



US00D925357S

(12) **United States Design Patent**  
**Bhat et al.**

(10) **Patent No.:** **US D925,357 S**  
(45) **Date of Patent:** **\*\* Jul. 20, 2021**

(54) **CONTAINER**

(71) Applicant: **PepsiCo, Inc.**, Purchase, NY (US)

(72) Inventors: **Advait Bhat**, White Plains, NY (US);  
**Girish Nilkanth Deshpande**, Carmel, NY (US);  
**Maximiliano Rodriguez**, Hillside, NJ (US);  
**Benjamin Joseph Tantanella**, New York, NY (US);  
**Bruno Telesca**, Sandy Hook, CT (US);  
**Nathan Daniel Grubbs**, West Chester, OH (US);  
**Ryan Alan Klenke**, St. Henry, OH (US)

(73) Assignee: **PepsiCo, Inc.**, Purchase, NY (US)

(\*\*) Term: **15 Years**

(21) Appl. No.: **29/760,937**

(22) Filed: **Dec. 4, 2020**

**Related U.S. Application Data**

(63) Continuation of application No. 29/697,241, filed on Jul. 5, 2019, now Pat. No. Des. 904,889.

(51) **LOC (13) Cl.** ..... **09-07**

(52) **U.S. Cl.**  
USPC ..... **D9/456; D9/529**

(58) **Field of Classification Search**

USPC ..... D9/417, 424, 428, 434, 435, 436, 439,  
D9/440, 447, 448, 454, 455, 456, 500,  
D9/502-504, 516, 519, 529, 549, 558,  
D9/715; D23/207-209, 233-237, 249,  
D23/259.2, 262-266, 268, 269; D24/121,  
D24/127, 129, 194, 196; D8/397, 399;  
D32/32, 33; D3/203.2; D7/300.1, 387,  
D7/388, 391, 392, 392.1, 393, 394, 395,  
D7/396.1, 396.2, 396.6, 397, 398, 403,  
D7/509, 510, 511, 566, 624.1, 625, 672,  
D7/900

CPC ..... B65C 11/02; B65B 31/00; B65B 7/28;  
A61M 1/0003; A61M 1/0011; A61J  
1/1418; A61J 1/14; A61J 1/1412; B65D  
81/2038; B65D 81/20; B65D 85/804;

B65D 25/082; B65D 1/00; B65D 1/10;  
B65D 23/00; B65D 81/3211; B65D  
2501/00; B65D 2501/0009; B65D  
43/0231; B65D 53/02; F16L 11/00; F16L  
25/01; F16L 17/10; A47J 31/407; A47J  
31/00; B67D 3/0019; A23L 2/56; A01G  
31/02; A01G 9/0293

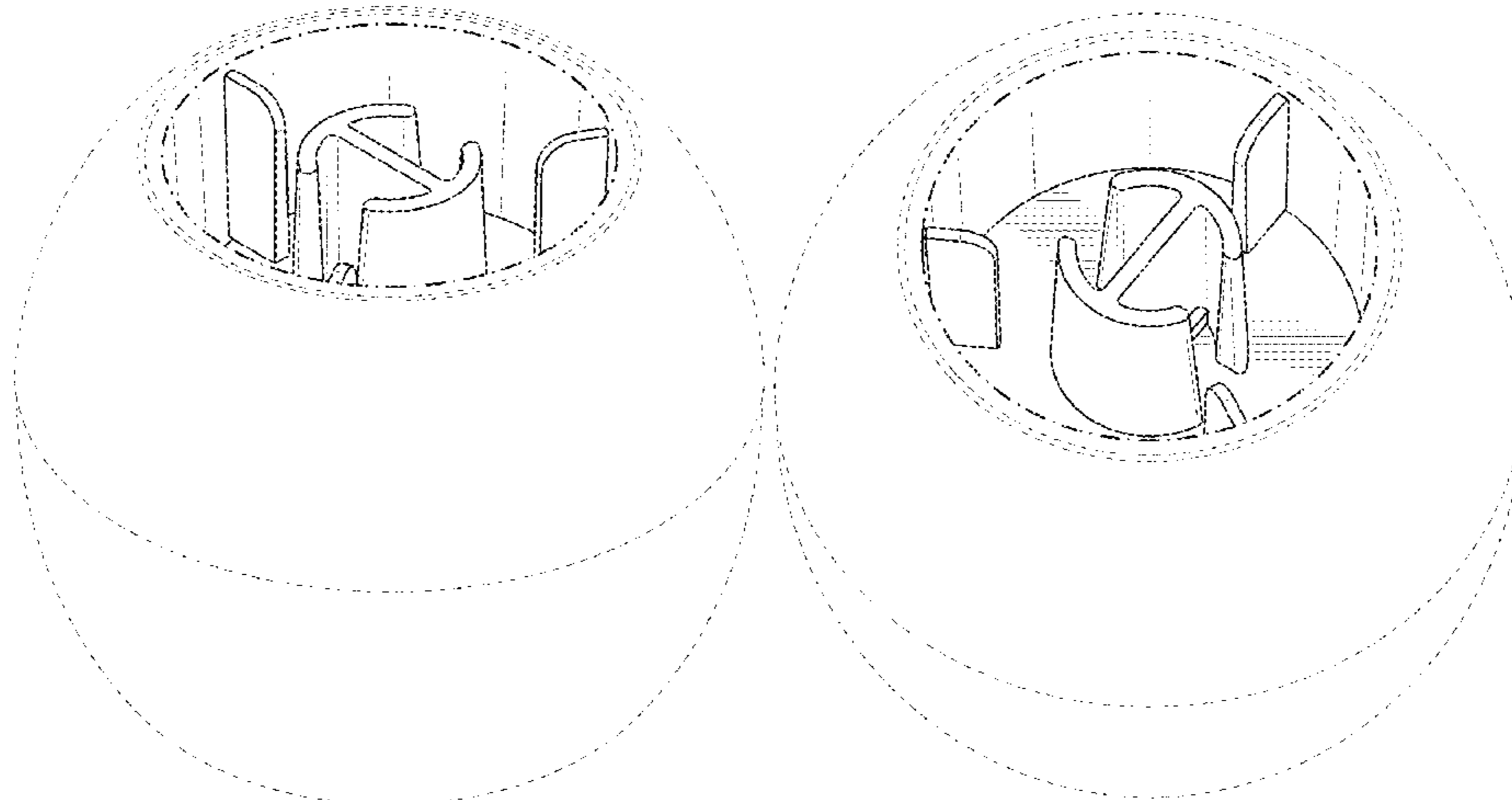
See application file for complete search history.

(56)

**References Cited**

**U.S. PATENT DOCUMENTS**

D32,681 S	5/1900	Morgenthaler
D34,342 S	4/1901	Brown
2,695,614 A	11/1954	Lockhart
D218,399 S	8/1970	Campbell et al.
3,542,230 A	11/1970	Campbell et al.
D232,415 S	8/1974	Matsumoto
D232,915 S	9/1974	Becker
D247,610 S	3/1978	Stanley
D262,192 S	12/1981	Wedge
D278,033 S	3/1985	Barkan et al.
D286,858 S	11/1986	Giorgio
D297,799 S	9/1988	Hammer
D316,035 S	4/1991	Pepitone
D317,697 S	6/1991	Lage
D340,625 S	10/1993	Wang
D366,398 S	1/1996	Alessi Anghini et al.
D397,922 S	9/1998	Gort-Barten
D402,889 S	12/1998	Bryce
D405,693 S	2/1999	Bretz et al.
D407,954 S	4/1999	Lehn
D410,364 S	6/1999	Ramirez et al.
D414,238 S	9/1999	Kupperman
6,105,799 A	8/2000	Takagawa
D437,188 S	2/2001	Thackray
6,409,035 B1	6/2002	Darr et al.
D464,263 S	10/2002	White et al.
D465,386 S	11/2002	Wang et al.
D473,108 S	4/2003	De Visser et al.
D473,379 S	4/2003	Moon
D473,431 S	4/2003	Schwamkrug
D480,935 S	10/2003	Farce
D506,648 S	6/2005	MacWilliam
D529,379 S	10/2006	Mengeu et al.
D534,826 S	1/2007	Jossern et al.
D567,021 S	4/2008	Bach et al.
D567,084 S *	4/2008	Batton ..... D9/440
D569,685 S	5/2008	Liu
D581,278 S	11/2008	Shibata et al.



D588,870	S	3/2009	Rasmussen	
D598,706	S	8/2009	Neace et al.	
D605,893	S	12/2009	Reid	
D612,245	S	3/2010	Canamasas Puigbo	
D626,415	S	11/2010	Kolano	
D637,466	S	5/2011	Singleton et al.	
D647,364	S	10/2011	Audette et al.	
D650,677	S	12/2011	Wurster et al.	
D654,147	S	2/2012	Bell et al.	
D661,549	S	6/2012	Kemper et al.	
D662,767	S	7/2012	Hotell et al.	
D664,011	S	7/2012	Affonso	
D668,150	S	10/2012	Crapser et al.	
D676,717	S	2/2013	Ceder	
8,365,913	B2	2/2013	Ceder	
8,365,941	B2	2/2013	Mayer	
D679,597	S	4/2013	Tamarindo	
D688,531	S	8/2013	Ceder	
8,579,149	B2	11/2013	Henke et al.	
8,584,879	B2	11/2013	Melrose et al.	
D699,522	S	2/2014	Wong	
D702,492	S	4/2014	Marina et al.	
D703,000	S	4/2014	Marina et al.	
D703,487	S	4/2014	Marina et al.	
D710,485	S	8/2014	Nudo	
D713,722	S	9/2014	Miller	
D716,653	S	11/2014	Balembois	
D717,651	S	11/2014	Marina et al.	
D718,136	S	11/2014	Harrity	
D734,985	S	7/2015	Furia	
D735,038	S	7/2015	Tamarindo	
D747,936	S	1/2016	Chitayat et al.	
D756,173	S	5/2016	Decaris et al.	
D761,628	S	7/2016	Chitayat et al.	
D764,291	S	8/2016	Lemke	
D771,435	S	11/2016	Cutuli et al.	
D771,490	S	11/2016	Junkel	
D776,536	S	1/2017	Emoff et al.	
D794,391	S	8/2017	Palin et al.	
D795,644	S	8/2017	Cortadellas et al.	
D803,060	S	11/2017	Marina et al.	
D808,812	S	1/2018	Talsania et al.	
D815,942	S	4/2018	Marina et al.	
D826,718	S	8/2018	The	
D840,223	S	2/2019	Marina et al.	
D858,289	S	9/2019	Talsania et al.	
D858,292	S	9/2019	Zhang	
D858,297	S	9/2019	Cortadellas et al.	
D871,832	S	1/2020	Marina et al.	
D876,818	S	3/2020	Lieberman et al.	
RE48,037	E *	6/2020	Marina .....	B65D 41/18 D9/454
D887,272	S	6/2020	Bhat et al.	
D889,972	S	7/2020	Hesse	
D891,924	S	8/2020	Mitchell	
D891,938	S	8/2020	Weinrich	
D892,622	S	8/2020	Sanders et al.	
D893,244	S	8/2020	Marina et al.	
D899,934	S *	10/2020	Lee .....	D9/447
D904,190	S *	12/2020	Bhat .....	D9/454
D904,889	S *	12/2020	Bhat .....	D9/529
2004/0124192	A1	7/2004	Teller	
2007/0084821	A1	4/2007	Bysick et al.	
2010/0055252	A1	3/2010	Marina et al.	
2011/0166910	A1	7/2011	Marina et al.	
2012/0183657	A1	7/2012	Marina et al.	

2019/0375574	A1	12/2019	Anderson et al.	
2020/0107670	A1	4/2020	Rivera	
2020/0207535	A1	7/2020	Bhat et al.	
2020/0385192	A1*	12/2020	Marina .....	B65D 81/3211
2021/0047105	A1*	2/2021	Bhat .....	B65D 25/082

FOREIGN PATENT DOCUMENTS

WO WO 2013103589 7/2013

OTHER PUBLICATIONS

Drinkfinity Unboxing Review: Announced Jul. 15, 2015 [online]. Site Visited [Mar. 23, 2021]. Available from Internet URL: <https://www.youtube.com/watch?v=P0rp1xbSAD0>.\*

DrinkFinity: Announced Feb. 20, 2018 [online]. Site Visited [Mar. 23, 2021]. Available from Internet URL: <https://www.pepsico.com/news/press-release/new-drinkfinity-encourages-people-to-peel-pop-and-shake-to-create-personalized-b02202018>.\*

Costa, Julio. Unboxing e Review—DrinkFinity, dated Jul. 20, 2015. Available online at: <https://www.youtube.com/watch?v=P0rp1xbSAD0>.

“New Drinkfinity Encourages People to “Peel, Pop and Shake” to Create Personalized Beverages for Every Lifestyle at Any Time of Day,” dated Feb. 20, 2018. Available online at <https://www.pepsico.com/news/press-release/new-drinkfinity-encourages-people-to-peel-pop-and-shake-to-create-personalized-b02202018>.

\* cited by examiner

*Primary Examiner* — Catherine S Posthauer  
(74) *Attorney, Agent, or Firm* — Sterne, Kessler, Goldstein & Fox P.L.L.C.

(57) CLAIM

The ornamental design for a container, as shown and described.

DESCRIPTION

FIG. 1 is a top perspective view of a container showing the claimed design;  
FIG. 2 is a another top perspective view thereof;  
FIG. 3 is a bottom perspective view thereof;  
FIG. 4 is a front view thereof;  
FIG. 5 is a rear view thereof;  
FIG. 6 is a left side view thereof;  
FIG. 7 is a right side view thereof;  
FIG. 8 is a top view thereof; and,  
FIG. 9 is a bottom view thereof.  
The dashed broken lines in the figures show portions of the container that form no part of the claimed design.  
The dot-dash broken lines in the figures show boundaries that form no part of the claimed design.

1 Claim, 6 Drawing Sheets

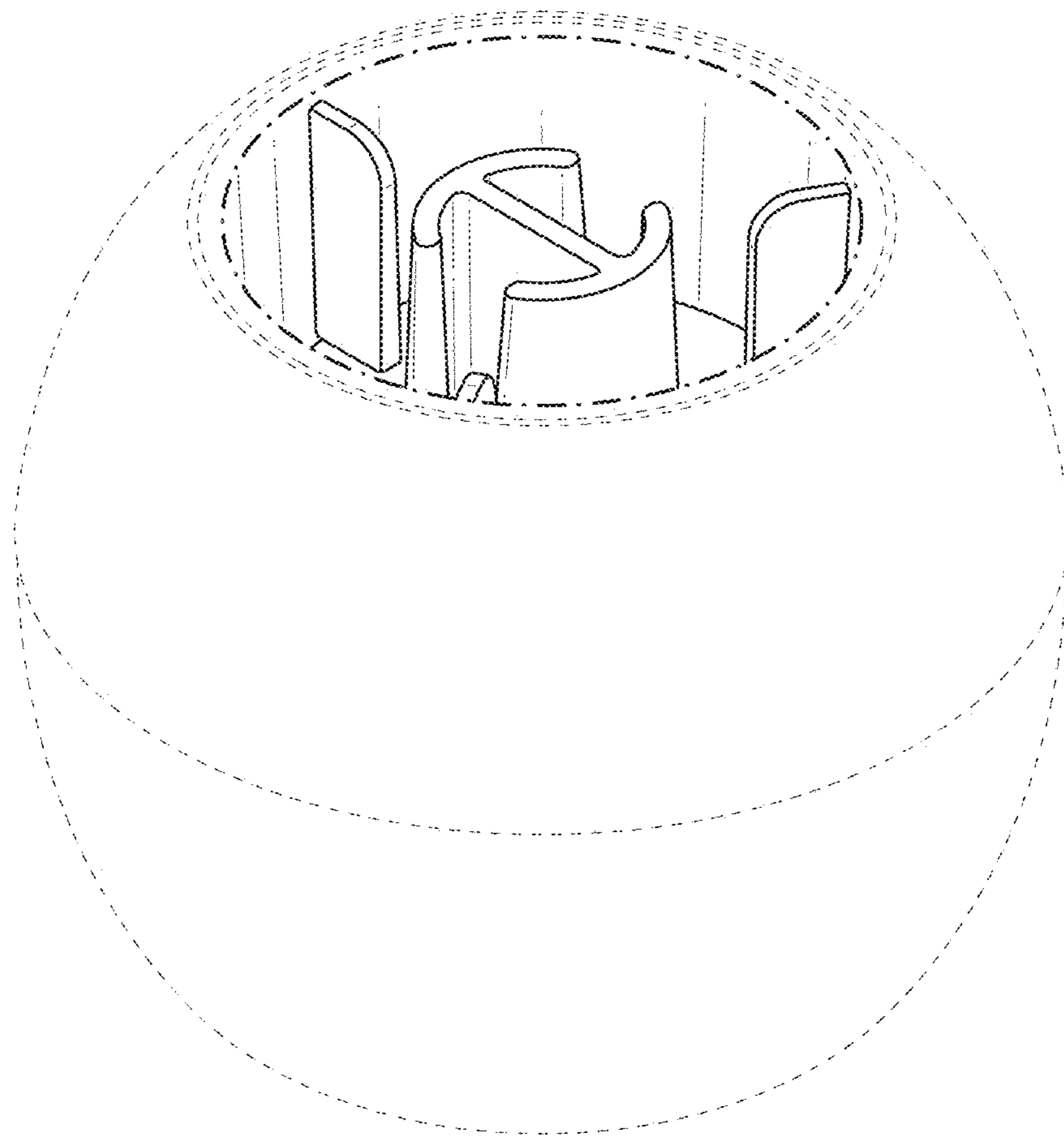


FIG. 1



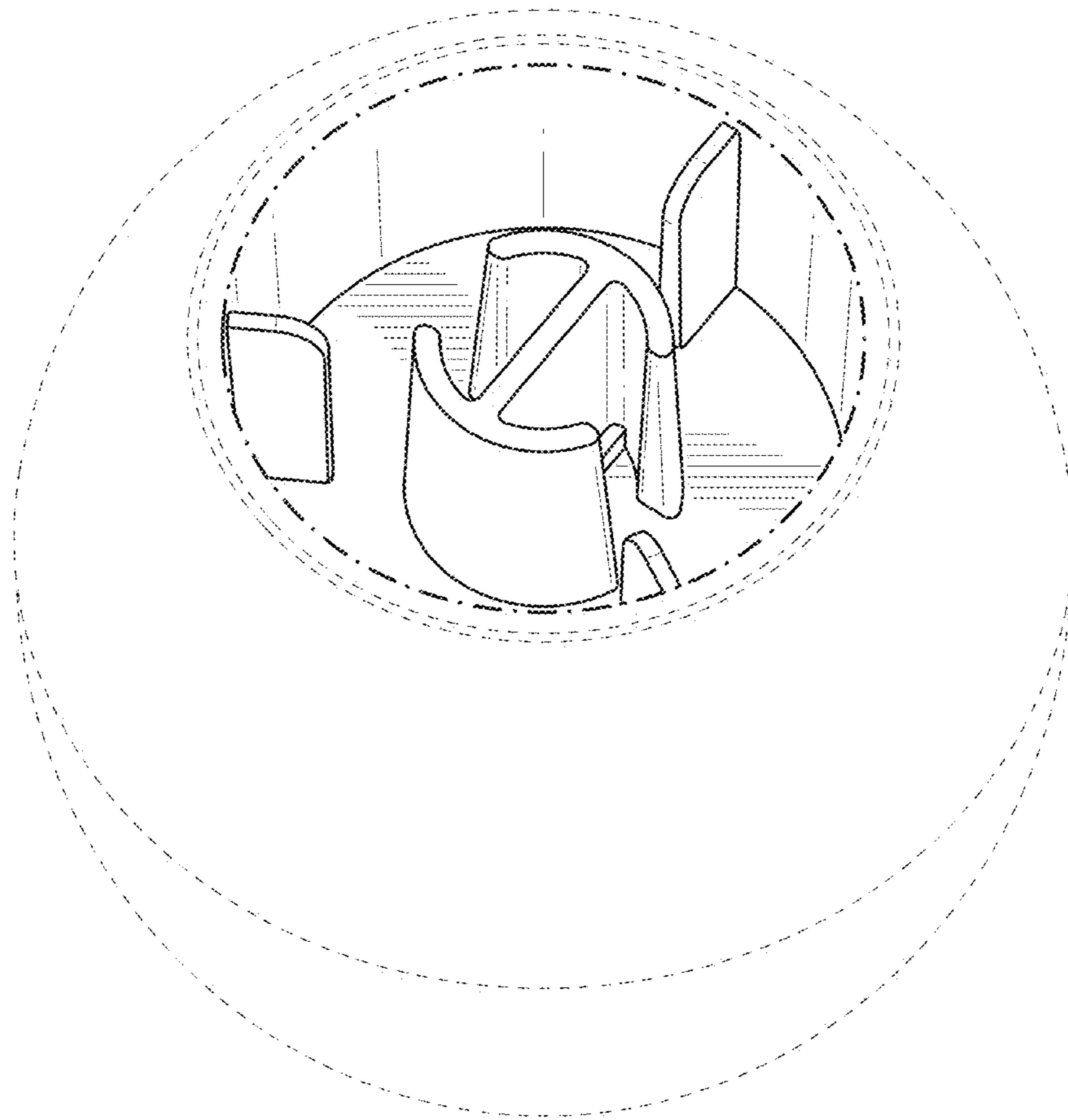
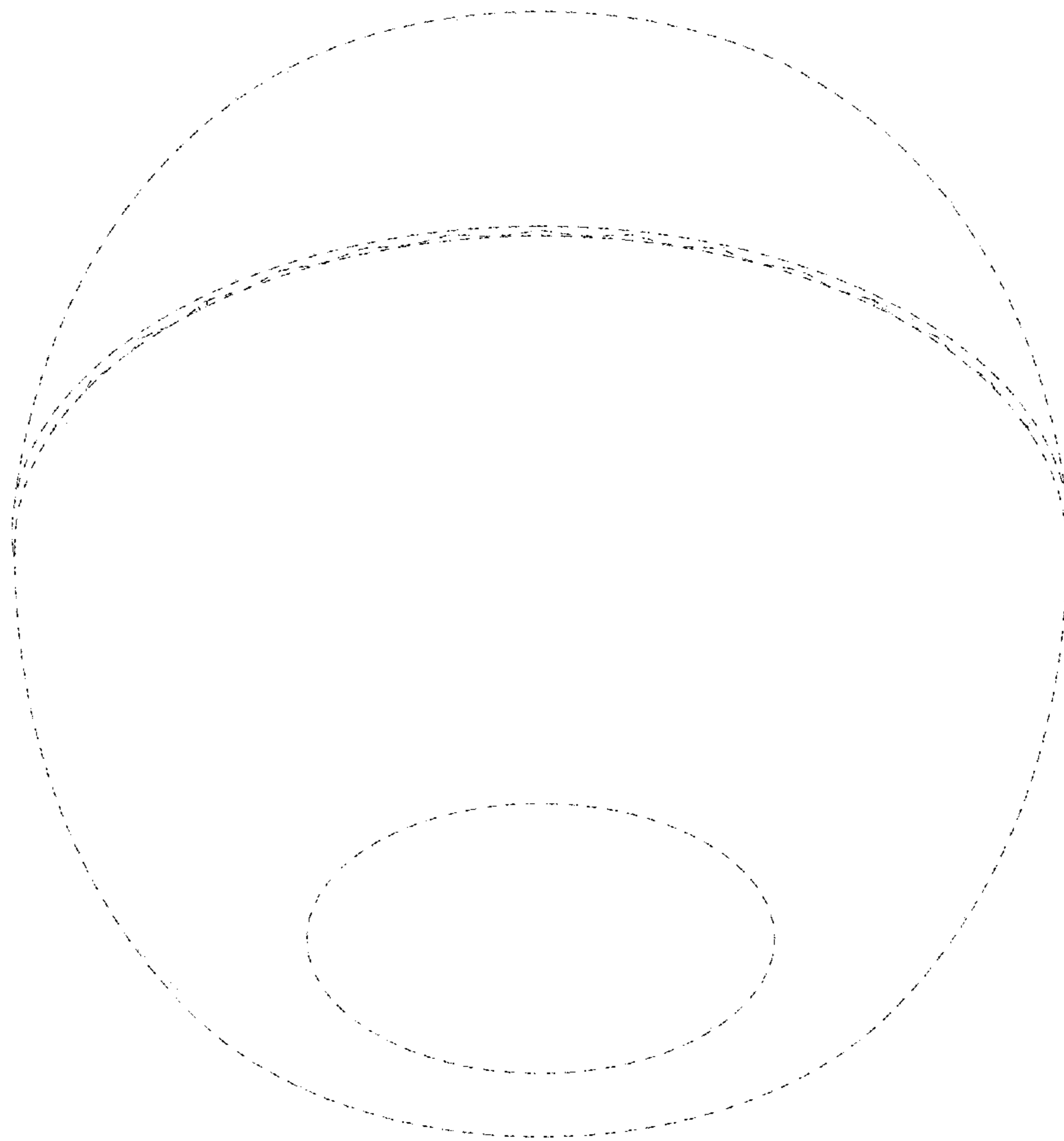
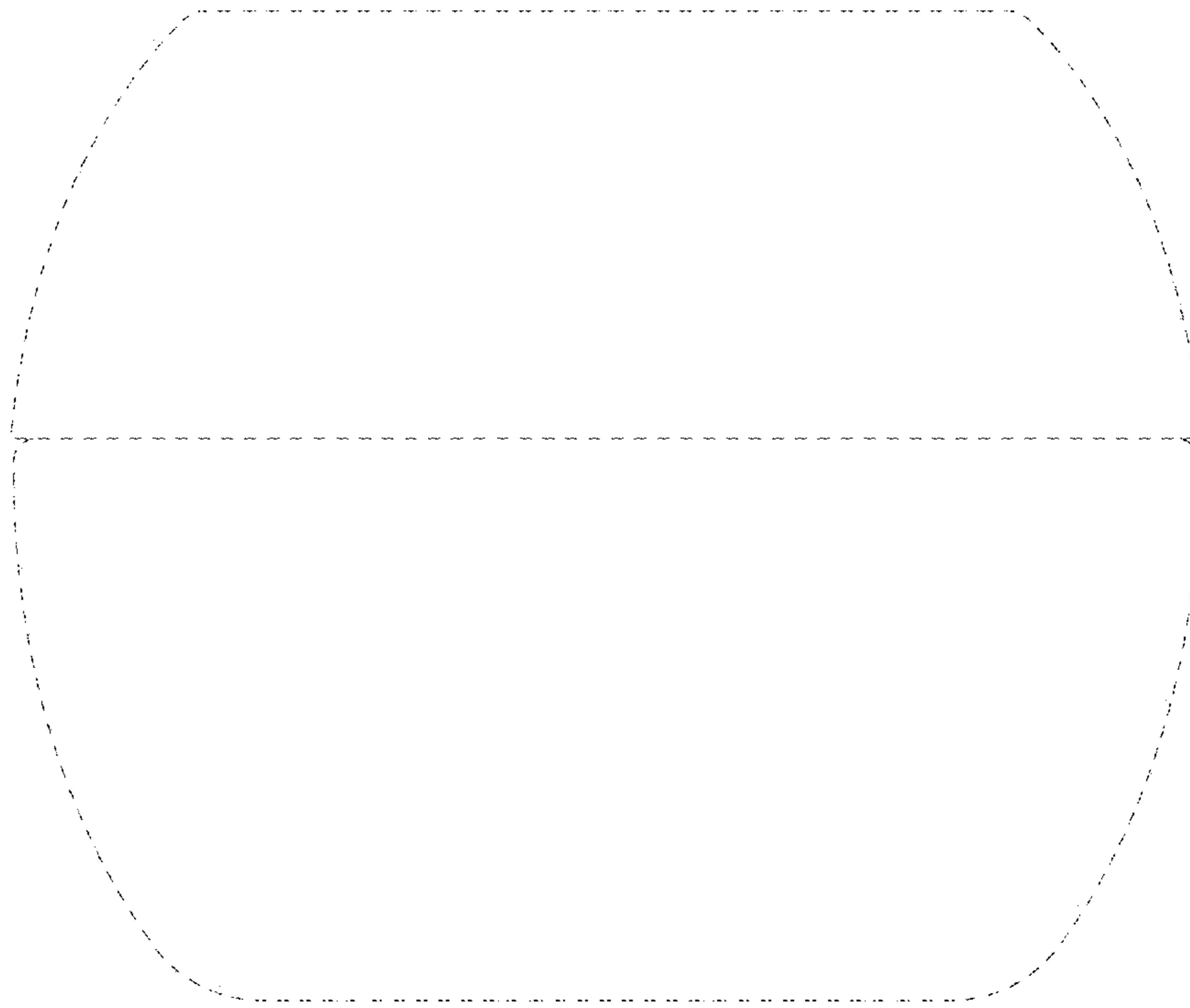


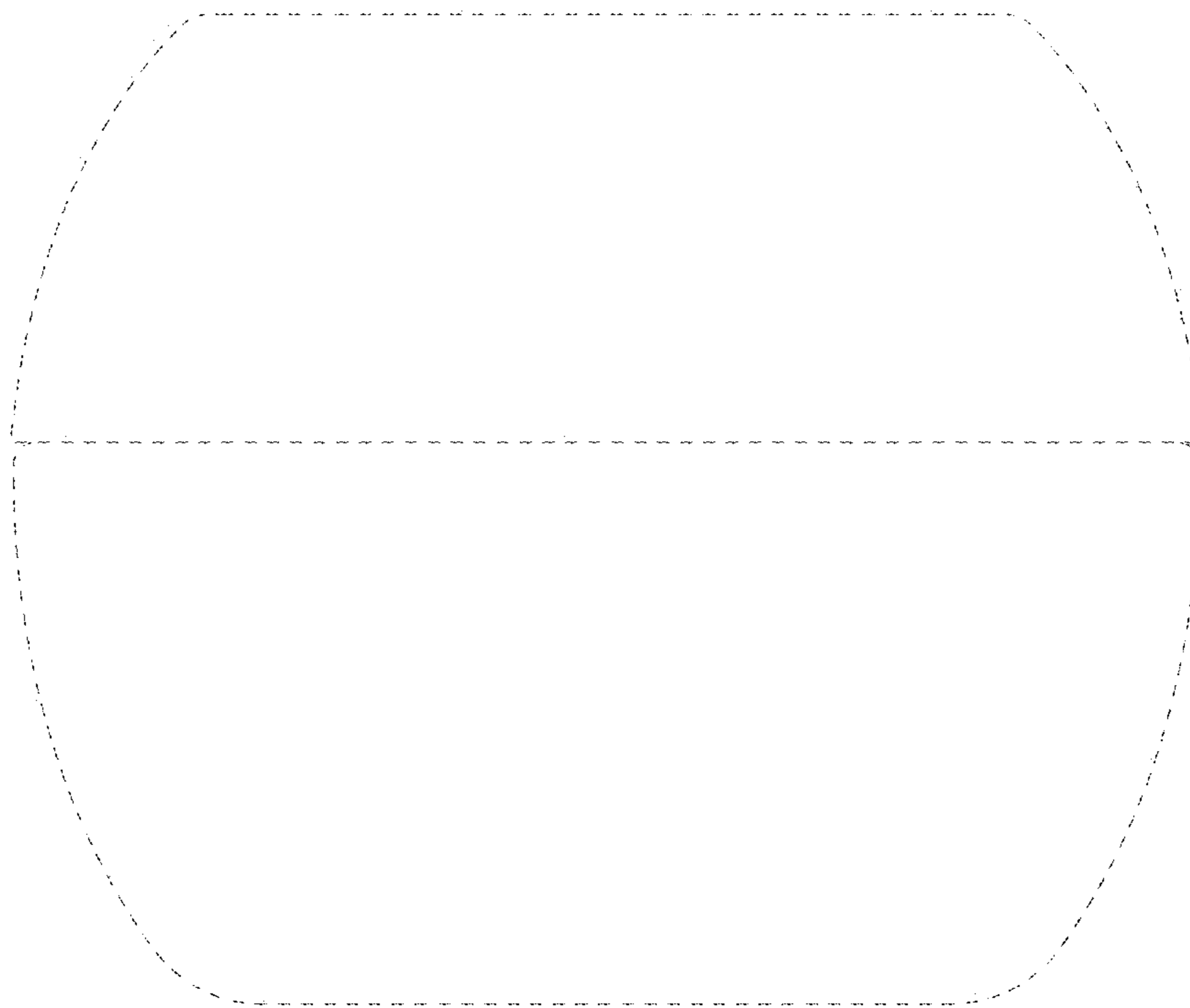
FIG. 2



**FIG. 3**



**FIG. 4**



**FIG. 5**



**FIG. 6**



**FIG. 7**

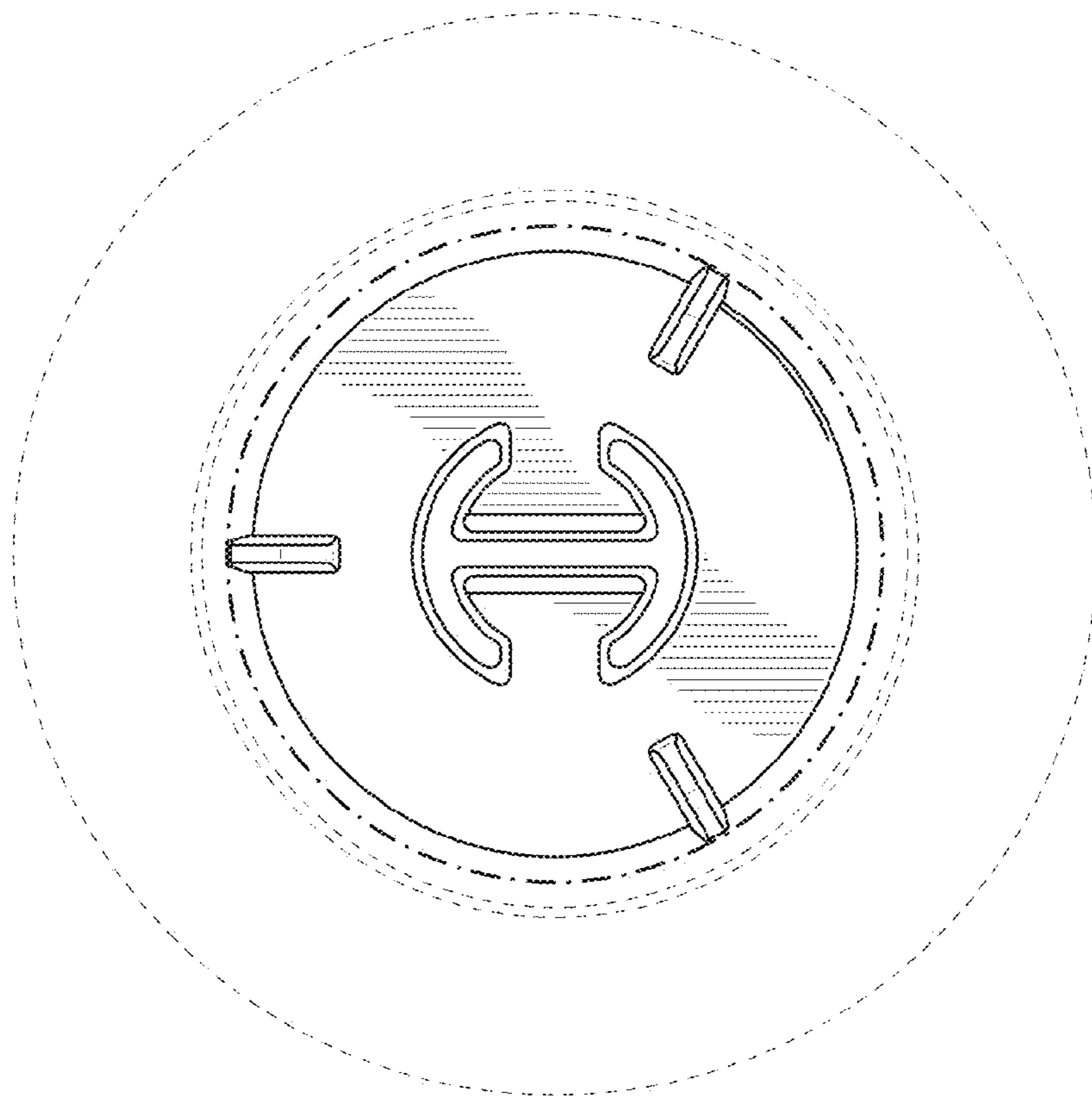


FIG. 8

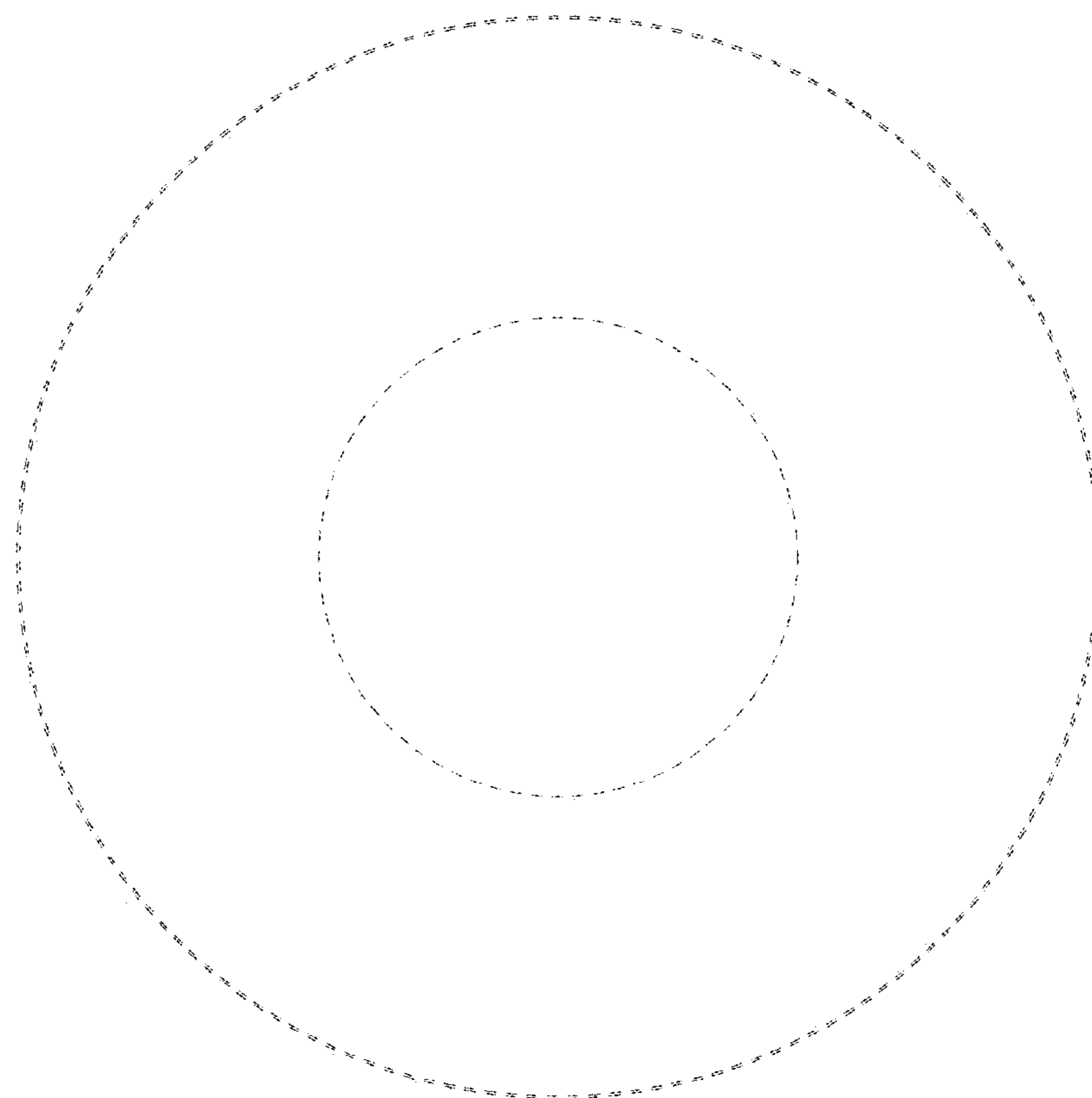


FIG. 9