



US00D925356S

(12) **United States Design Patent** (10) **Patent No.:** **US D925,356 S**
Suh (45) **Date of Patent:** **** Jul. 20, 2021**

(54) **WINCH HANDLE OPERATED BOTTLE CLOSURE**

Primary Examiner — Catherine S Posthauer
(74) *Attorney, Agent, or Firm* — Seth M. Reiss, AAL, ALLLC

(71) Applicant: **Yang Suh**, Honolulu, HI (US)

(72) Inventor: **Yang Suh**, Honolulu, HI (US)

(**) Term: **15 Years**

(21) Appl. No.: **29/717,464**

(22) Filed: **Dec. 17, 2019**

(57) **CLAIM**

I claim the ornamental design for a winch handle operated bottle closure, substantially as shown and described.

Related U.S. Application Data

(63) Continuation-in-part of application No. 15/439,959, filed on Feb. 23, 2017, now abandoned.

(51) **LOC (13) Cl.** **09-07**

(52) **U.S. Cl.**
USPC **D9/436; D9/439**

(58) **Field of Classification Search**
USPC D7/509, 510, 511, 624.1, 400, 387, 391, D7/392, 392.1, 393, 396.1, 396.2;
(Continued)

(56) **References Cited**

U.S. PATENT DOCUMENTS

1,222,780 A 4/1917 McElroy
D240,022 S * 5/1976 Laurizio D9/439
(Continued)

FOREIGN PATENT DOCUMENTS

EM 0 687 635 A1 12/1995

OTHER PUBLICATIONS

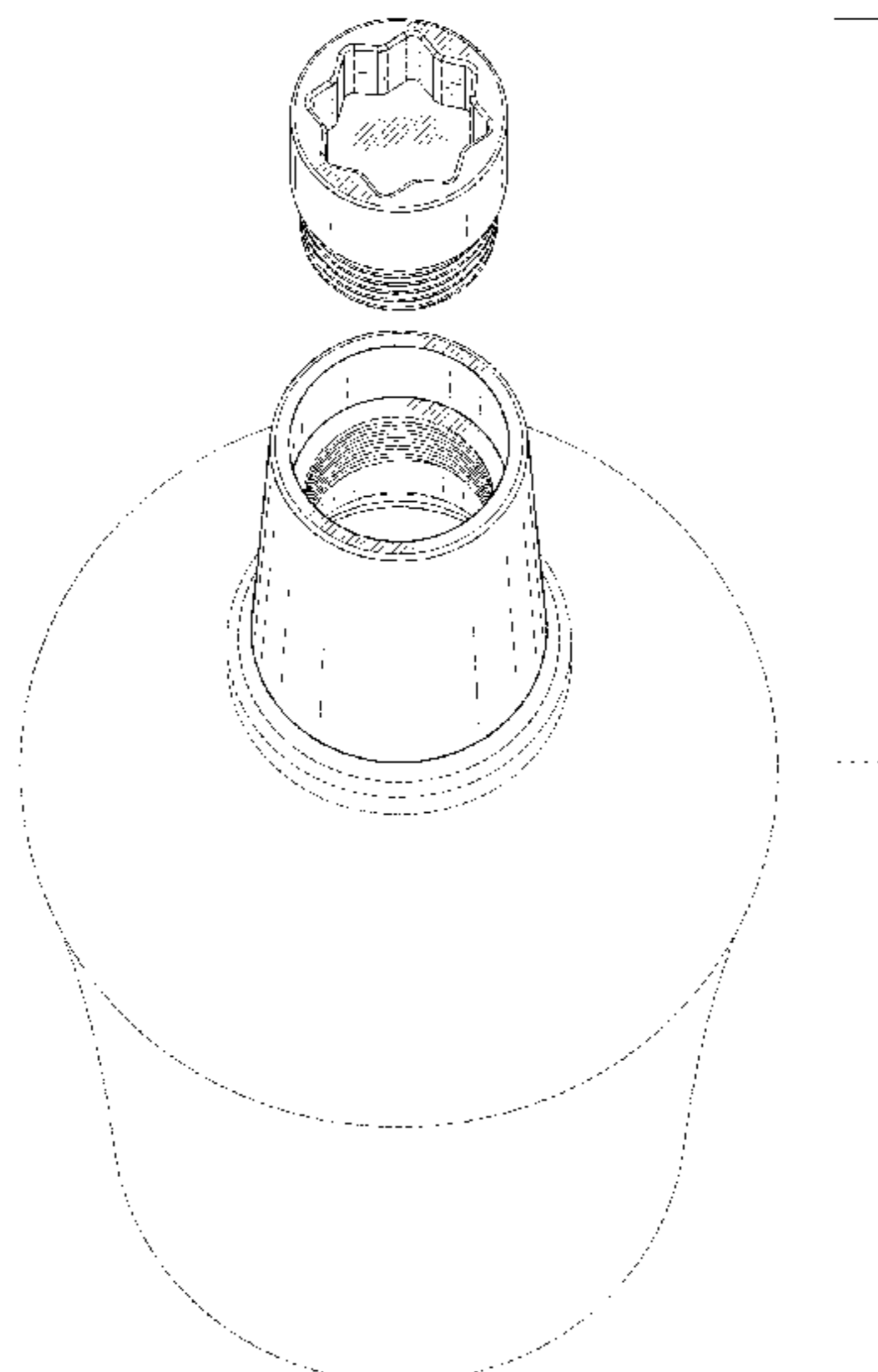
Cap for Deck Fill Winch Handle Socket: Site Visited [May 25, 2021]. Available from Internet URL: <https://budgetmarine.com/catalog/deck-interior-hardware/deck-hardware/deck-fills/cap-bk-plast-f-deck-fill-winch-handle-socket/>.*

(Continued)

DESCRIPTION

FIG. 1 is a top perspective view of a winch handle operated bottle closure, showing the cap portion separated from the sheath portion, and further showing the sheath portion in a position of use with an exemplary bottle;
FIG. 2 is a bottom perspective view thereof, showing the cap and sheath portion assembled, and further showing the exemplary bottle removed to show aspects of the design not visible when combined;
FIG. 3 is an exploded bottom perspective view thereof;
FIG. 4 is a top plan view of the cap portion and sheath portion, shown separately and side by side;
FIG. 5 is a bottom plan view thereof;
FIG. 6 is a top plan view of the closure and sheath portions shown in an assembled position of use;
FIG. 7 is a bottom plan view thereof;
FIG. 8 is an exploded left side elevation view thereof, the right side being identical thereto;
FIG. 9 is an assembled right side elevation view thereof, the left side being identical thereto;
FIG. 10 is an exploded front elevation view thereof, the back being identical thereto; and,
FIG. 11 is an assembled back view thereof, the front being identical thereto, shown in a position of use with an exemplary bottle.
The broken lines are shown for the purpose of illustrating environmental subject matter of exemplary bottles and form no part of the claimed design.

1 Claim, 10 Drawing Sheets



(58) **Field of Classification Search**

USPC D9/434, 435, 436, 439, 445, 447, 454,
 D9/451, 438, 440, 443, 452, 453, 686,
 D9/723, 724; D23/259, 260, 261, 209,
 D23/210; D24/162, 127; D12/218, 202,
 D12/317, 604-607; D28/76, 85, 91.1
 CPC ... B65D 1/00; B65D 1/02; B65D 1/10; B65D
 1/46; B65D 2585/56; B65D 2585/545;
 B65D 41/00; B65D 41/38; B65D 41/56;
 B65D 41/62; B65D 47/00; B65D 47/06;
 B65D 47/08; B65D 23/00; B65D
 51/1694; B65D 43/0212; B65D 43/0208;
 B65D 2543/00046; B65D 2543/00092;
 B65D 1/24; B65D 25/04; B65D 43/09;
 B65D 43/16; B65D 41/0485; A61J 1/00;
 A61J 1/1412; A61J 1/02; B21D 51/44;
 B29C 53/00; B67B 3/02

See application file for complete search history.

(56) **References Cited**

U.S. PATENT DOCUMENTS

D268,482 S * 4/1983 Mineo D9/439
 D328,252 S * 7/1992 Miyake D24/224

D346,640 S * 5/1994 Kim D23/209
 D349,648 S * 8/1994 Tirrell D9/439
 D507,744 S * 7/2005 Hierzer D9/440
 D546,181 S * 7/2007 Biesecker D9/453
 8,011,276 B2 * 9/2011 Varne B67B 7/04
 81/3.45
 8,794,465 B2 8/2014 Okoniewski
 D732,389 S * 6/2015 Nickel D9/453
 D852,041 S * 6/2019 Aviles D9/436
 D852,929 S * 7/2019 Nelson D23/209
 D867,884 S * 11/2019 Byron D9/454
 2008/0073383 A1 * 3/2008 McDonald B65D 47/06
 222/500
 2017/0259964 A1 * 9/2017 Suh B65D 41/0485
 2020/0180926 A1 * 6/2020 Suh B67B 3/2066

OTHER PUBLICATIONS

Cap for Deck Fill Winch Handle Socket:<https://budgetmarine.com/catalog/deck-interior-hardware/deck-hardware/deck-fills/cap-alu-f-deck-fill-winch-handle-socket/>.*

Rutgerson Boat Deck Filler Cap: Announced Sep. 10, 2016 [online]. Site Visited [May 25, 2021]. Available from Internet URL: <https://www.nauticexpo.com/prod/rutgerson/product-22026-478384.html>.*

* cited by examiner

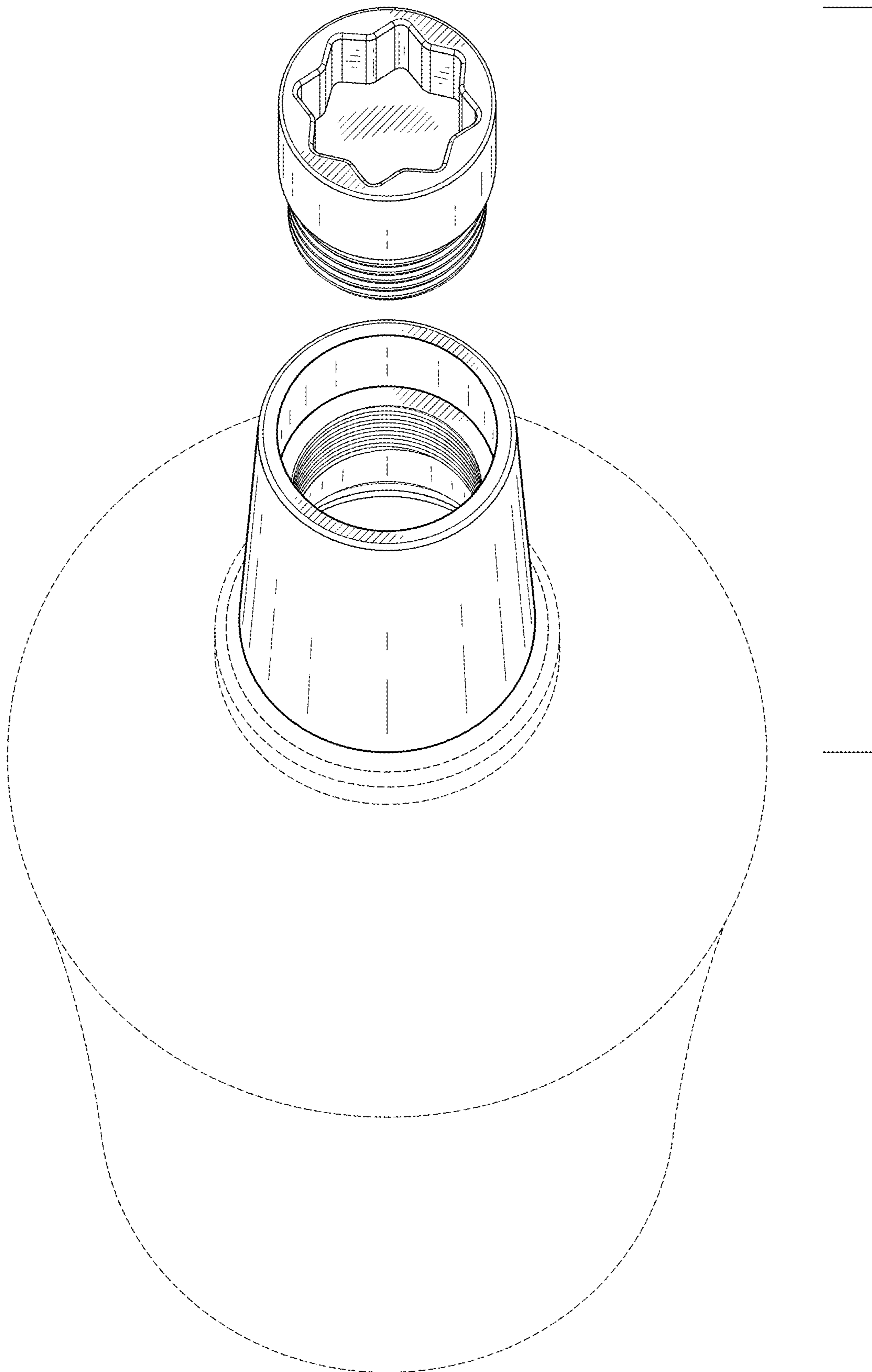


FIG. 1

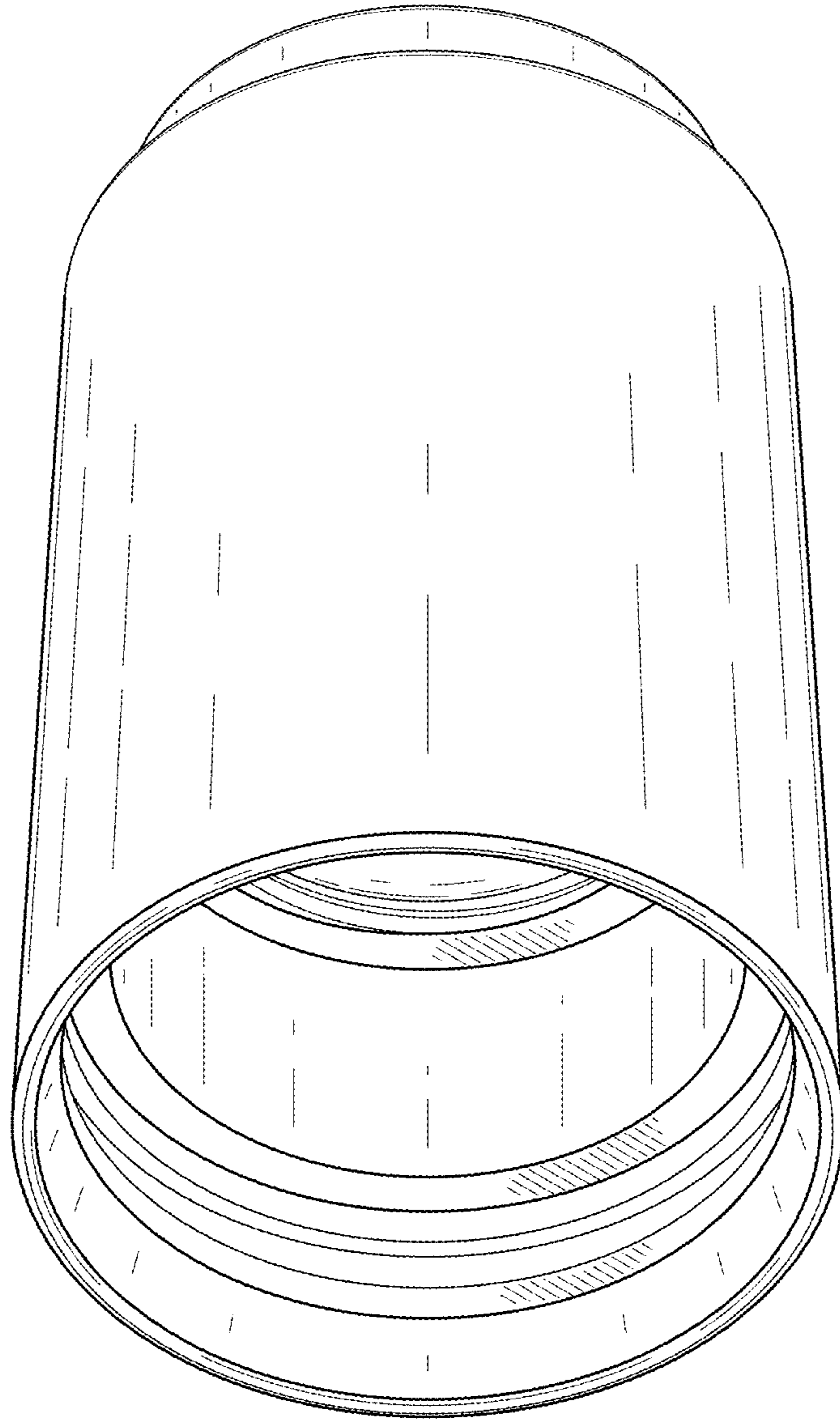


FIG. 2

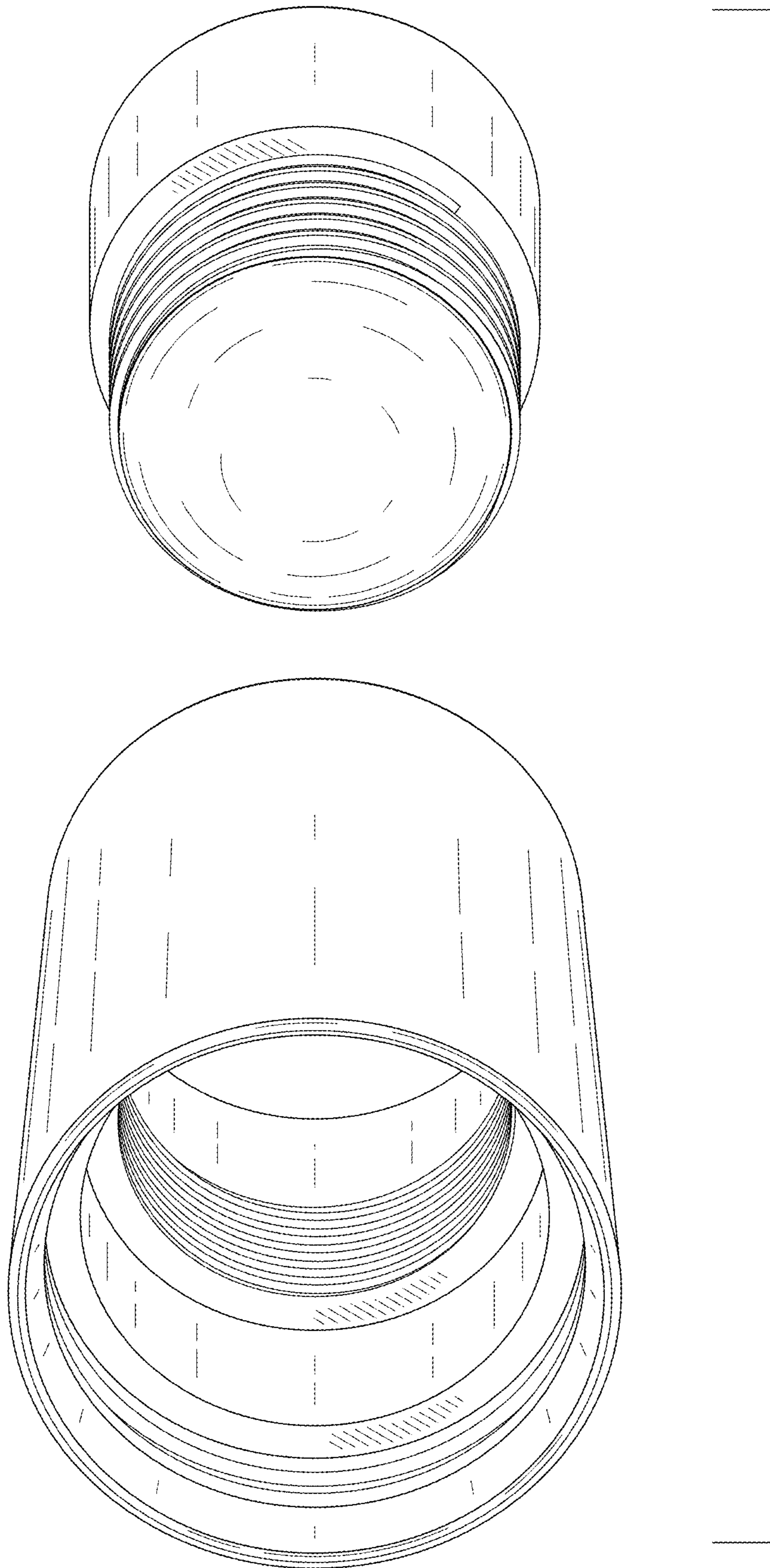


FIG. 3

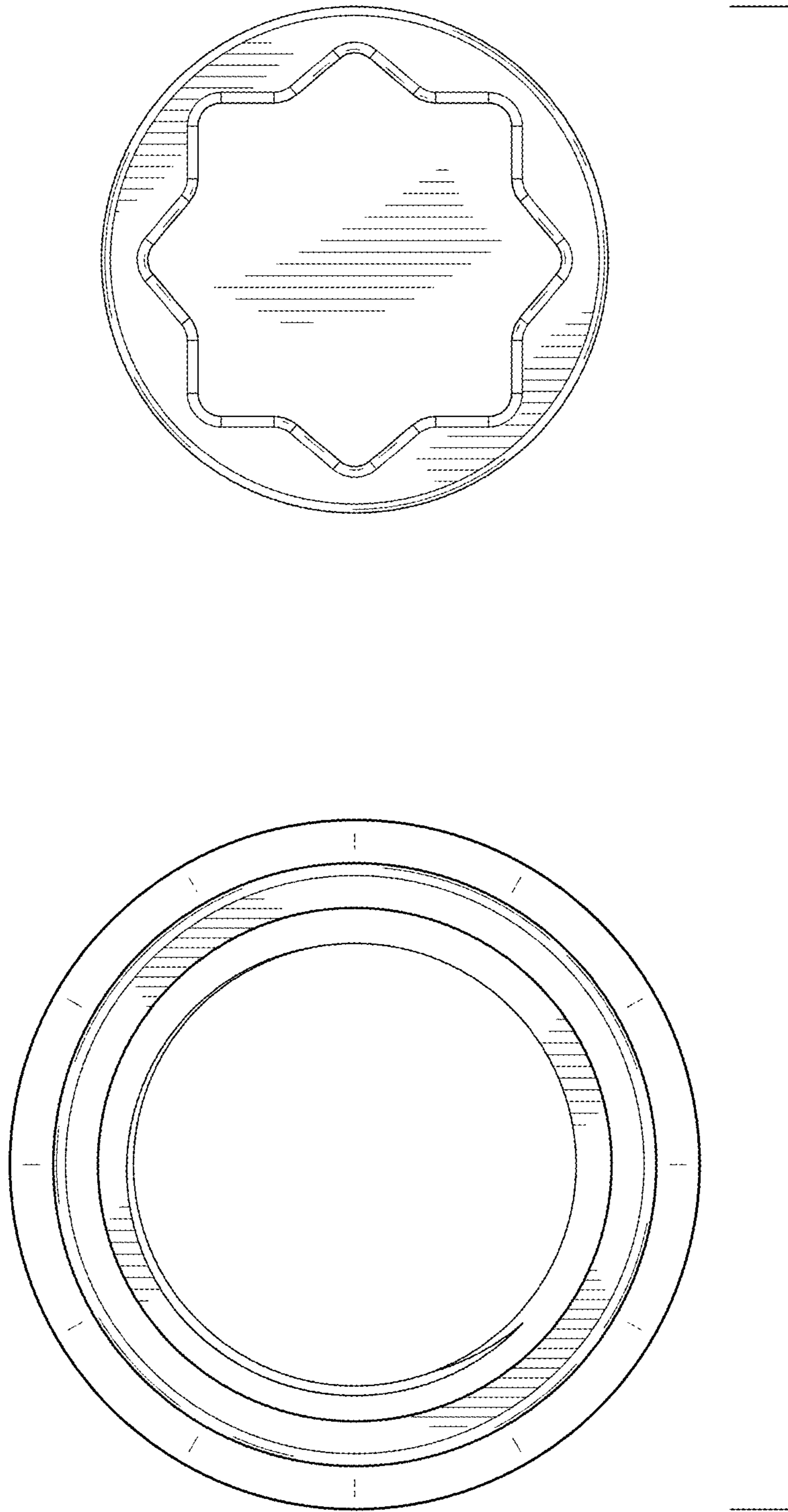


FIG. 4

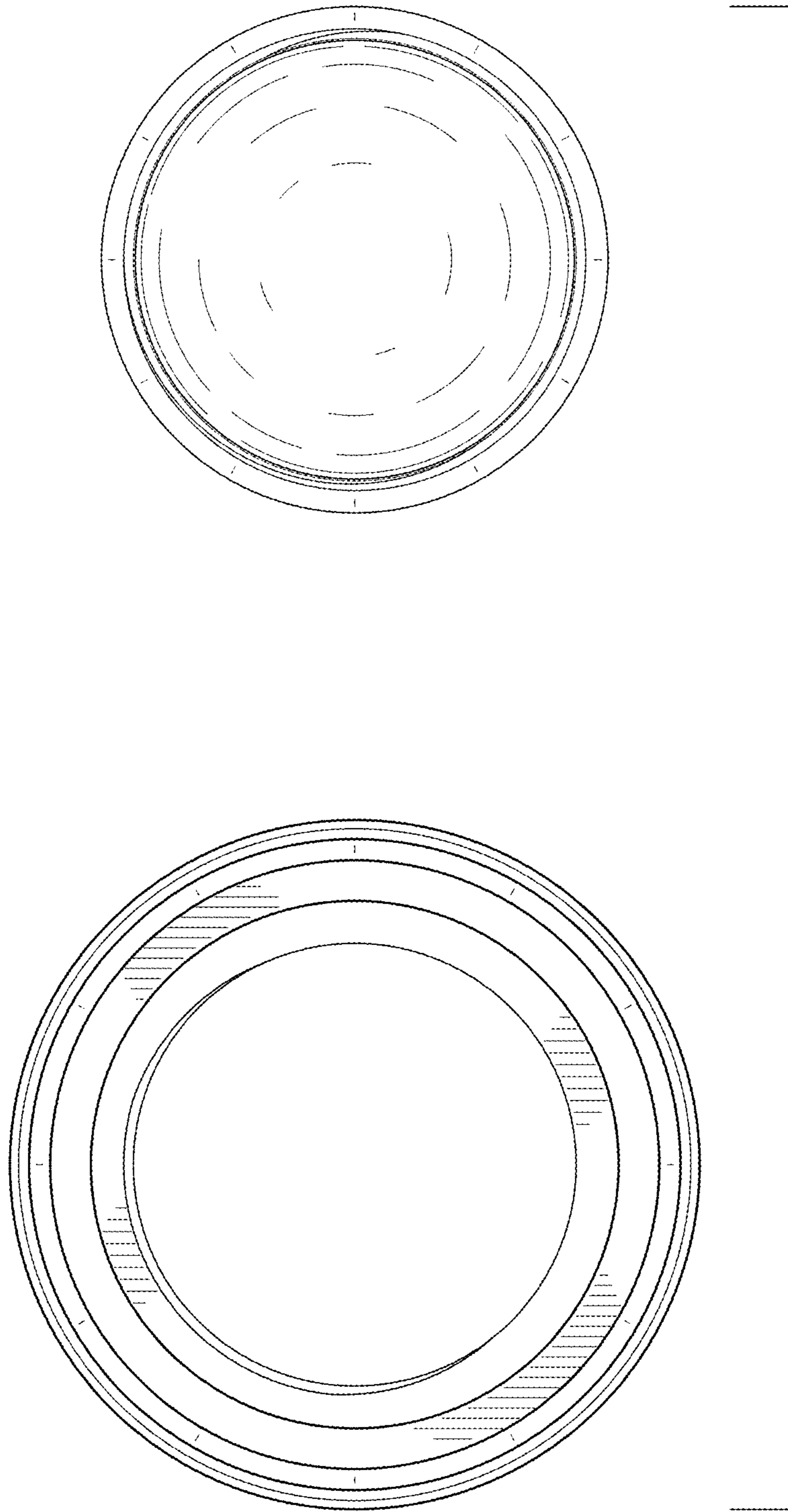


FIG. 5

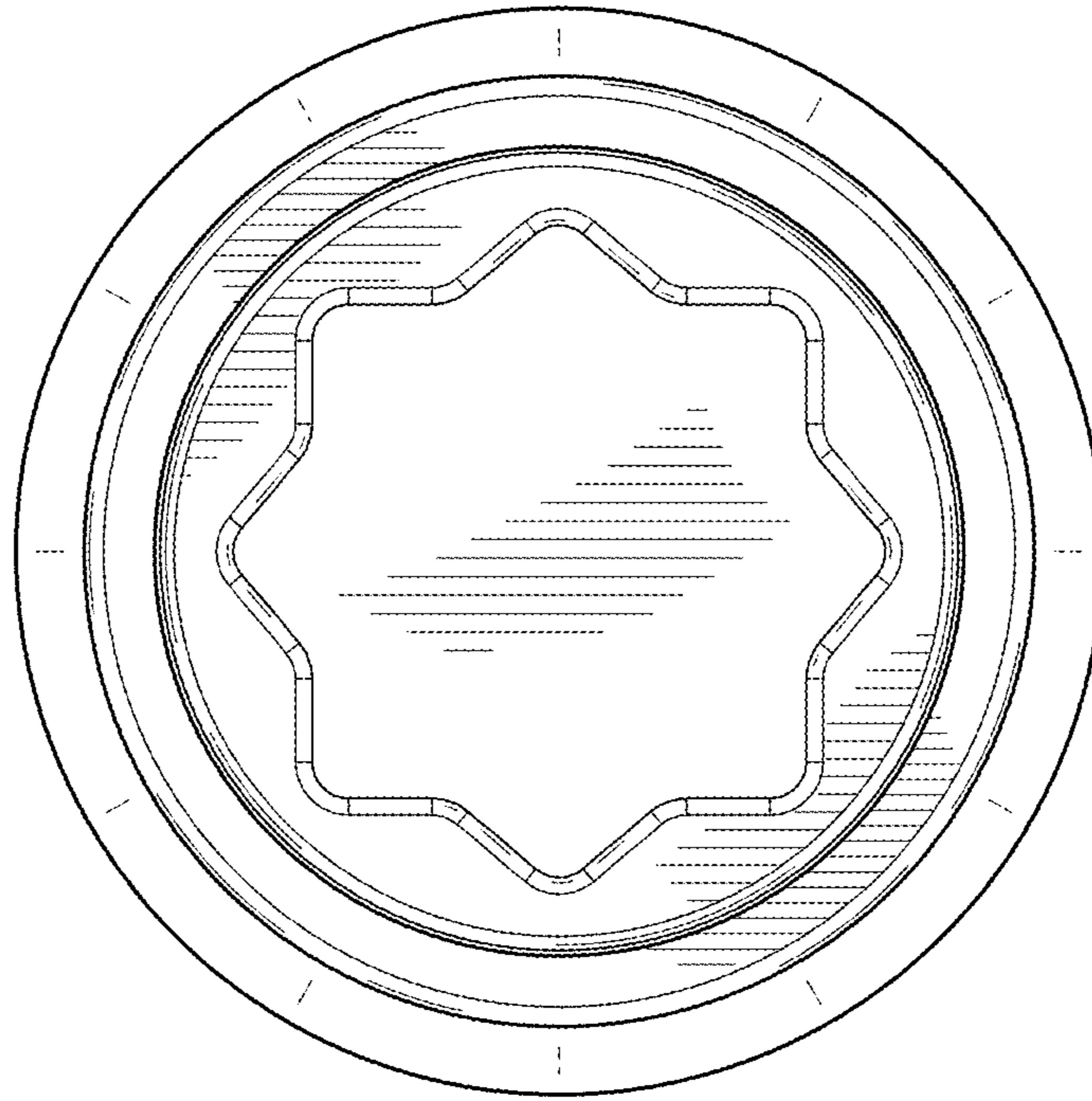


FIG. 6

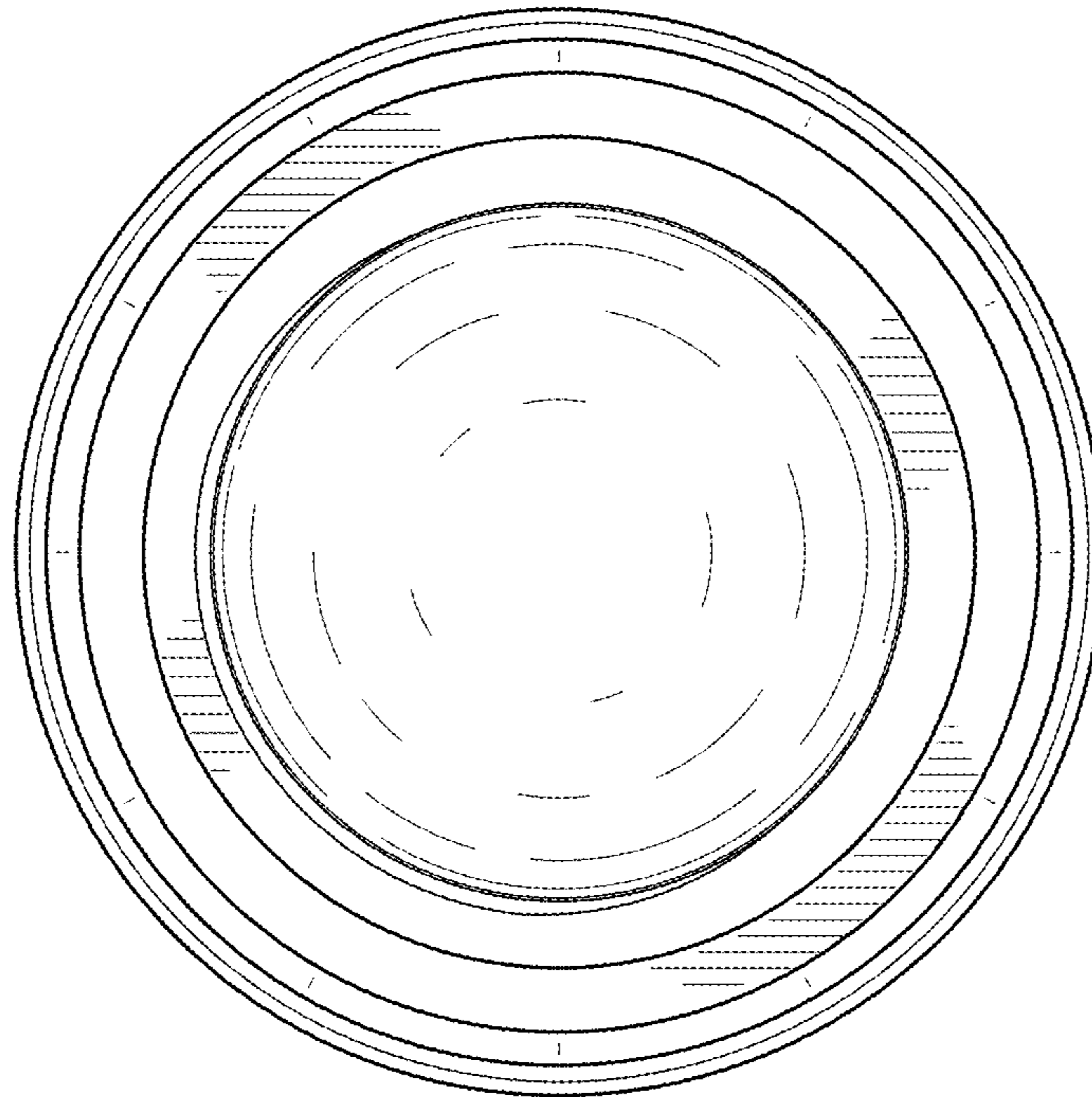


FIG. 7

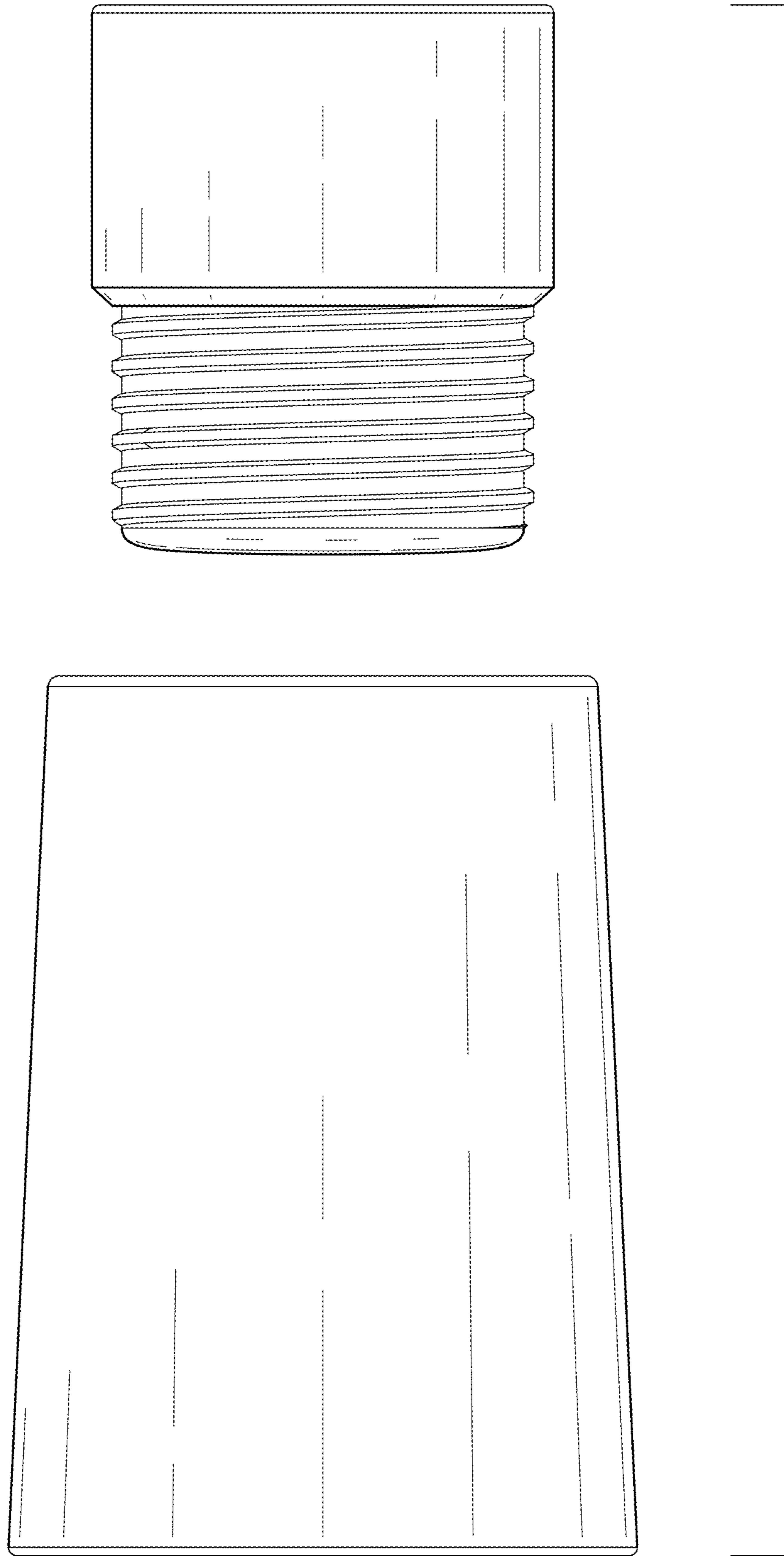


FIG. 8

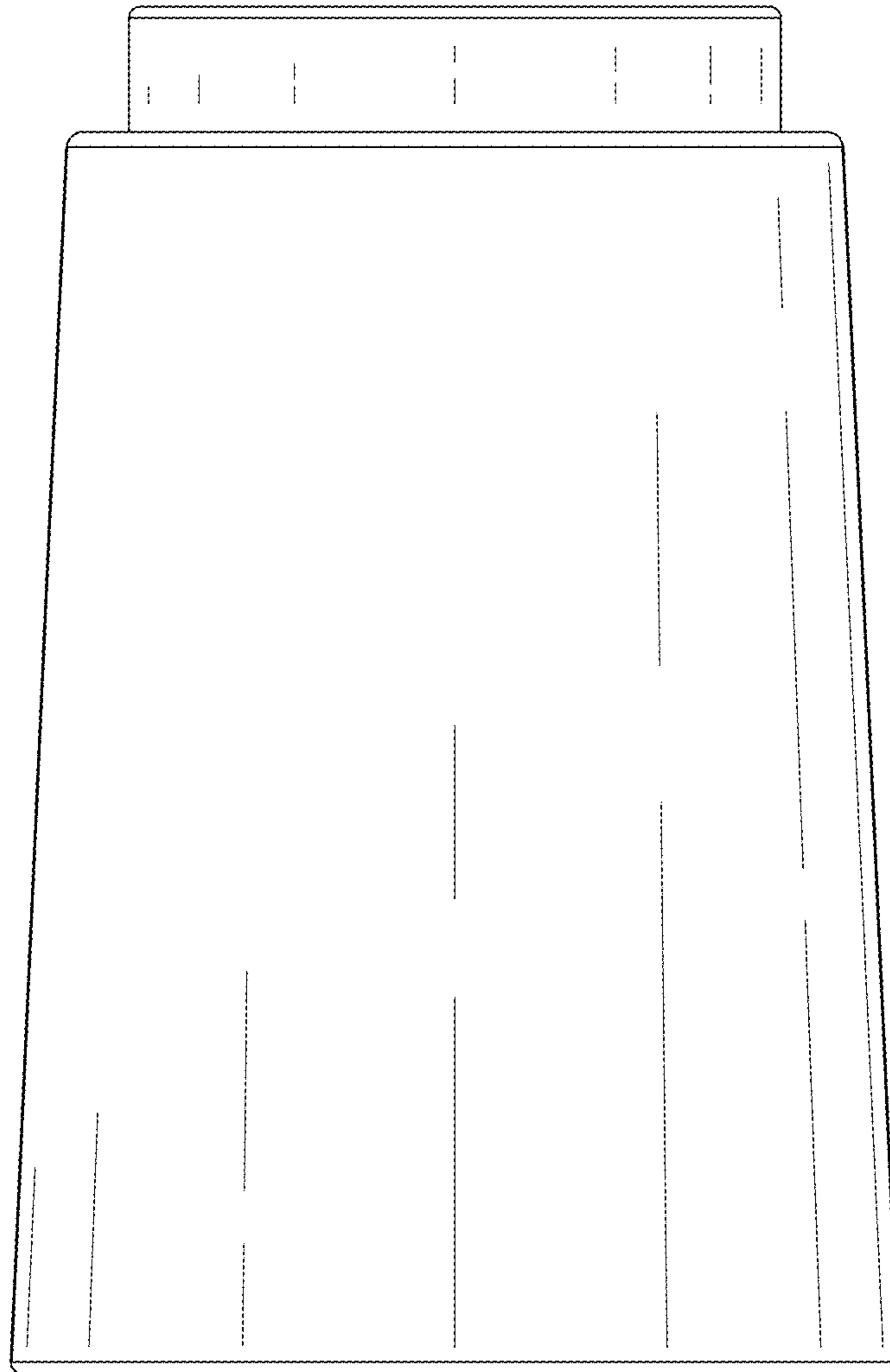


FIG. 9

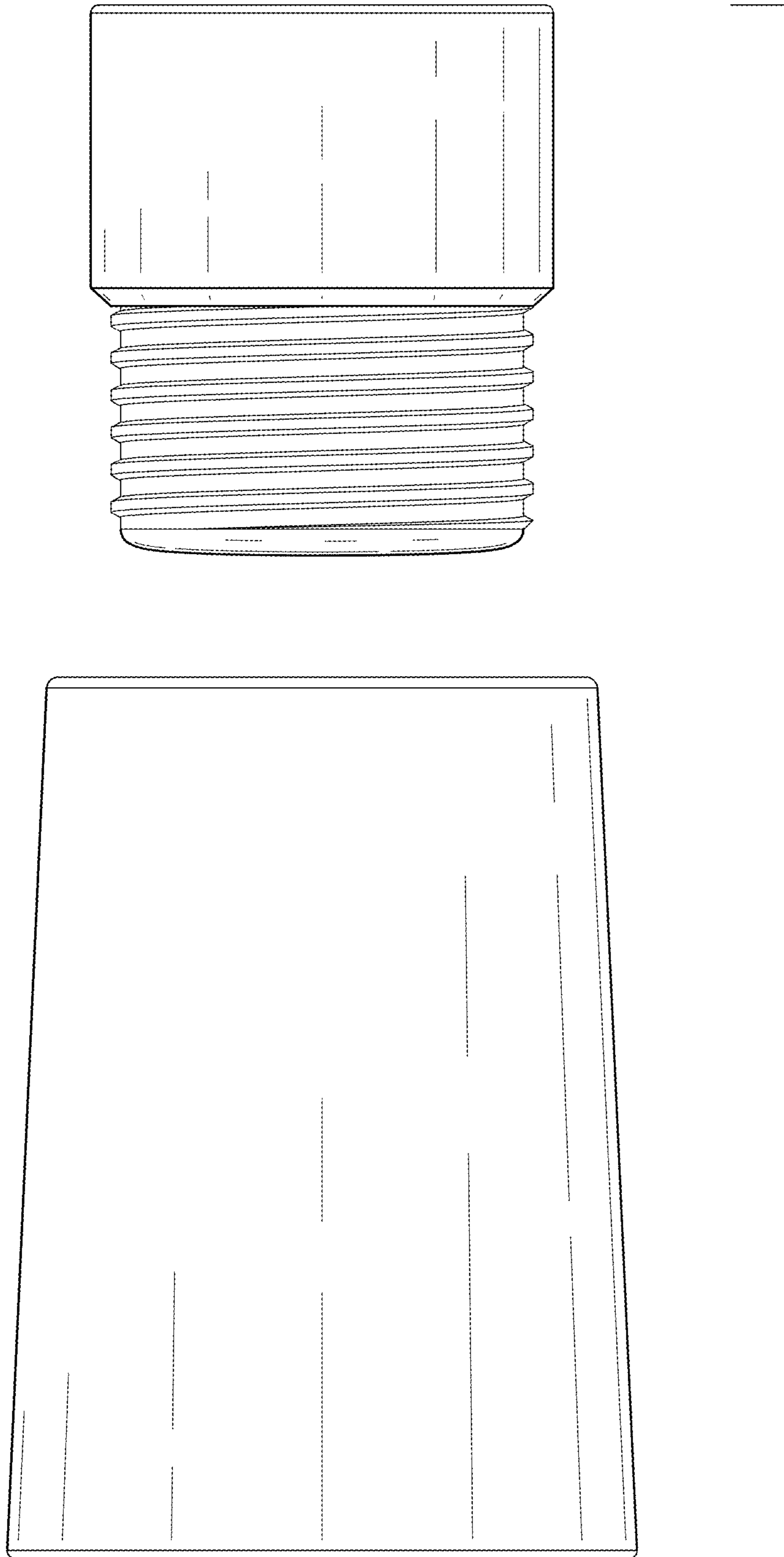


FIG. 10

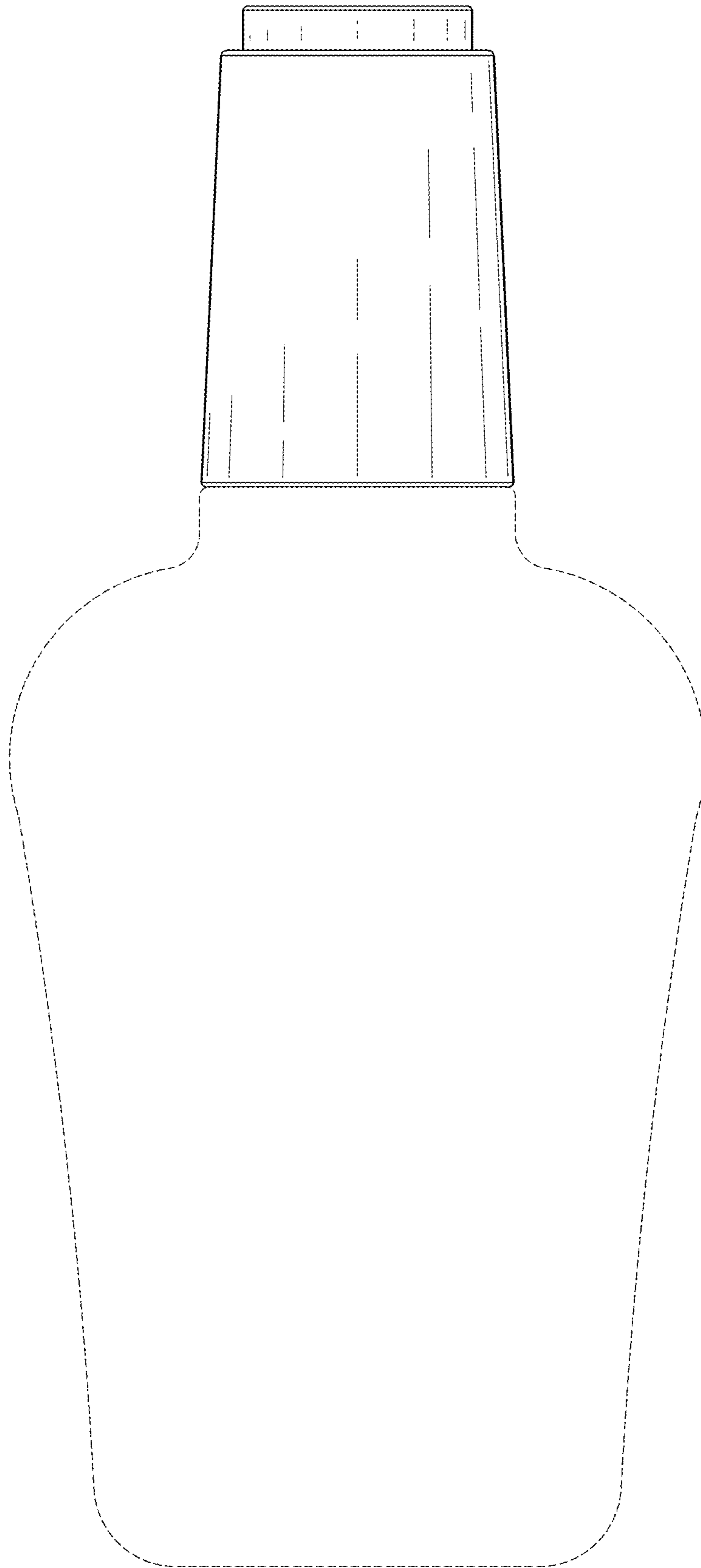


FIG. 11