



US00D925351S

(12) **United States Design Patent**
De Silva et al.

(10) **Patent No.:** **US D925,351 S**
(45) **Date of Patent:** **** Jul. 20, 2021**

(54) **PACKAGE**
(71) Applicants: **Anuradha Andy De Silva**, Ranchos Palos Verdes, CA (US); **Shehan James**, Los Angeles, CA (US); **Dinesh Weerasekera**, Fullerton, CA (US)
(72) Inventors: **Anuradha Andy De Silva**, Ranchos Palos Verdes, CA (US); **Shehan James**, Los Angeles, CA (US); **Dinesh Weerasekera**, Fullerton, CA (US)

D363,663 S * 10/1995 Plater D9/425
D411,741 S * 6/1999 Wilson D9/425
D416,794 S * 11/1999 Cormack D9/423
D416,797 S * 11/1999 Rabe D9/431
D513,376 S * 1/2006 Shannon D7/629
D551,515 S * 9/2007 Ablo D7/629

(Continued)

(**) Term: **15 Years**
(21) Appl. No.: **29/725,807**
(22) Filed: **Feb. 27, 2020**

FOREIGN PATENT DOCUMENTS

EM 008111033-0001 * 11/2020
MY 13-00206-0105 * 2/2013

(51) **LOC (13) Cl.** **09-03**
(52) **U.S. Cl.**
USPC **D9/425; D9/432**

OTHER PUBLICATIONS

BASICBOX storage box. Online, published date unknown. Retrieved on May 13, 2021 from URL: <https://www.kisker-biotech.com/frontoffice/product?produitId=0J-18-24>.*

(58) **Field of Classification Search**
USPC D9/414-420, 421-433, 434, 442, 445, D9/456, 499, 542, 563, 600, 614-624, D9/661, 635, 643, 699, 707, 708, 711, D9/754, 759, 732, 737, 756; D3/273, D3/276, 304, 309-313, 203.1, 203.2; D7/601, 602, 709, 543, 545, 629; D24/224
CPC B65D 5/00; B65D 5/001; B65D 5/0027; B65D 5/0254; B65D 5/18; B65D 5/38; B65D 5/40; B65D 5/2033; B65D 5/48024; B65D 5/6605; B65D 1/22; B65D 1/24; B65D 1/34; B65D 73/0035; B65D 73/0085; B65D 75/58; B65D 2543/00194; B65D 1/36; B65D 73/0078; B65D 2543/00805; B65D 73/0042; B65D 75/225; B65D 21/0204; B65D 43/065; B65D 53/02; B65D 53/00; B65D 43/0208; B65D 43/021; B65D 81/2038; B65D 21/022; B65B 5/06
See application file for complete search history.

Primary Examiner — Susan Bennett Hattan
Assistant Examiner — Omeed Agilee
(74) *Attorney, Agent, or Firm* — Eric Karich; Karich & Associates

(57) **CLAIM**

The ornamental design for a package, as shown and described.

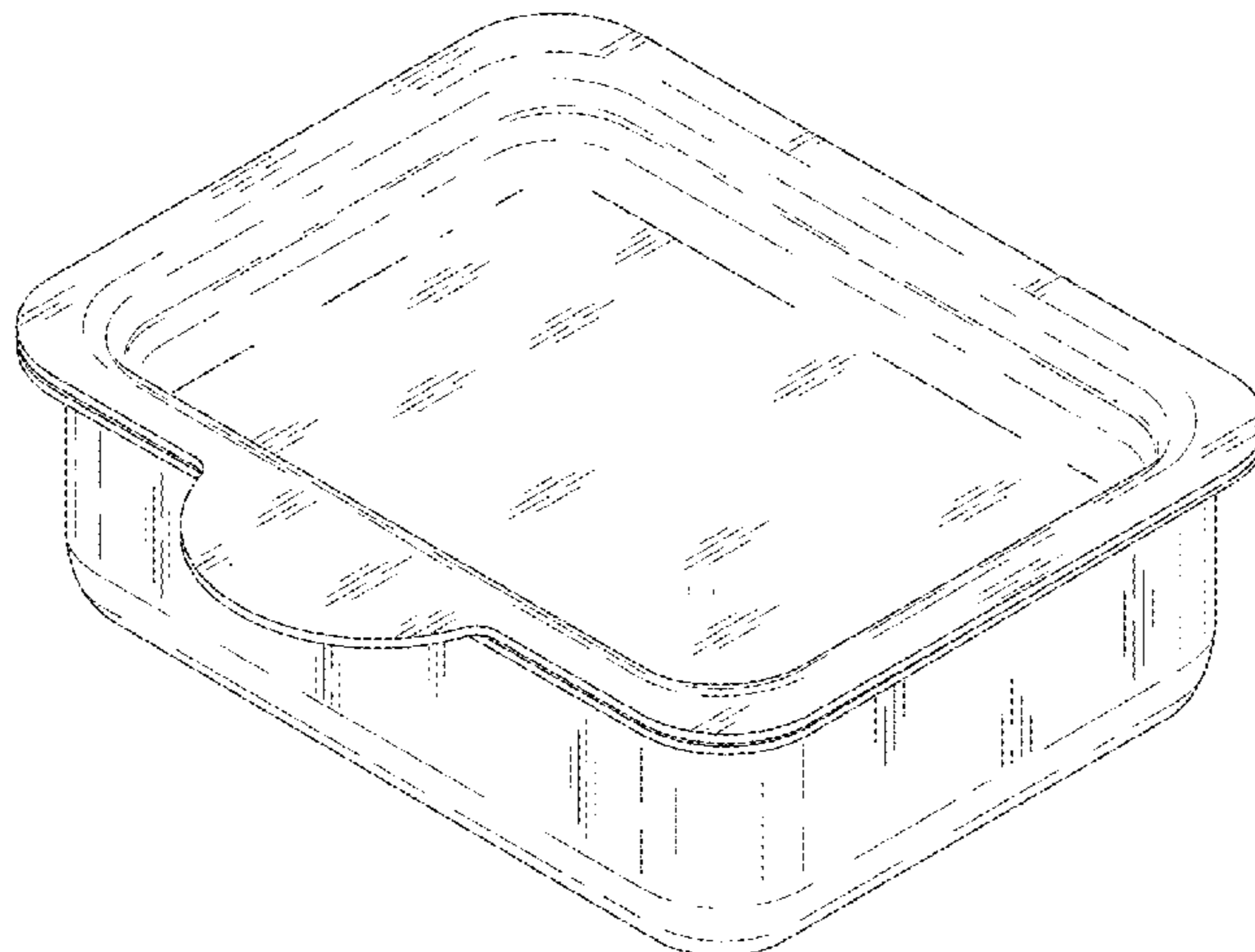
DESCRIPTION

FIG. 1 is an exploded perspective view of a package showing our new design;
FIG. 2 is a perspective view of the package in a closed configuration;
FIG. 3 is a front elevational view thereof;
FIG. 4 is a rear elevational view thereof;
FIG. 5 is a left side elevational view thereof;
FIG. 6 is a right side elevational view thereof;
FIG. 7 is a top plan view thereof; and,
FIG. 8 is a bottom plan view thereof.

(56) **References Cited**
U.S. PATENT DOCUMENTS

D284,944 S * 8/1986 Carlson D9/425
D285,906 S * 9/1986 Tyler D9/425

1 Claim, 3 Drawing Sheets



(56)

References Cited

U.S. PATENT DOCUMENTS

D555,983 S * 11/2007 Tucker D7/542
D568,693 S * 5/2008 Furlong D7/629
D700,483 S * 3/2014 Yessin D7/629
D703,493 S * 4/2014 de Ste. Croix D7/629
D722,832 S * 2/2015 Ra D7/602
D722,834 S * 2/2015 Beckman D7/629
D723,339 S * 3/2015 Maxwell D7/629
D736,569 S * 8/2015 Bronwasser D7/629
D758,805 S * 6/2016 Myoung D7/629
D829,545 S * 10/2018 Thurin D9/425
D849,405 S * 5/2019 Chen D3/302
D886,577 S * 6/2020 De Geyter D9/423
2002/0148840 A1 * 10/2002 Torniainen B65D 21/0233
220/657
2016/0023815 A1 * 1/2016 Siskindovich B65D 1/34
220/270
2018/0327148 A1 * 11/2018 Trahan B65D 43/022
2020/0331674 A1 * 10/2020 Murphy B65D 43/162

* cited by examiner

Fig. 1

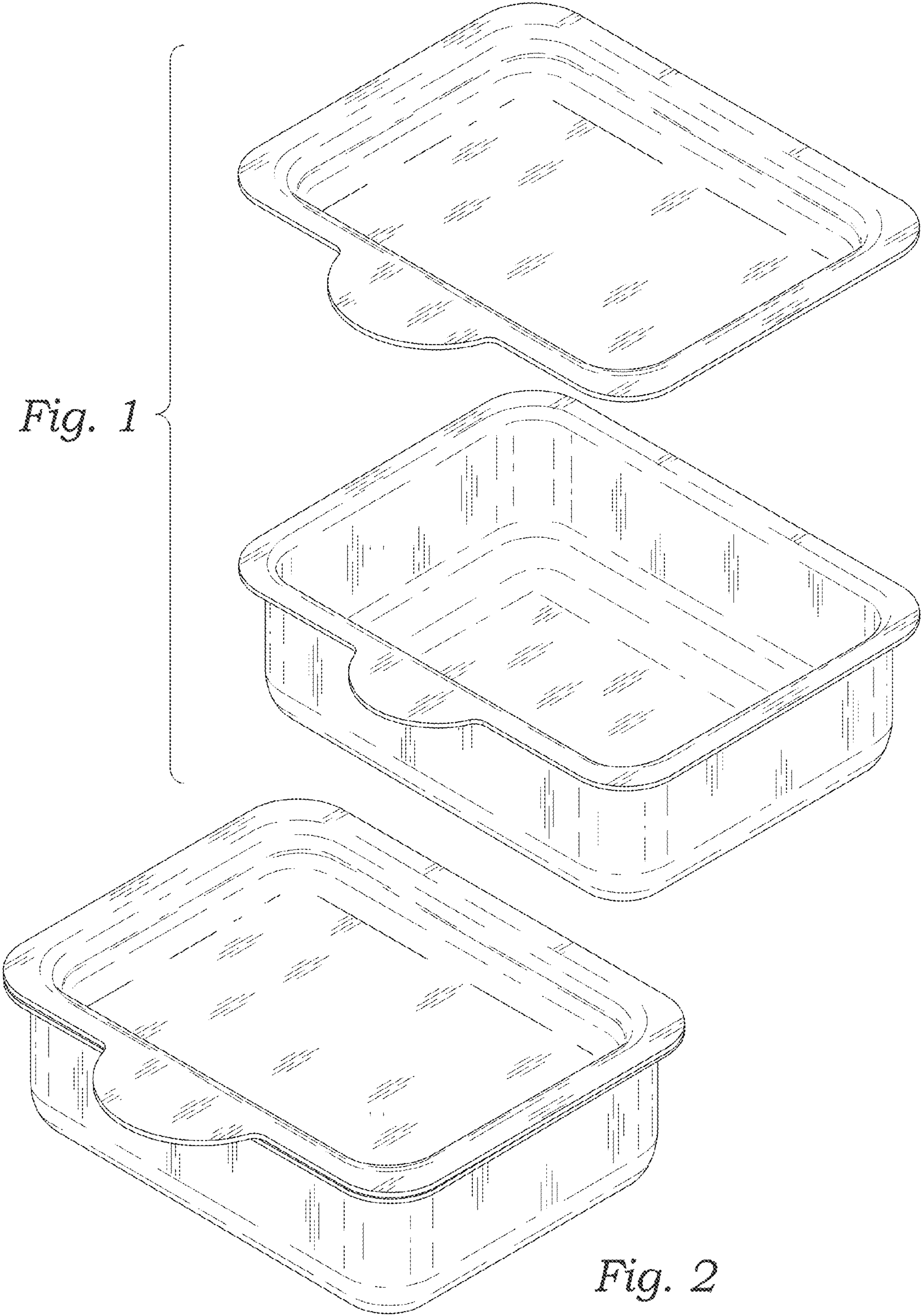


Fig. 2

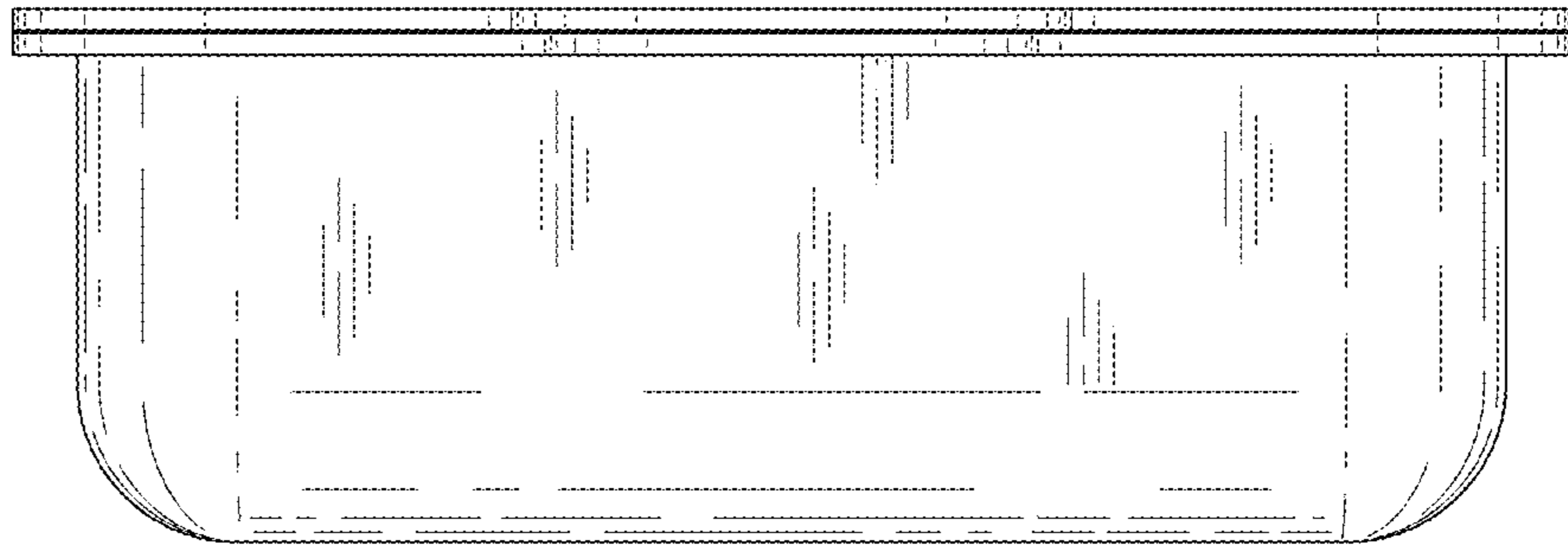


Fig. 3

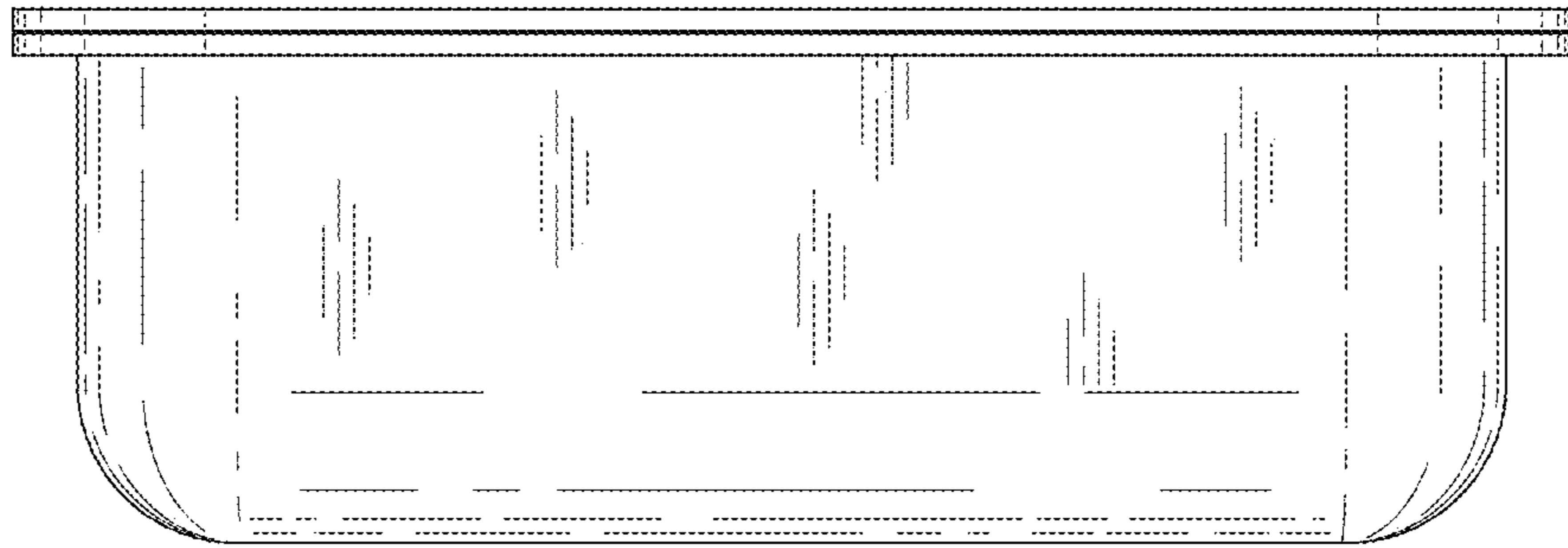


Fig. 4

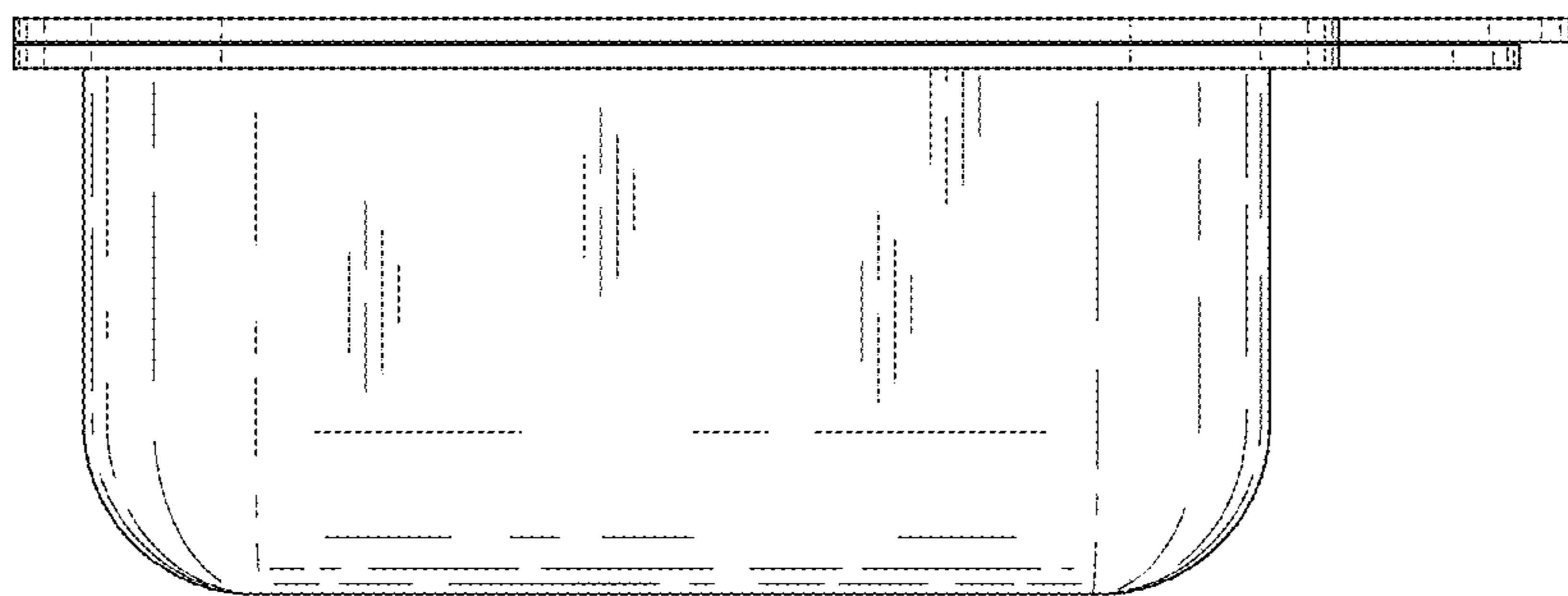


Fig. 5



Fig. 6

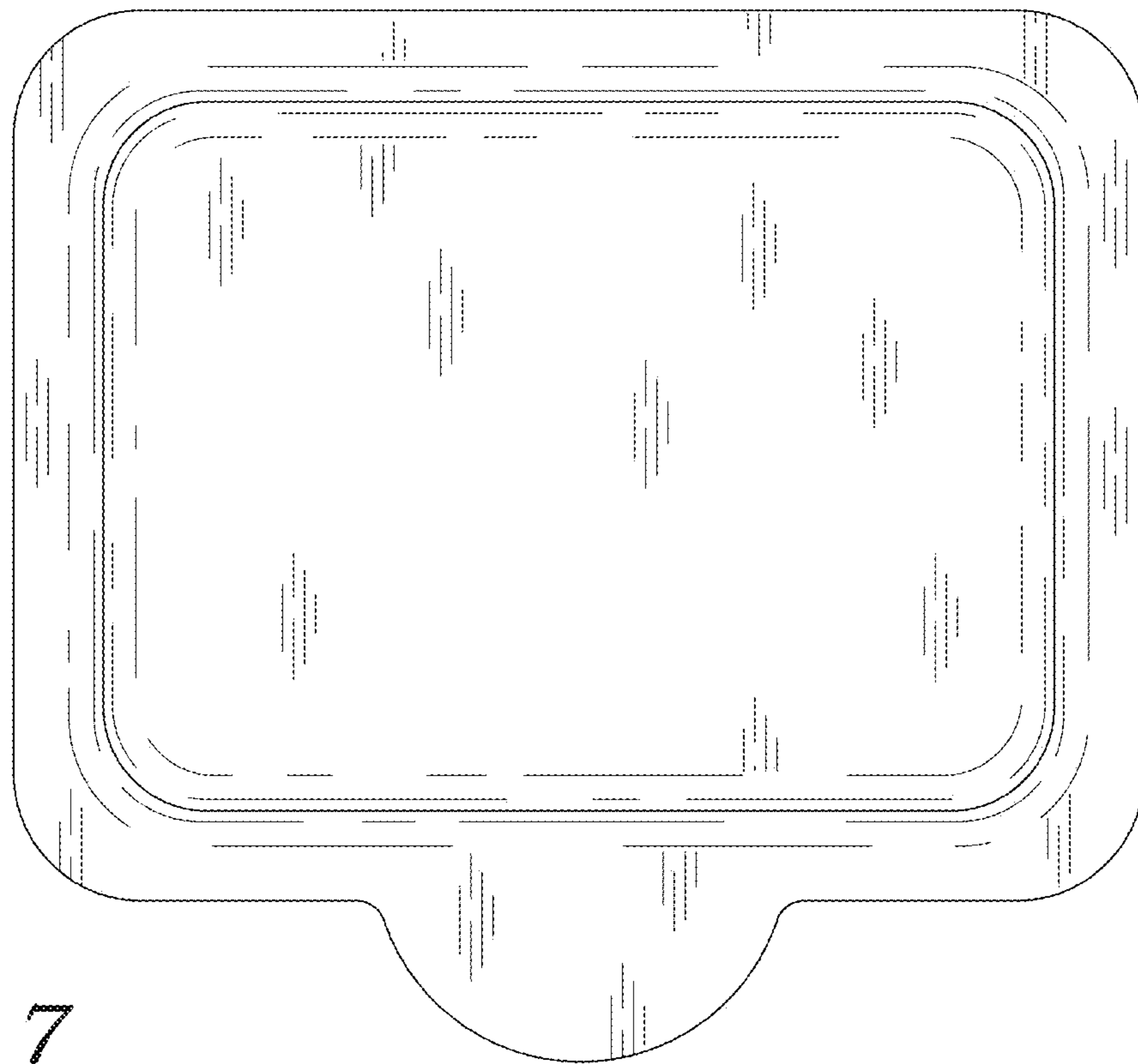


Fig. 7

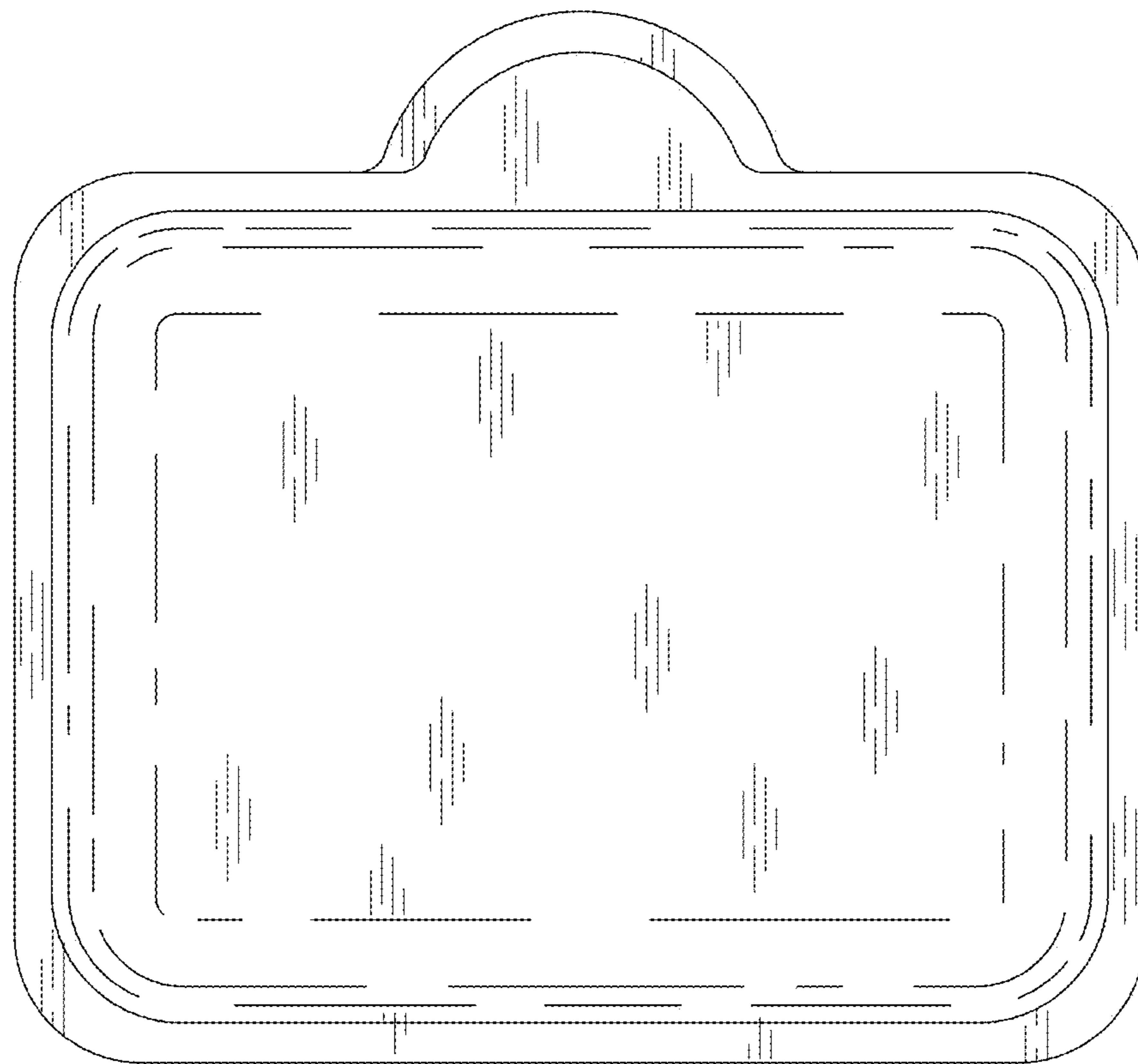


Fig. 8