



US00D925350S

(12) **United States Design Patent** (10) **Patent No.:** **US D925,350 S**
Mezzalira (45) **Date of Patent:** **** Jul. 20, 2021**

(54) **PACKAGE FOR FLEXIBLE PIPES AND FLEXIBLE HOSES**

(71) Applicant: **FITT S.p.A.**, Sandrigo (IT)
(72) Inventor: **Alessandro Mezzalira**, Sandrigo (IT)
(73) Assignee: **Fitt S.p.A.**, Vicenza (IT)
(**) Term: **15 Years**
(21) Appl. No.: **35/508,876**
(22) Filed: **Jan. 17, 2020**
(80) **Hague Agreement Data**
Int. Filing Date: **Jan. 17, 2020**
Int. Reg. No.: **DM/206579**
Int. Reg. Date: **Jan. 17, 2020**
Int. Reg. Pub. Date: **Mar. 27, 2020**

(30) **Foreign Application Priority Data**

Aug. 1, 2019 (EM) 006672580-0005
Aug. 1, 2019 (EM) 006672580-0006
Aug. 1, 2019 (EM) 006672580-0007
Aug. 1, 2019 (EM) 006672580-0008
Aug. 1, 2019 (EM) 006672580-0009

(51) **LOC (13) Cl.** **09-03**

(52) **U.S. Cl.**
USPC **D9/418**

(58) **Field of Classification Search**
USPC D3/201, 203.1–203.3, 203.5–203.8,
D3/202–207, 212, 218, 219, 221, 222,
D3/225–228, 230, 232, 246, 254,
D3/263–268, 272, 273, 281–283, 290,
D3/291, 294; D9/431–433, 499, 703,
D9/707, 415, 418, 428, 430
CPC ... B65D 5/66; B65D 5/08; B65D 5/36; B65D
43/02
See application file for complete search history.

(56) **References Cited**

U.S. PATENT DOCUMENTS

1,792,370 A * 2/1931 Goodman B65D 5/36
229/108.1
D488,062 S * 4/2004 Shannon D9/415
D543,450 S * 5/2007 Watzig D9/418
D576,483 S * 9/2008 Wintolders D9/418
D657,693 S * 4/2012 Krankkala D9/711
D669,350 S * 10/2012 Althoff D9/418
D685,633 S * 7/2013 Thomas D9/431
D719,824 S * 12/2014 Wagner D9/430

(Continued)

OTHER PUBLICATIONS

Youtube. Commercial grade fitt force pro Water Hose—New Product Coming Early 2020. Nord Outdoor Power Corp. Dec. 3, 2019 <https://www.youtube.com/watch?v=3BOoeQUj7X8> (Year: 2019).*

(Continued)

Primary Examiner — Darcey E Gottschalk
(74) *Attorney, Agent, or Firm* — Kilyk & Bowersox, P.L.L.C

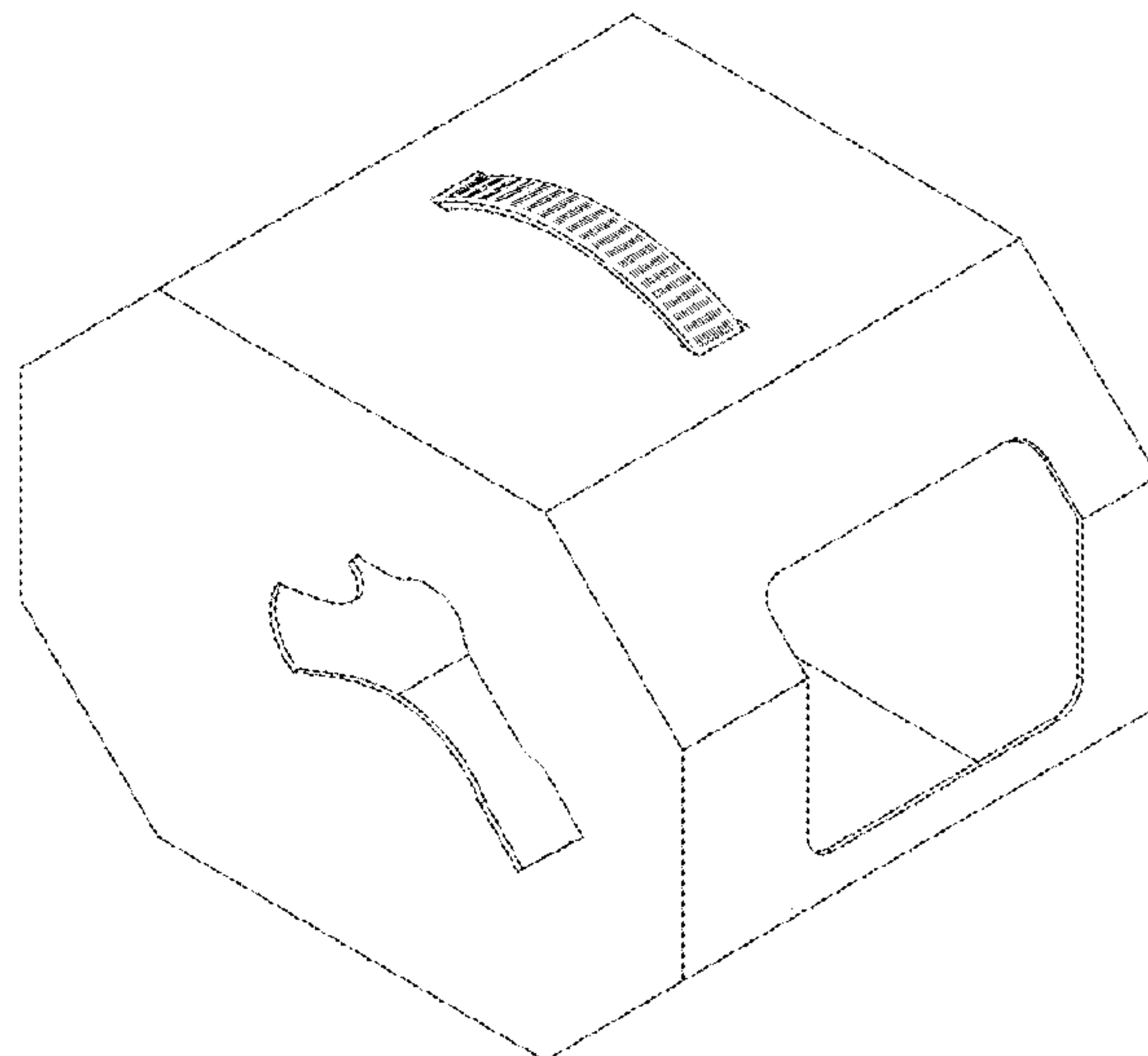
(57) **CLAIM**

The ornamental design for a package for flexible pipes and flexible hoses, as shown and described.

DESCRIPTION

FIG. 1.1 is a bottom view of a package for flexible pipes and flexible hoses, showing my new design;
FIG. 1.2 is a top, front, right-side perspective view thereof;
FIG. 1.3 is a right-side view thereof;
FIG. 1.4 is a front view thereof;
FIG. 1.5 is a back view thereof;
FIG. 1.6 is a top view thereof; and
FIG. 1.7 is a top, back, left-side perspective view thereof.
The broken lines shown in FIGS. 1.2, 1.3, 1.6, and 1.7 encompass features of a handle attached to the package and form no part of the claimed design.

1 Claim, 7 Drawing Sheets



(56)

References Cited

U.S. PATENT DOCUMENTS

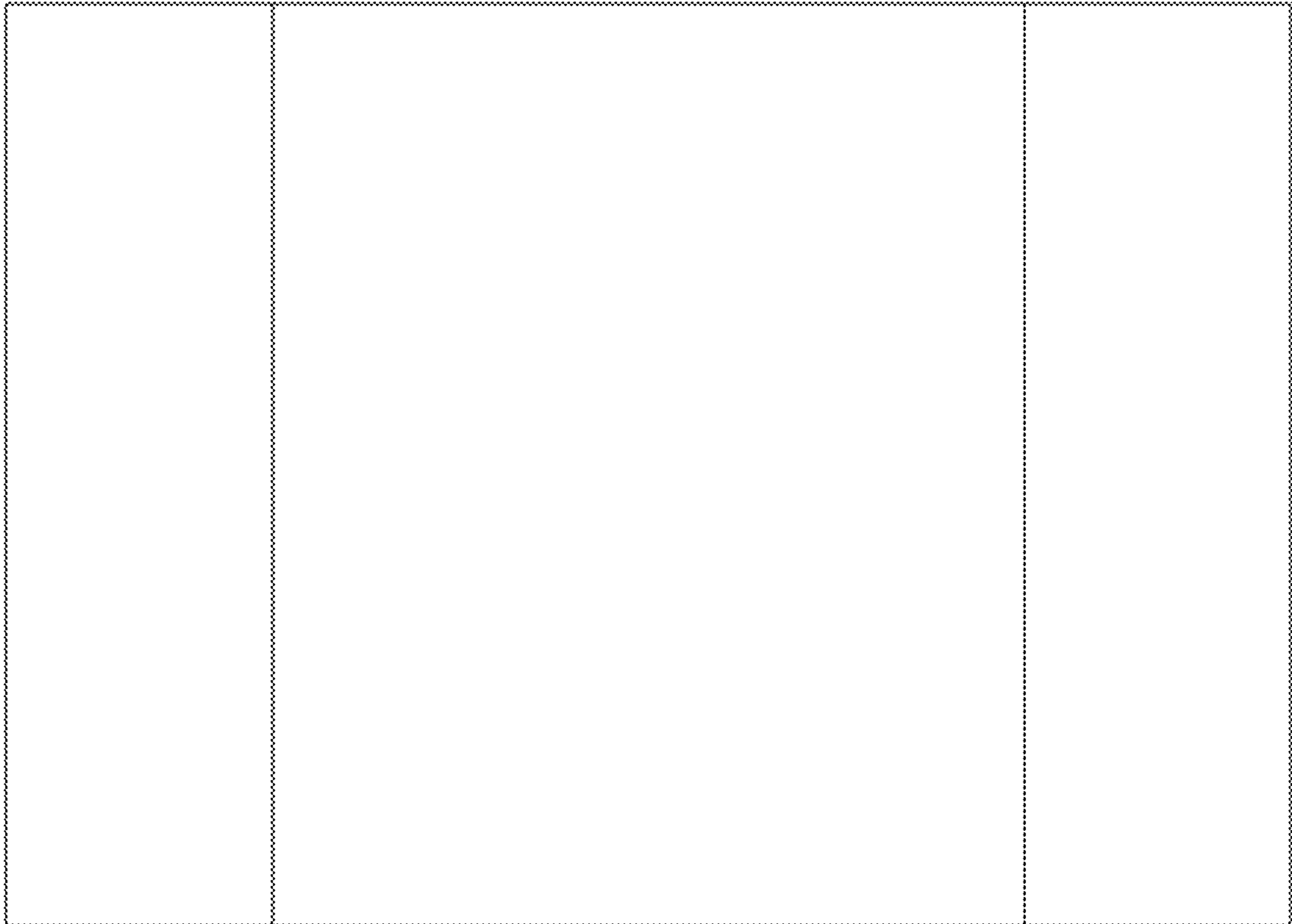
D721,954	S	*	2/2015	Kauanui	D9/431
D729,055	S	*	5/2015	Lemnios	D9/418
D748,975	S	*	2/2016	McClaghry	D9/418
D749,942	S	*	2/2016	Clough	D9/418
D772,055	S	*	11/2016	O'Dowd	D9/430
D772,056	S	*	11/2016	O'Dowd	D9/430
D792,761	S	*	7/2017	Duval	D9/431
D795,689	S	*	8/2017	Shirosawa	D9/430
D840,218	S	*	2/2019	Thain	D9/415
D849,530	S	*	5/2019	Fremgen	D9/430
D857,495	S	*	8/2019	Elman	D9/430
D862,078	S	*	10/2019	Cerit	D3/246
D862,085	S	*	10/2019	Cook	D3/315
D899,074	S	*	10/2020	Roy	D3/203.5
D901,173	S	*	11/2020	Mezzalira	D3/246
D909,063	S	*	2/2021	Loudenslager	D3/290

OTHER PUBLICATIONS

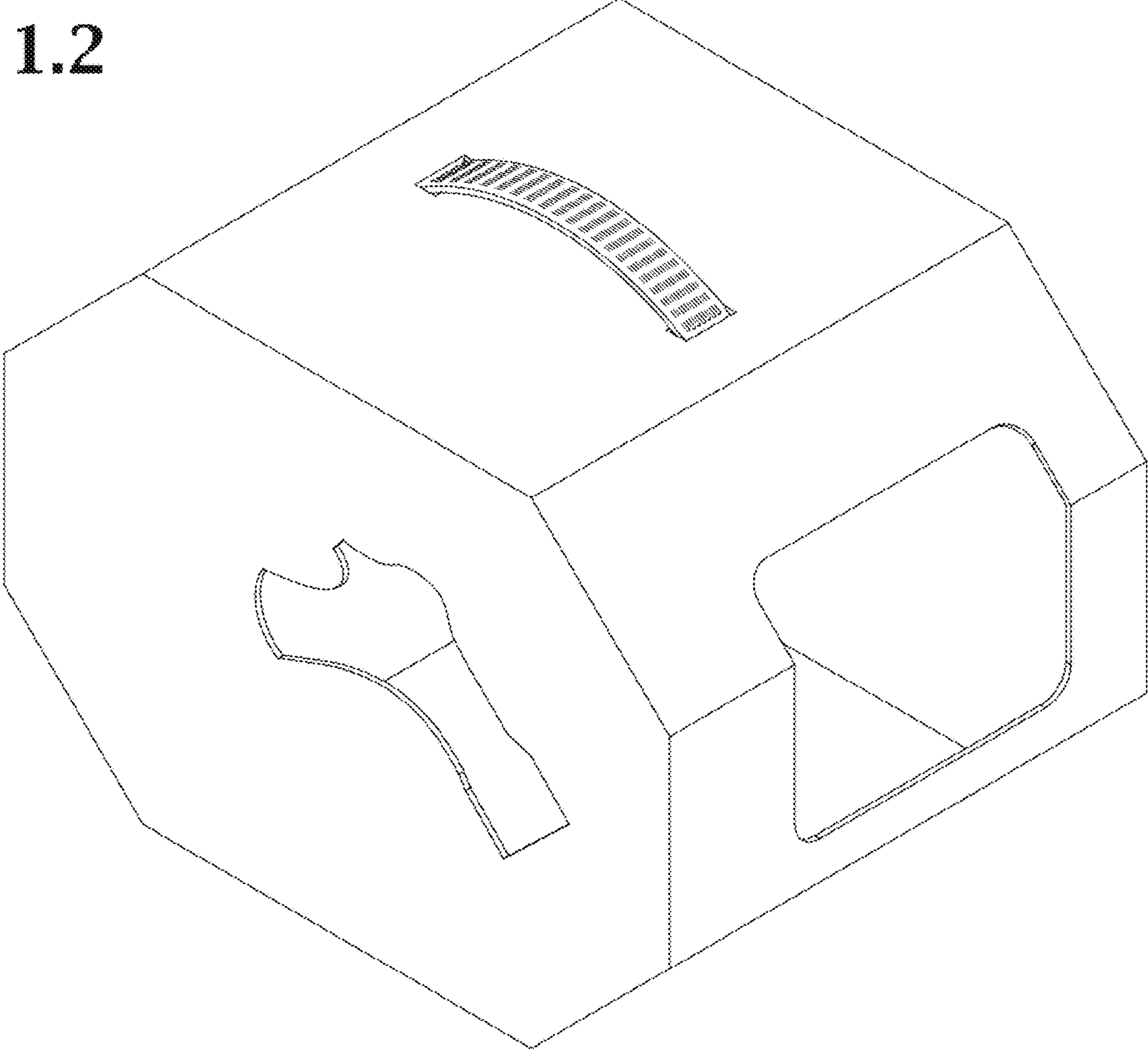
Youtube. Review of the Zero-G Garden Hose Byteknor Apex. Markthomasbuilder. Aug. 19, 2016. <https://www.youtube.com/watch?app=desktop&v=BhQZ6XSOnek> (Year: 2016).*

* cited by examiner

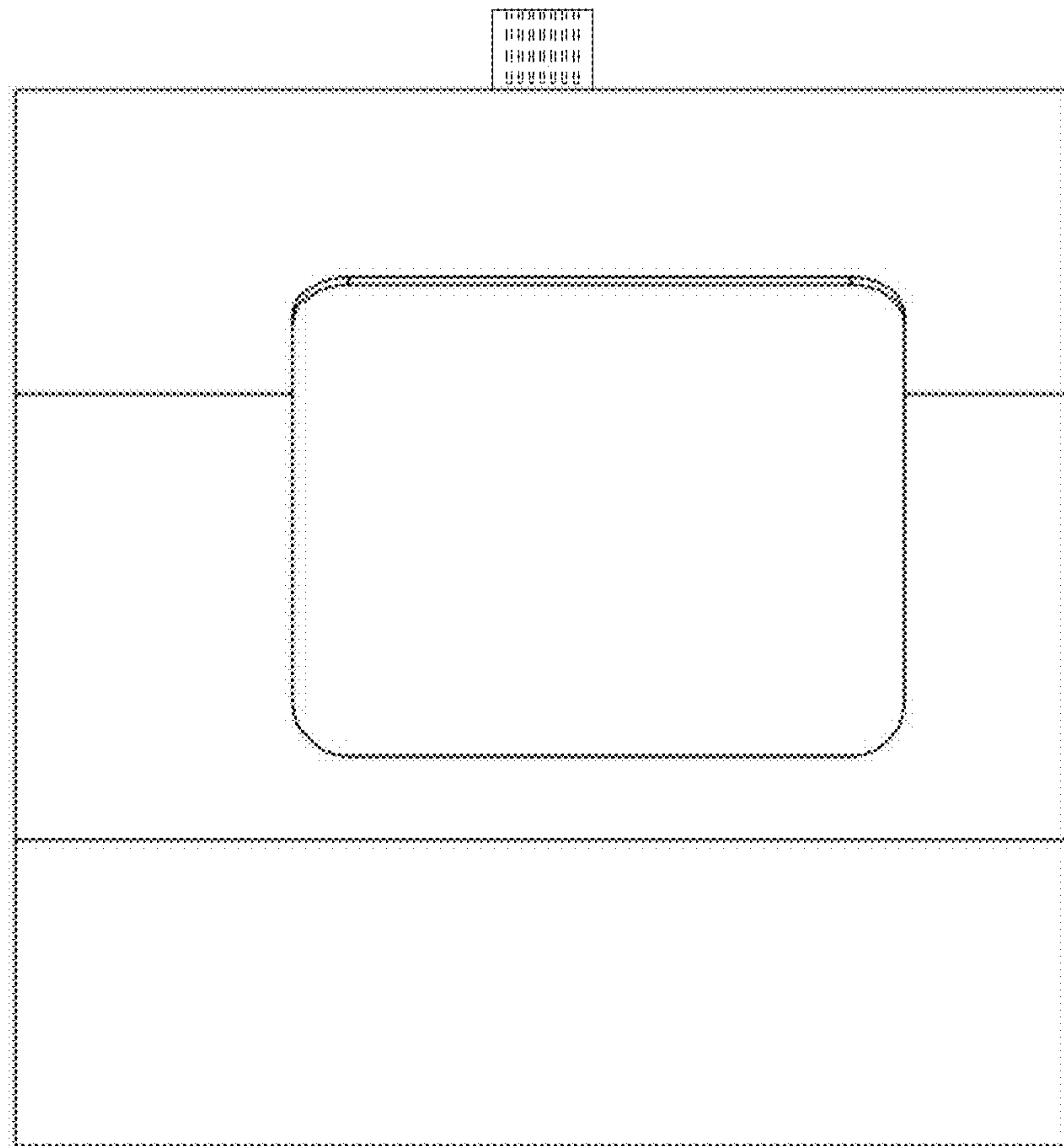
1.1



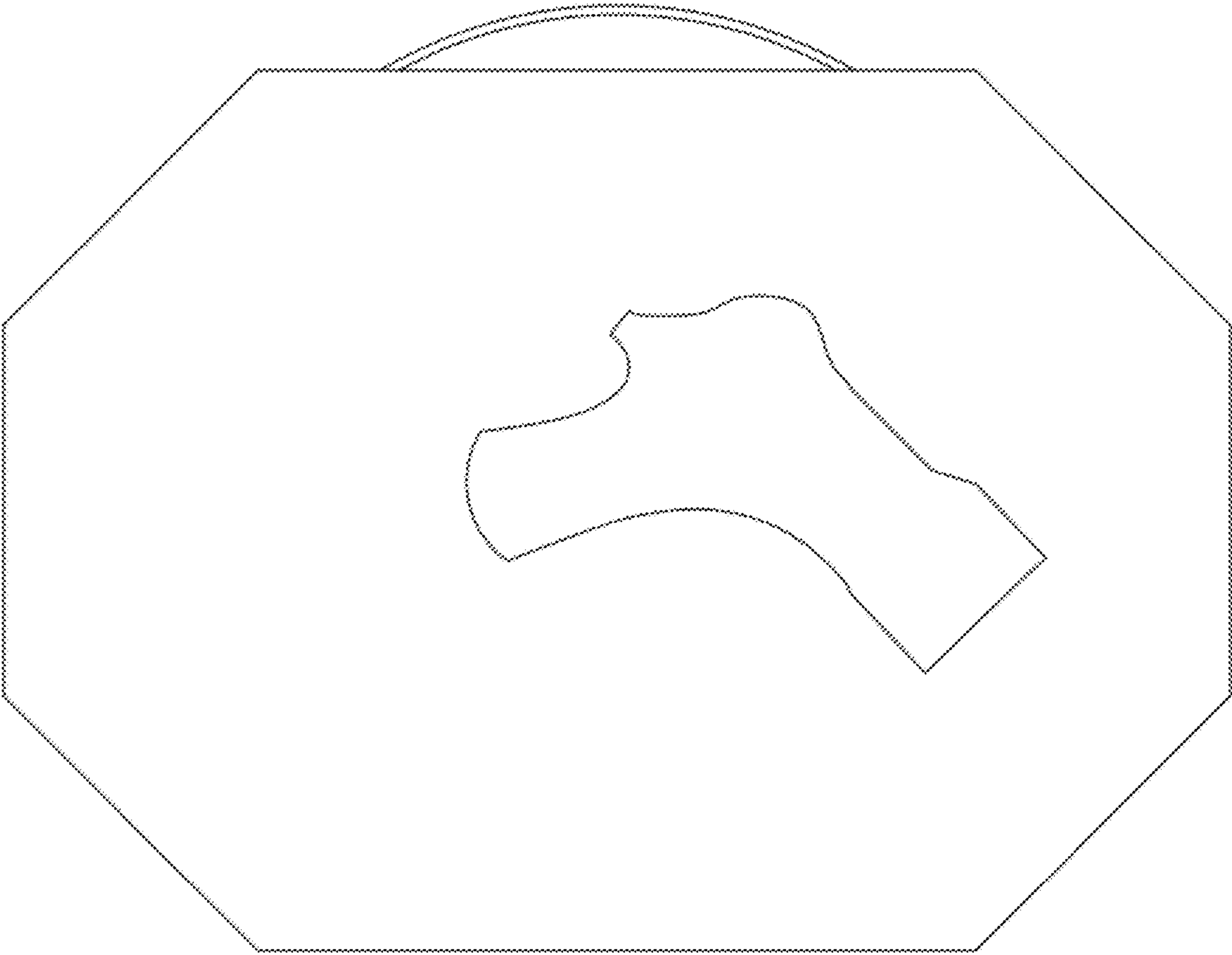
1.2



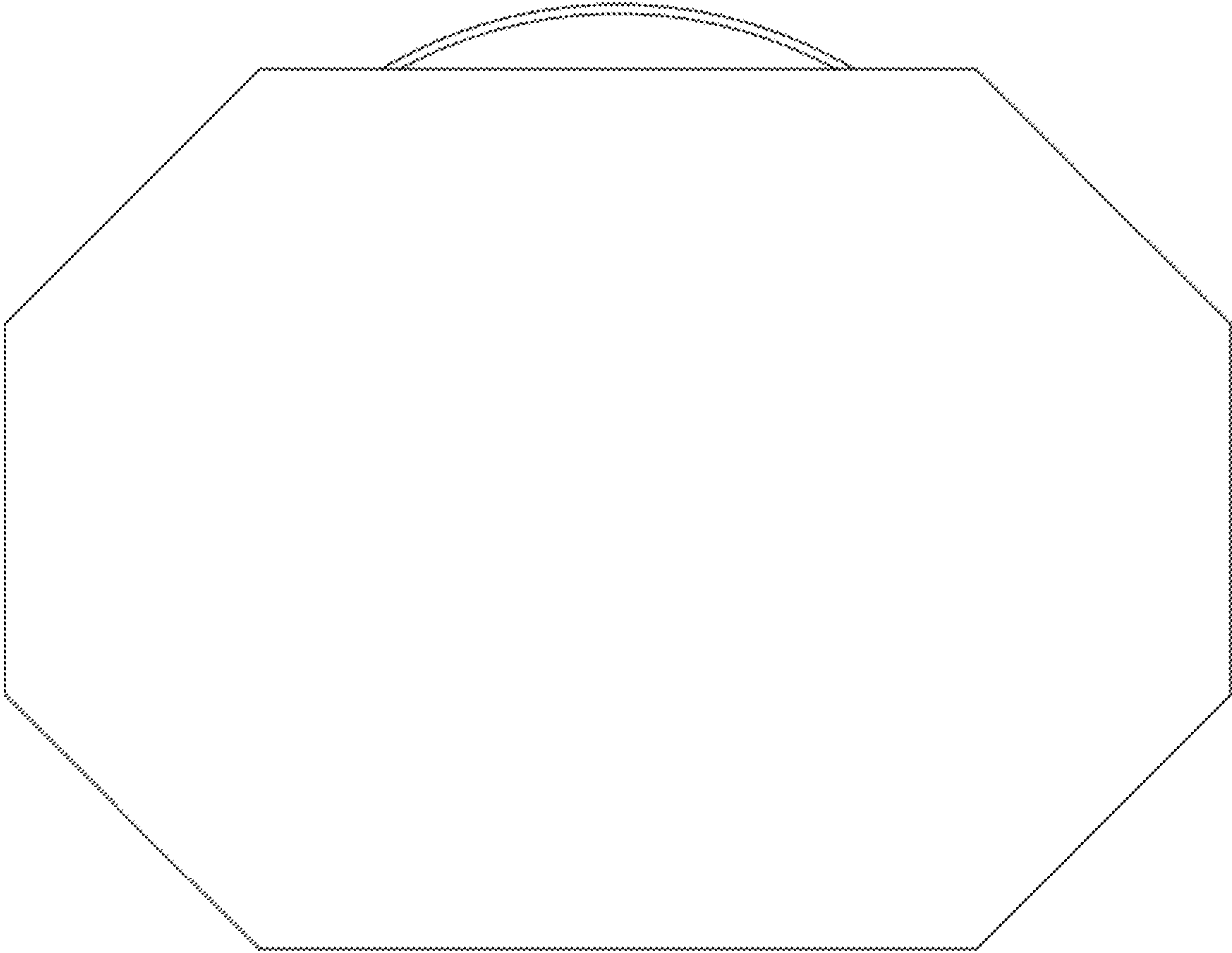
1.3



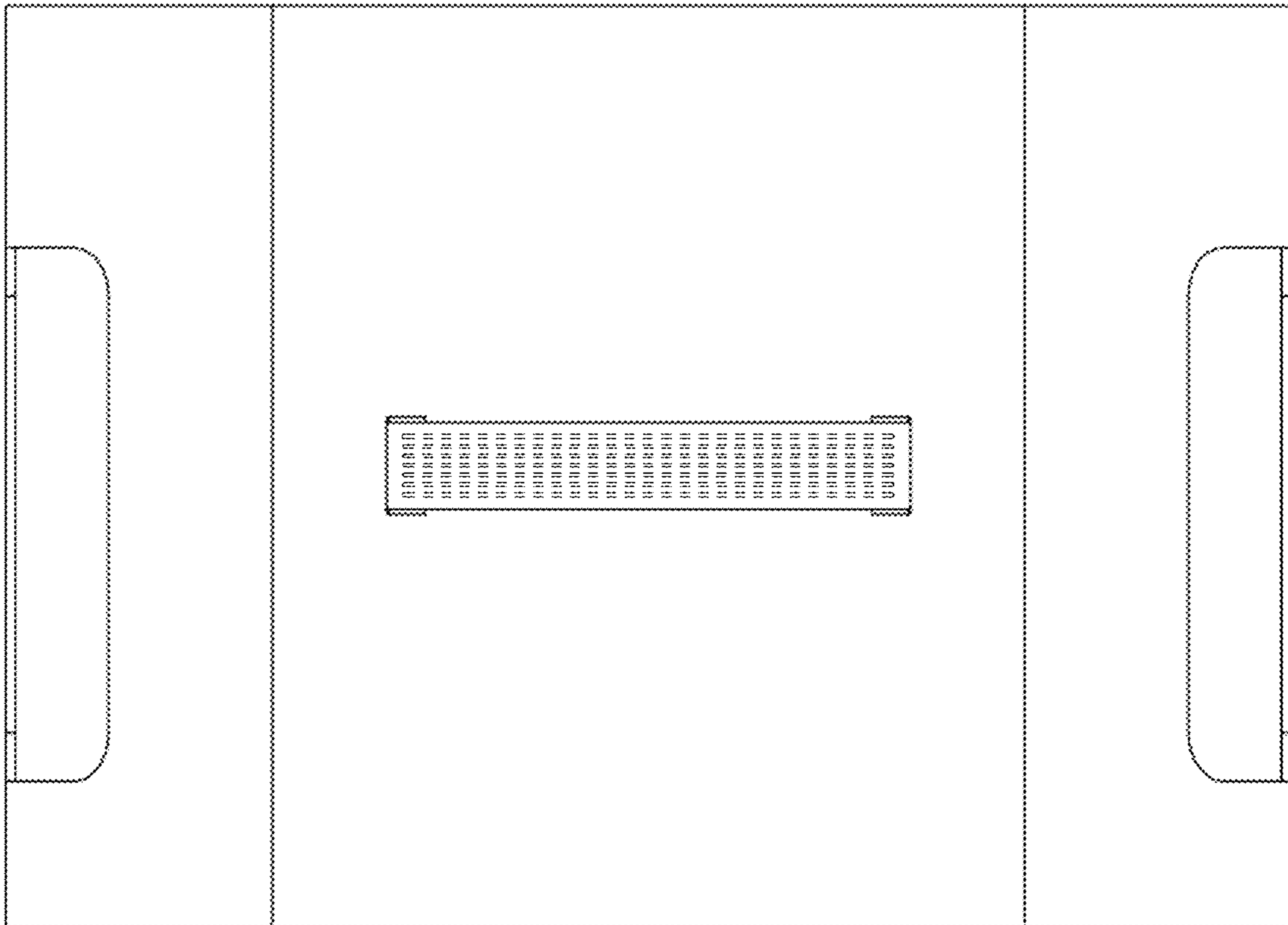
1.4



1.5



1.6



1.7

