



US00D925349S

(12) **United States Design Patent**
Mousselli et al.

(10) **Patent No.:** **US D925,349 S**
(45) **Date of Patent:** **** Jul. 20, 2021**

- (54) **EYELASH EXTENSION PACKAGE**
- (71) Applicant: **Xtreme Lashes, LLC**, Spring, TX (US)
- (72) Inventors: **Joumana Nazir Mousselli**, Spring, TX (US); **Laura Lea Lively**, Spring, TX (US); **Rex Madriaga Deguzman**, Spring, TX (US)
- (73) Assignee: **Xtreme Lashes, LLC**, Spring, TX (US)
- (**) Term: **15 Years**
- (21) Appl. No.: **29/676,896**
- (22) Filed: **Jan. 15, 2019**
- (51) **LOC (13) Cl.** **09-03**
- (52) **U.S. Cl.**
USPC **D9/416**
- (58) **Field of Classification Search**
USPC D9/414-418, 721, 432, 723, 433;
D28/83, 73; D6/675; D20/8
CPC A45C 11/00; A45C 11/24; B65D 85/70;
B65D 3/00; A45D 44/00; A45D 27/225;
A45D 44/14; A41G 5/02
See application file for complete search history.

- 6,029,674 A * 2/2000 Han A41G 5/02
132/216
- D540,665 S * 4/2007 Gupta D9/433
- 7,222,629 B1 * 5/2007 Han A41G 5/02
132/216
- 7,600,519 B2 10/2009 Dinh
- D640,834 S * 6/2011 Chen D28/83
- 8,015,980 B2 9/2011 Rabe et al.
- 8,061,367 B2 11/2011 Rabe et al.
- 8,087,594 B2 1/2012 Navarro

(Continued)

Primary Examiner — Rhea Shields

(74) *Attorney, Agent, or Firm* — Ferguson Braswell
Fraser Kubasta PC

(57) **CLAIM**

The ornamental design for an eyelash extension package, as shown and described.

DESCRIPTION

FIG. 1 is an isometric view of an eyelash extension package, in a closed configuration, showing our new design;
 FIG. 2 is a top view thereof;
 FIG. 3 is a bottom view thereof;
 FIG. 4 is a side elevation view, the opposite side showing a mirror image thereof;
 FIG. 5 is an isometric side view, the opposite side showing a mirror image thereof;
 FIG. 6 is a front side view thereof;
 FIG. 7 is a rear side view thereof;
 FIG. 8 is a top view in an open configuration; and,
 FIG. 9 is an isometric side view in an open configuration. A fourth side that is on an opposite side from the first side is a mirror image of the first side shown in FIG. 4 and FIG. 5.

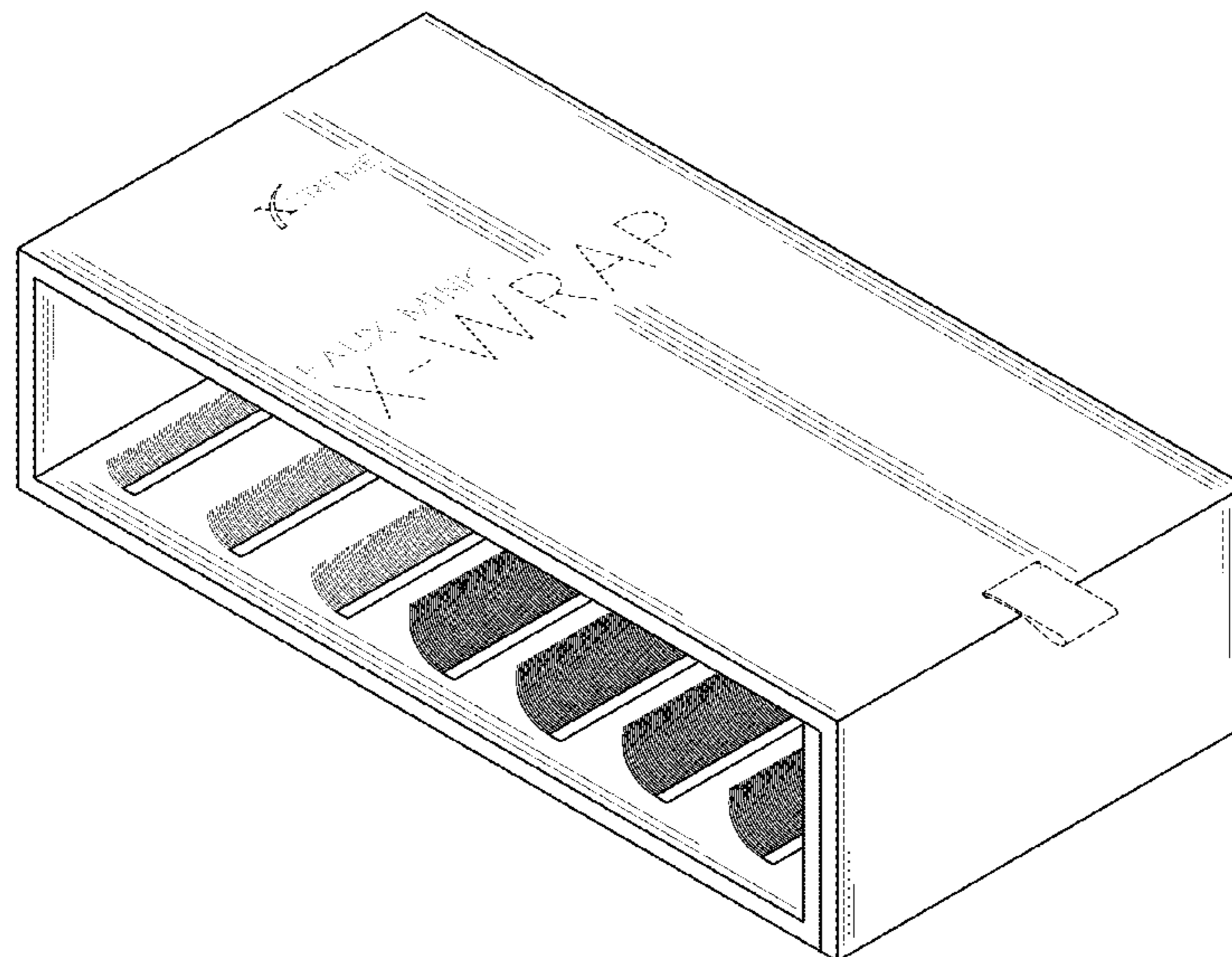
The broken lines showing the text and ribbon are for the purpose of illustrating portions of the article and form no part of the claimed design.

1 Claim, 5 Drawing Sheets

(56) **References Cited**

U.S. PATENT DOCUMENTS

- 2,503,552 A * 4/1950 Hassler A41G 5/02
132/217
- 3,333,593 A * 8/1967 McGivern A45C 11/00
132/217
- 3,447,542 A * 6/1969 McCullough A41G 5/02
132/53
- D215,821 S * 11/1969 Aylott D9/721
- 3,491,775 A * 1/1970 Aylott A41G 5/02
132/313
- 3,517,673 A * 6/1970 Kim A41G 5/02
132/214
- 3,935,872 A * 2/1976 Aylott A41G 5/02
132/216



(56)

References Cited

U.S. PATENT DOCUMENTS

8,113,218 B2	2/2012	Nguyen	2009/0266376 A1	10/2009	Beschta
8,127,774 B2	3/2012	Dinh	2010/0000563 A1	1/2010	Dinh
D669,223 S *	10/2012	Lee D28/73	2010/0018545 A1	1/2010	Franklin et al.
8,424,542 B1 *	4/2013	Han A41G 5/02 132/216	2010/0021406 A1	1/2010	Raineau et al.
8,464,733 B2	6/2013	Franklin et al.	2010/0043816 A1	2/2010	Dix
8,561,622 B1	10/2013	Sanchez	2010/0078088 A1	4/2010	Navarro
8,584,848 B1 *	11/2013	Lee A45D 27/225 206/354	2010/0122398 A1	5/2010	Luciano
8,616,223 B2	12/2013	Rabe et al.	2010/0170526 A1	7/2010	Nguyen
8,701,685 B2 *	4/2014	Chipman A45D 44/00 132/201	2010/0198683 A1	8/2010	Aarabi
8,725,560 B2	5/2014	Aarabi	2011/0048440 A1	3/2011	Green
8,752,562 B2	6/2014	Dinh	2011/0253156 A1	10/2011	Harley et al.
8,826,919 B2	9/2014	Dinh	2011/0290271 A1	12/2011	Rabe et al.
8,881,744 B2 *	11/2014	McKinstry A41G 5/02 132/216	2012/0055499 A1	3/2012	Sanbonmatsu
8,967,158 B2	3/2015	Sanbonmatsu	2012/0061488 A1	3/2012	Navarro
9,004,076 B2	4/2015	Le	2012/0160259 A1	6/2012	Nguyen et al.
9,044,077 B1 *	6/2015	Lin A45D 44/00	2012/0247497 A1	10/2012	Zhang et al.
9,078,480 B2	7/2015	Beschta	2012/0318290 A1	12/2012	Kim
D735,941 S	8/2015	Seminoff	2013/0133681 A1	5/2013	Chipman
9,144,259 B2	9/2015	McKinstry	2013/0213427 A1	8/2013	Dinh
9,149,083 B1	10/2015	Dinh	2013/0255706 A1	10/2013	Dinh
9,179,722 B2	11/2015	Le	2013/0312782 A1	11/2013	Kindall
9,185,943 B2	11/2015	Merszei	2013/0333714 A1	12/2013	Merszei
9,254,012 B2 *	2/2016	Pham A41G 5/02	2014/0026913 A1	1/2014	Dinh
D751,895 S *	3/2016	Bellamah D9/432	2014/0069450 A1	3/2014	Le
9,275,400 B2	3/2016	Aarabi	2014/0083447 A1	3/2014	Rabe et al.
9,277,777 B2	3/2016	Lee et al.	2014/0116460 A1	5/2014	McKinstry
9,451,800 B2	9/2016	Dinh	2014/0214553 A1	7/2014	Aarabi
9,456,646 B2	10/2016	Calina	2014/0216488 A1	8/2014	Dinh
9,462,836 B2	10/2016	Beschta	2014/0283861 A9	9/2014	Dinh
9,462,837 B2	10/2016	Ngo	2015/0020840 A1	1/2015	Rabe et al.
9,486,025 B1	11/2016	Dinh	2015/0072317 A1	3/2015	Dana
9,504,285 B2 *	11/2016	Lin B65D 73/00	2015/0075549 A1	3/2015	Lee et al.
D774,595 S *	12/2016	Stolarz D20/8	2015/0114423 A1	4/2015	Sanbonmatsu
9,565,883 B2	2/2017	Dinh	2015/0181967 A1	7/2015	Dinh
D783,418 S *	4/2017	Menkin D9/723	2015/0296913 A1	10/2015	Beschta
9,848,662 B2 *	12/2017	Dinh A41G 5/02	2015/0296914 A1	10/2015	Ngo
9,961,983 B2 *	5/2018	Carey A45D 44/14	2015/0305991 A1	10/2015	Raineau et al.
D830,745 S *	10/2018	Pedersen D6/675	2015/0359282 A1	12/2015	Calina
10,264,837 B2 *	4/2019	Park A45C 11/24	2016/0058087 A1	3/2016	Jang et al.
10,362,823 B1 *	7/2019	Hill B65D 85/70	2016/0058088 A1	3/2016	Le
2007/0050207 A1	3/2007	Merszei	2016/0088889 A1	3/2016	Kettavong
2007/0227550 A1	10/2007	Merszei	2016/0095374 A1	4/2016	Nguyen
2007/0295352 A1	12/2007	Dinh	2016/0106172 A1	4/2016	Kelson
2007/0295353 A1	12/2007	Dinh	2016/0183616 A1	6/2016	Dinh
2008/0196732 A1	8/2008	Merszei	2016/0192725 A1	7/2016	Merszei
2009/0178689 A1	7/2009	Navarro et al.	2016/0219959 A1	8/2016	Chipman et al.
2009/0217938 A1	9/2009	Rabe et al.	2016/0253713 A1	9/2016	Aarabi
2009/0217939 A1	9/2009	Rabe et al.	2016/0302505 A1	10/2016	Park
2009/0235950 A1	9/2009	Dinh	2016/0316840 A1	11/2016	Yang
2009/0241979 A1	10/2009	Navarro et al.	2016/0353821 A1	12/2016	Calina
			2016/0353861 A1	12/2016	Carey
			2017/0020219 A1	1/2017	Beschta
			2017/0029203 A1	2/2017	Dinh
			2017/0049173 A1	2/2017	Dinh
			2017/0079356 A1	3/2017	Dinh
			2017/0079357 A1	3/2017	Dinh

* cited by examiner

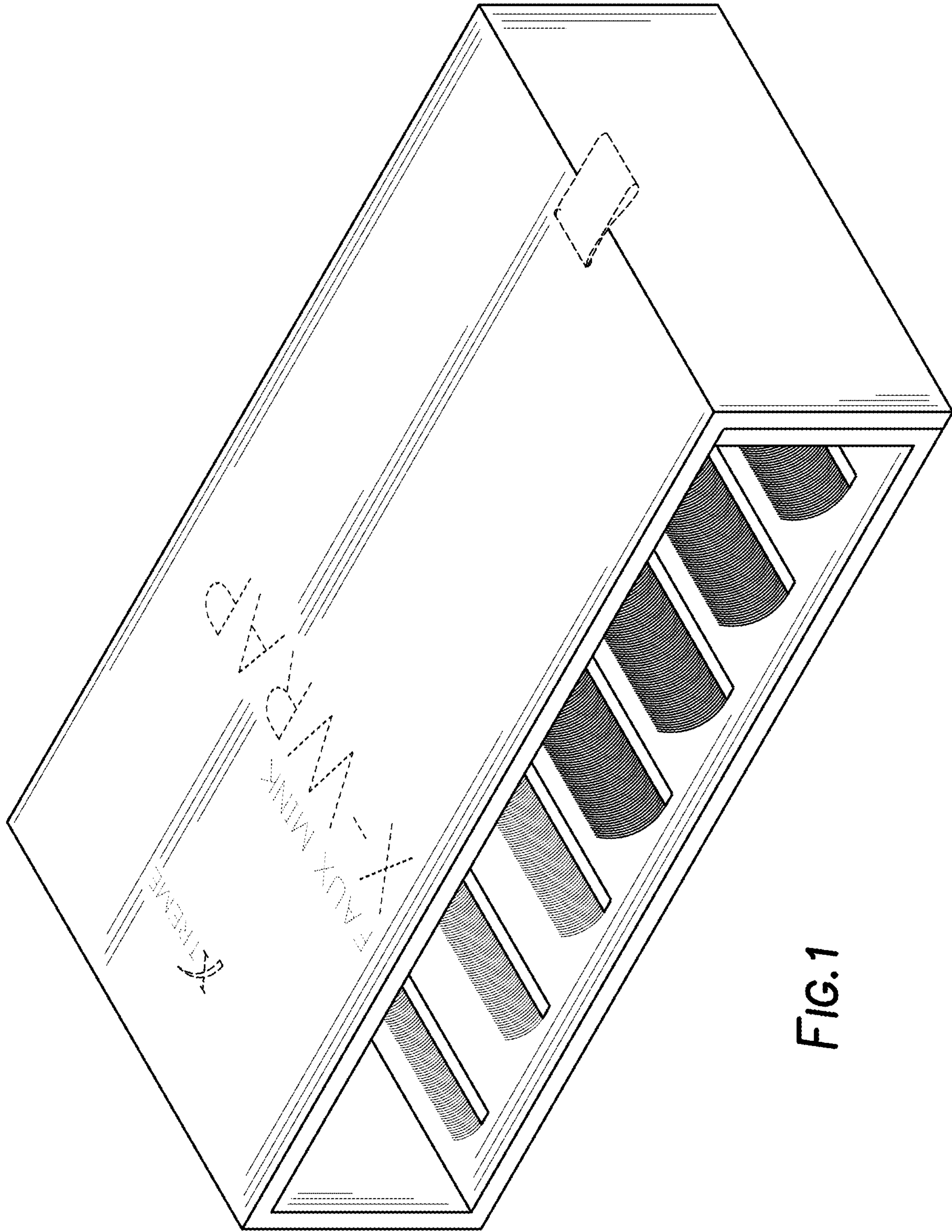


FIG.1

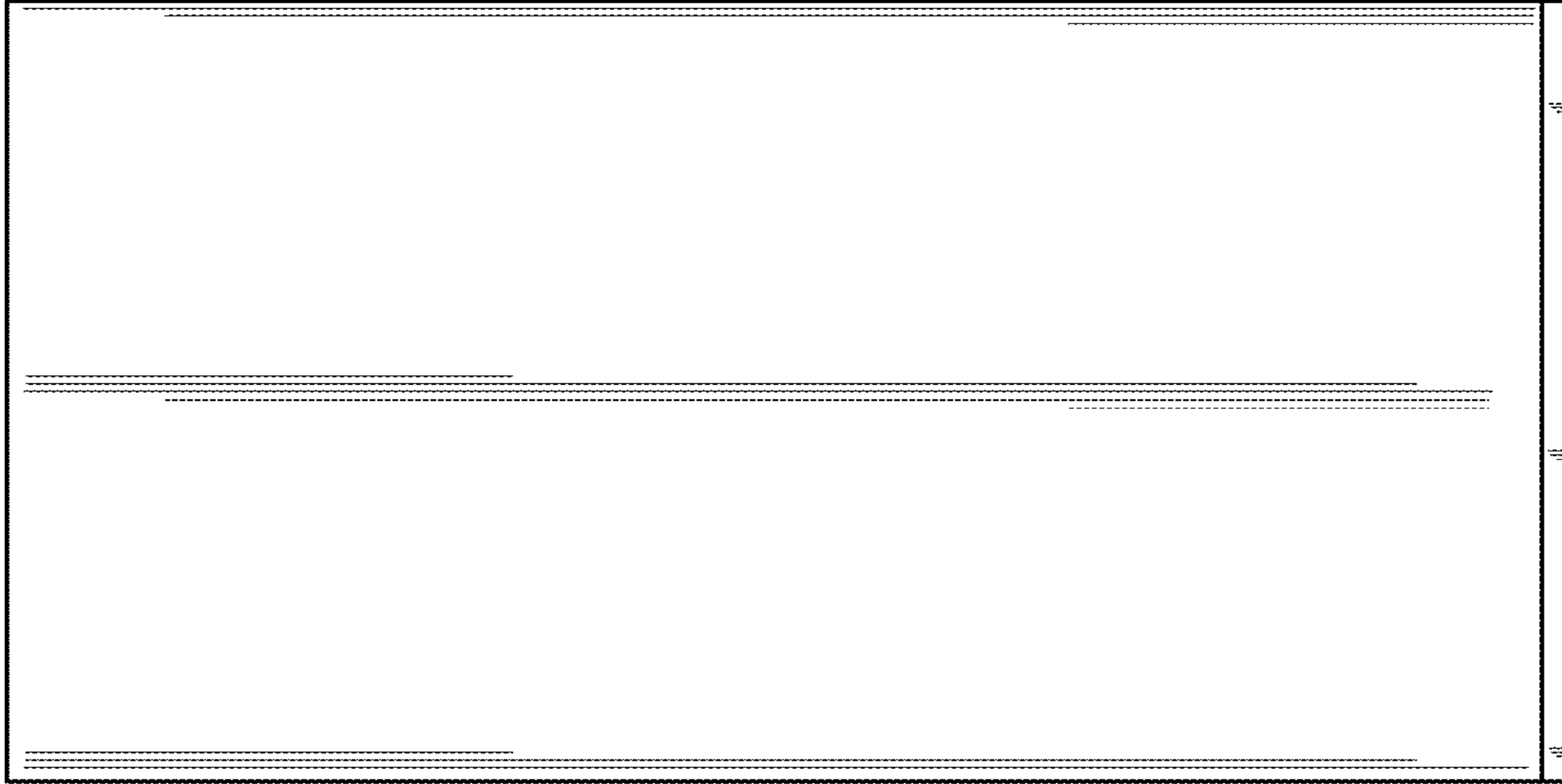


FIG.3

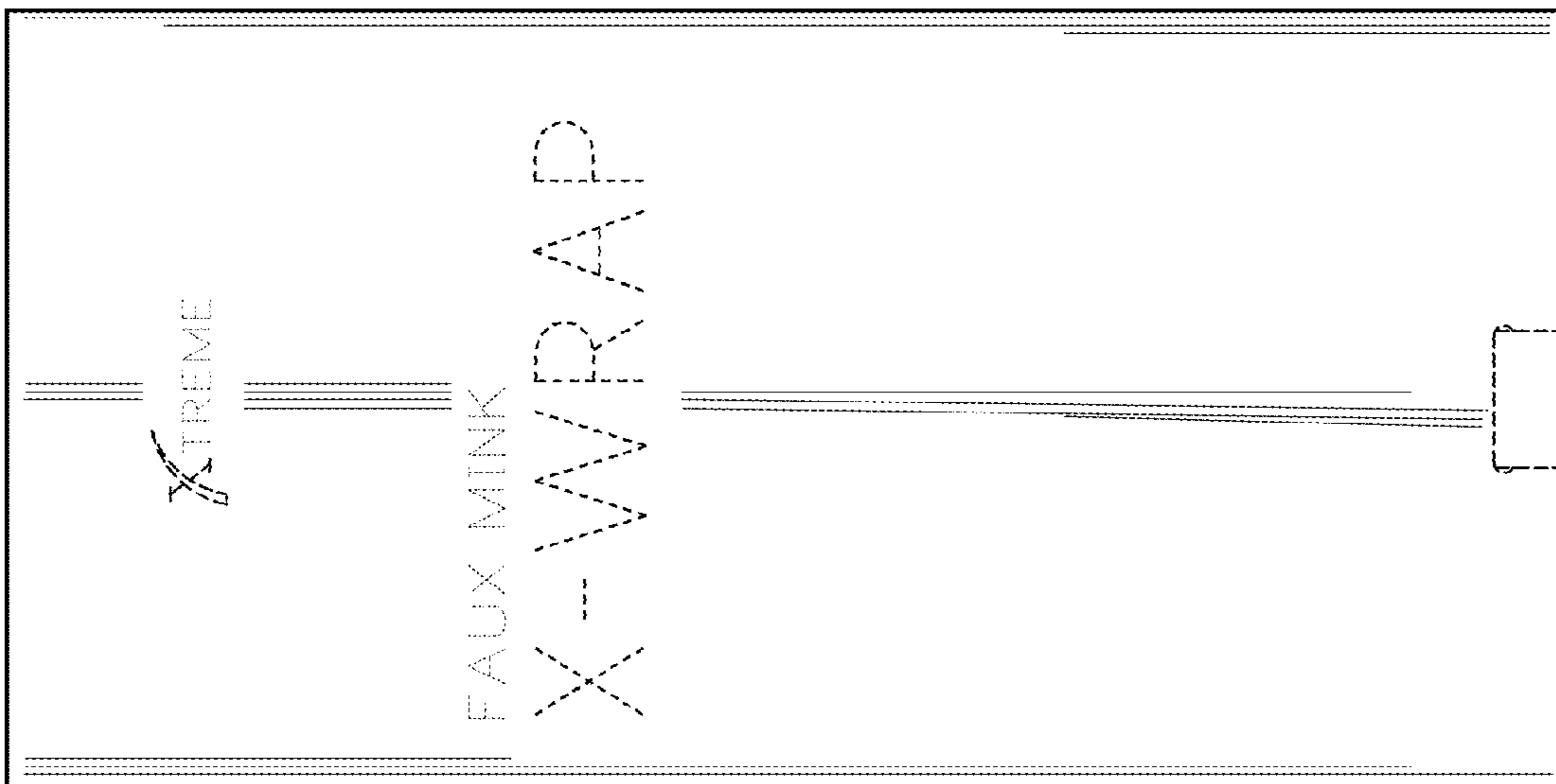
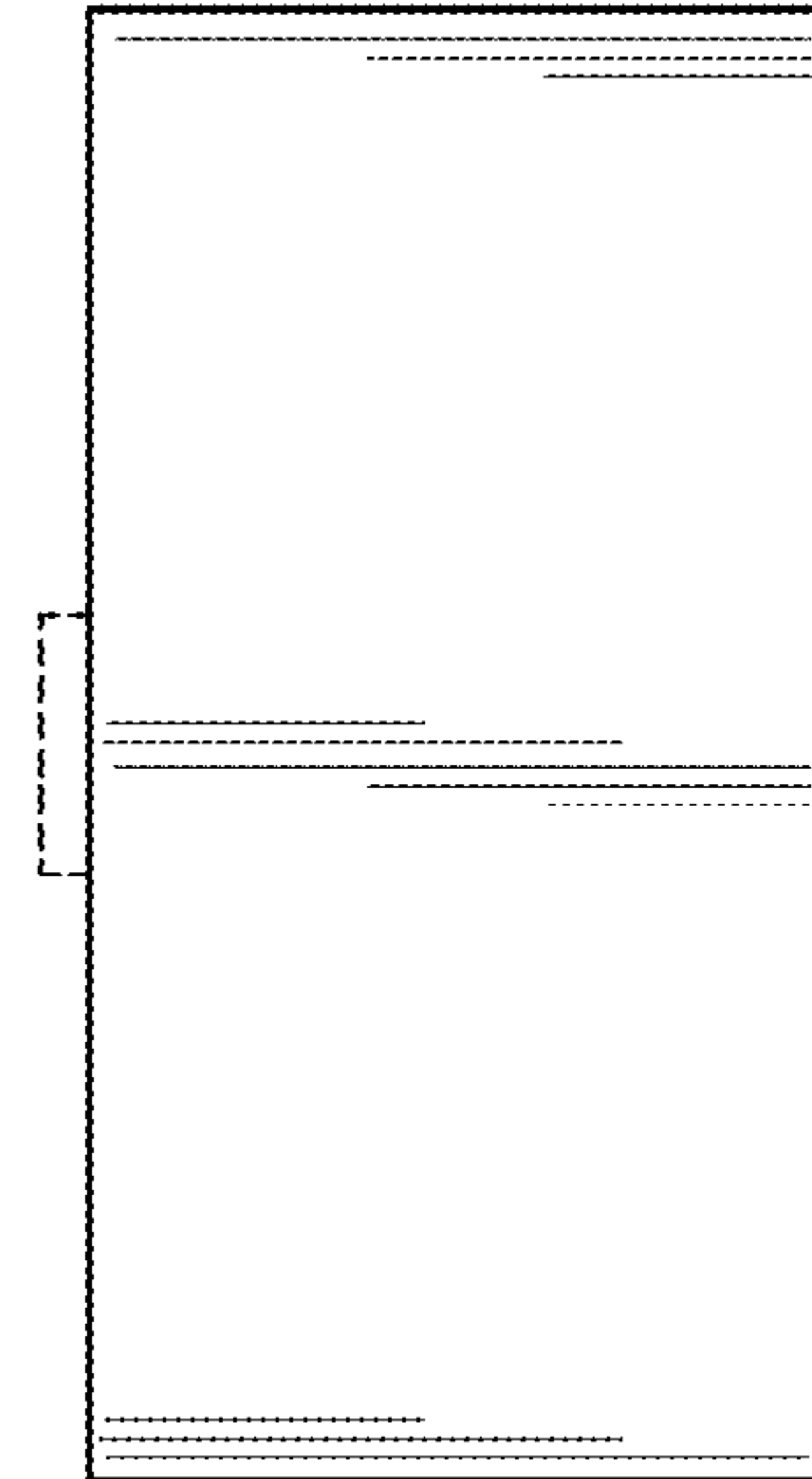
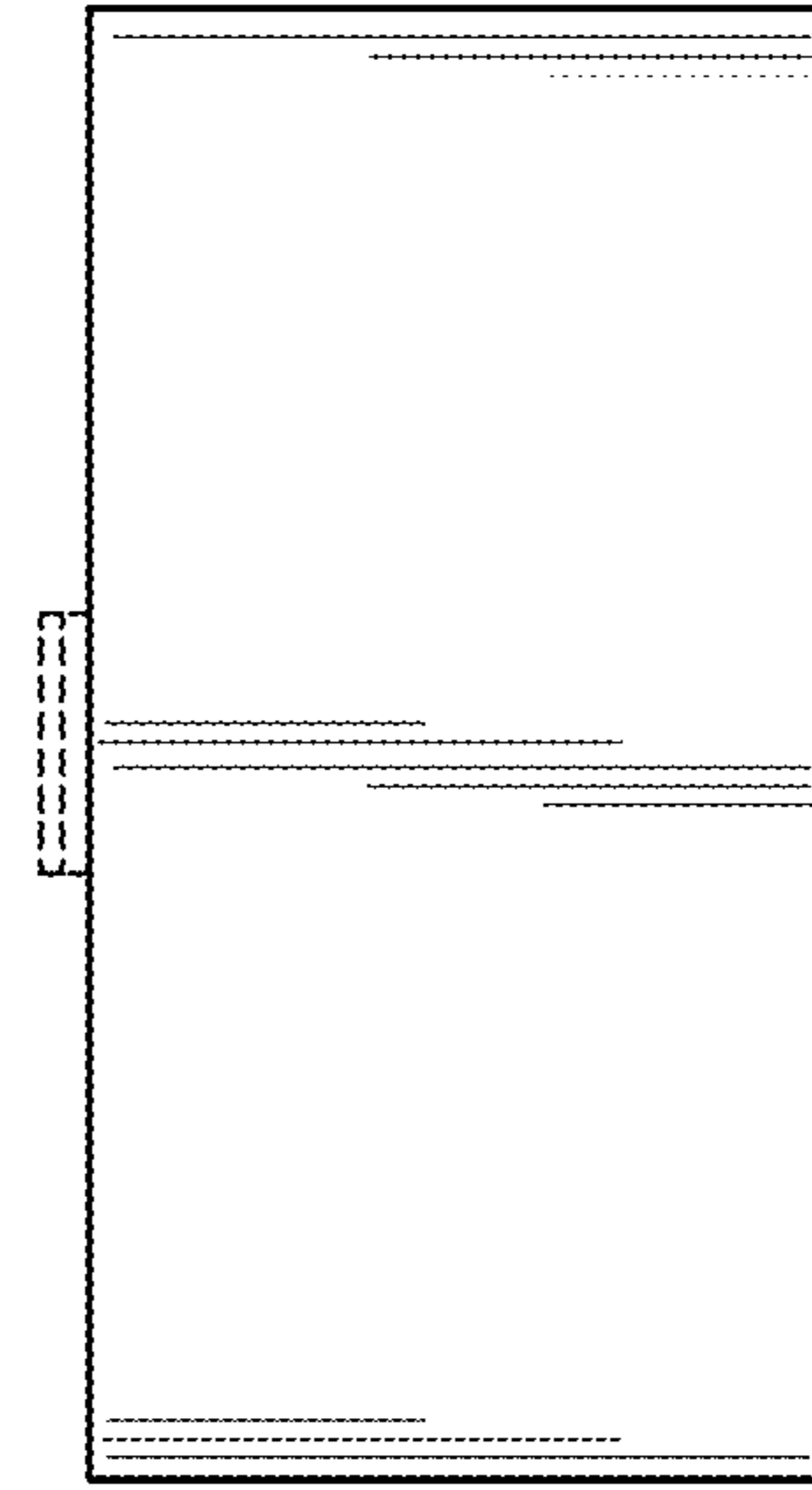
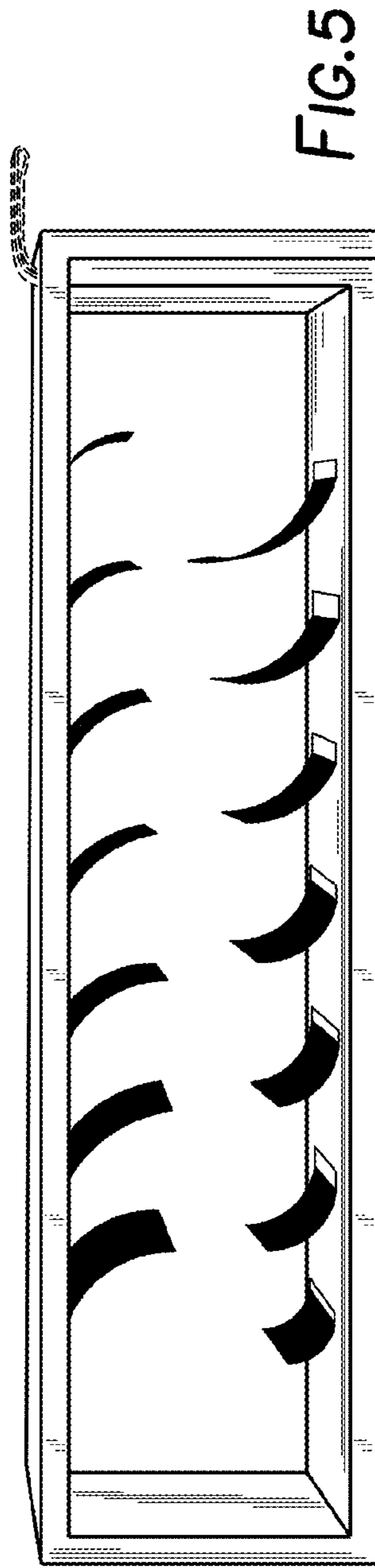
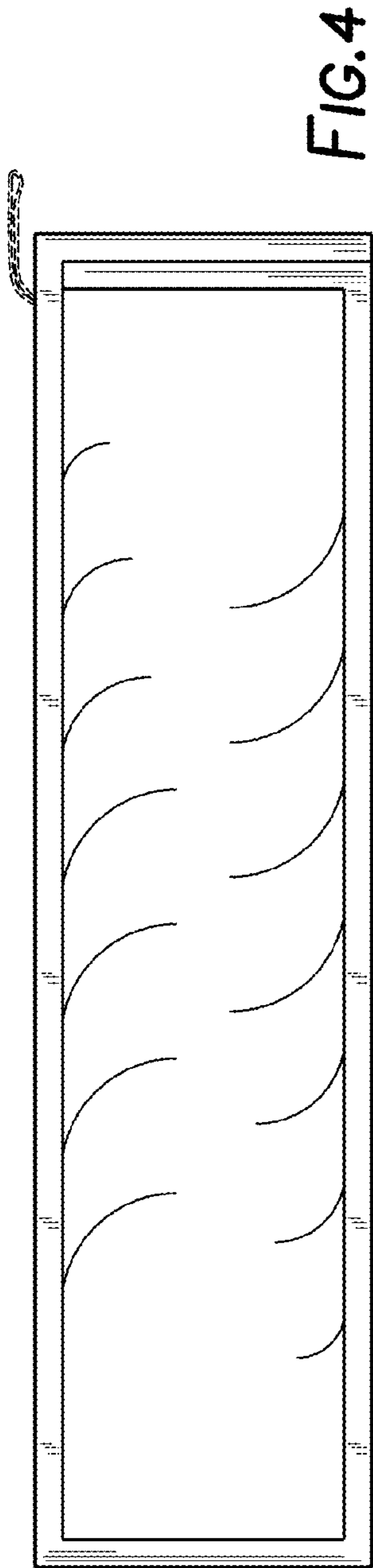


FIG.2



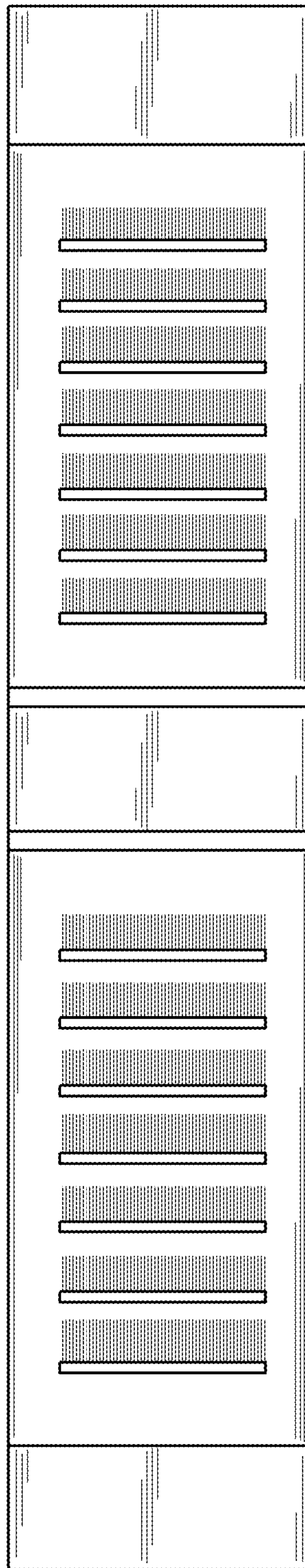


FIG.8

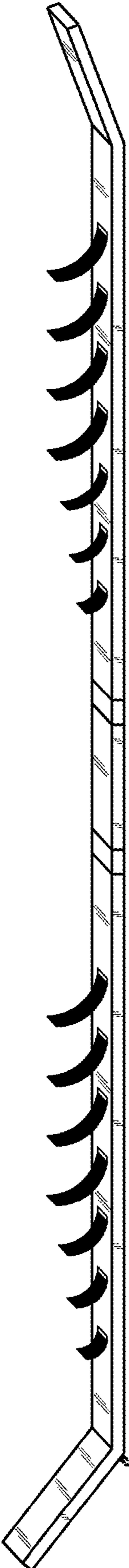


FIG.9