



US00D925348S

(12) **United States Design Patent** (10) **Patent No.:** **US D925,348 S**  
**Norfleet et al.** (45) **Date of Patent:** **\*\* Jul. 20, 2021**

(54) **SAFETY BUMPER FOR A TRAILER TAILGATE**

(71) Applicant: **Backsaver International, Inc.**,  
Somerset, KY (US)

(72) Inventors: **Ralph Norfleet**, Somerset, KY (US);  
**Jason Norfleet**, Somerset, KY (US)

(73) Assignee: **BACKSAVER INTERNATIONAL, INC.**,  
Somerset, KY (US)

(\*\*) Term: **15 Years**

(21) Appl. No.: **29/639,137**

(22) Filed: **Mar. 5, 2018**

**Related U.S. Application Data**

(62) Division of application No. 29/564,004, filed on May 10, 2016, now Pat. No. Des. 814,358.

(51) **LOC (13) Cl.** ..... **08-09**

(52) **U.S. Cl.**  
USPC ..... **D8/403; D12/106**

(58) **Field of Classification Search**  
USPC ..... D8/349, 354, 382, 400-499, 374;  
D12/19, 129, 100-106, 111-112, 162,  
D12/425, 435; D34/21-26, 12, 16-19;  
D21/824, 837, 838, 811, 814; D25/17,  
D25/18, 56, 60, 102; D6/702, 301, 300;  
D9/456, 434

CPC ..... B65D 81/057; A47G 1/0638; A47G 1/17;  
E06B 9/52; A47B 95/043

See application file for complete search history.

(56) **References Cited**

**U.S. PATENT DOCUMENTS**

1,830,945 A \* 11/1931 Inglis ..... E06B 9/52  
160/381  
2,885,139 A \* 5/1959 Werner ..... B65D 81/057  
206/586

3,144,236 A \* 8/1964 Clanin ..... A47B 95/043  
150/154  
D221,958 S \* 9/1971 Finebaum ..... D8/403  
4,134,496 A \* 1/1979 Smith ..... B65D 81/057  
206/453  
D301,953 S \* 7/1989 Evenson ..... D8/349  
D361,846 S \* 8/1995 Te’Kannon ..... D25/102  
D388,317 S \* 12/1997 Brandes ..... D8/403  
5,947,437 A \* 9/1999 Tate ..... A47G 1/17  
248/216.1  
D415,677 S \* 10/1999 Cheung ..... D8/403  
(Continued)

**OTHER PUBLICATIONS**

Amazon.com. “Camco 42203 Black Slide-Out Corner Guard—Pack of 4” Camco. Reviewed Oct. 2, 2010. Retrieved Dec. 1, 2020. (<https://www.amazon.com/Camco-42203-Black-Slide-Out-Corner/dp/B000PD64XY/>).\*

(Continued)

*Primary Examiner* — Susan E Krakower

*Assistant Examiner* — Jerry Shiuhan-Hua Hsu

(74) *Attorney, Agent, or Firm* — Dickinson Wright PLLC

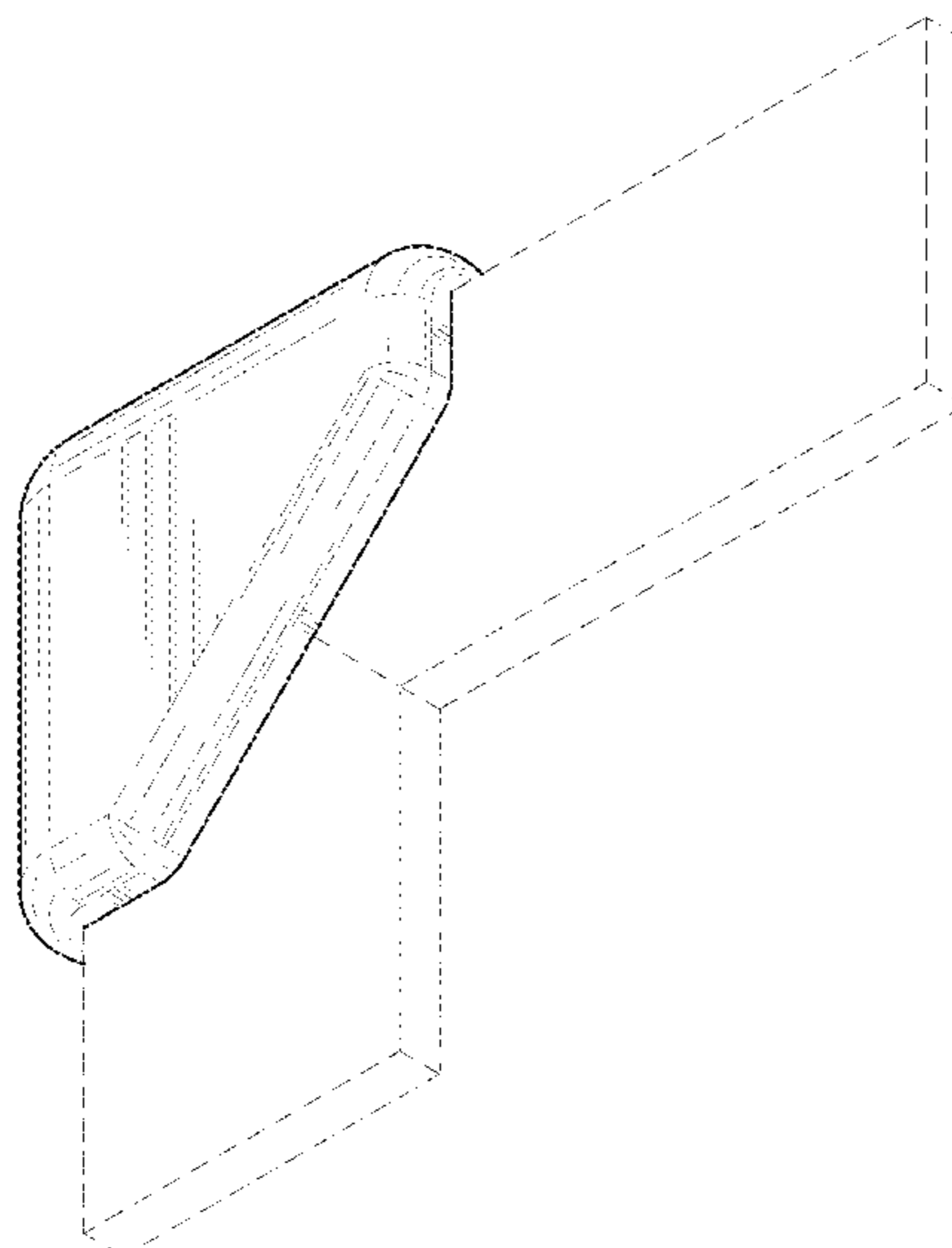
(57) **CLAIM**

The ornamental design for a safety bumper for a trailer tailgate, as shown and described.

**DESCRIPTION**

FIG. 1 is a bottom isometric view of the safety bumper for a trailer tailgate, showing our new design, in a state of use; FIG. 2 is a top isometric view thereof; FIG. 3 is a bottom isometric view thereof; FIG. 4 is a rear view thereof; FIG. 5 is a left side view thereof; and, FIG. 6 is a right side view thereof. The broken lines illustrating a trailer tailgate frame depict environmental structure that forms no part of the claimed design.

**1 Claim, 3 Drawing Sheets**



(56)

**References Cited**

U.S. PATENT DOCUMENTS

D461,715 S \* 8/2002 Hamada ..... D9/456  
D484,780 S \* 1/2004 Barile, Sr. .... D8/382  
D554,565 S \* 11/2007 Brown ..... D12/106  
D625,595 S \* 10/2010 Park ..... D8/402  
D762,529 S \* 8/2016 Marquart ..... D12/106  
D801,798 S \* 11/2017 Teng ..... D8/403  
10,117,531 B1 \* 11/2018 Hoban ..... A47G 1/0638  
D883,859 S \* 5/2020 Norfleet ..... D12/106  
D893,290 S \* 8/2020 Wojcik ..... D8/382  
2008/0179216 A1 \* 7/2008 Kari ..... B65D 81/057  
206/586

OTHER PUBLICATIONS

Amazon.com. "CRL ¼" Vinyl Corner Covers—100 pack" C.R. Laurence. Reviewed Oct. 14, 2015. Retrieved Nov. 26, 2020. (<https://www.amazon.com/CRL-Vinyl-Corner-Covers-pack/dp/B001C7LI88/>).\*

\* cited by examiner

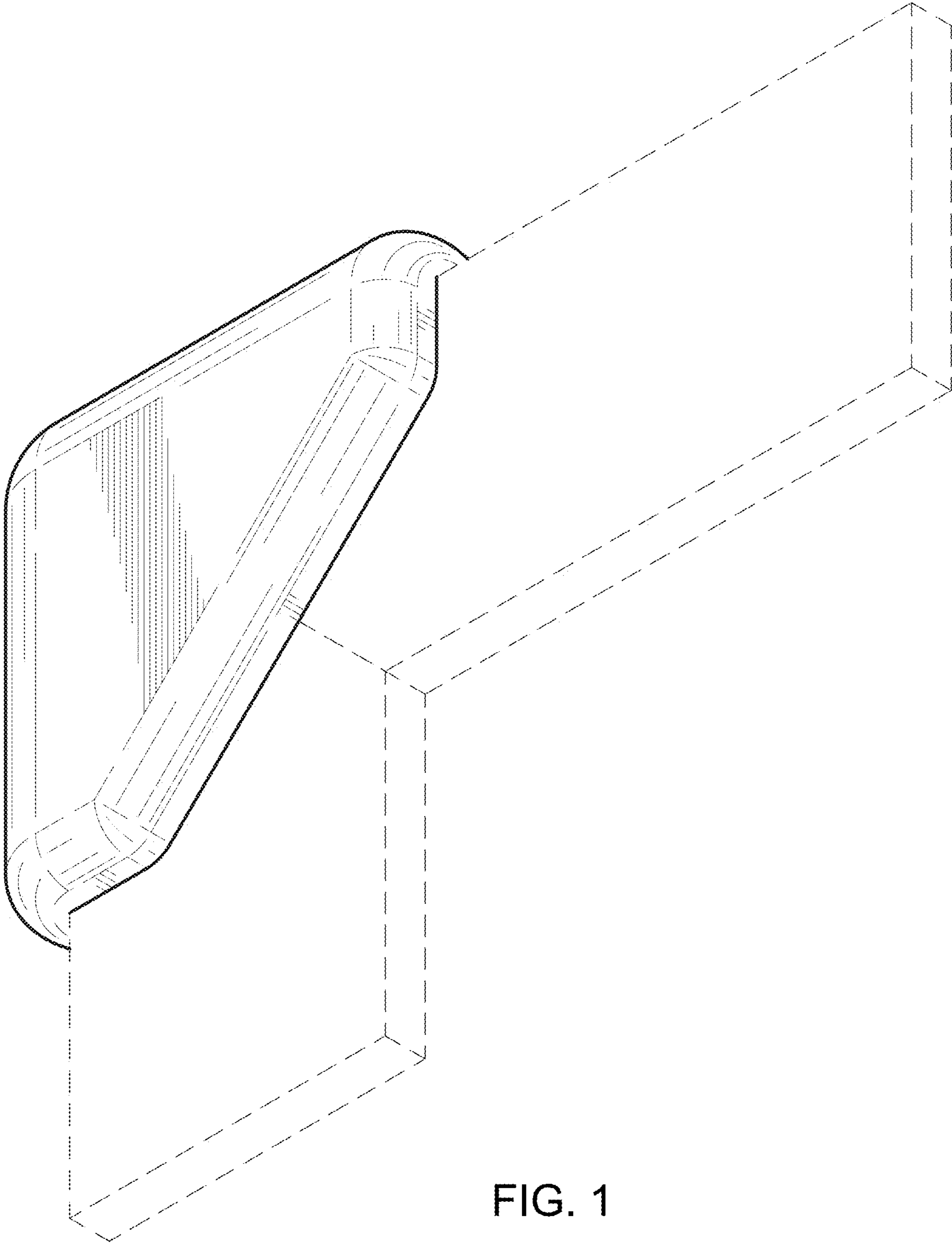


FIG. 1

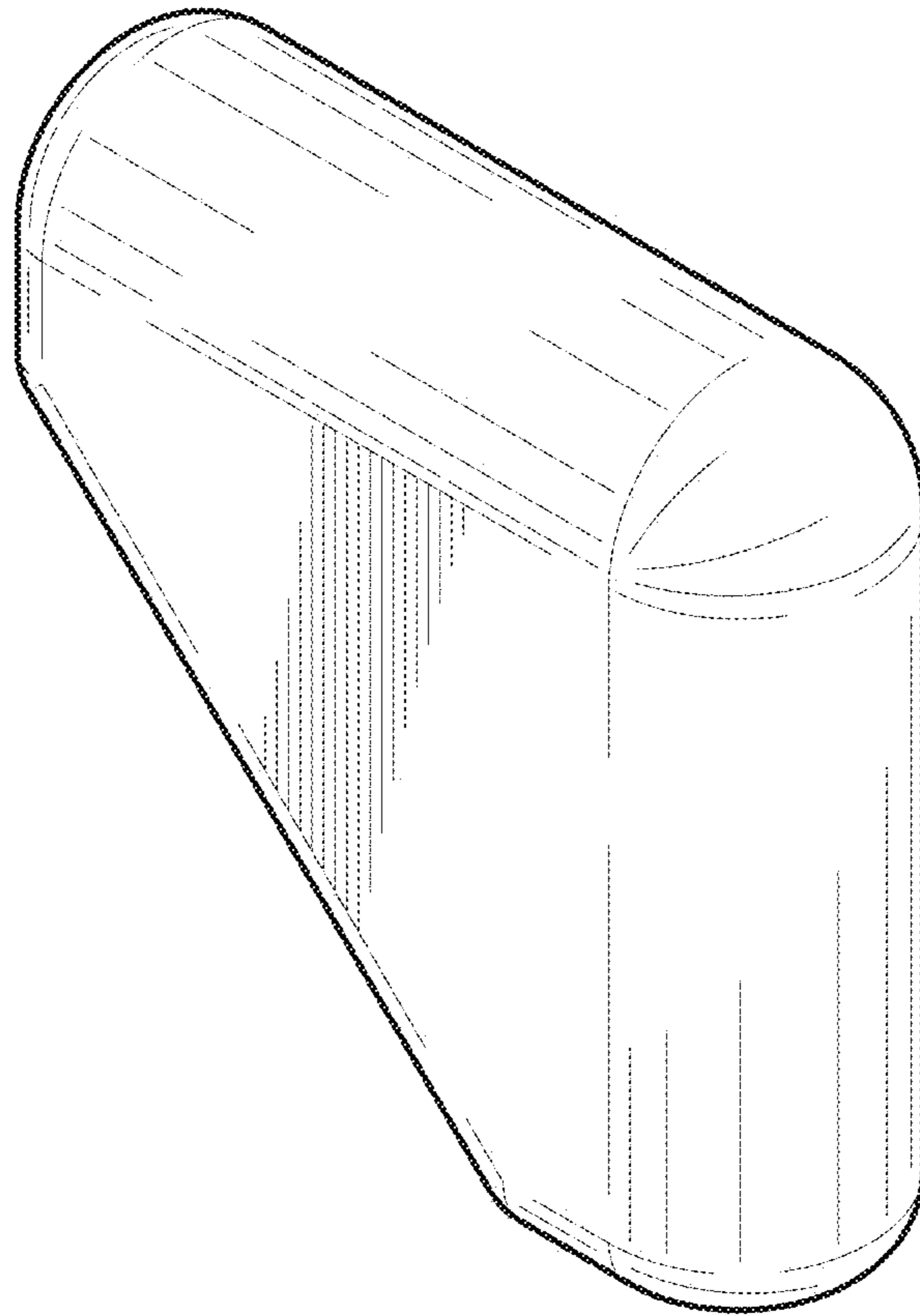


FIG. 2

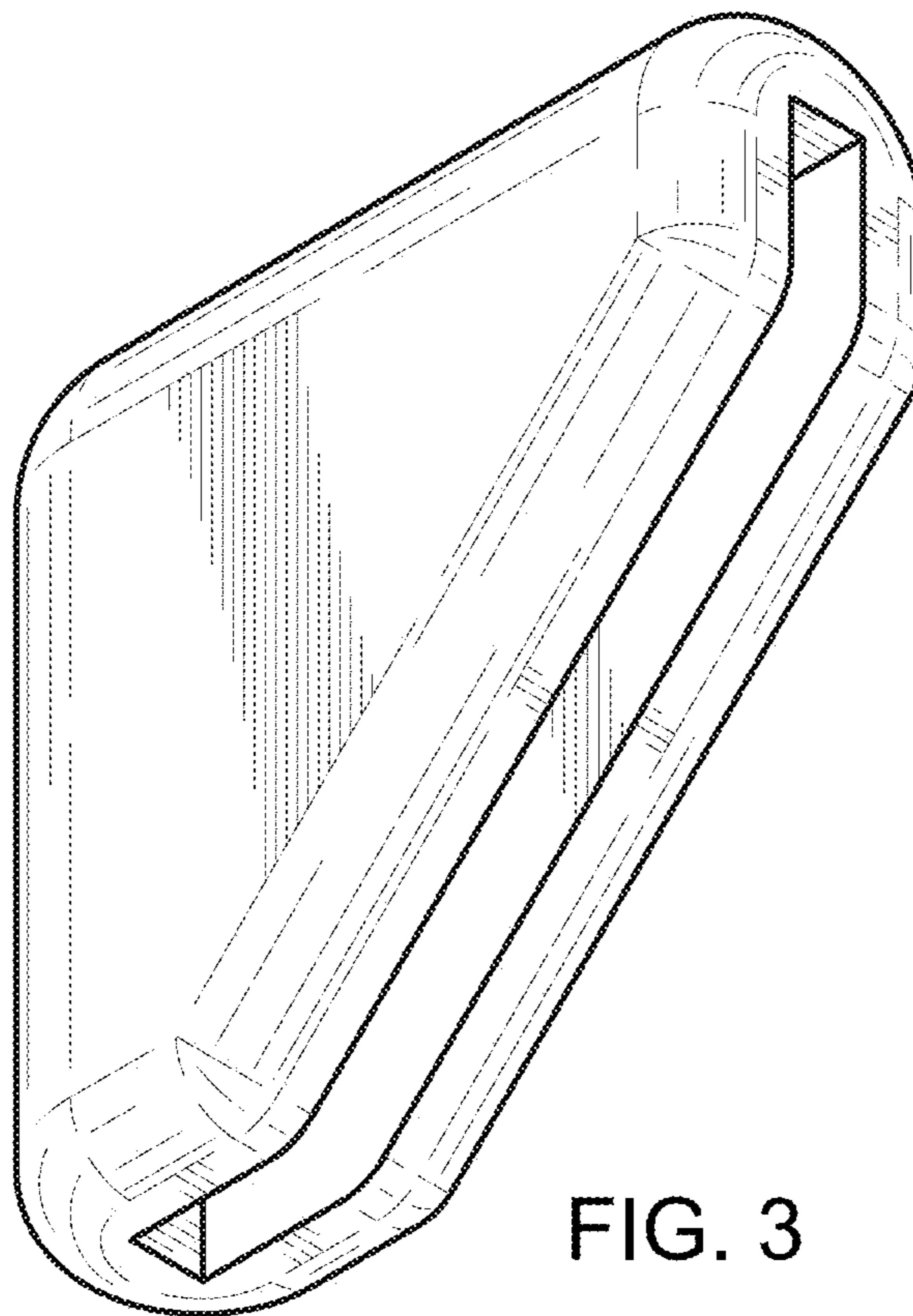


FIG. 3

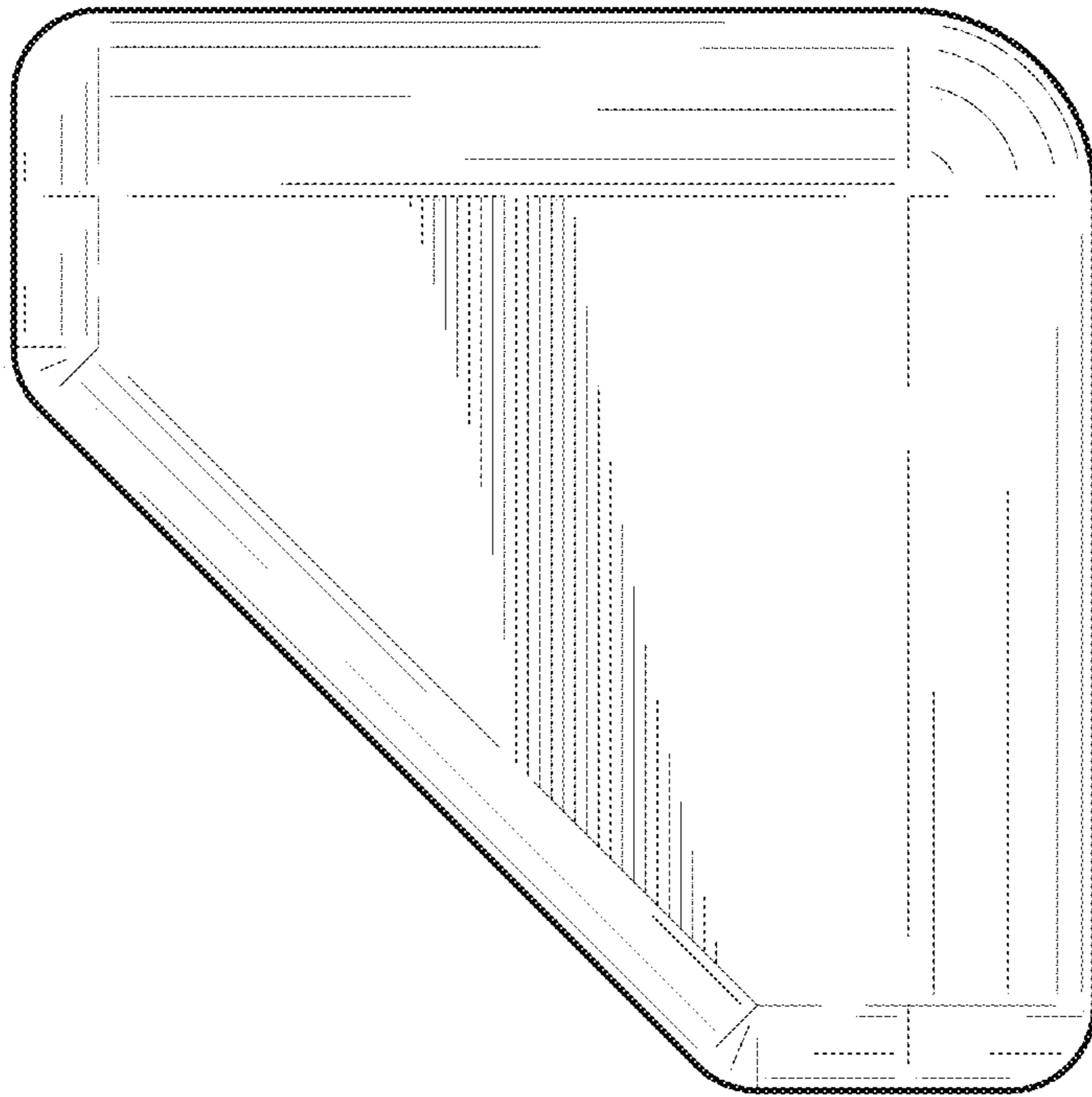


FIG. 4

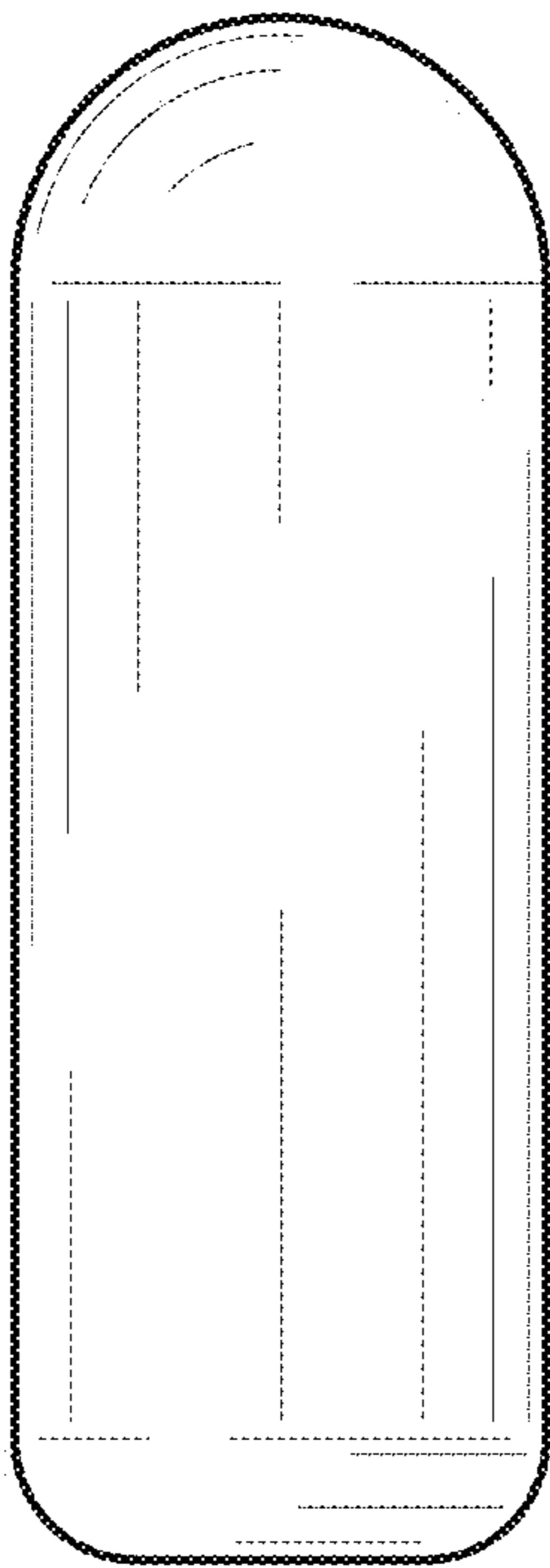


FIG. 5

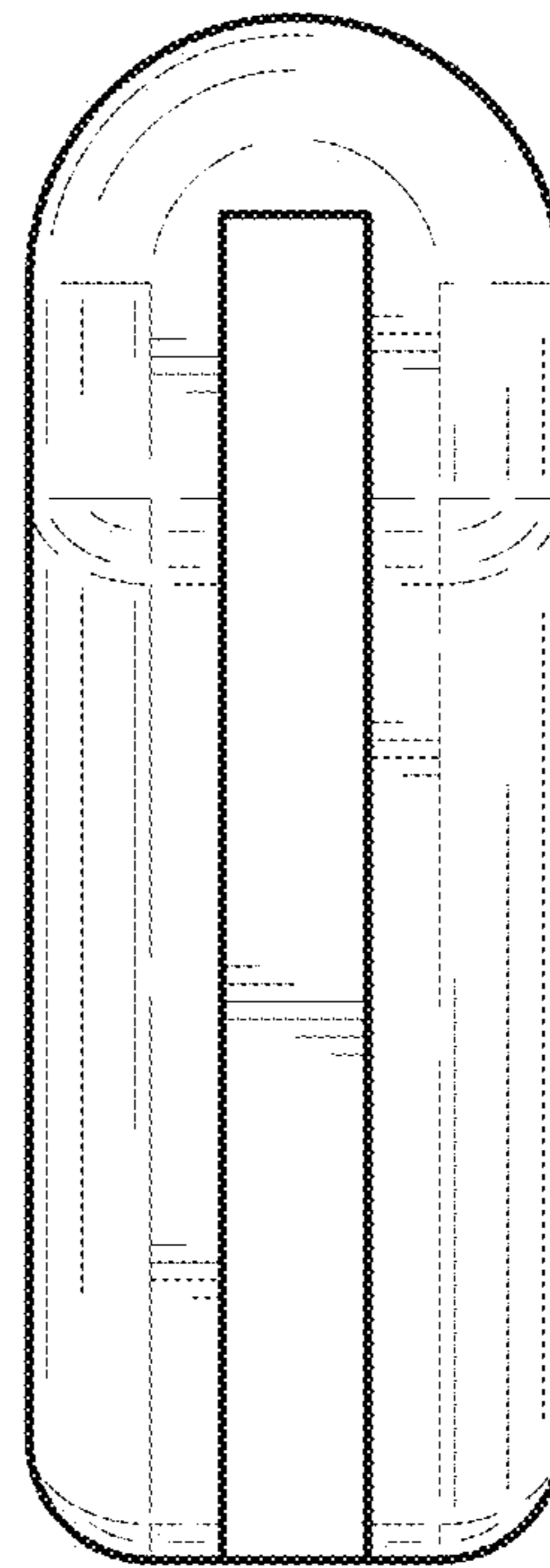


FIG. 6