



US00D925344S

(12) **United States Design Patent**
Sutliff, II

(10) **Patent No.:** **US D925,344 S**

(45) **Date of Patent:** **** Jul. 20, 2021**

- (54) **TARP COMPRESSING DEVICE**
- (71) Applicant: **Charles Weiss Sutliff, II**, Kila, MT
(US)
- (72) Inventor: **Charles Weiss Sutliff, II**, Kila, MT
(US)
- (**) Term: **15 Years**
- (21) Appl. No.: **29/647,379**
- (22) Filed: **May 11, 2018**
- (51) **LOC (13) Cl.** **08-08**
- (52) **U.S. Cl.**
USPC **D8/394**
- (58) **Field of Classification Search**
USPC D8/330, 349, 367, 382, 383, 394, 395;
D21/839
CPC A45F 5/02; A45F 2005/026; A44B 13/00;
F16B 2/00; F16B 2/005; F16B 2/02;
Y10T 24/44; Y10T 24/44034; Y10T
24/13; Y10T 24/44043; Y10T 24/44547
See application file for complete search history.

(56) **References Cited**

U.S. PATENT DOCUMENTS

- 2,939,195 A * 6/1960 Carlson F16B 2/248
24/459
- 3,780,400 A * 12/1973 Hinsperger A44B 1/185
24/16 PB
- 3,936,912 A * 2/1976 Flanagan, Jr. E04H 15/64
24/459
- D253,734 S * 12/1979 Howard D12/317
- D271,661 S * 12/1983 Stark D8/330
- D277,642 S * 2/1985 Hinsperger D21/839
- D288,464 S * 2/1987 Udelhofen D21/839
- 4,660,240 A * 4/1987 Hutton A47C 21/022
24/300
- 4,688,304 A * 8/1987 Marcott A47K 10/12
135/119
- 5,033,170 A * 7/1991 Ewert E04H 15/64
24/459

- 5,046,222 A * 9/1991 Byers D06F 55/00
24/343
- D327,149 S * 6/1992 Harper, IV D32/61
- 5,168,605 A * 12/1992 Bartlett A47C 21/022
24/129 R

(Continued)

OTHER PUBLICATIONS

Byers Trap Clip, amazon.com, https://www.amazon.com/Byers-15-Piece-Super-Snaps-Box/dp/B000SOLELW/ref=sr_1_13?dchild=1&keywords=tarp+clip&qid=1611246340&sr=8-13 (Year: 2010).*

(Continued)

Primary Examiner — Steven J Cxyz

(74) Attorney, Agent, or Firm — Sarah J. Rhoades

(57) **CLAIM**

The ornamental design for a tarp compressing device, as shown and described.

DESCRIPTION

FIG. 1 is a top perspective view of a tarp compressing device, shown with the compression element disengaged from the receiving element;

FIG. 2 is a front view thereof;

FIG. 3 is a top view thereof;

FIG. 4 is a bottom view thereof;

FIG. 5 is a rear view thereof;

FIG. 6 is a right side view thereof;

FIG. 7 is a left side view thereof;

FIG. 8 is a front view of the tarp compressing device, shown with environment and with the compression element engaged with the receiving element;

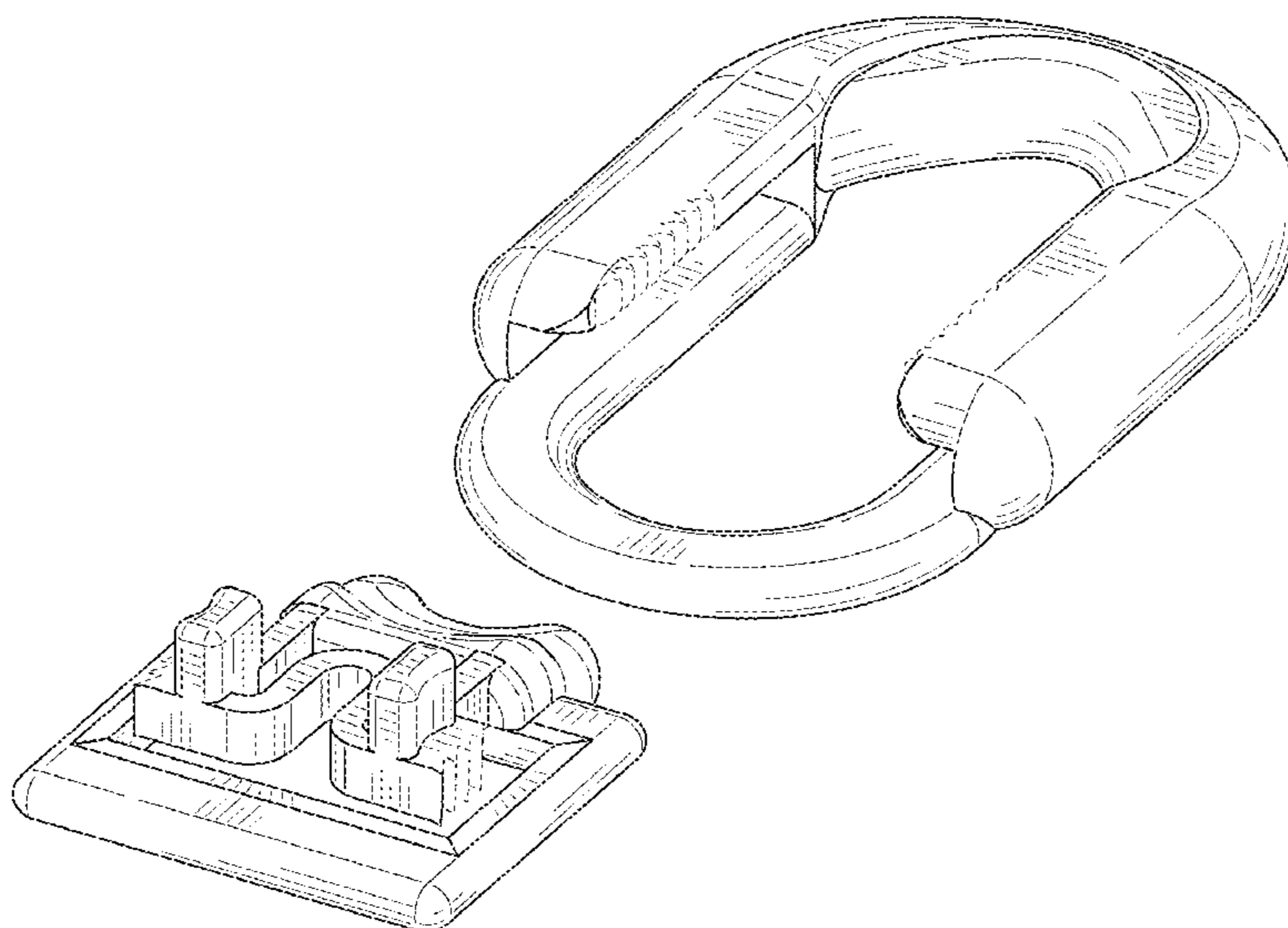
FIG. 9 is a top view thereof;

FIG. 10 is a right side view thereof; and,

FIG. 11 is a left side view thereof.

The broken lines depict portions of the article and environment that form no part of the claimed design.

1 Claim, 5 Drawing Sheets



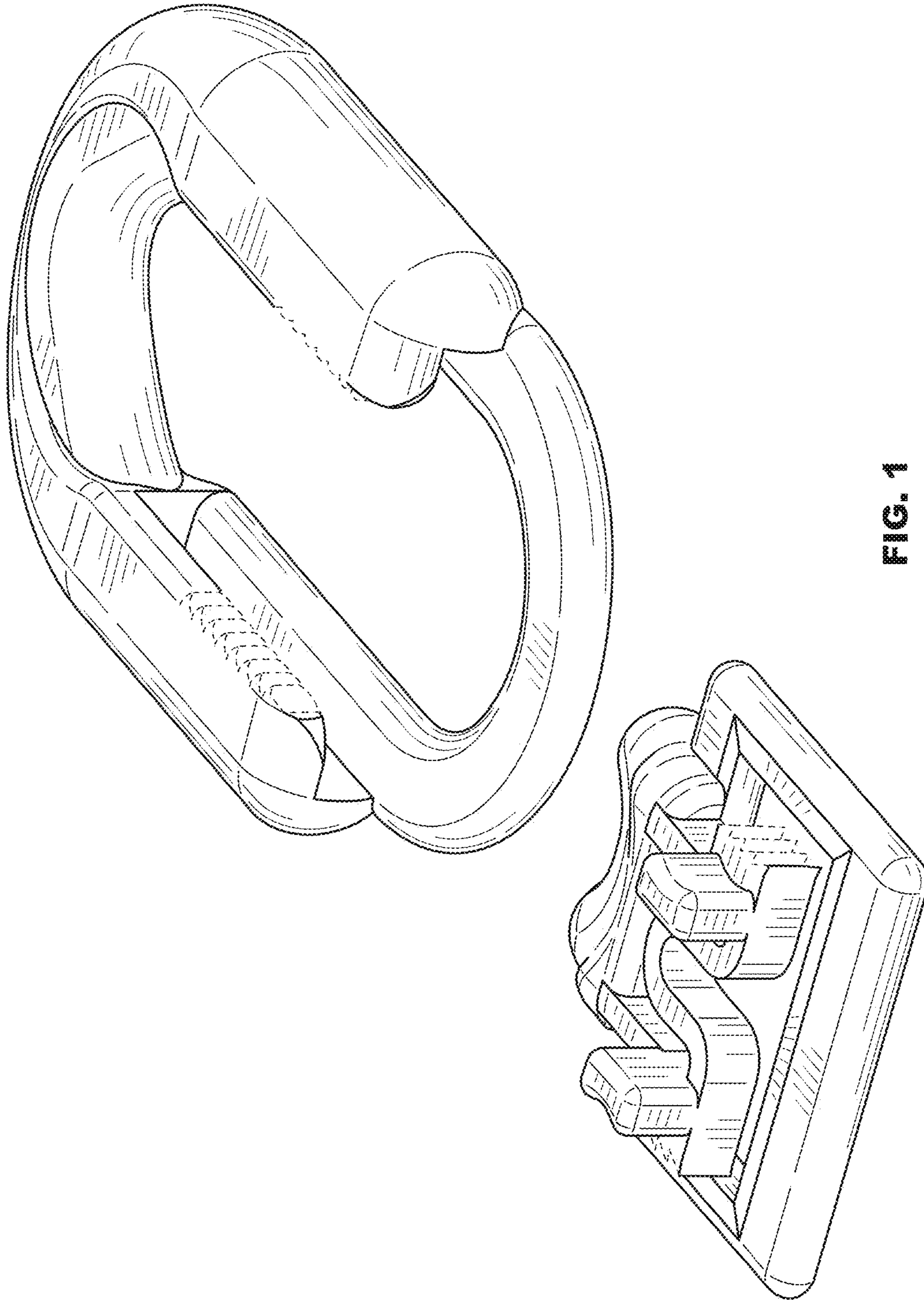


FIG. 1

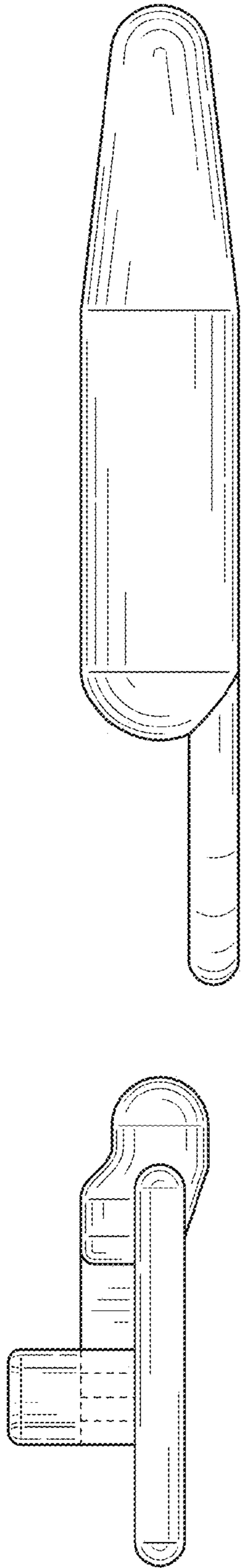


FIG. 2

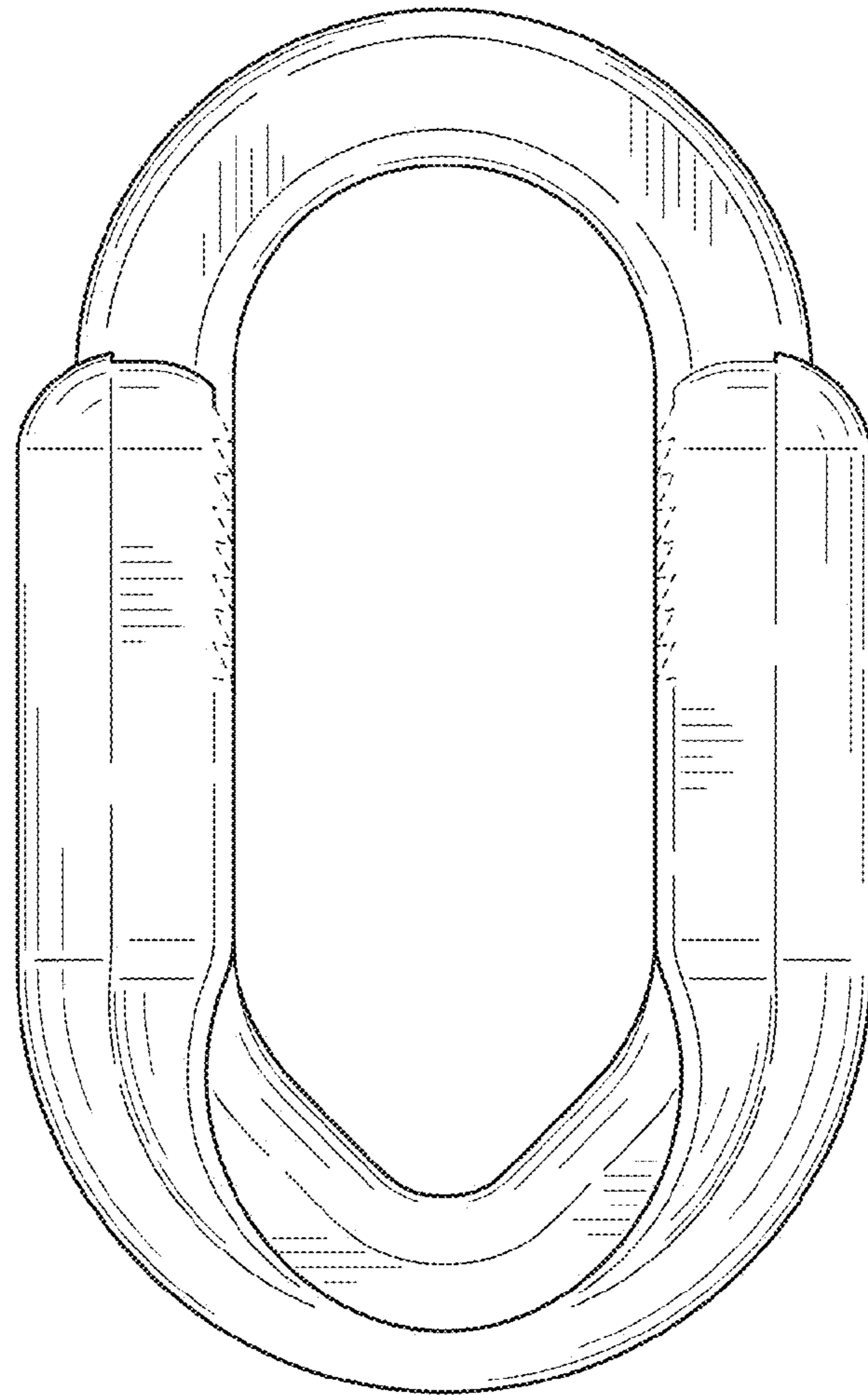
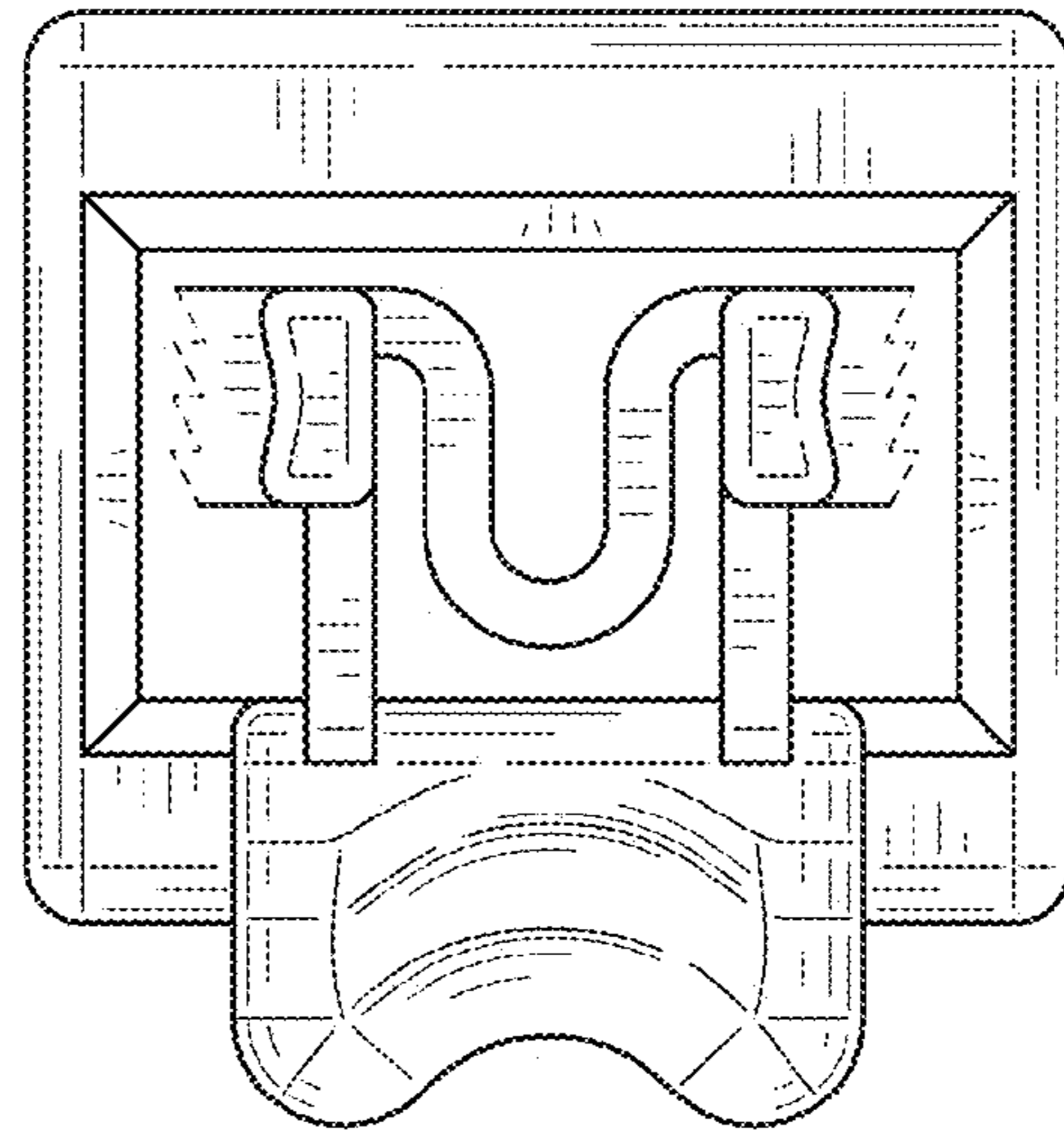


FIG. 3

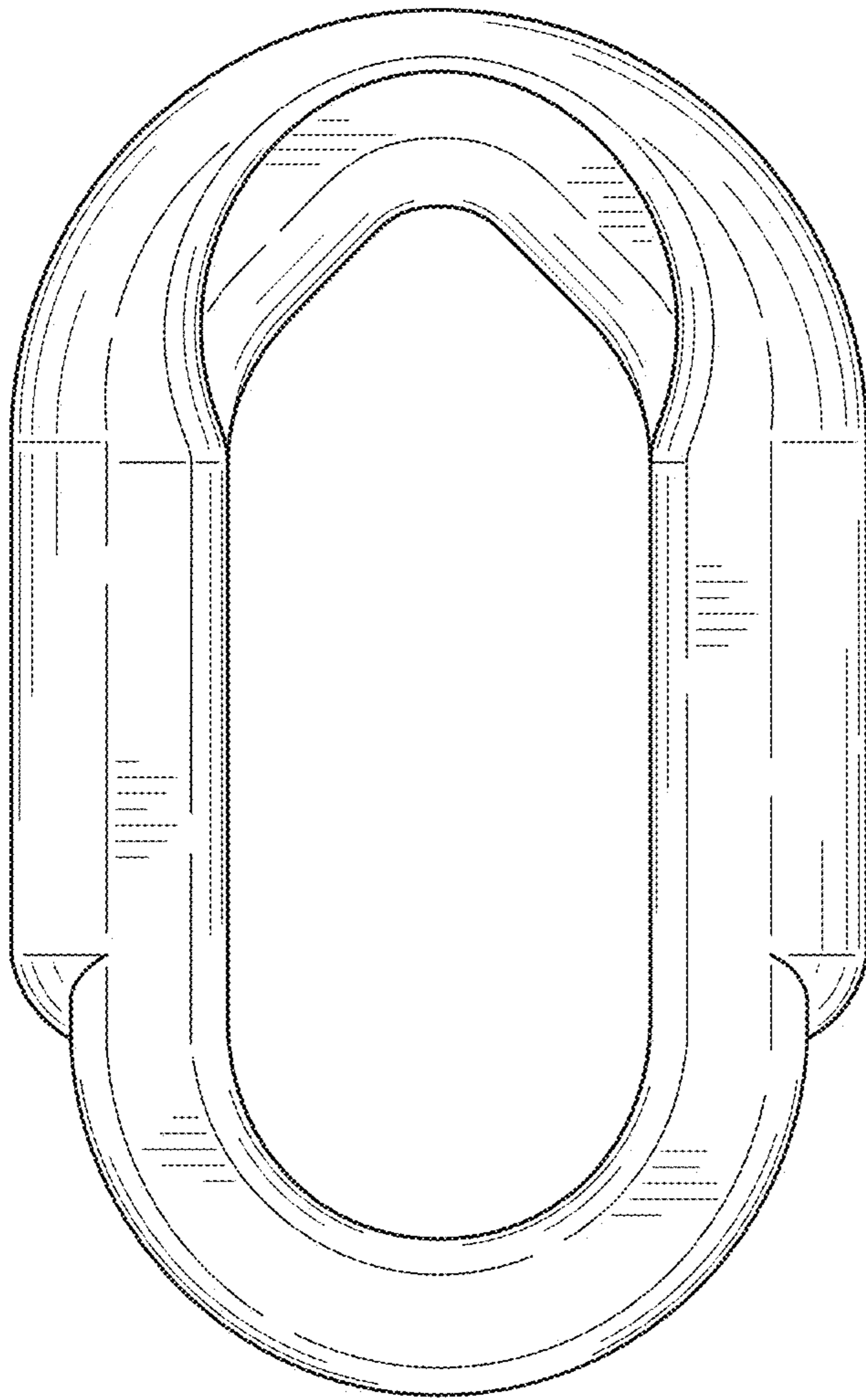


FIG. 4

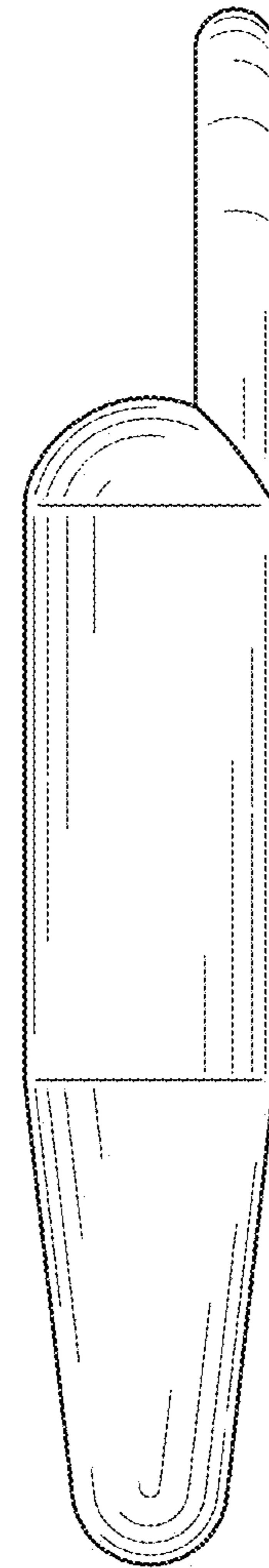
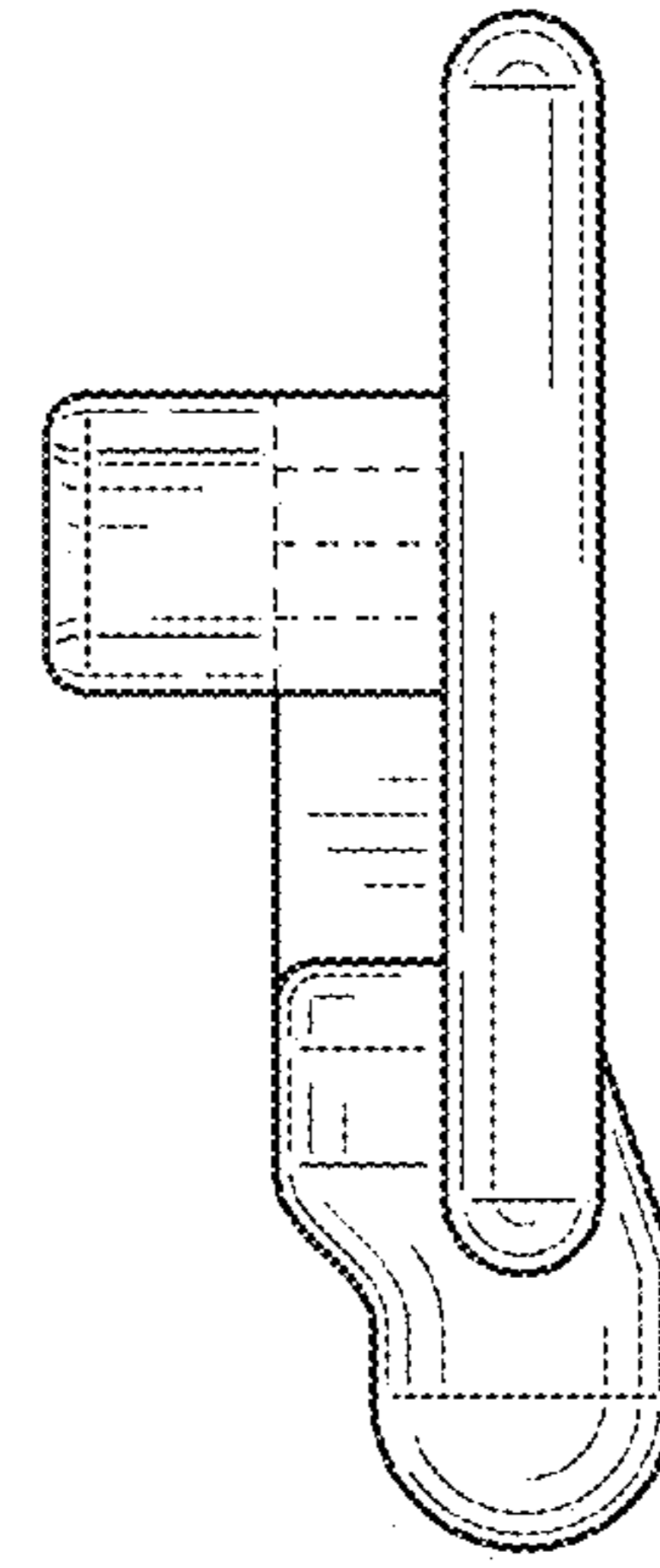
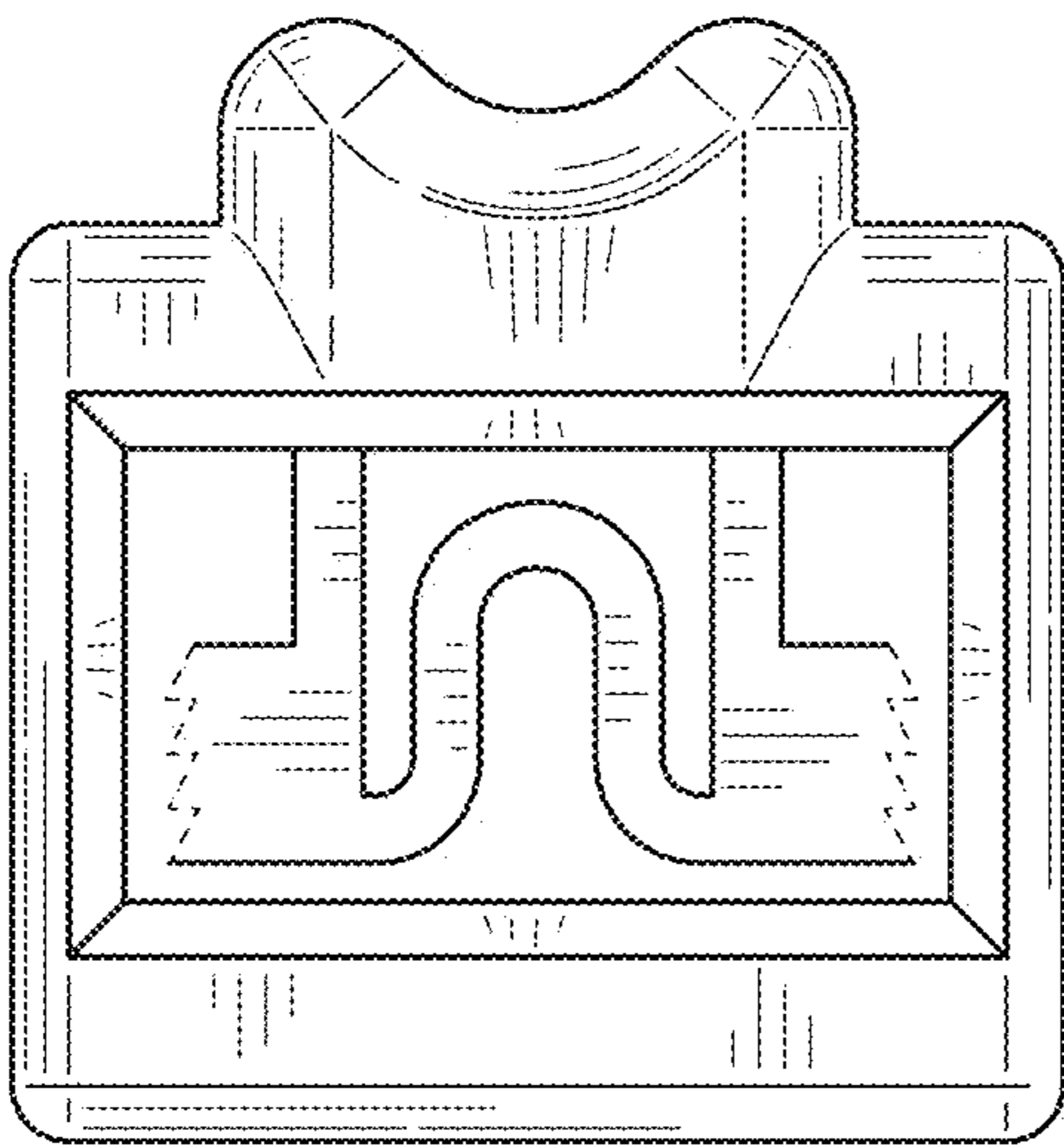


FIG. 5

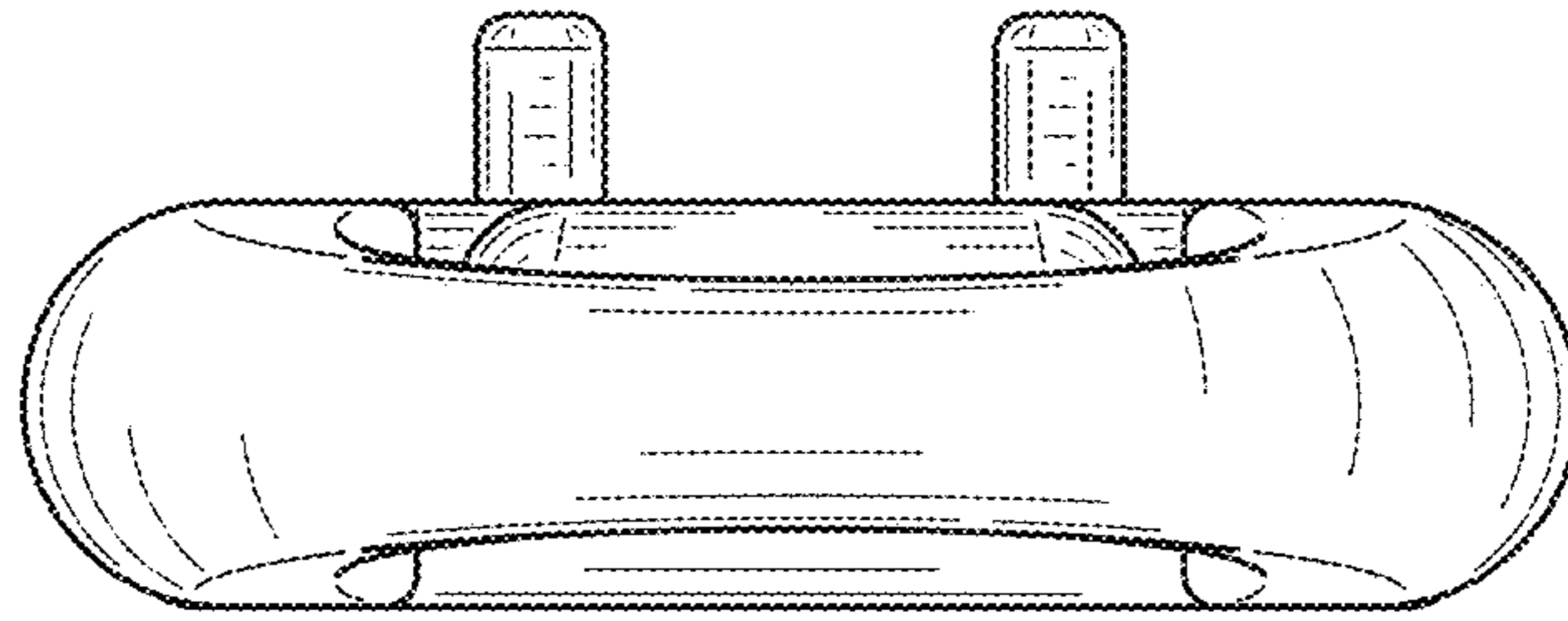


FIG. 6

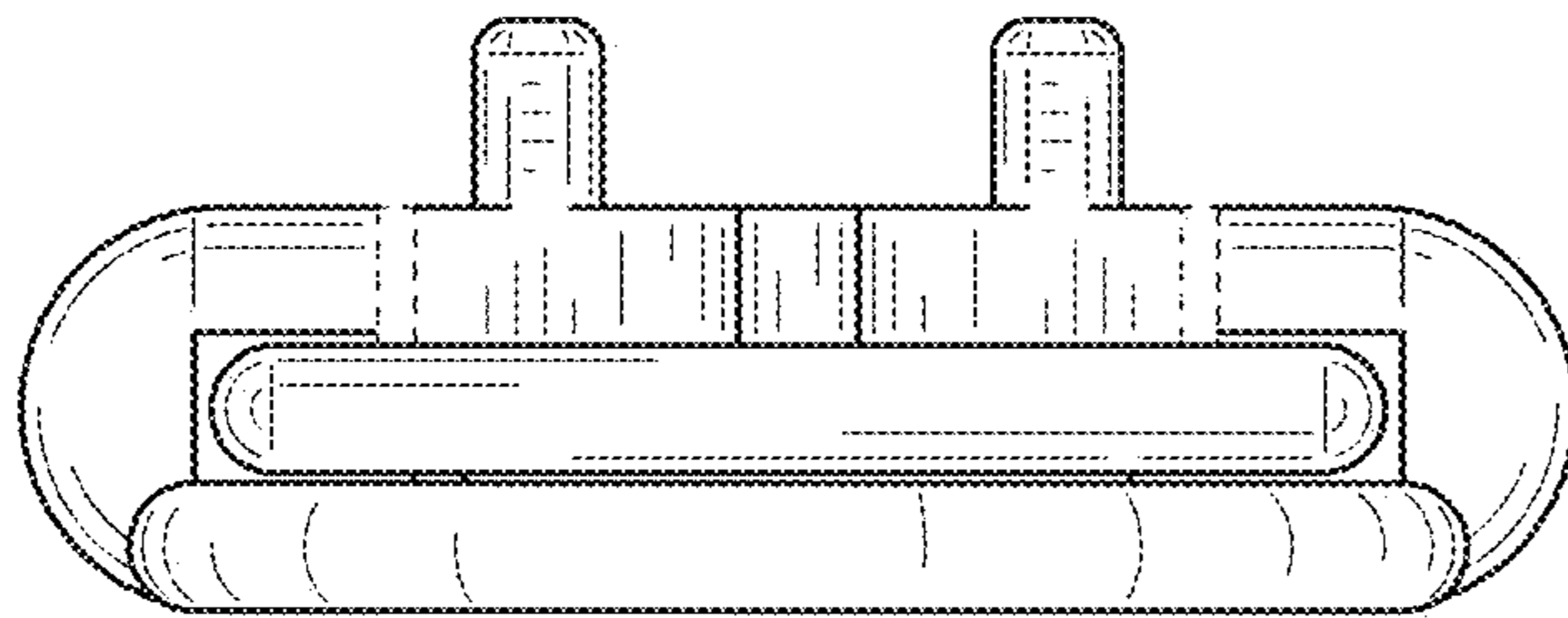


FIG. 7

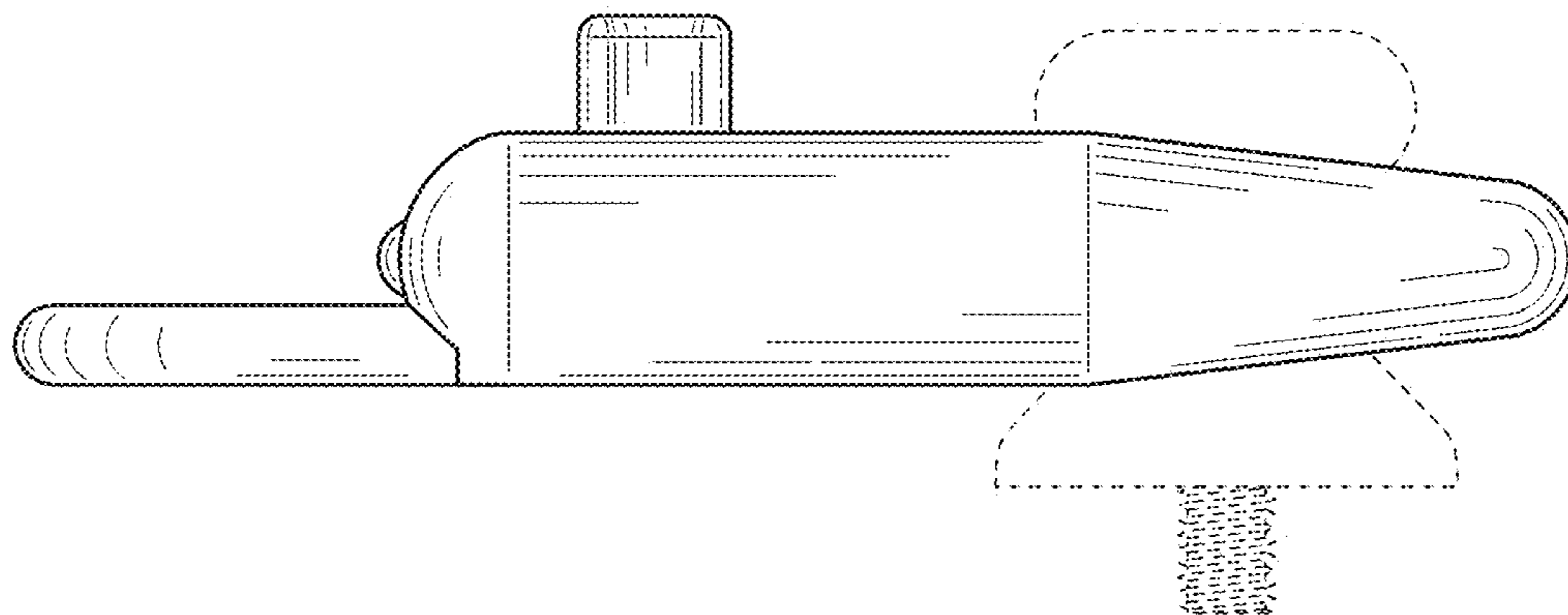


FIG. 8

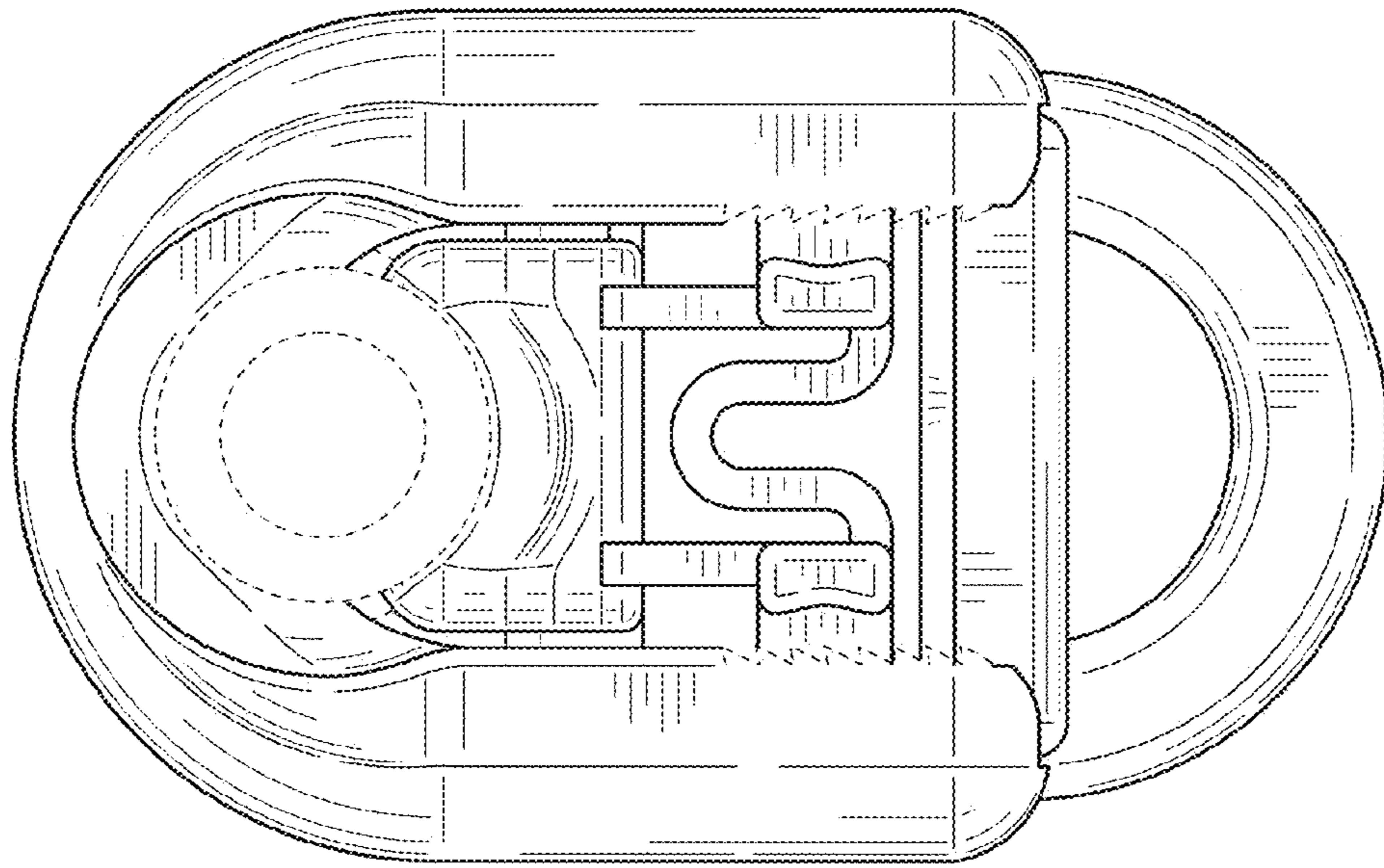


FIG. 9

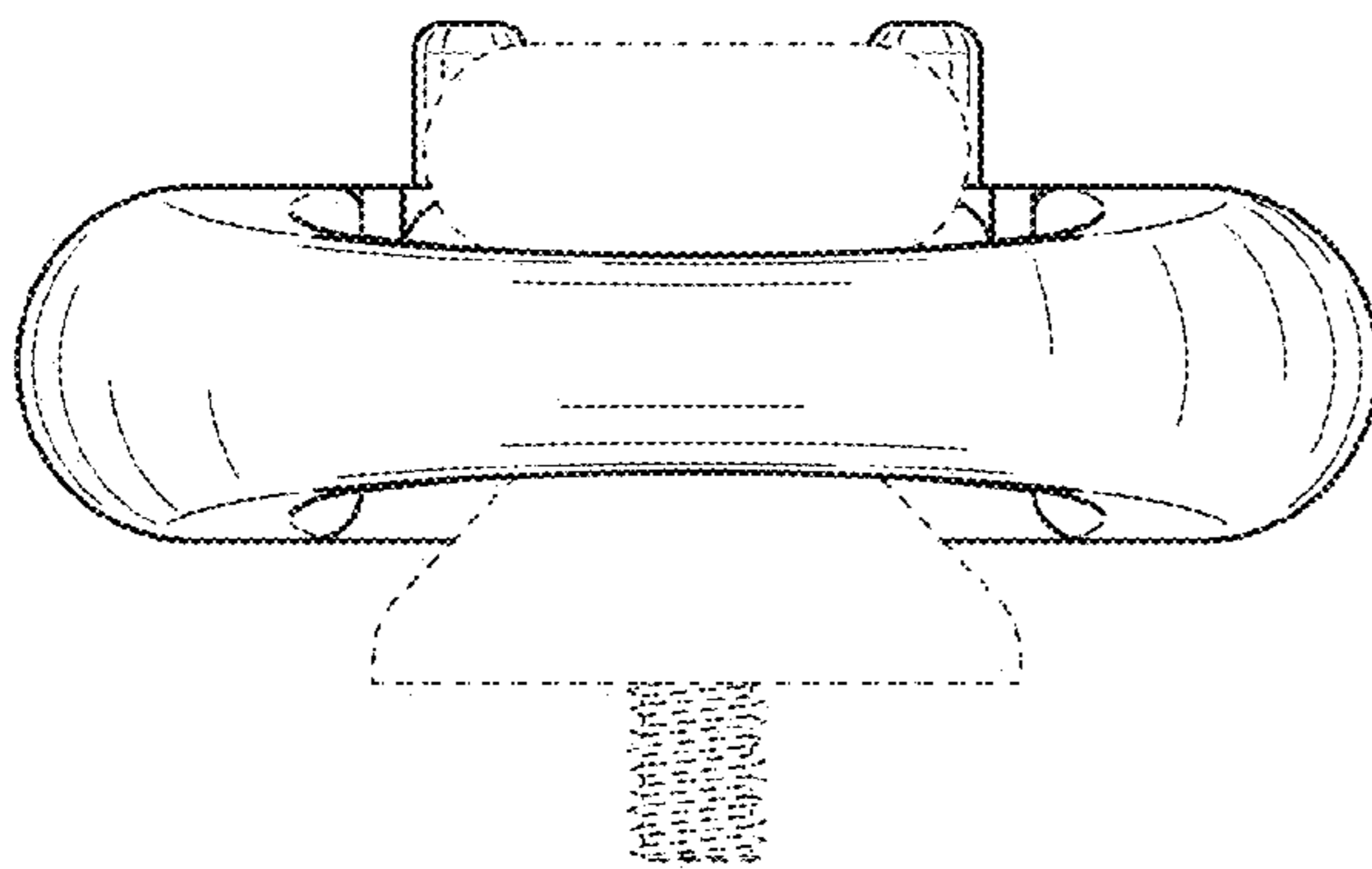


FIG. 10

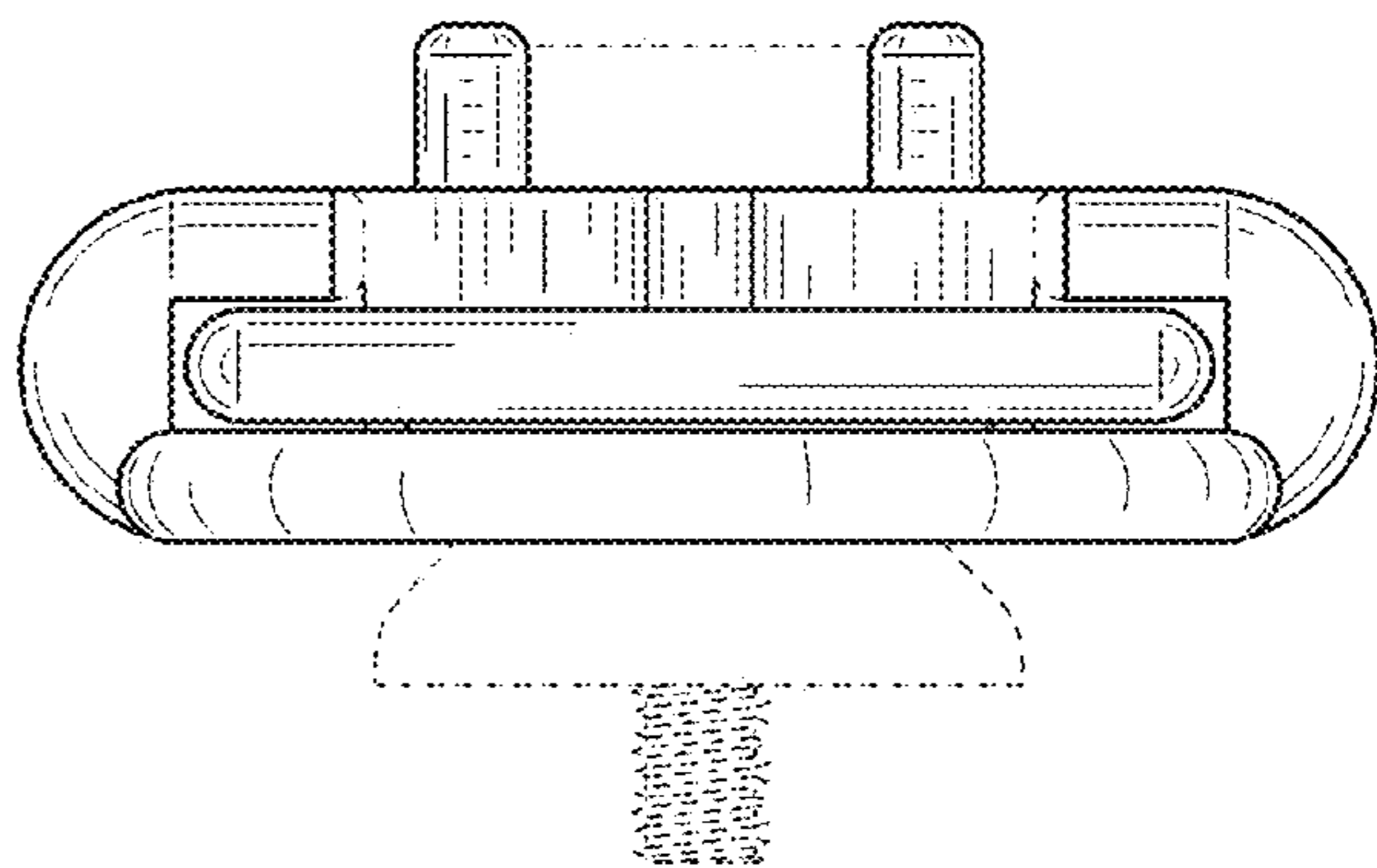


FIG. 11