

US00D925342S

(12) **United States Design Patent**  
**Winthrop**

(10) **Patent No.:** **US D925,342 S**

(45) **Date of Patent:** **\*\* Jul. 20, 2021**

(54) **BED RISER**

(71) Applicant: **Timothy Winthrop**, West Ryde (AU)

(72) Inventor: **Timothy Winthrop**, West Ryde (AU)

(\*\*) Term: **15 Years**

(21) Appl. No.: **29/693,603**

(22) Filed: **Jun. 4, 2019**

(51) **LOC (13) Cl.** ..... **08-05**

(52) **U.S. Cl.**  
USPC ..... **D8/374**

(58) **Field of Classification Search**

USPC ..... D8/316, 358, 359, 363, 366, 370, 371,  
D8/372, 373, 382, 374, 375, 376, 377;  
D7/600, 400

CPC ..... A47G 7/047; A47G 7/045; A47G 7/042;  
A47G 7/044; A01G 9/024; A01G 25/14;  
A01G 27/001; A01G 9/042; A01G  
27/005; A01G 31/001; A01G 9/02; A01G  
9/083; A01G 9/12; B60G 2400/05146;  
B62B 1/10; B62B 1/264; B62B 1/14;  
B25G 1/08; B25G 1/10; B65H 75/40;  
B65H 75/4407; B65H 75/4471; B65H  
2701/34; B65H 2701/32; B65H 2511/142;  
B65H 29/008; B65H 75/22; B65D 85/66;  
B65D 85/67; E06B 11/00; E06B 11/021;  
E06B 11/022; E06B 11/023; E04F  
11/1804; E04F 11/1808; E04F 11/1812;  
G21B 3/00; G21B 3/06; F02D 9/04;  
F02D 9/101; F02D 9/10; A47F 7/14;  
A47F 7/16; A47F 7/143; A47F 5/08;

(Continued)

(56) **References Cited**

U.S. PATENT DOCUMENTS

D44,952 S \* 12/1913 Burst ..... D8/374  
1,912,728 A \* 6/1933 Forest ..... A47B 91/12  
248/346.11

(Continued)

OTHER PUBLICATIONS

Bed Risers, Set of 4 with Adjustable Height from 4" to 6", Matte Black—Stylish, Modern Furniture Lifters with Non-Scratch, posted May 23, 2019, [retrieved Oct. 10, 2020], Retrieved from Internet, <URL: <https://www.amazon.com.au/Risers-Adjustable-Height-Matte-Black/dp/B07S5LN967> > (Year: 2019).\*

(Continued)

*Primary Examiner* — George D. Kirschbaum

*Assistant Examiner* — Joseph J Kukella

(74) *Attorney, Agent, or Firm* — Mark D. Bowen, Esq.;  
Malin Haley DiMaggio & Bowen, P.A.

(57) **CLAIM**

The ornamental design for a bed riser, as shown and described.

**DESCRIPTION**

FIG. 1 is a top perspective view illustrating a bed riser in accordance with the present invention supporting a bed in an elevated position;

FIG. 2 is a top view of a bed riser in accordance with the present invention;

FIG. 3 is a bottom view thereof;

FIG. 4 is a side view thereof, each other side view being identical;

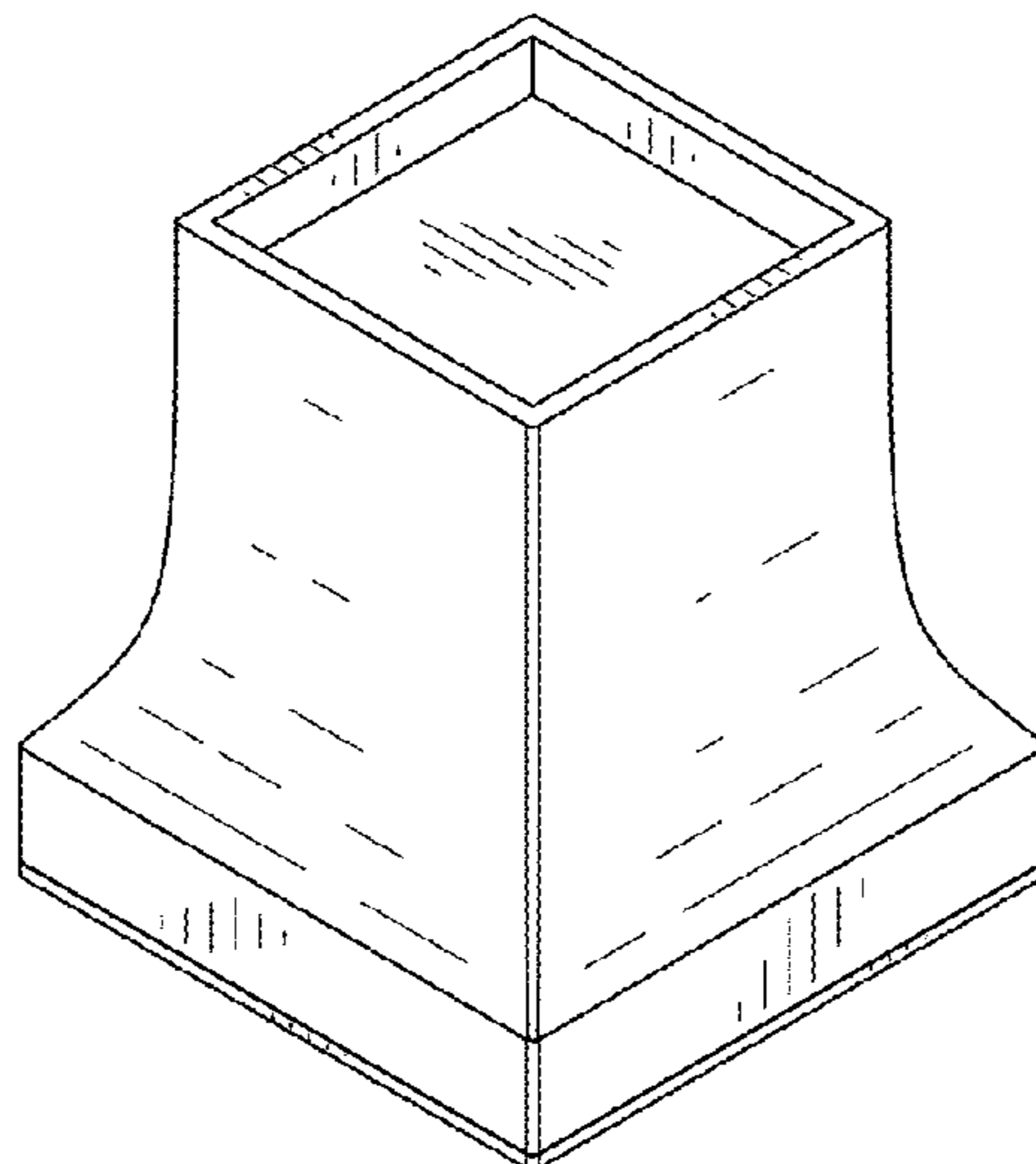
FIG. 5 is a bottom perspective view thereof;

FIG. 6 is top perspective view thereof; and,

FIG. 7 is a top perspective view of a bed riser of different proportion in accordance with the present invention.

The broken lines in FIG. 1 depicting a bed and additional bed risers present unclaimed subject matter for the purpose of illustrating the environment in which the article embodying the design is used and form no part of the claimed design. The broken lines in FIGS. 3 and 5 relating to interior structure present unclaimed subject matter and form no part of the claimed design.

**1 Claim, 3 Drawing Sheets**



(58) **Field of Classification Search**

CPC .... A47F 5/0807; A47F 5/0815; A47F 5/0838;  
 A47F 5/0846; A47F 5/0853; A47F 5/105  
 See application file for complete search history.

(56) **References Cited**

U.S. PATENT DOCUMENTS

D336,843	S	*	6/1993	Hurst	.....	D8/374
5,345,631	A	*	9/1994	Saperstein	.....	A47C 19/024 248/188.2
6,012,185	A	*	1/2000	Woods	.....	A47C 19/024 248/188.2
6,219,981	B1	*	4/2001	Bergelt	.....	E02D 27/01 248/352
D640,915	S	*	7/2011	King	.....	D8/374
D653,088	S	*	1/2012	Hansen	.....	D7/624.1
D734,135	S	*	7/2015	Merey	.....	D8/374
D736,607	S	*	8/2015	Sheldon	.....	D8/374
D784,120	S	*	4/2017	Abdi	.....	D8/374
D828,144	S	*	9/2018	Rodack	.....	D8/374
D896,621	S	*	9/2020	Wendling	.....	D8/374

OTHER PUBLICATIONS

MEETWARM 6 Inch Bed Risers for Casters Wheels and Square Legs, Adjustable Height from 4" to 6", Protect Floors, posted Oct. 11, 2019, [retrieved Oct. 10, 2020], Retrieved from Internet, <URL: <https://www.amazon.com.au/MEETWARM-Casters-Adjustable-Non-Scratch-Non-Slip/dp/B07Z1GTY82> > (Year: 2019).\*

iPrimio Aluminum Bed Riser—5.5 Inch Lift, posted as early as Feb. 24, 2018, [retrieved Oct. 10, 2020], Retrieved from Internet, <URL: <https://www.amazon.com/dp/B076M9QLS5> > (Year: 2018).\*

\* cited by examiner

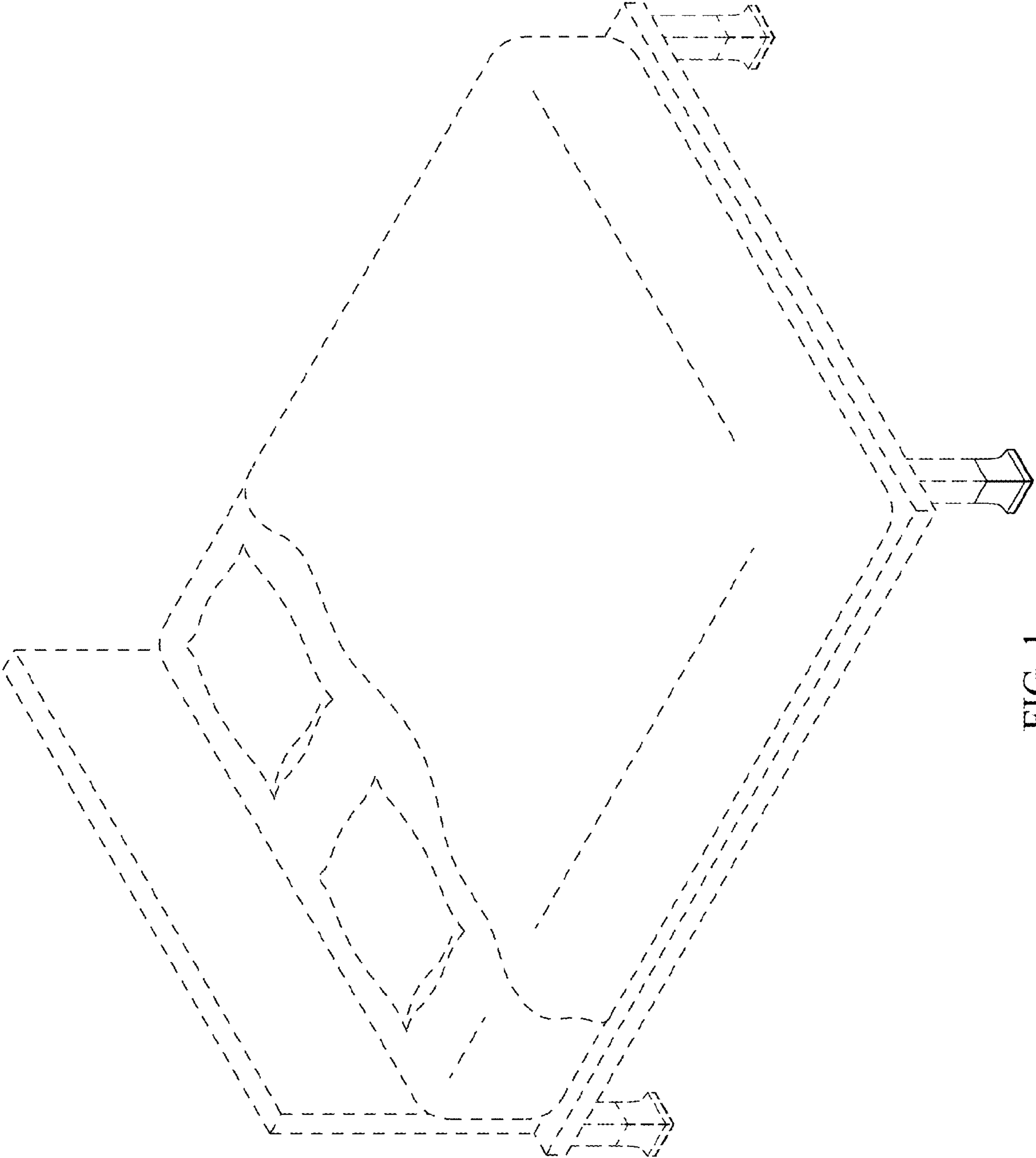


FIG. 1

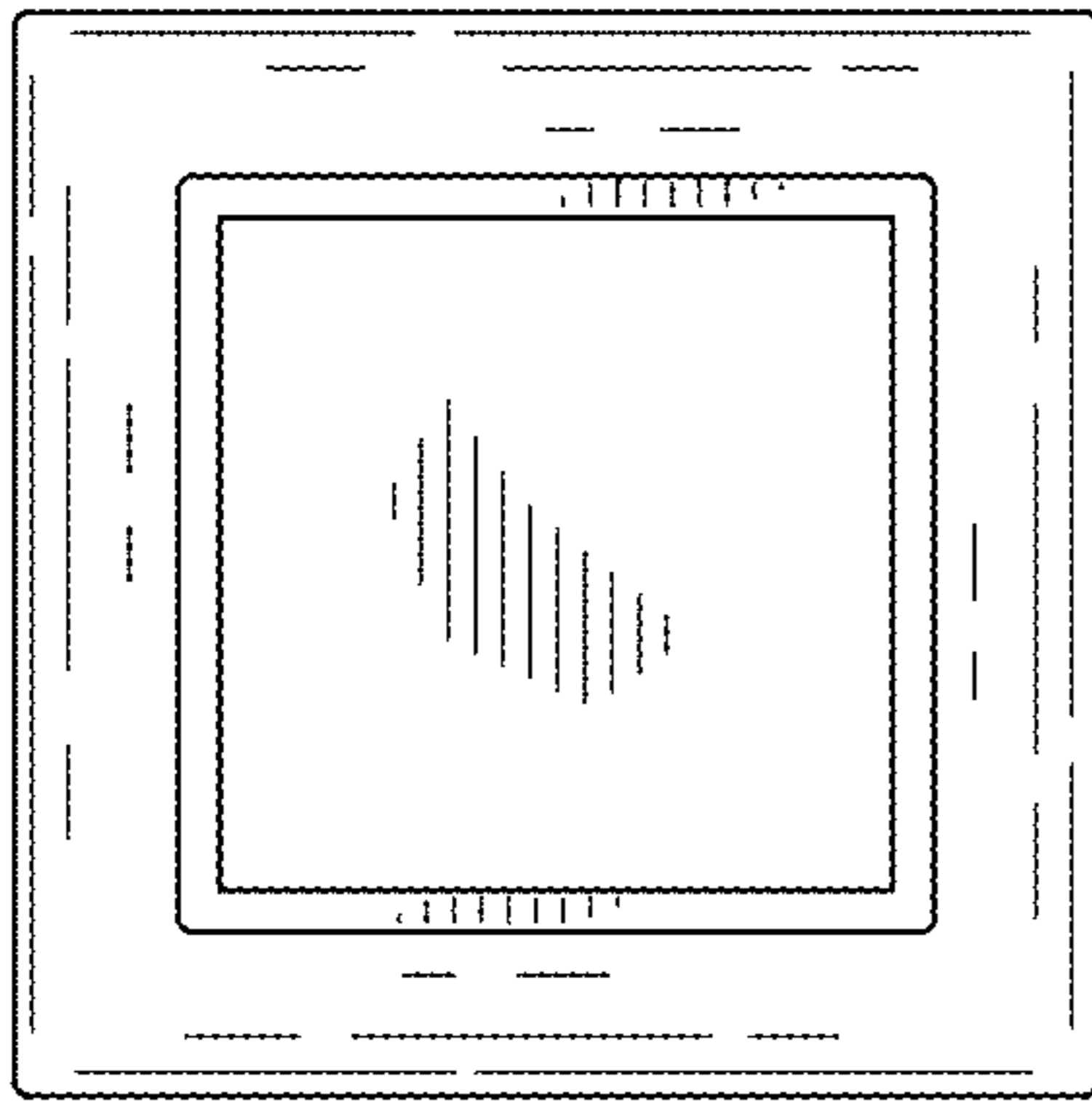


FIG. 2

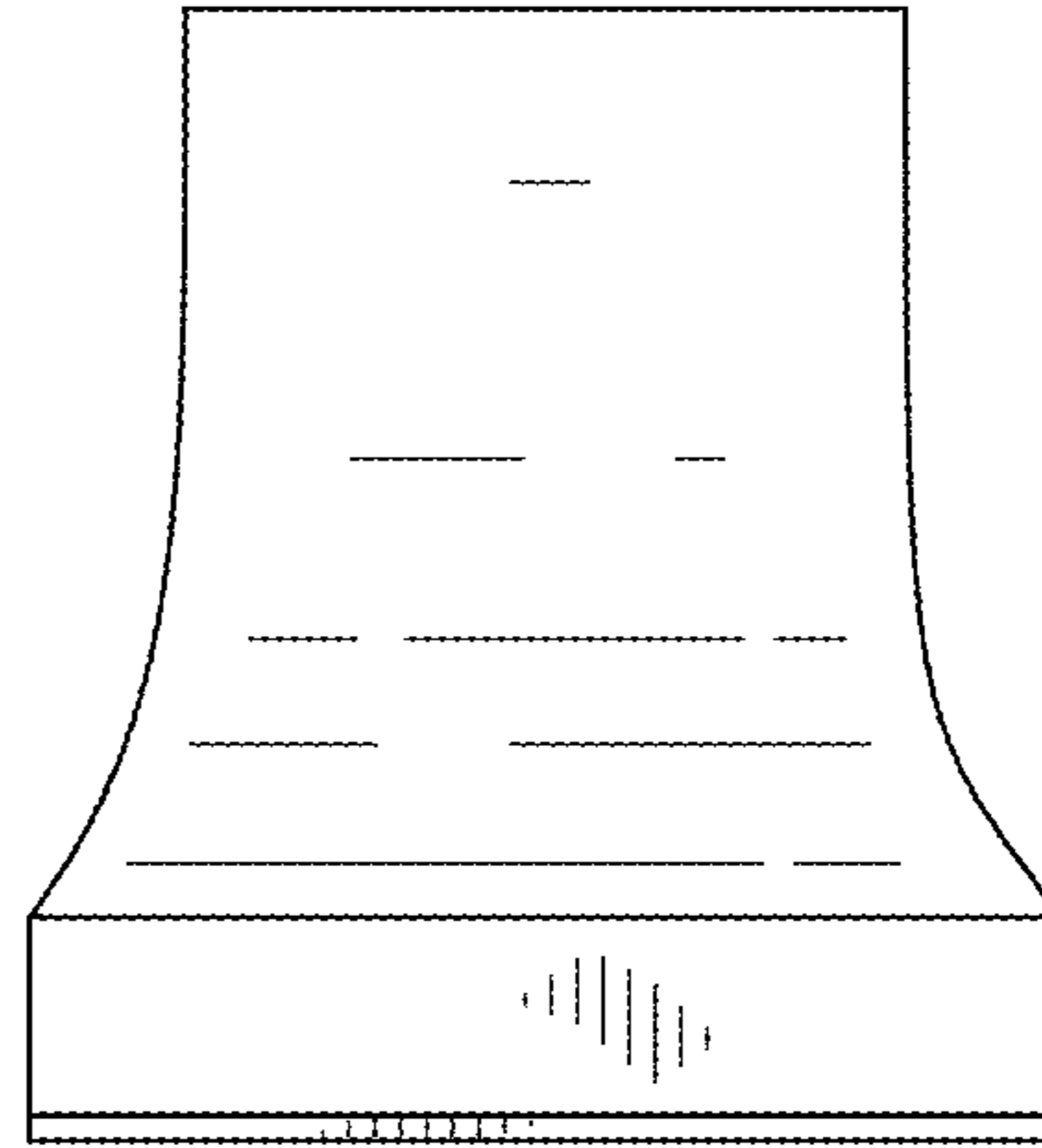


FIG. 4

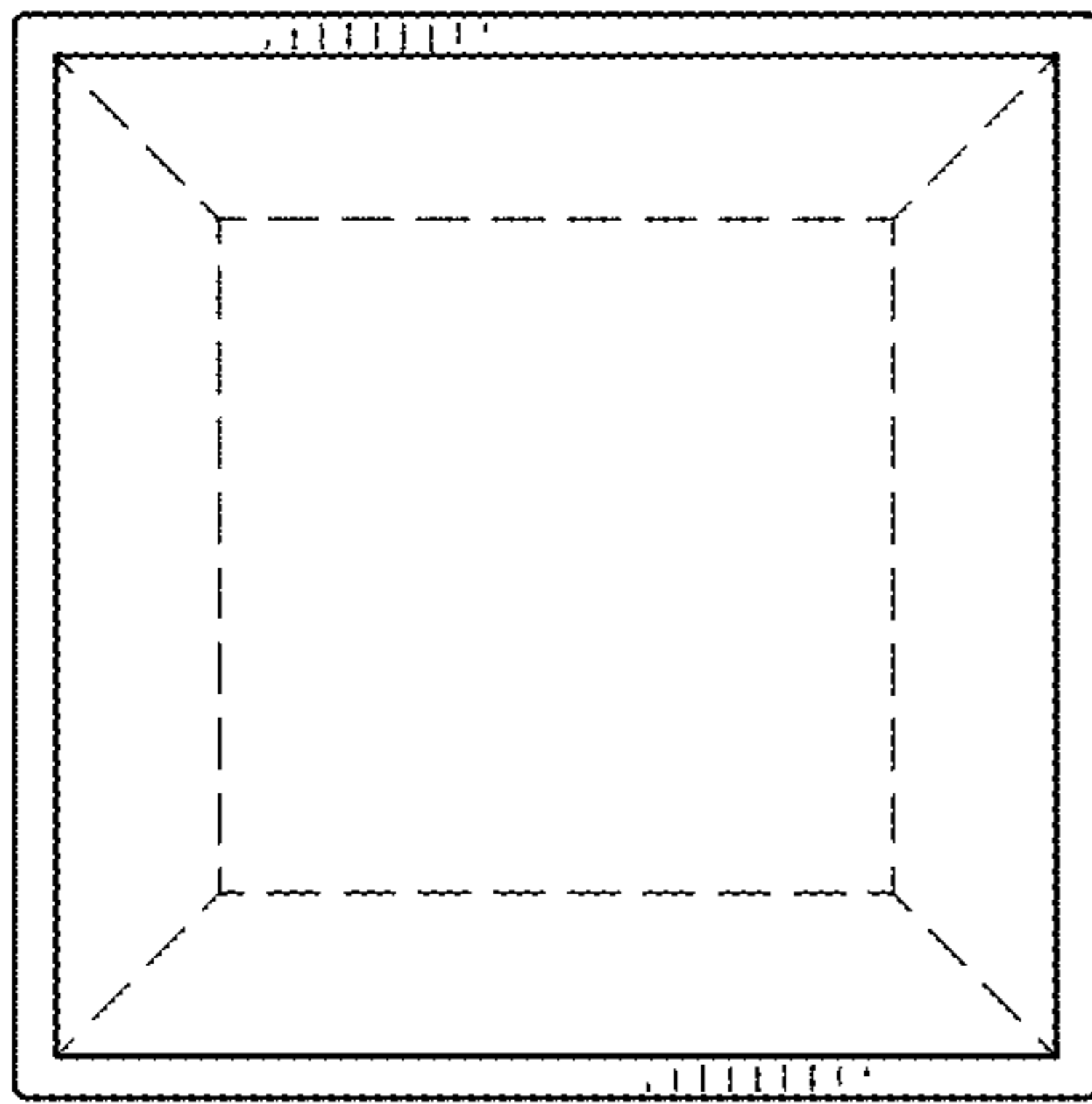


FIG. 3

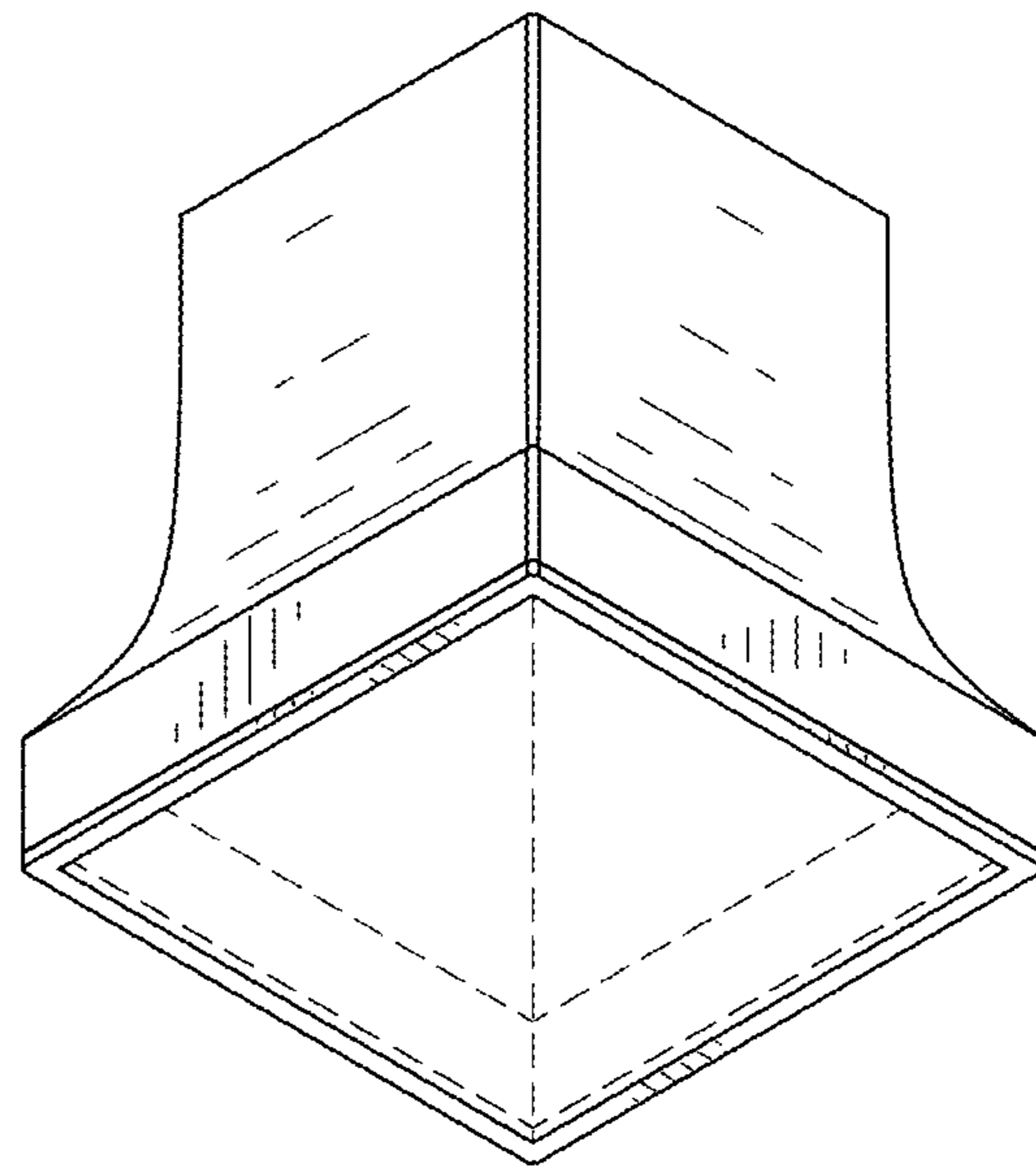


FIG. 5

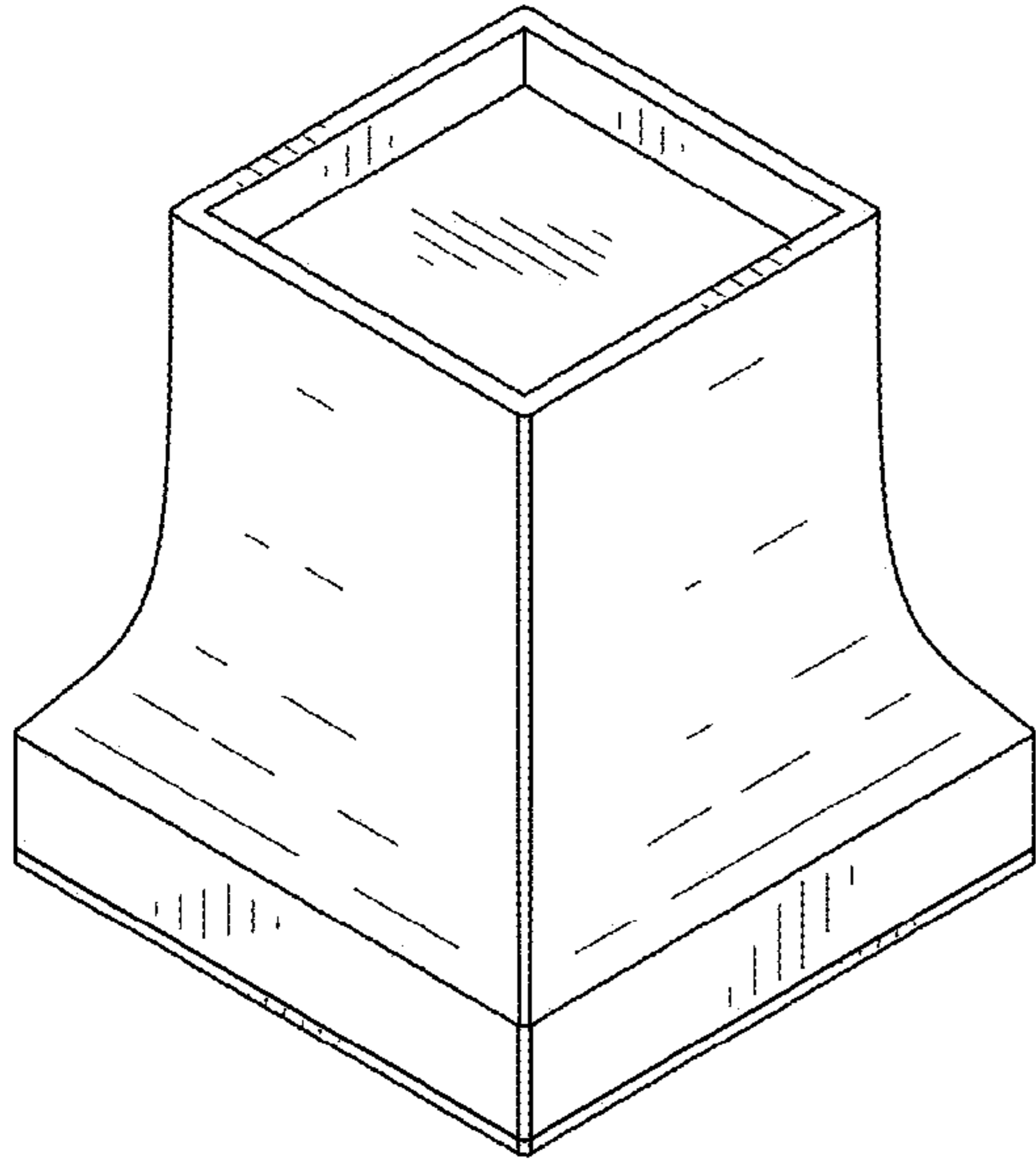


FIG. 6

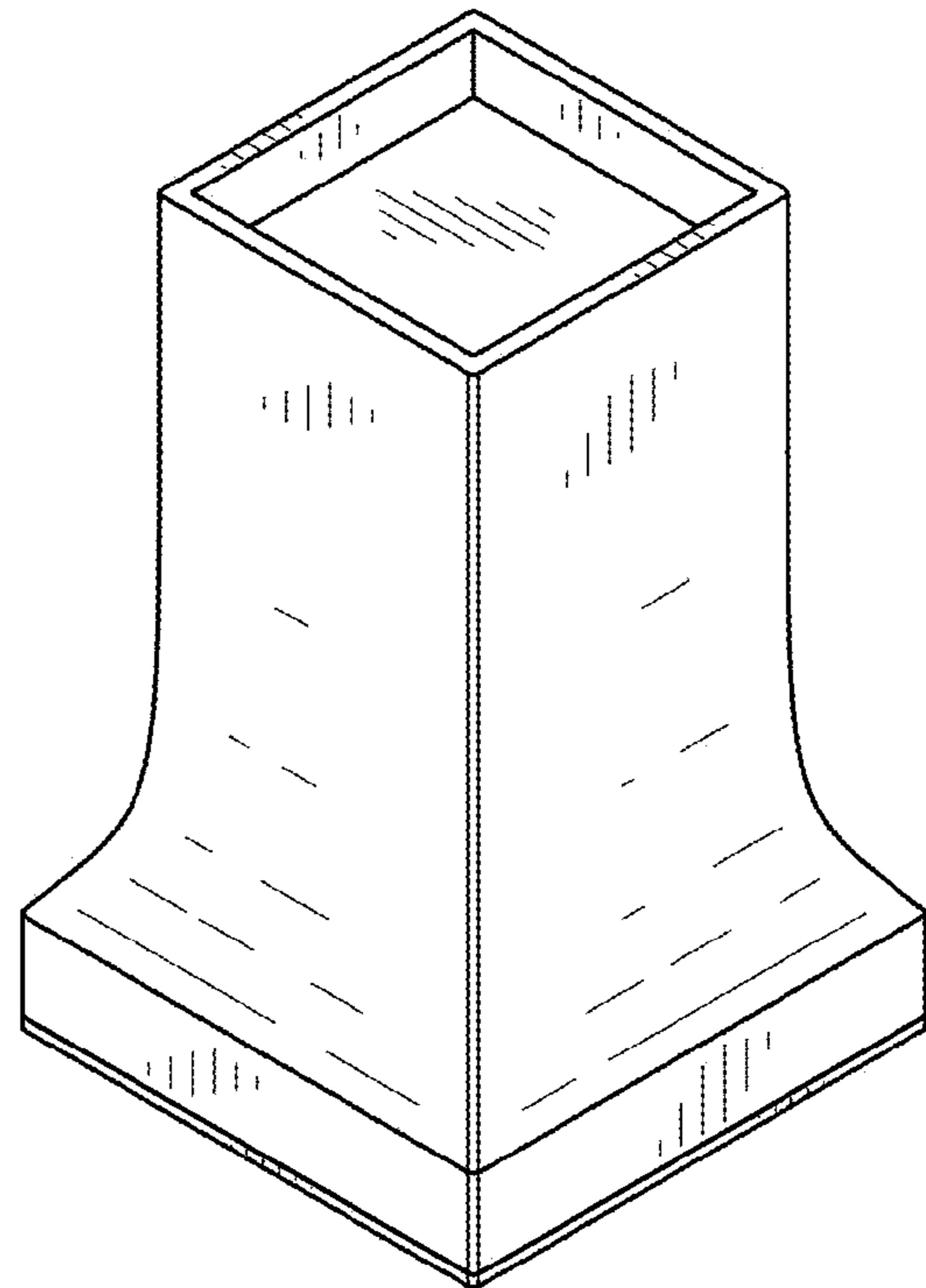


FIG. 7