



US00D925341S

(12) **United States Design Patent** (10) **Patent No.:** **US D925,341 S**
Fastermann (45) **Date of Patent:** **** Jul. 20, 2021**

(54) **HOOK FOR HANGING**
(71) Applicant: **Tesa SE**, Norderstedt (DE)
(72) Inventor: **Franz Fastermann**, Elmshorn (DE)
(**) Term: **15 Years**
(21) Appl. No.: **35/509,765**
(22) Filed: **Jan. 9, 2020**
(80) **Hague Agreement Data**
Int. Filing Date: **Jan. 9, 2020**
Int. Reg. No.: **DM/205876**
Int. Reg. Date: **Jan. 9, 2020**
Int. Reg. Pub. Date: **Jul. 10, 2020**
(51) **LOC (13) Cl.** **08-08**
(52) **U.S. Cl.**
USPC **D8/367**
(58) **Field of Classification Search**
USPC D7/300, 301, 306, 309, 311, 312, 313,
D7/332, 337, 339, 347, 348, 352, 362,
D7/367, 368, 376, 377, 378, 379, 381,
D7/383, 396, 399, 407, 409, 510, 523,
D7/543, 532, 538, 665; D15/199
CPC .. A47J 31/44; A47J 31/52; A47J 43/04; A47J
43/044
See application file for complete search history.

(56) **References Cited**
U.S. PATENT DOCUMENTS
2,765,998 A * 10/1956 Engert A47G 1/17
248/467
D212,553 S * 10/1968 Hekman D8/367
D289,139 S * 4/1987 Chasen D6/323
D328,417 S * 8/1992 Korpijaakko D6/323
D405,347 S * 2/1999 Mezey D8/353
7,178,770 B2 * 2/2007 Ryu A47G 1/175
248/205.3
D554,483 S * 11/2007 Hager D8/367
D567,517 S * 4/2008 Massaud D6/323

D583,653 S * 12/2008 Thompson D8/367
D641,228 S * 7/2011 Qiblawi D8/367
8,376,297 B2 * 2/2013 Portz A47G 25/0607
248/215
D680,804 S * 4/2013 Gilboe D7/367
D682,664 S * 5/2013 Gilboe D8/367
D697,387 S * 1/2014 Starck D8/367
D774,875 S * 12/2016 Yu D8/353
D822,467 S * 7/2018 Shoenhair A47G 25/0607
D831,471 S * 10/2018 Kim A47G 1/17
D8/367
10,221,883 B2 * 3/2019 Demsky F16M 13/022
D853,223 S * 7/2019 Chang D8/367
D863,047 S * 10/2019 Huang D8/367
D864,697 S * 10/2019 Gnocchini C09J 5/04
D8/367
D887,254 S * 6/2020 Bond D8/367
2002/0121581 A1 * 9/2002 Franck A47G 1/175
248/304

(Continued)

OTHER PUBLICATIONS

UK Tesa, Jan. 31, 2017, found on May 26, 2021, Amazon.com: tesa
UK Tesa 58031 Picture Hook with Self Adhesive and Removable
Powerstrips (2 Hooks): Home & Kitchen (Year: 2017).*

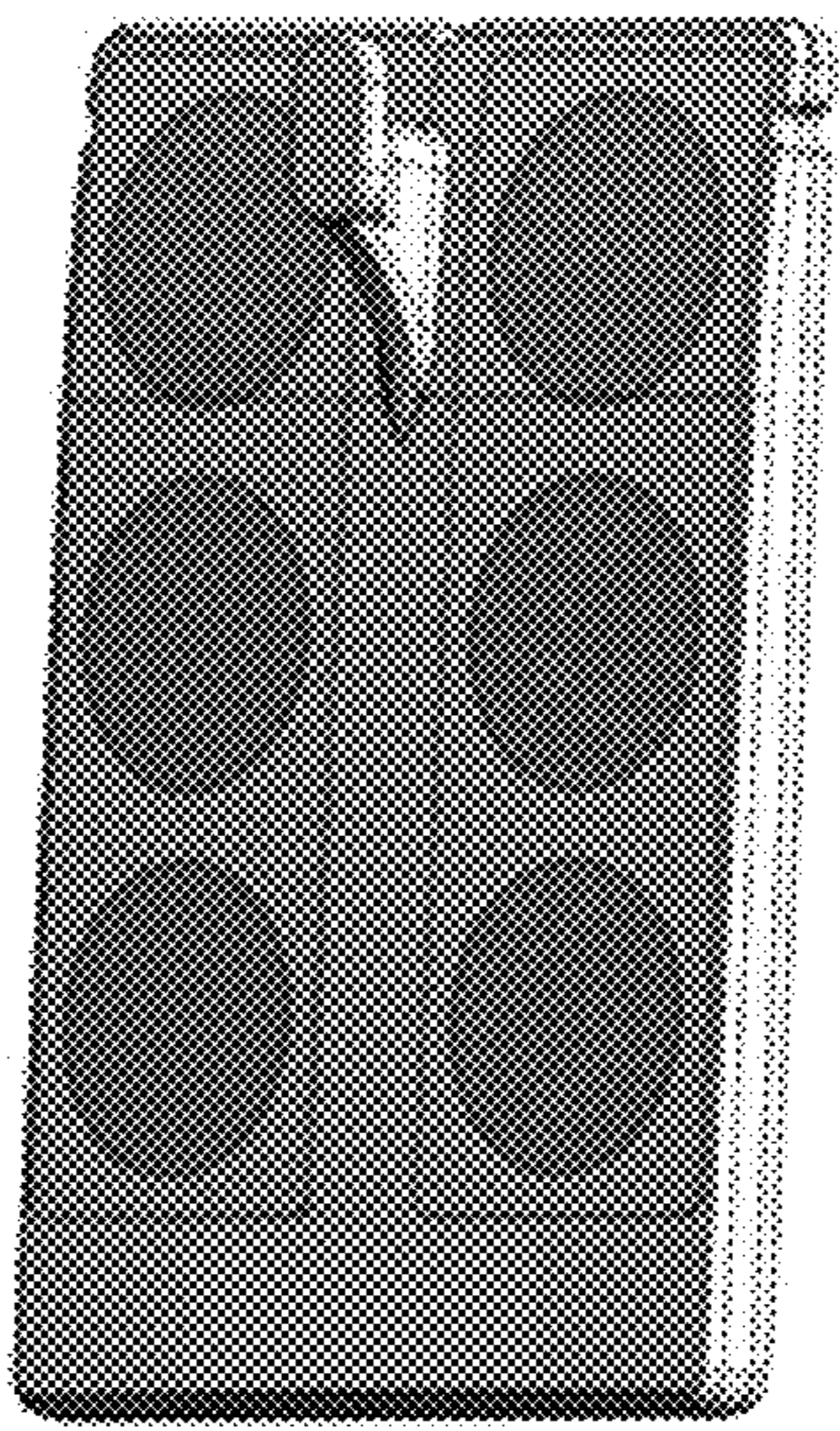
Primary Examiner — Karen S Acker

(57) **CLAIM**
The ornamental design for a hook for hanging, as shown and
described.

DESCRIPTION

- 1. Hook for hanging
- 1.1 : Front
- 1.2 : Back
- 1.3 : Right
- 1.4 : Left
- 1.5 : Top
- 1.6 : Bottom
- 1.7 : Perspective

1 Claim, 7 Drawing Sheets



(56)

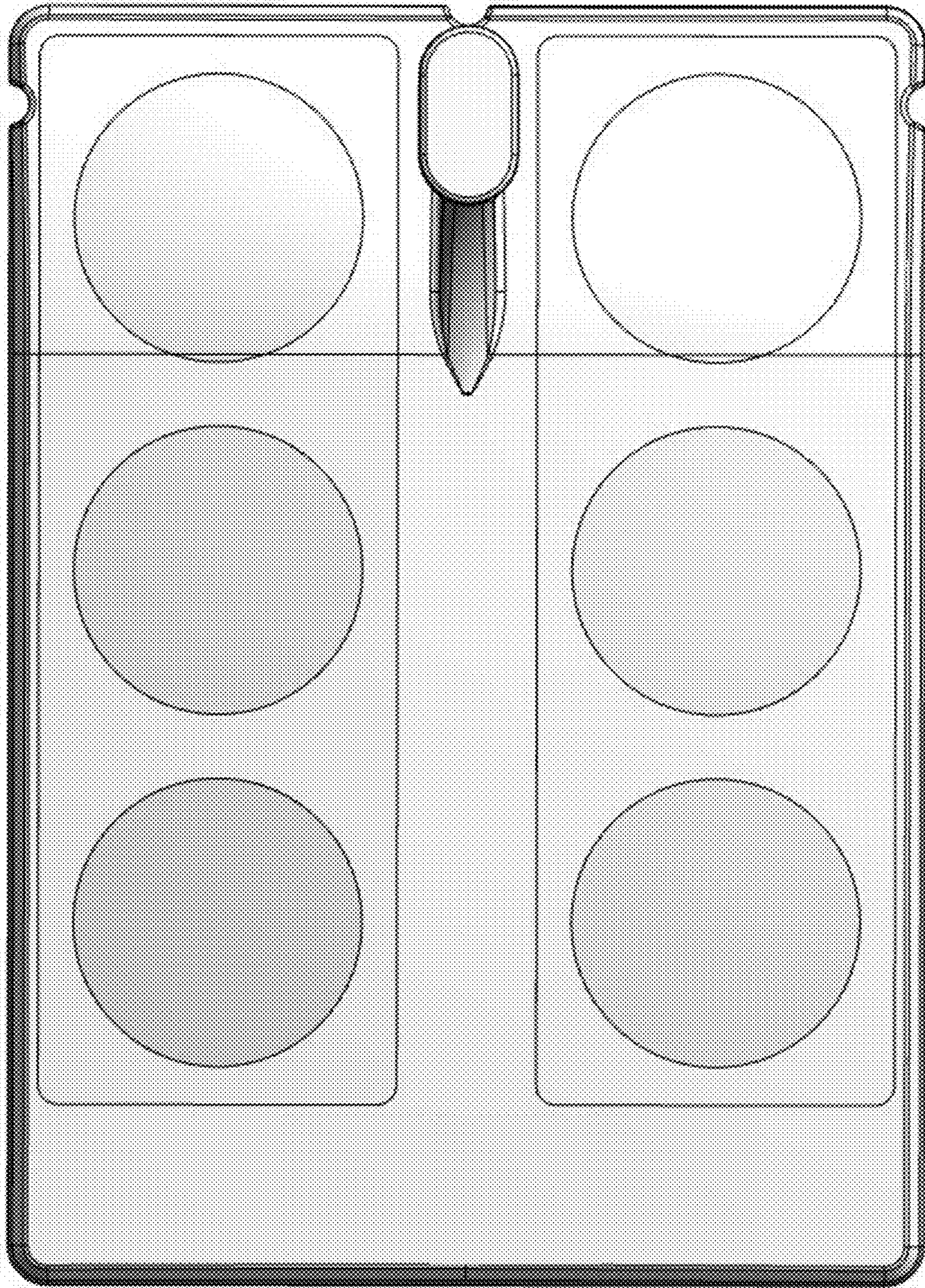
References Cited

U.S. PATENT DOCUMENTS

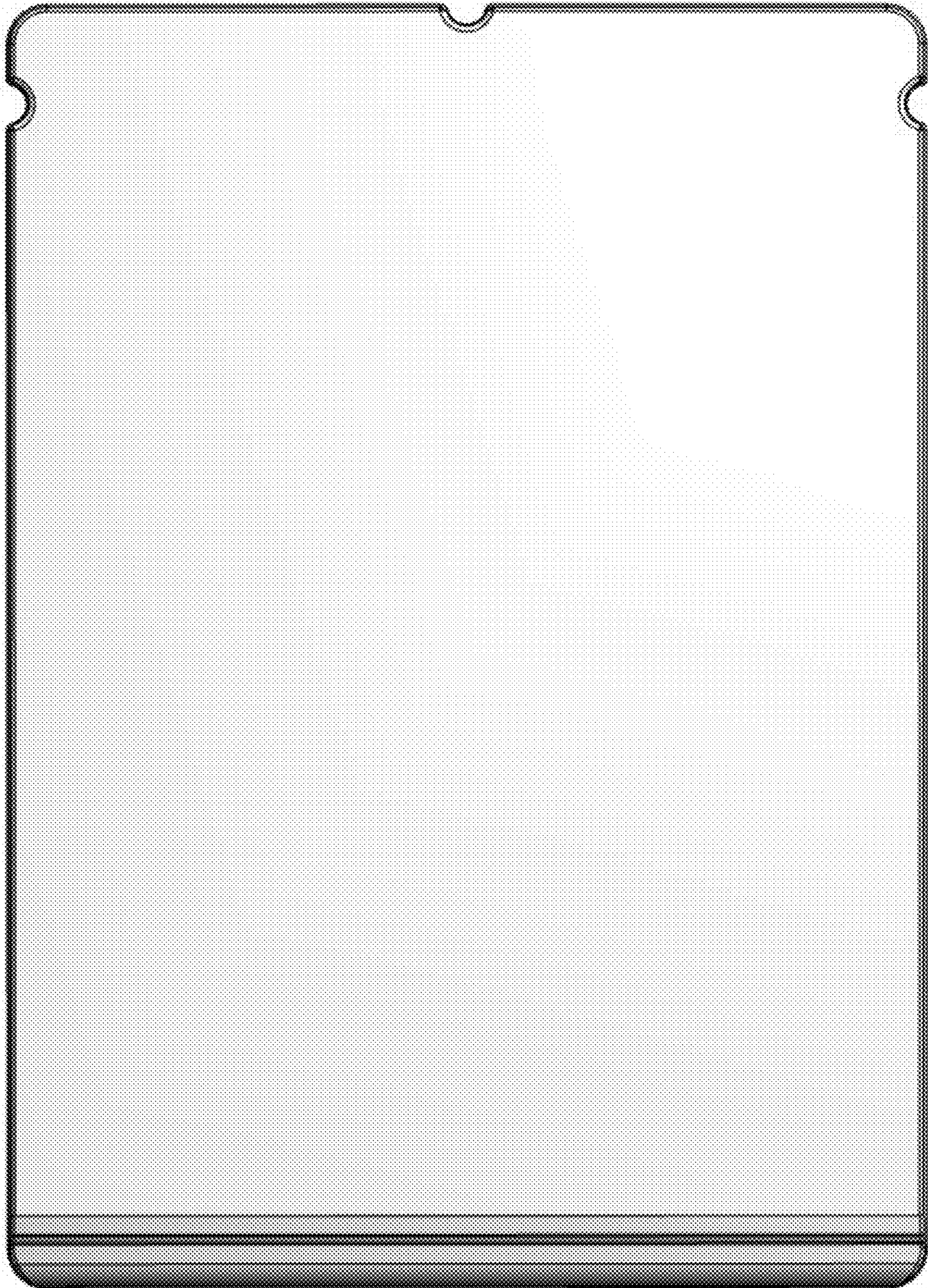
2015/0201764 A1* 7/2015 Sato A47G 1/17
248/205.4
2018/0228305 A1* 8/2018 Fastermann C09J 5/04

* cited by examiner

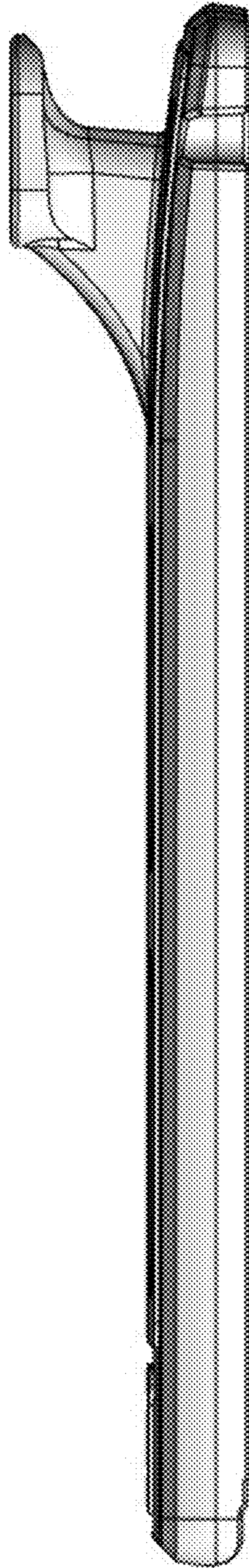
1.1



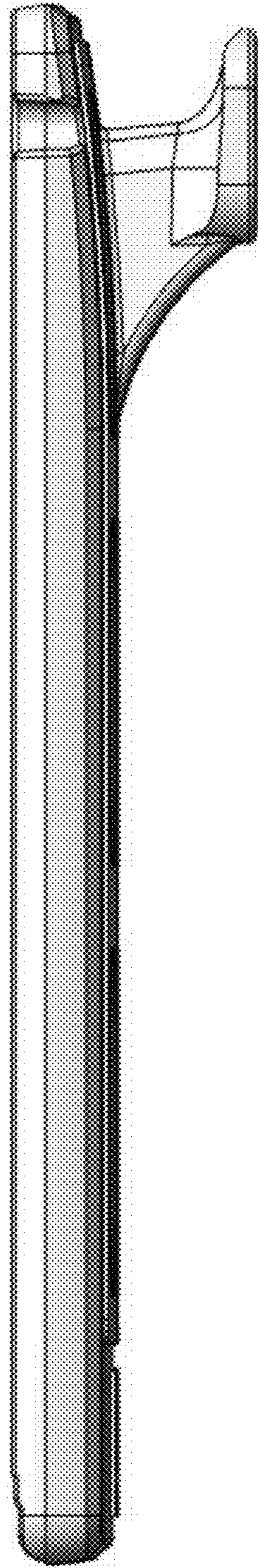
1.2



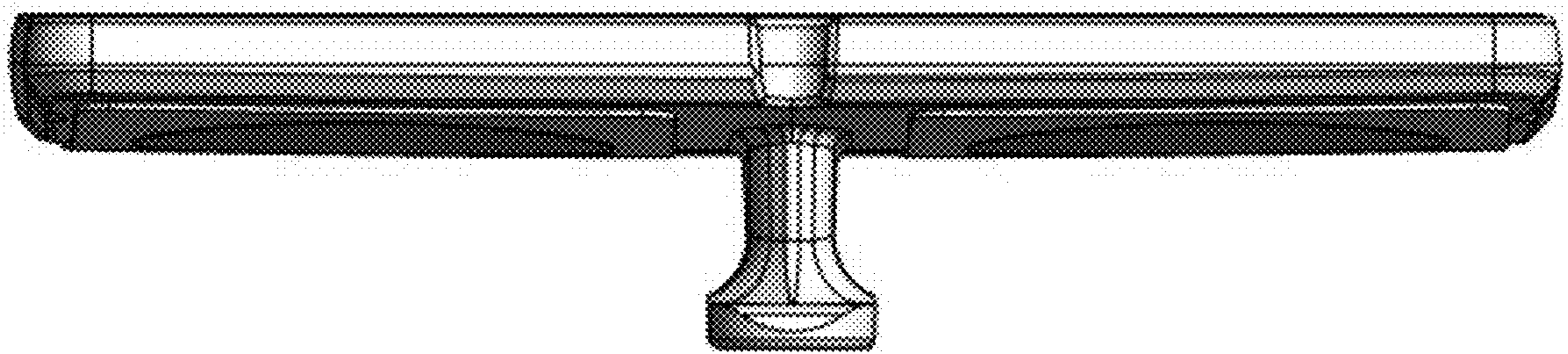
1.3



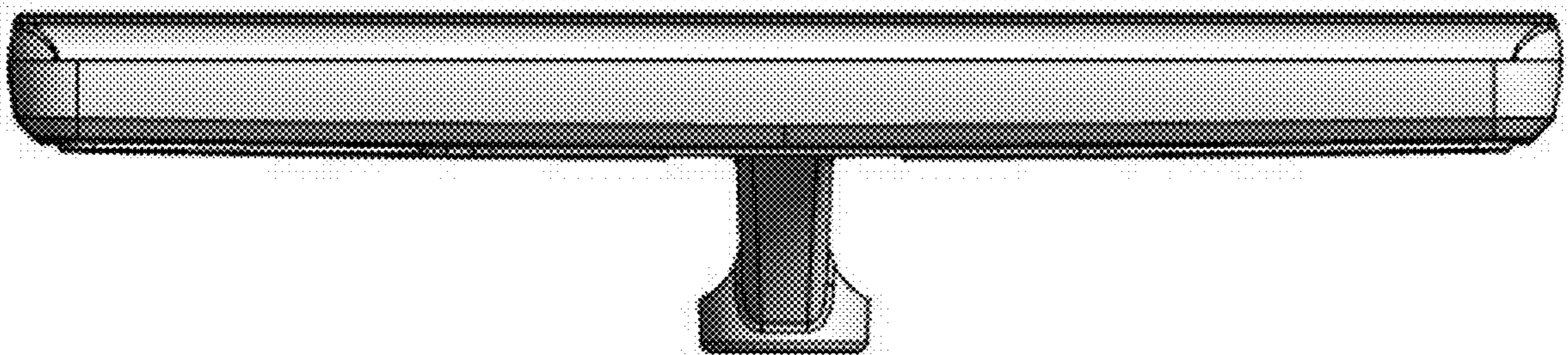
1.4



1.5



1.6



1.7

