



US00D925339S

(12) **United States Design Patent**
Leonard

(10) **Patent No.:** **US D925,339 S**

(45) **Date of Patent:** **** Jul. 20, 2021**

- (54) **HOSE BEND SUPPORT**
- (71) Applicant: **Casey Daniel Leonard**, Lexington, NC (US)
- (72) Inventor: **Casey Daniel Leonard**, Lexington, NC (US)
- (73) Assignee: **Camco Manufacturing, Inc.**, Greensboro, NC (US)
- (**) Term: **15 Years**
- (21) Appl. No.: **29/687,967**
- (22) Filed: **Apr. 17, 2019**
- (51) **LOC (13) Cl.** **09-06**
- (52) **U.S. Cl.**
USPC **D8/356**
- (58) **Field of Classification Search**
USPC D6/678.4; D8/356, 354, 349, 358, 373, D8/379; 248/68.1, 89; 137/355.16; 242/400.1; 211/60.1; D24/128
CPC B65G 7/12; A62C 33/04; B65H 75/366
See application file for complete search history.

7,678,083	B2 *	3/2010	Stephens	A61M 25/00	604/174
D763,665	S *	8/2016	Hallare	D8/356	
D789,526	S *	6/2017	Serafini	D24/128	
D798,131	S *	9/2017	Agneessens	D8/373	
D826,033	S *	8/2018	Feng	D8/356	
D830,157	S *	10/2018	Kreinbrink	D8/373	
10,215,313	B2 *	2/2019	a ko	F16L 11/10	
10,264,896	B2 *	4/2019	Petner	A47F 7/06	
D873,115	S *	1/2020	Evans	D8/354	
D880,279	S *	4/2020	Marchesan	D8/354	
D883,073	S *	5/2020	Jaramillo	D8/354	
D885,949	S *	6/2020	Machijima	D10/103	
D889,641	S *	7/2020	Wennborg	D24/128	
10,774,951	B2 *	9/2020	Ball	F16B 7/185	
D903,474	S *	12/2020	Peng	D8/356	
D905,541	S *	12/2020	Somsack	D8/356	
2002/0121571	A1 *	9/2002	Ferris	H02G 3/0406	242/615

* cited by examiner

Primary Examiner — Cynthia R Underwood
(74) *Attorney, Agent, or Firm* — Tuggle Duggins P.A.;
Blake P. Hurt

(57) **CLAIM**

The ornamental design for a hose bend support, as show and described..

DESCRIPTION

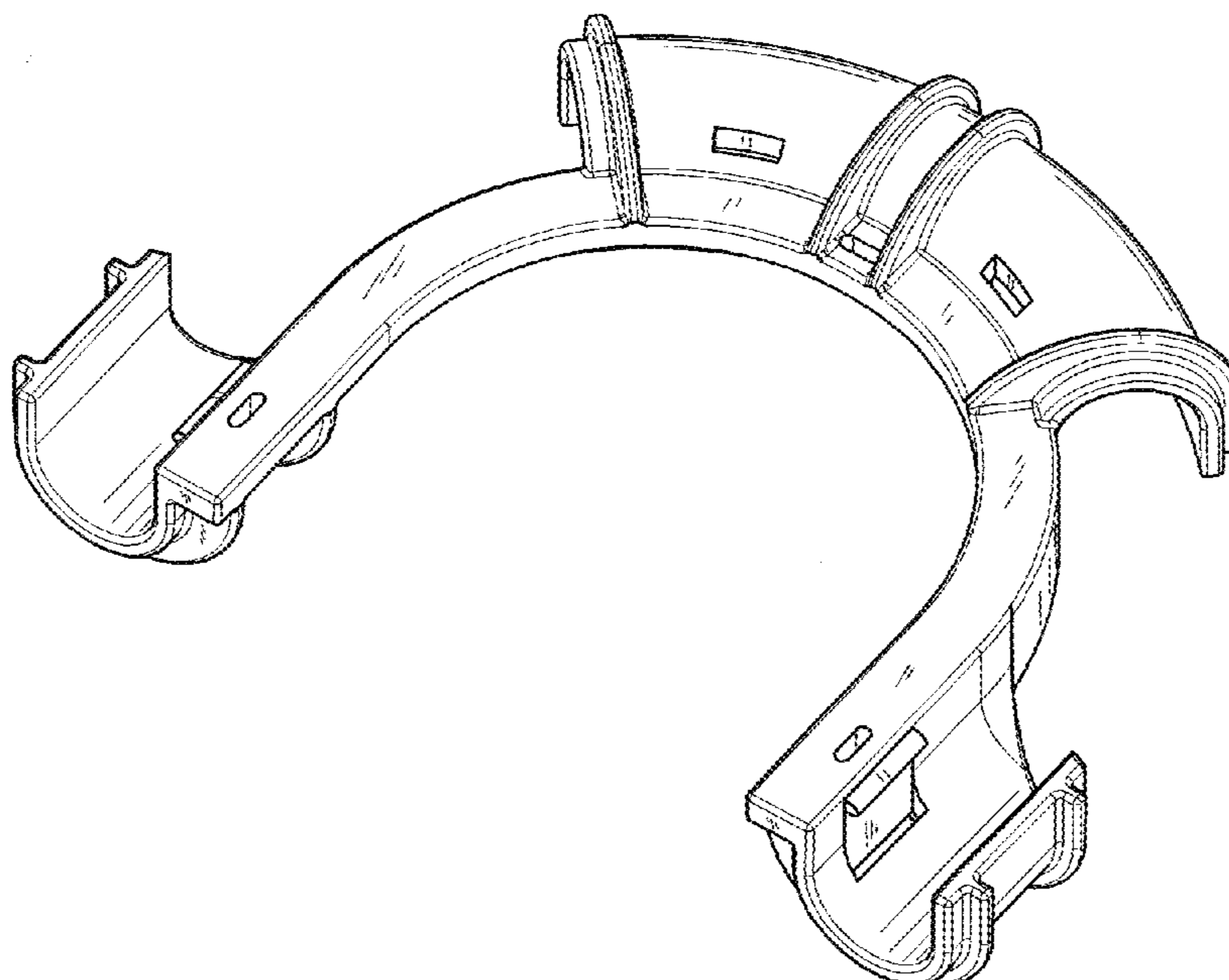
FIG. 1 is a top, rear, ght side perspective view of a hose bend support showing my new design;
FIG. 2 is a bottom, front, right side perspective view thereof;
FIG. 3 is a rear elevational view thereof;
FIG. 4 is a top plan view thereof;
FIG. 5 is a bottom plan view thereof;
FIG. 6 is a right side elevational view thereof, the left side elevational view being a mirror image thereof; and,
FIG. 7 is a front elevational view thereof.

1 Claim, 7 Drawing Sheets

(56) **References Cited**

U.S. PATENT DOCUMENTS

3,942,528	A *	3/1976	Loeser	A61M 25/02	604/174
6,059,215	A *	5/2000	Finnis	B65H 75/366	242/400.1
6,206,613	B1 *	3/2001	Elkins	F16L 3/26	405/157
D509,147	S *	9/2005	Selby	D9/715	
D525,359	S *	7/2006	Stephens	D24/128	
7,571,744	B2 *	8/2009	Zia	A61M 5/1418	138/103



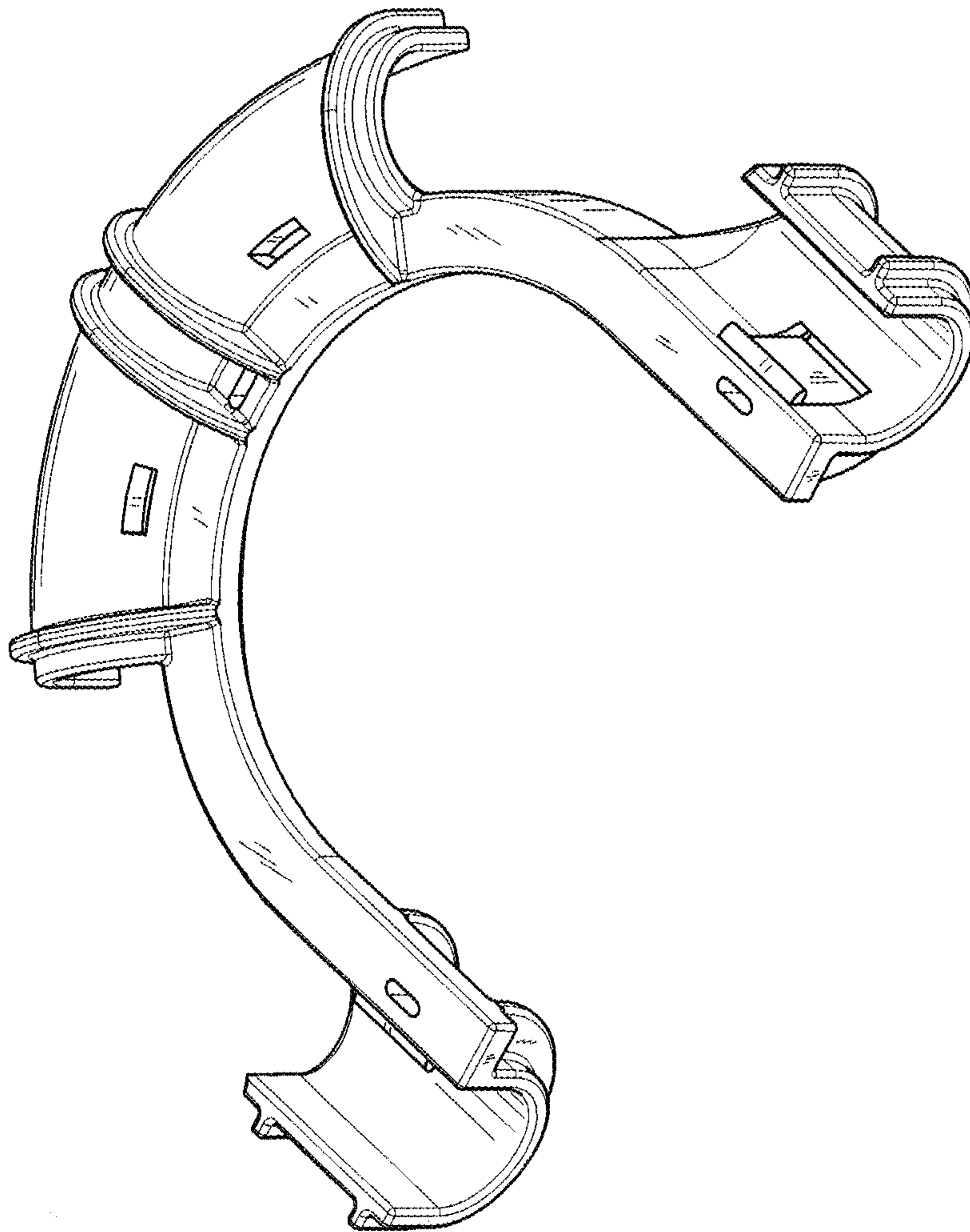


FIG. 1

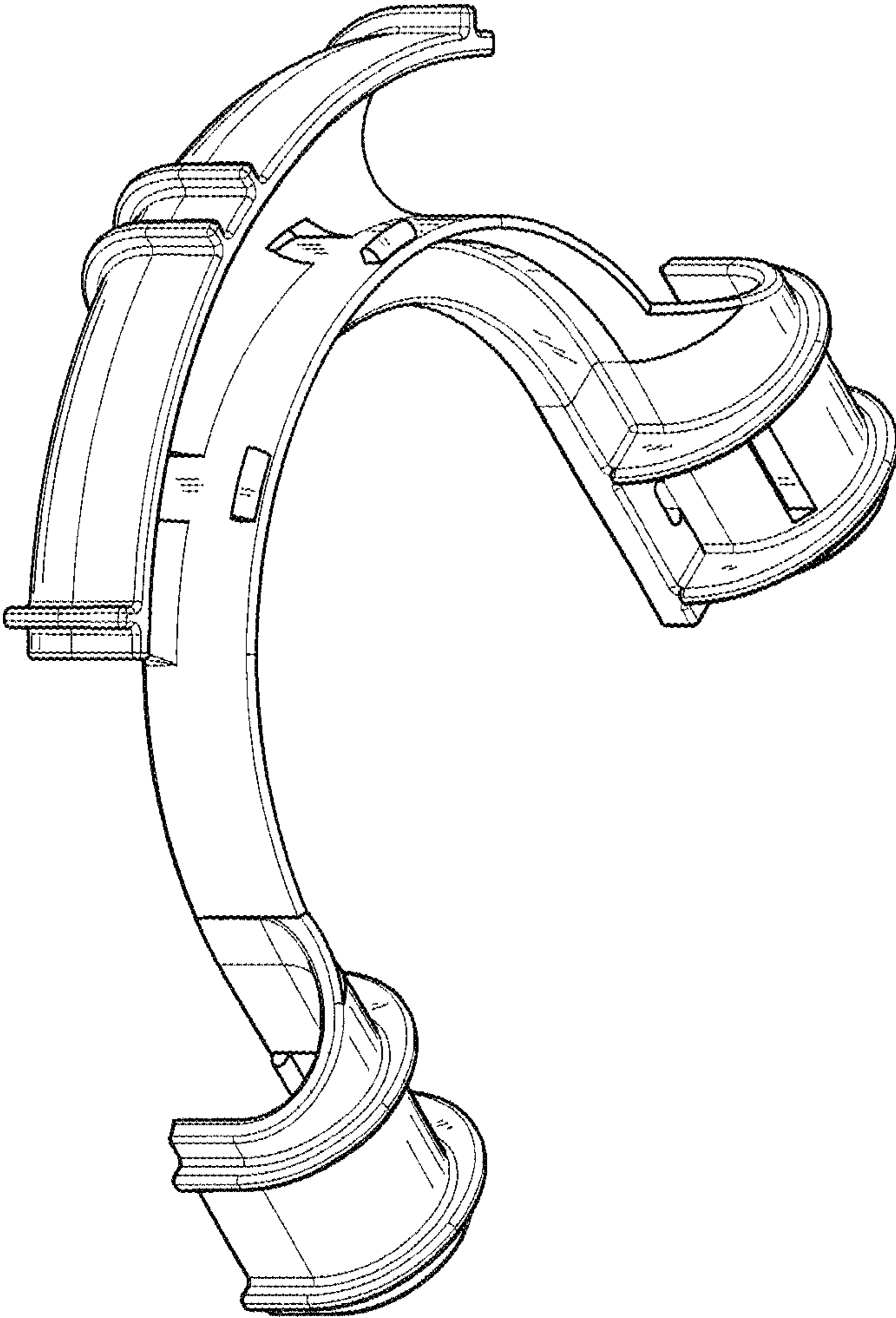


FIG. 2

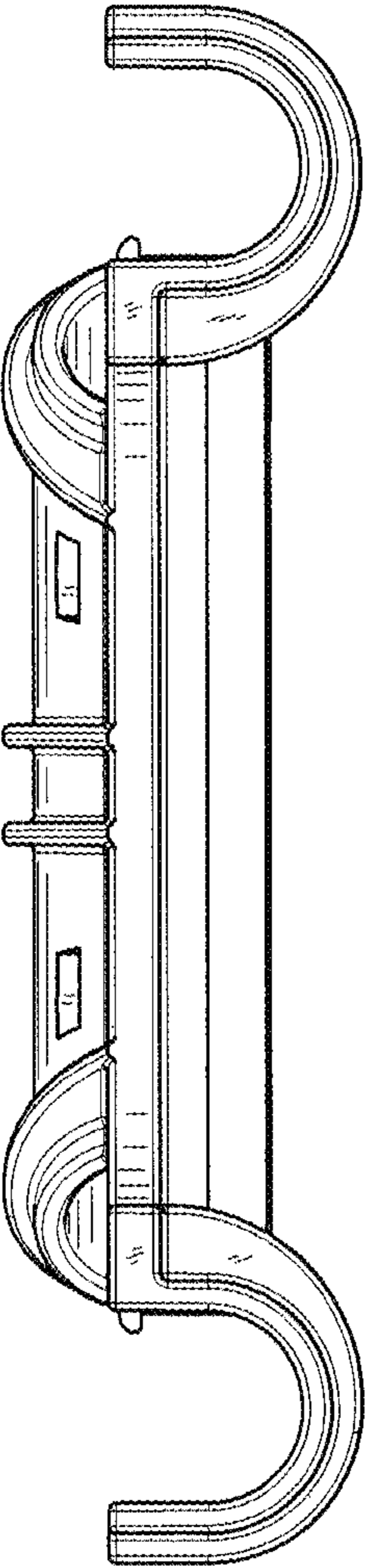


FIG. 3

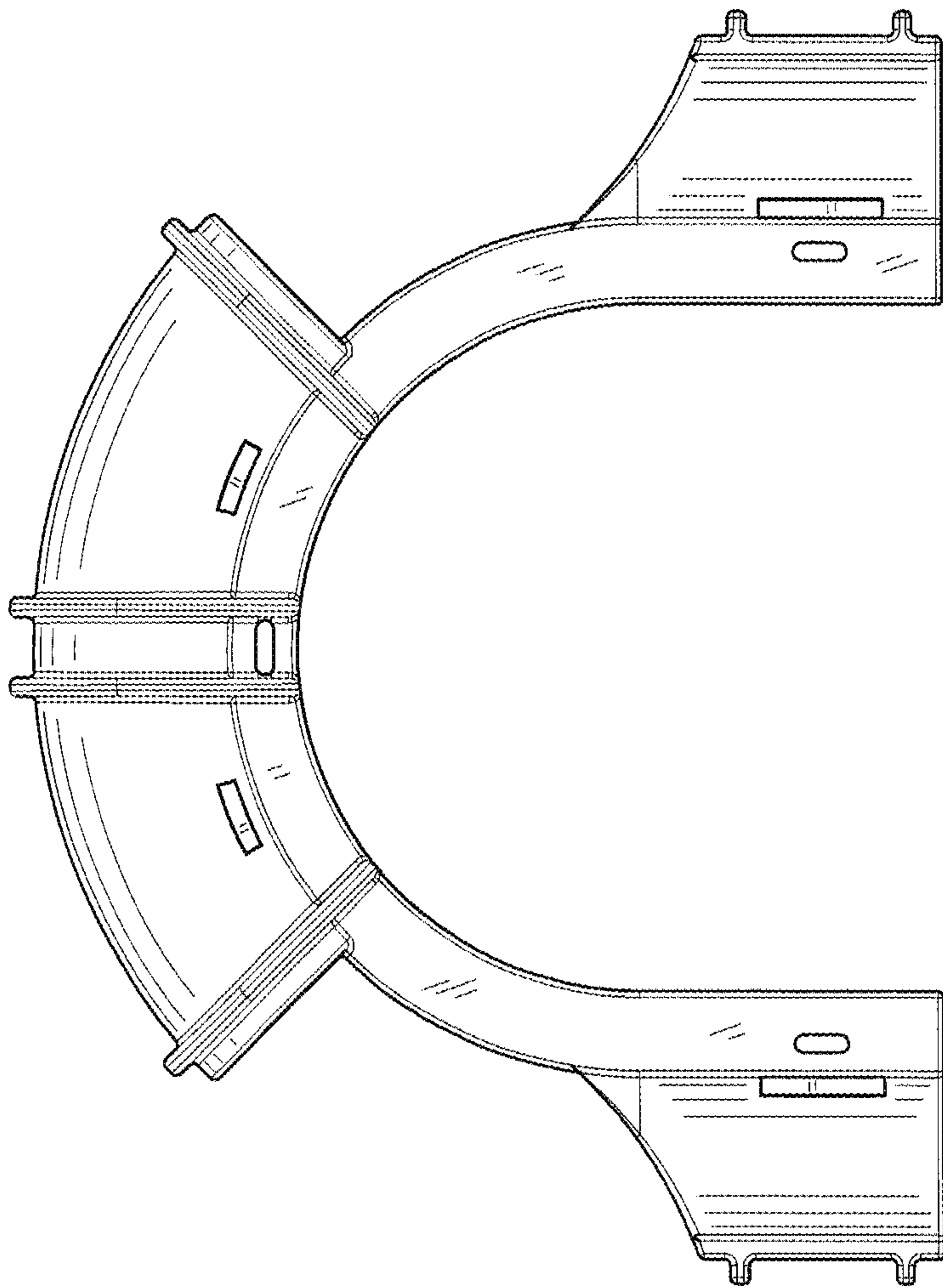


FIG. 4

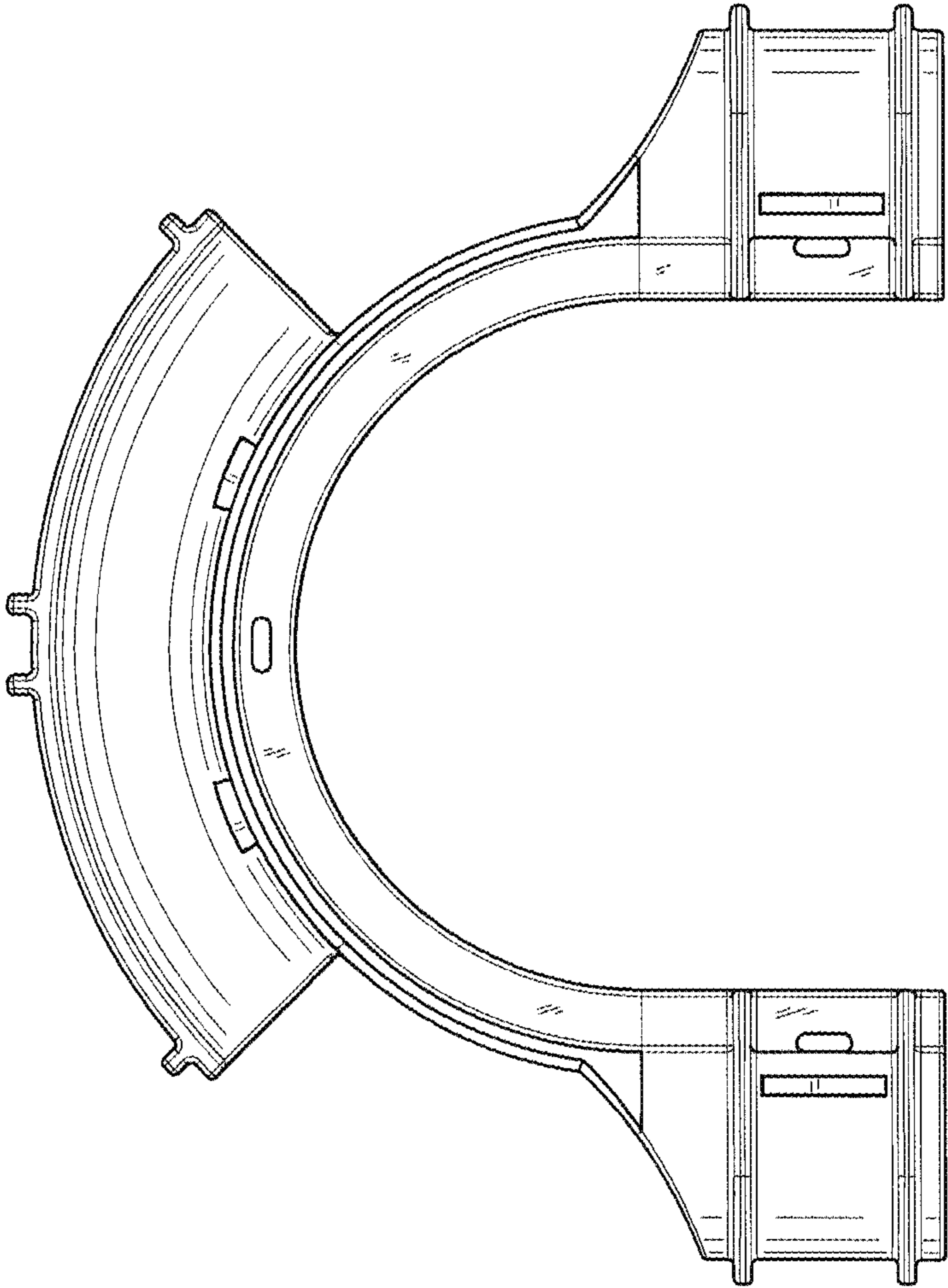


FIG. 5

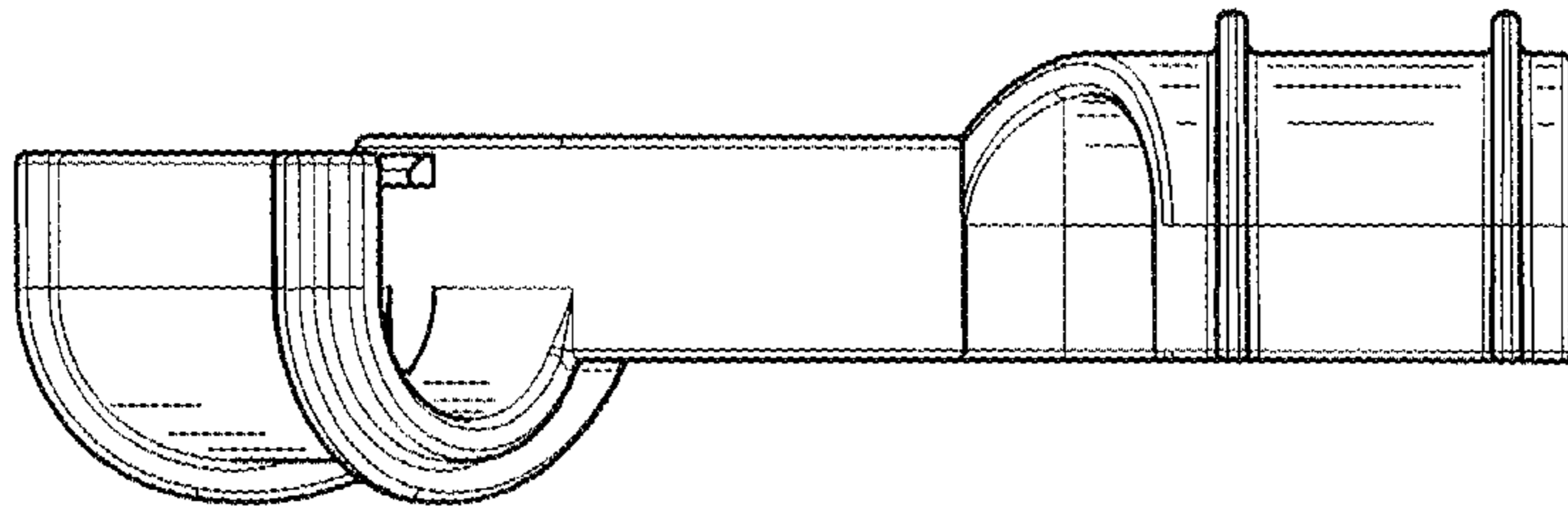


FIG. 6

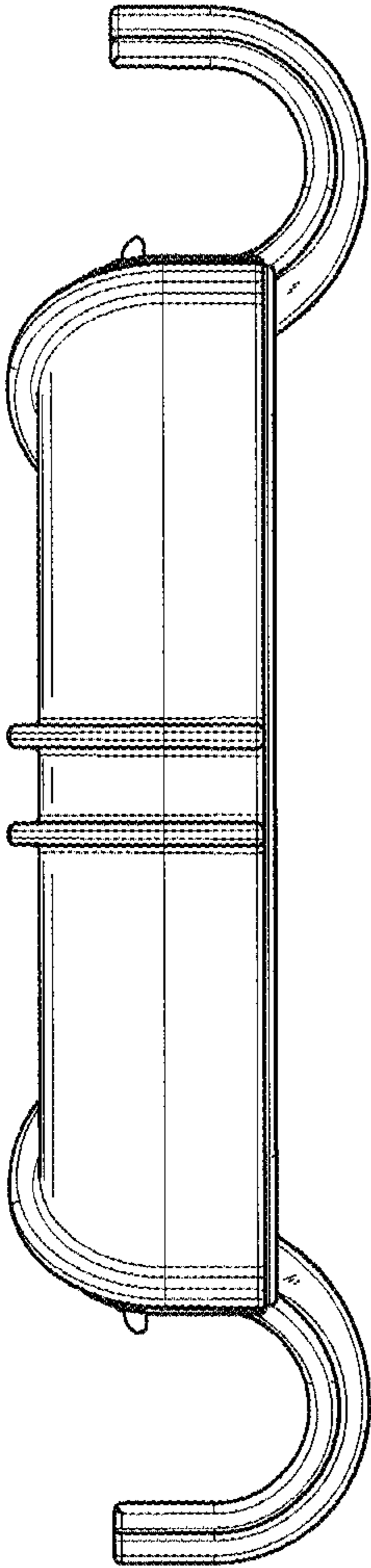


FIG. 7