



US00D925338S

(12) **United States Design Patent**
Dedios-Shirley et al.

(10) **Patent No.:** **US D925,338 S**
(45) **Date of Patent:** **** Jul. 20, 2021**

(54) **MOUNTING APPARATUS**

(71) Applicants: **Relina Belen Dedios-Shirley**, Reno, NV (US); **Charles Edward Shirley**, Reno, NV (US)

(72) Inventors: **Relina Belen Dedios-Shirley**, Reno, NV (US); **Charles Edward Shirley**, Reno, NV (US)

(73) Assignee: **HIDEIT MOUNTS, INC.**, Reno, NV (US)

(**) Term: **15 Years**

(21) Appl. No.: **29/722,406**

(22) Filed: **Jan. 29, 2020**

(51) **LOC (13) Cl.** **08-05**

(52) **U.S. Cl.**
USPC **D8/354**

(58) **Field of Classification Search**
USPC D8/394, 381, 380, 373, 371, 366, 354, D8/349; D25/132, 131, 126, 123; D6/574, 511, 479, 478, 474, 466, 463, D6/436, 399
CPC A47B 57/40; A47B 57/408; A47B 96/067; A47F 5/08
See application file for complete search history.

(56) **References Cited**

U.S. PATENT DOCUMENTS

1,908,200 A * 5/1933 Webster A47G 1/1686
248/495
D300,972 S * 5/1989 Streno D34/6

6,669,154 B1 * 12/2003 Remmers A47B 57/30
248/220.21
D526,887 S * 8/2006 Remmers D8/373
D543,094 S * 5/2007 Remmers D8/377
D682,661 S * 5/2013 Fitzpatrick F16M 13/02
D8/354
D705,043 S * 5/2014 Michaud D8/366
D730,719 S * 6/2015 Sundberg D8/354
D834,928 S * 12/2018 Lu D8/381
D863,040 S * 10/2019 DeDios-Shirley D8/354

* cited by examiner

Primary Examiner — Janice Hallmark

Assistant Examiner — Harold E Blackwell, II

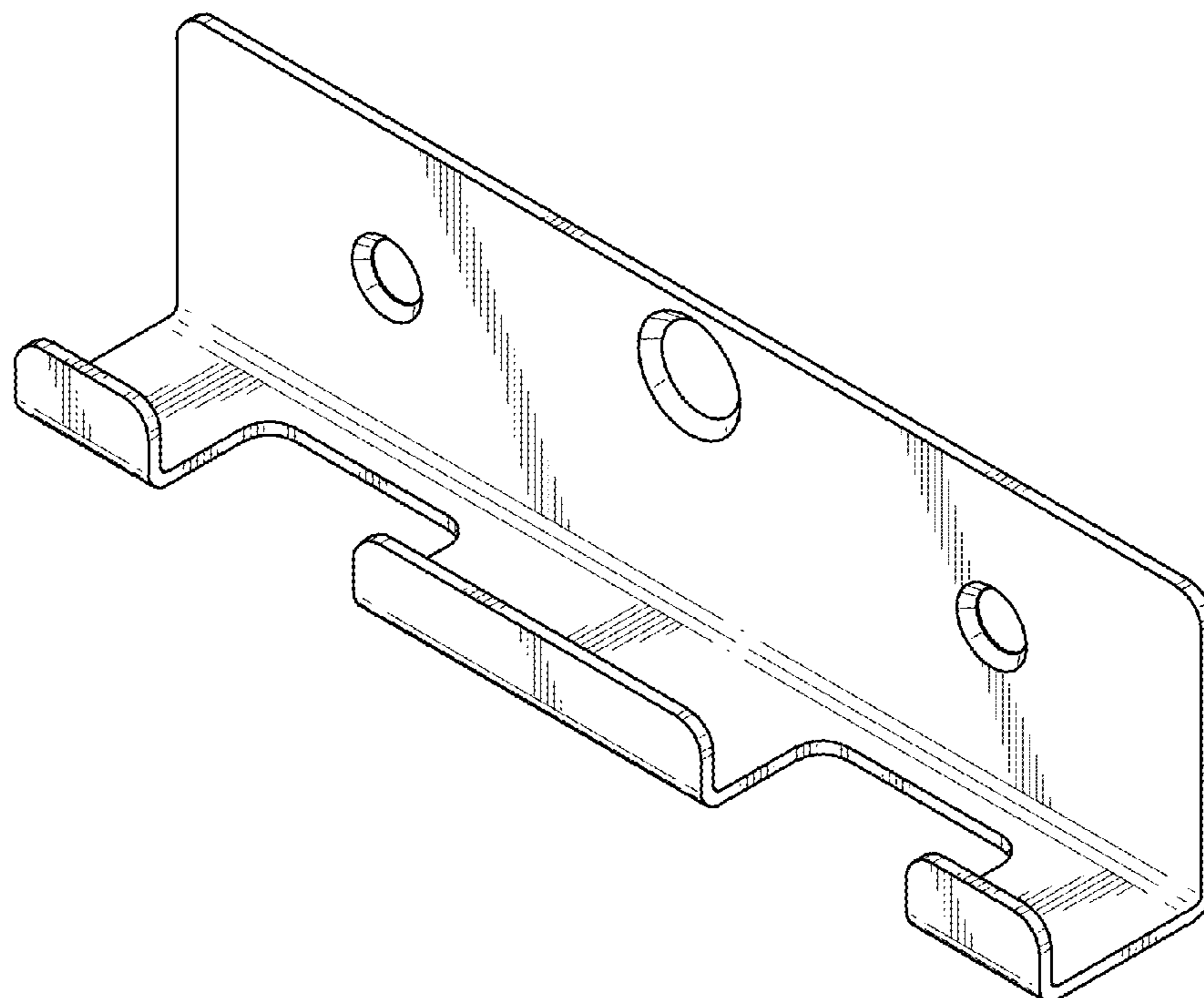
(57) **CLAIM**

The ornamental design for a mounting apparatus, as shown and described.

DESCRIPTION

FIG. 1 is a perspective view of the mounting apparatus showing our new design;
FIG. 2 is a front elevational view of the mounting apparatus shown in FIG. 1;
FIG. 3 is a back elevational view of the mounting apparatus shown in FIG. 1;
FIG. 4 is a top plan view of the mounting apparatus shown in FIG. 1;
FIG. 5 is a bottom plan view of the mounting apparatus shown in FIG. 1;
FIG. 6 is a right side elevational view of the mounting apparatus shown in FIG. 1; and,
FIG. 7 is a left side elevational view of the mounting apparatus shown in FIG. 1.

1 Claim, 4 Drawing Sheets



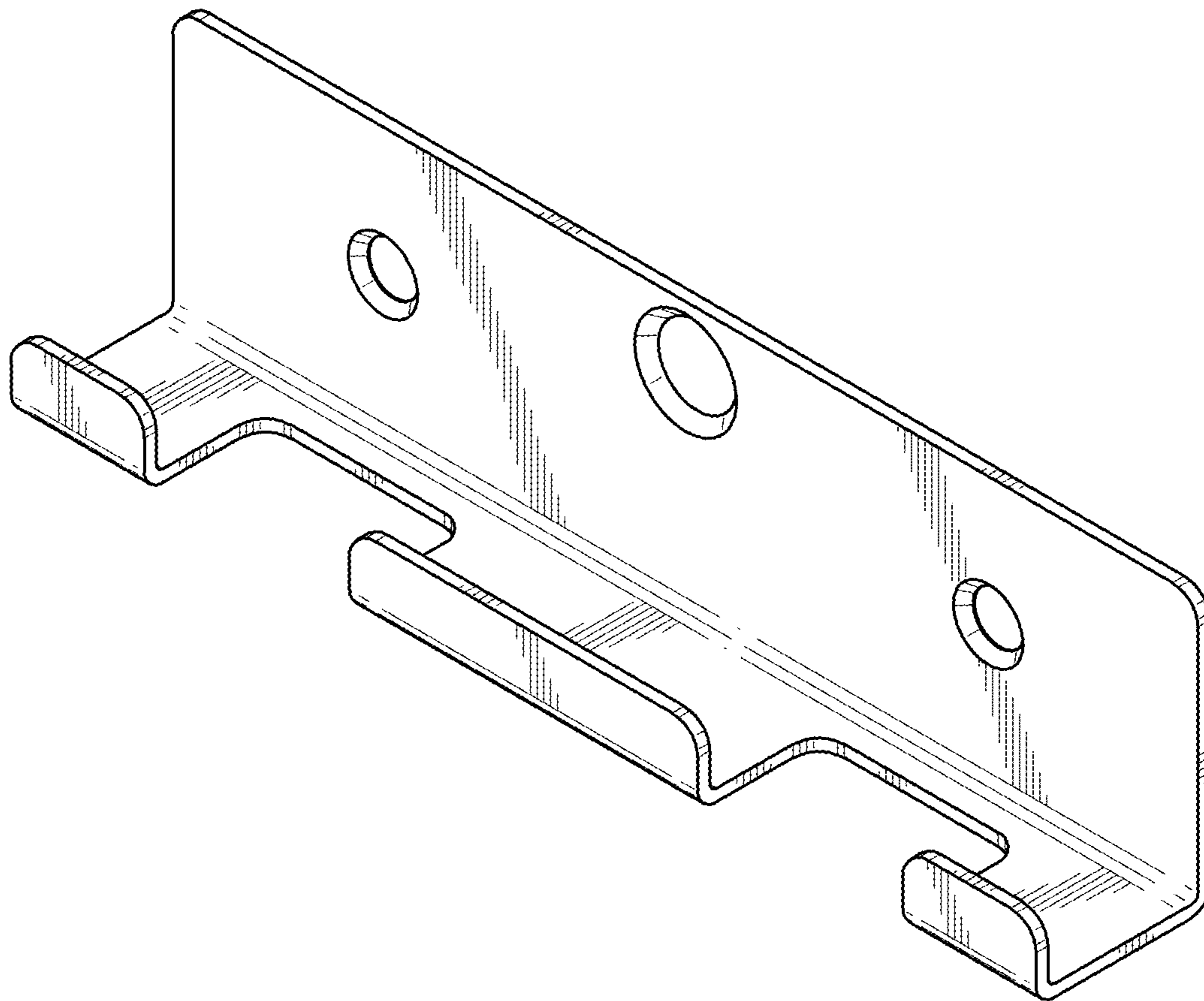


FIG. 1

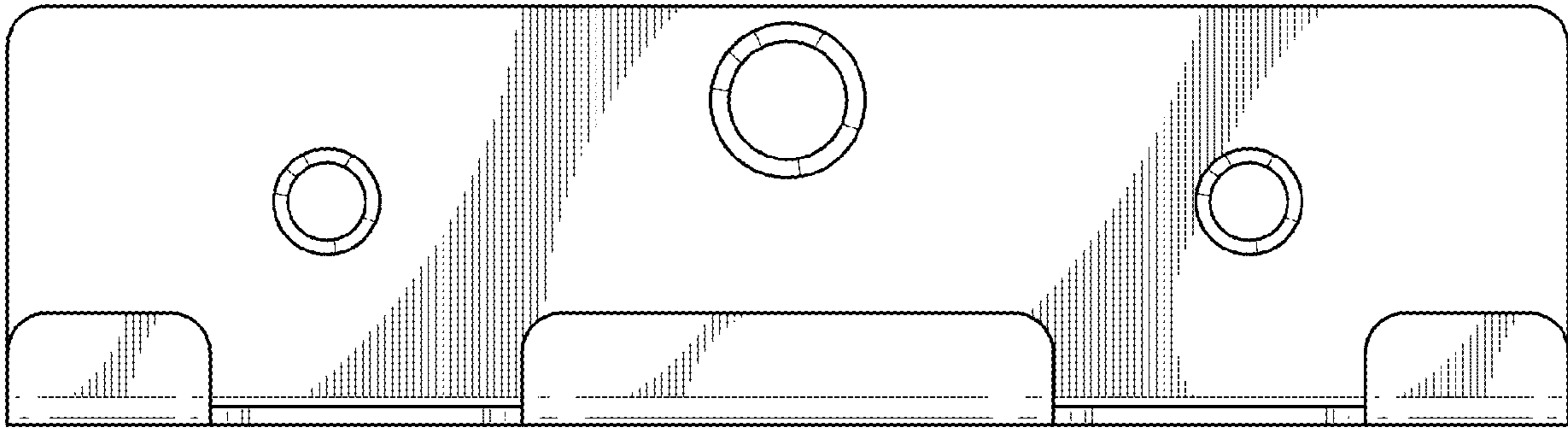


FIG. 2

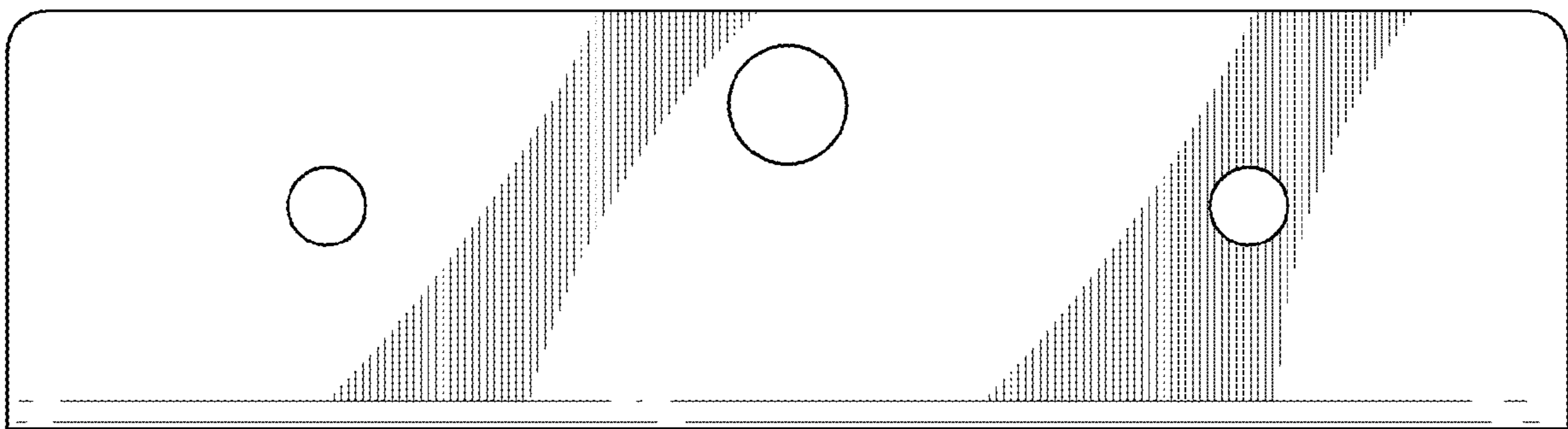


FIG. 3

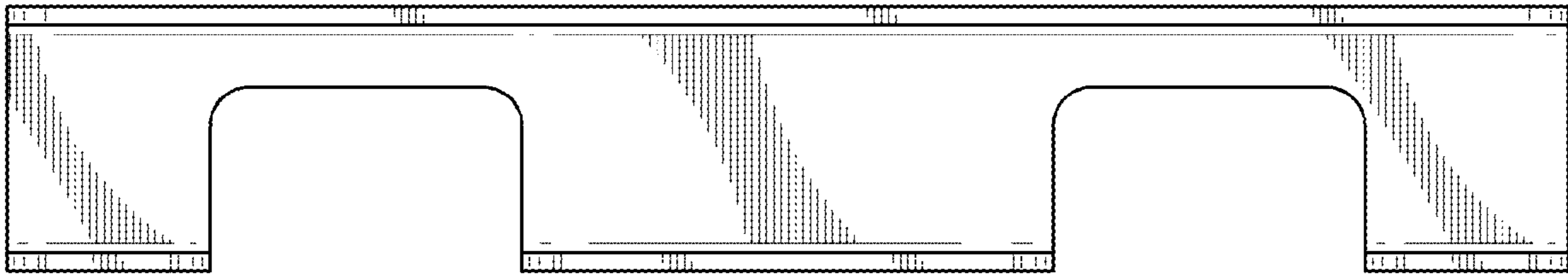


FIG. 4

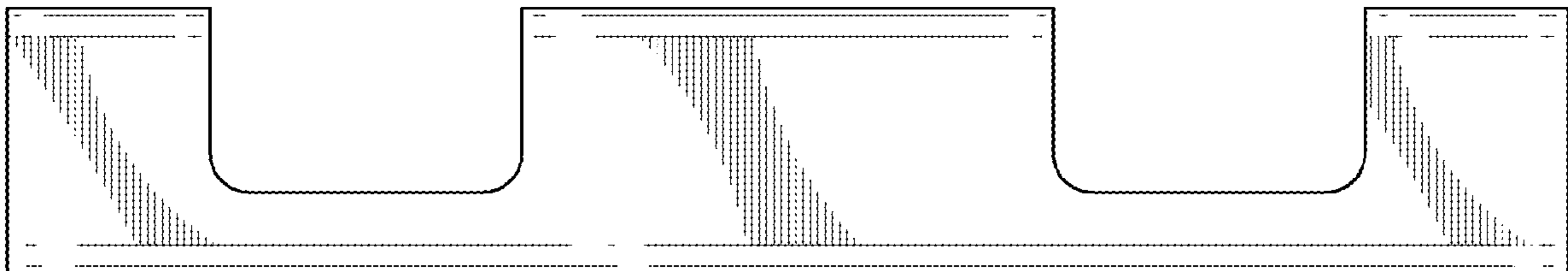


FIG. 5

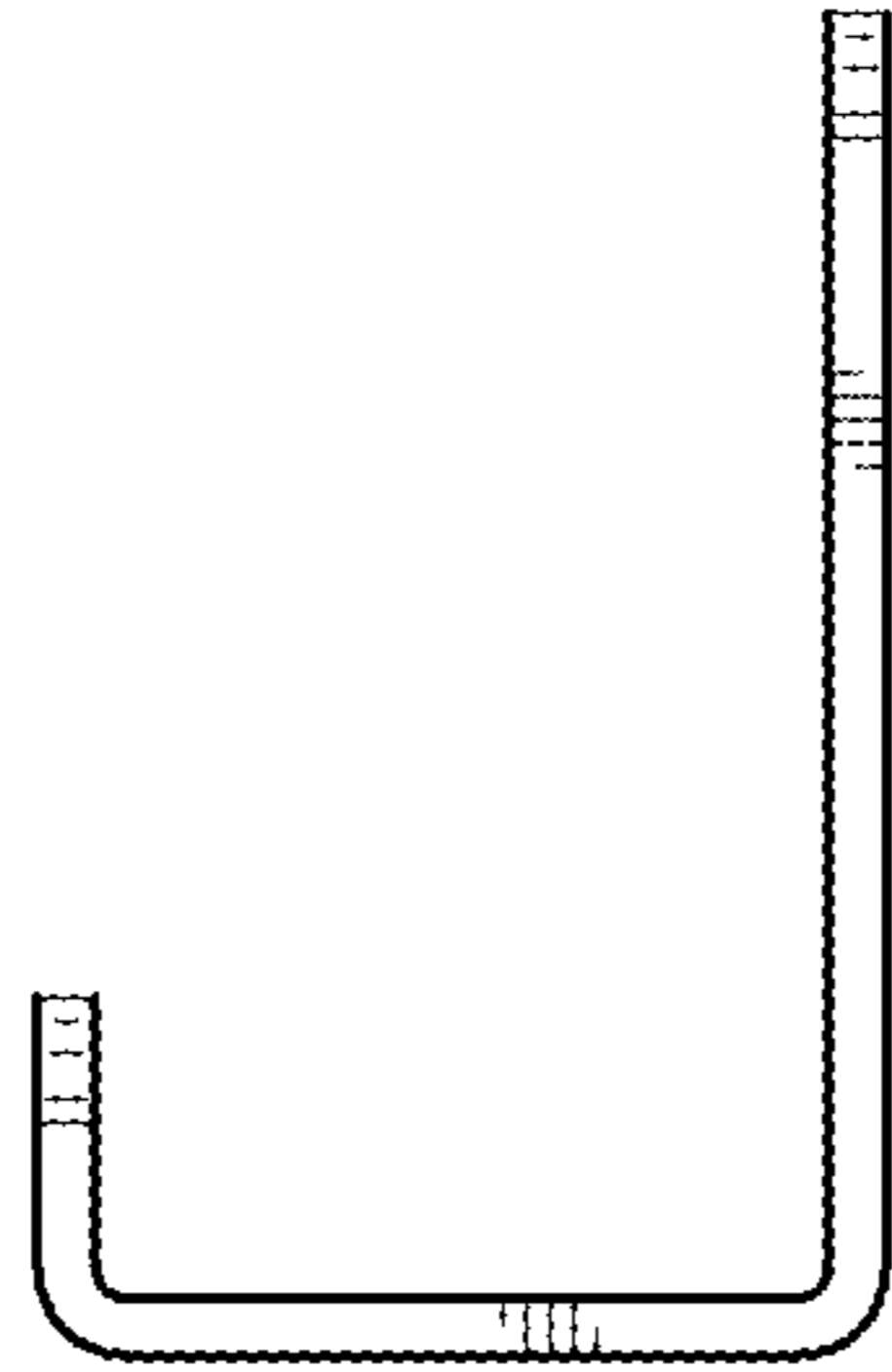


FIG. 6

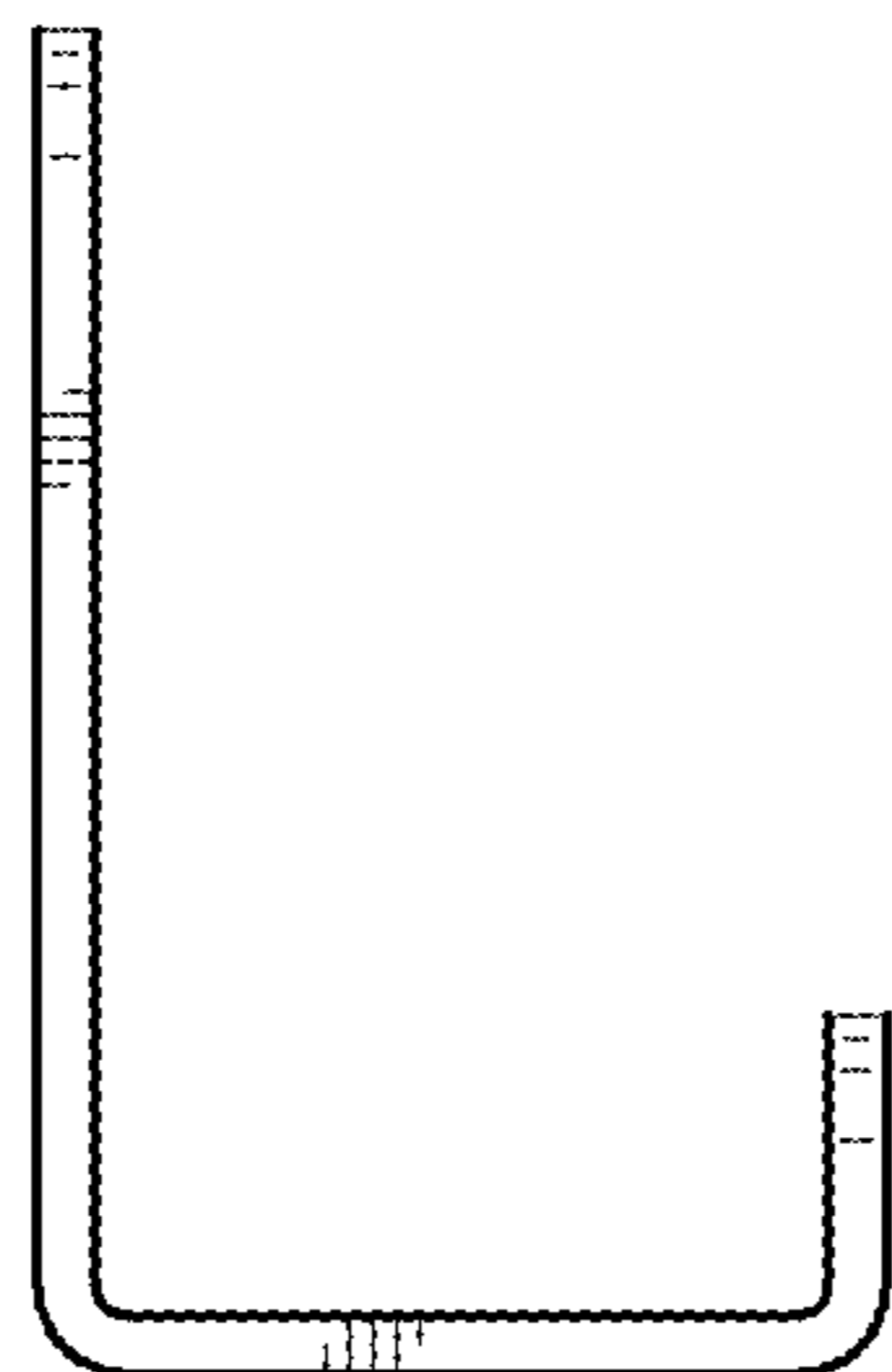


FIG. 7