



US00D925337S

(12) **United States Design Patent** (10) **Patent No.:** **US D925,337 S**  
**Wortmann et al.** (45) **Date of Patent:** **\*\* Jul. 20, 2021**

(54) **PADLOCK** 10,119,303 B2 \* 11/2018 Garthe ..... E05B 39/04  
10,458,153 B2 \* 10/2019 Nguyen ..... E05B 67/10  
(71) Applicant: **ABUS August Bremicker Söhne KG,** D866,292 S \* 11/2019 Abdul ..... D8/334  
Wetter-Volmarstein (DE) 10,508,474 B2 \* 12/2019 Wyatt ..... E05B 67/38

(72) Inventors: **Guido Jan Wortmann,**  
Wetter-Volmarstein (DE); **Martin**  
**Ulrich,** Wetter-Volmarstein (DE)

FOREIGN PATENT DOCUMENTS

CN 304961471 S 12/2018

(73) Assignee: **ABUS August Bremicker Söhne KG,**  
Wetter-Volmarstein (DE)

OTHER PUBLICATIONS

ABUS overseas catalog, "Security and Safety Solutions"; pp. 1-61.  
Year: 2012.

(\*\*) Term: **15 Years**

\* cited by examiner

(21) Appl. No.: **29/718,296**

*Primary Examiner* — Doris Clark

(22) Filed: **Dec. 23, 2019**

(74) *Attorney, Agent, or Firm* — Dinsmore & Shohl LLP

(30) **Foreign Application Priority Data**

Jun. 24, 2019 (EM) ..... 006594123

(57) **CLAIM**

(51) **LOC (13) Cl.** ..... **08-07**

The ornamental design for a padlock, as shown and described.

(52) **U.S. Cl.**

USPC ..... **D8/334**

(58) **Field of Classification Search**

USPC ..... D25/334

CPC ..... E05B 47/00; E05B 67/06; E05B 67/00;

E05B 67/22; E05B 67/02; E05B 67/04;

Y10T 292/087; Y10T 70/413; Y10T

70/428

See application file for complete search history.

**DESCRIPTION**

FIG. 1 is a top front perspective view illustrating a padlock;

FIG. 2 is a top rear perspective view of the padlock;

FIG. 3 is a front view of the padlock;

FIG. 4 is a rear side view of the padlock;

FIG. 5 is a left side view of the padlock;

FIG. 6 is a right view of the padlock;

FIG. 7 is a top view of the padlock; and,

FIG. 8 is a bottom view of the padlock.

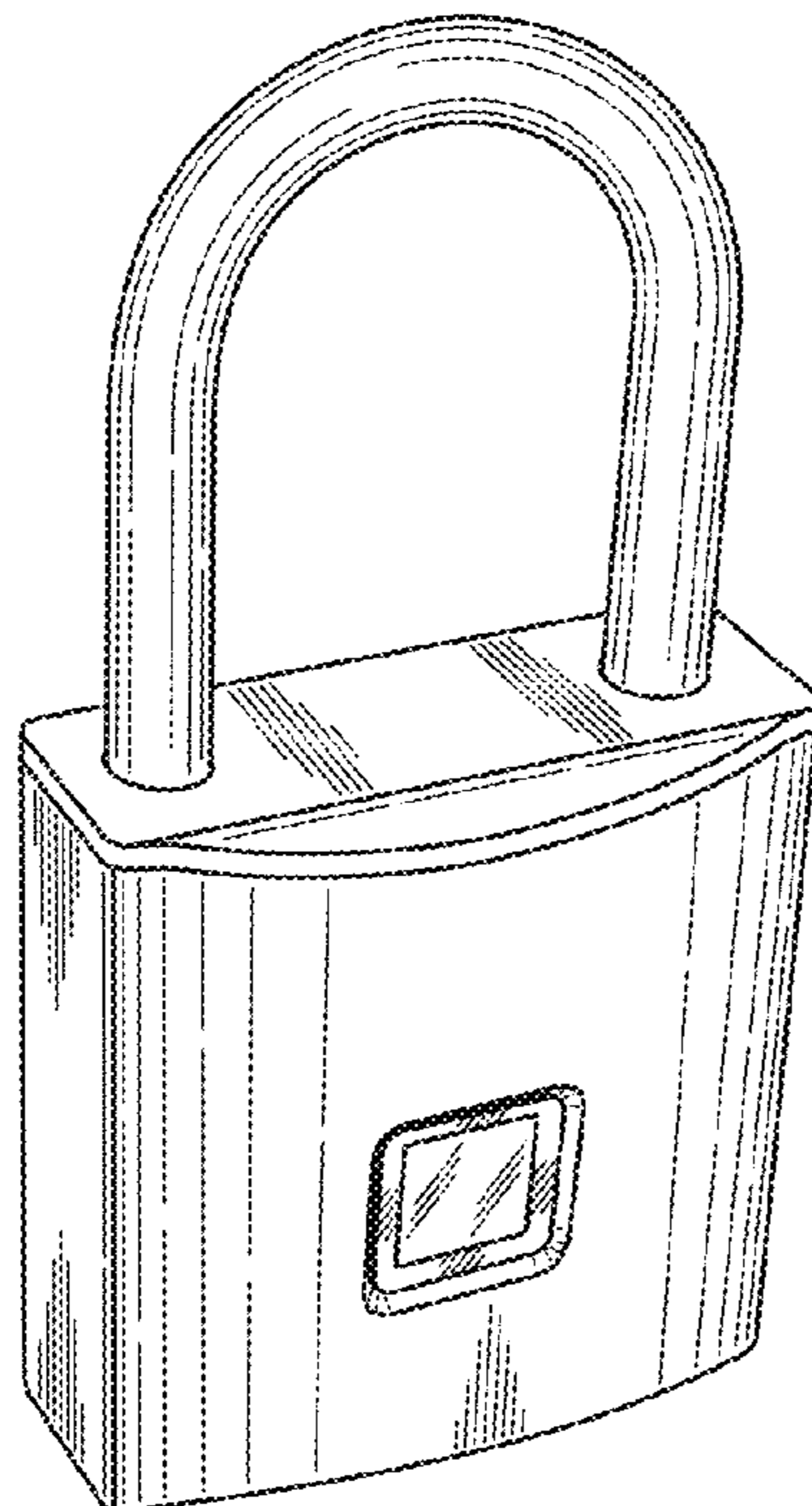
(56) **References Cited**

U.S. PATENT DOCUMENTS

9,495,820 B1 \* 11/2016 Li ..... E05B 37/0068

D813,645 S \* 3/2018 Nguyen ..... D8/334

**1 Claim, 8 Drawing Sheets**



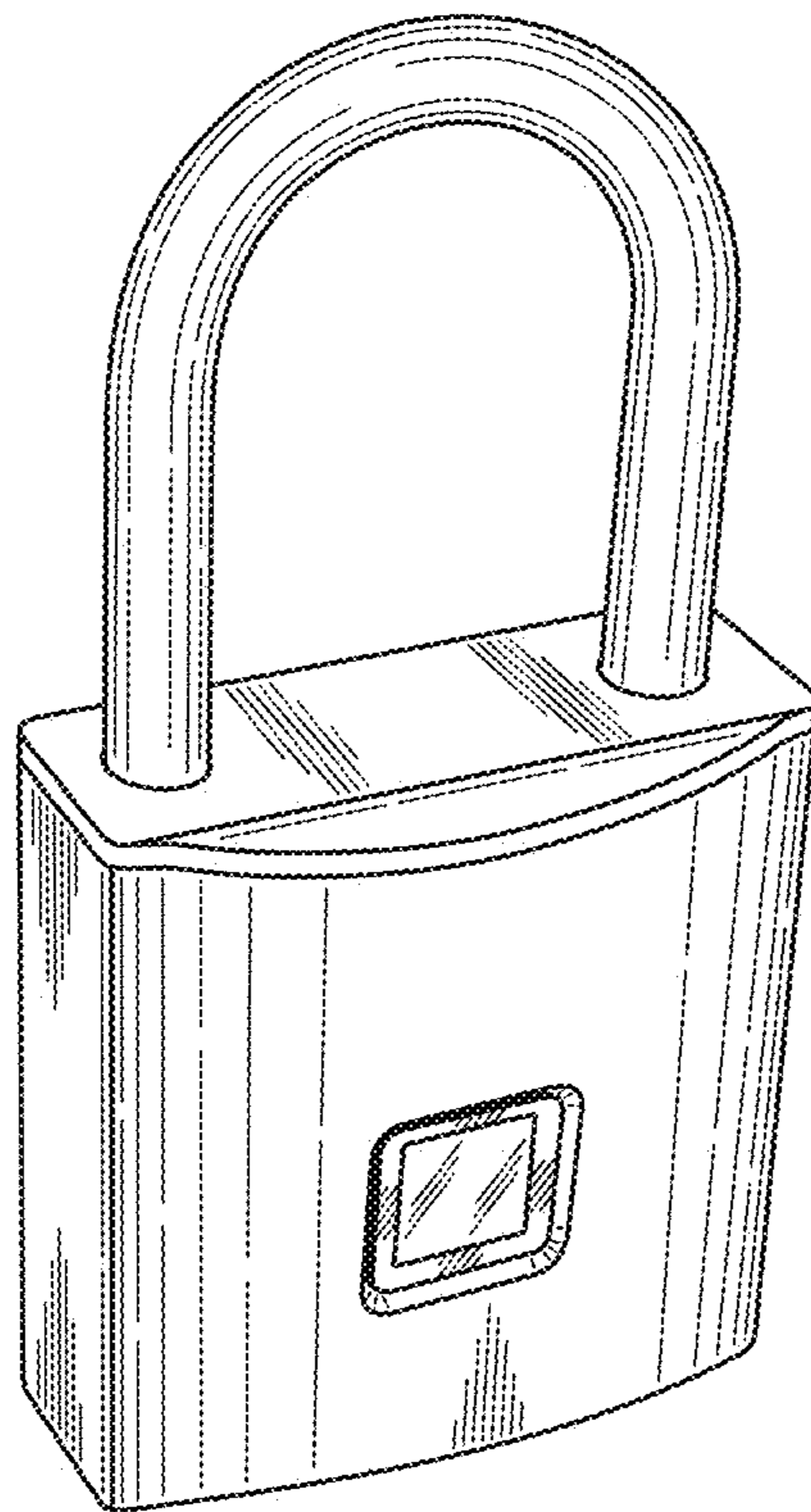


FIG. 1

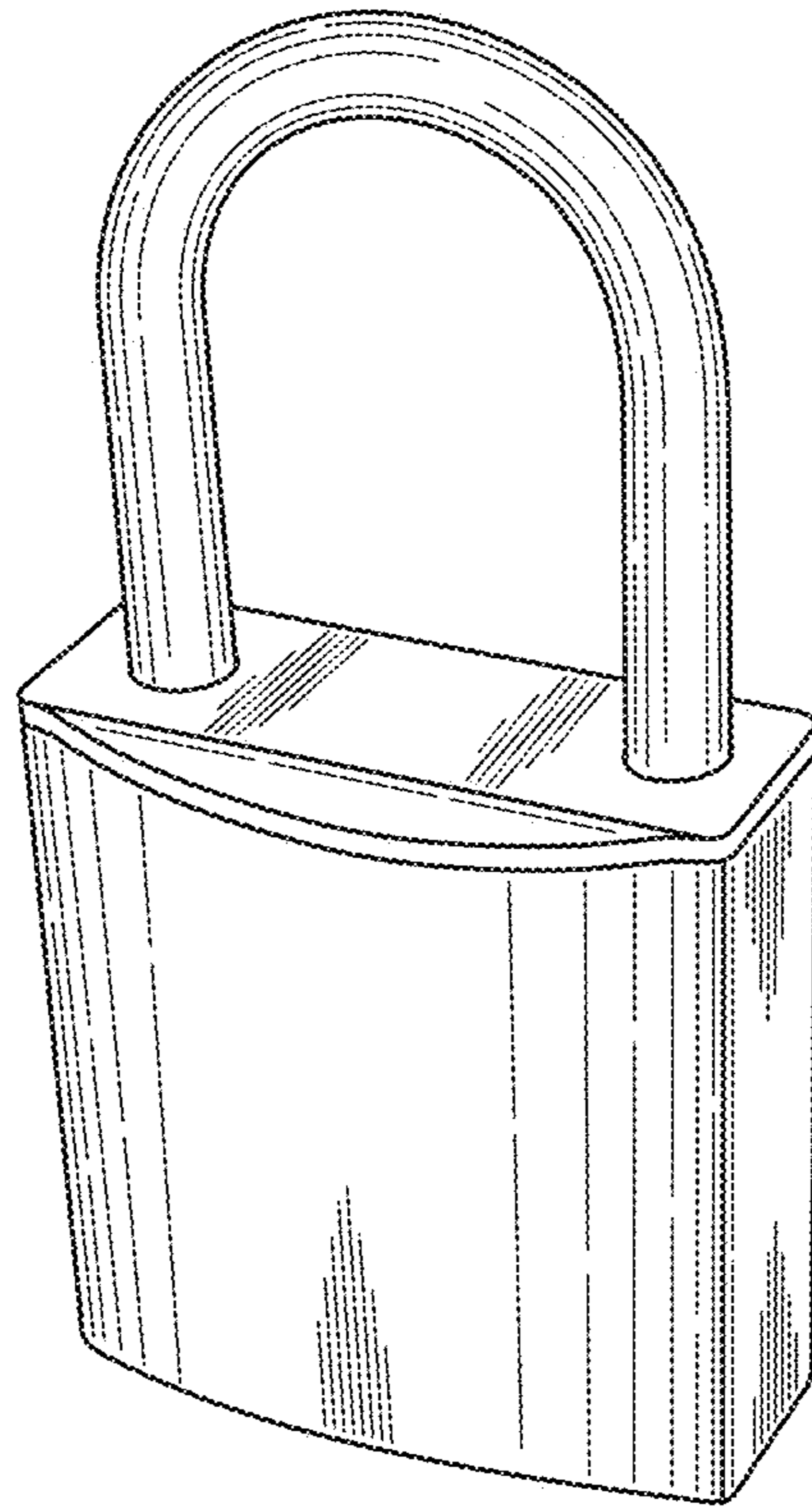


FIG. 2

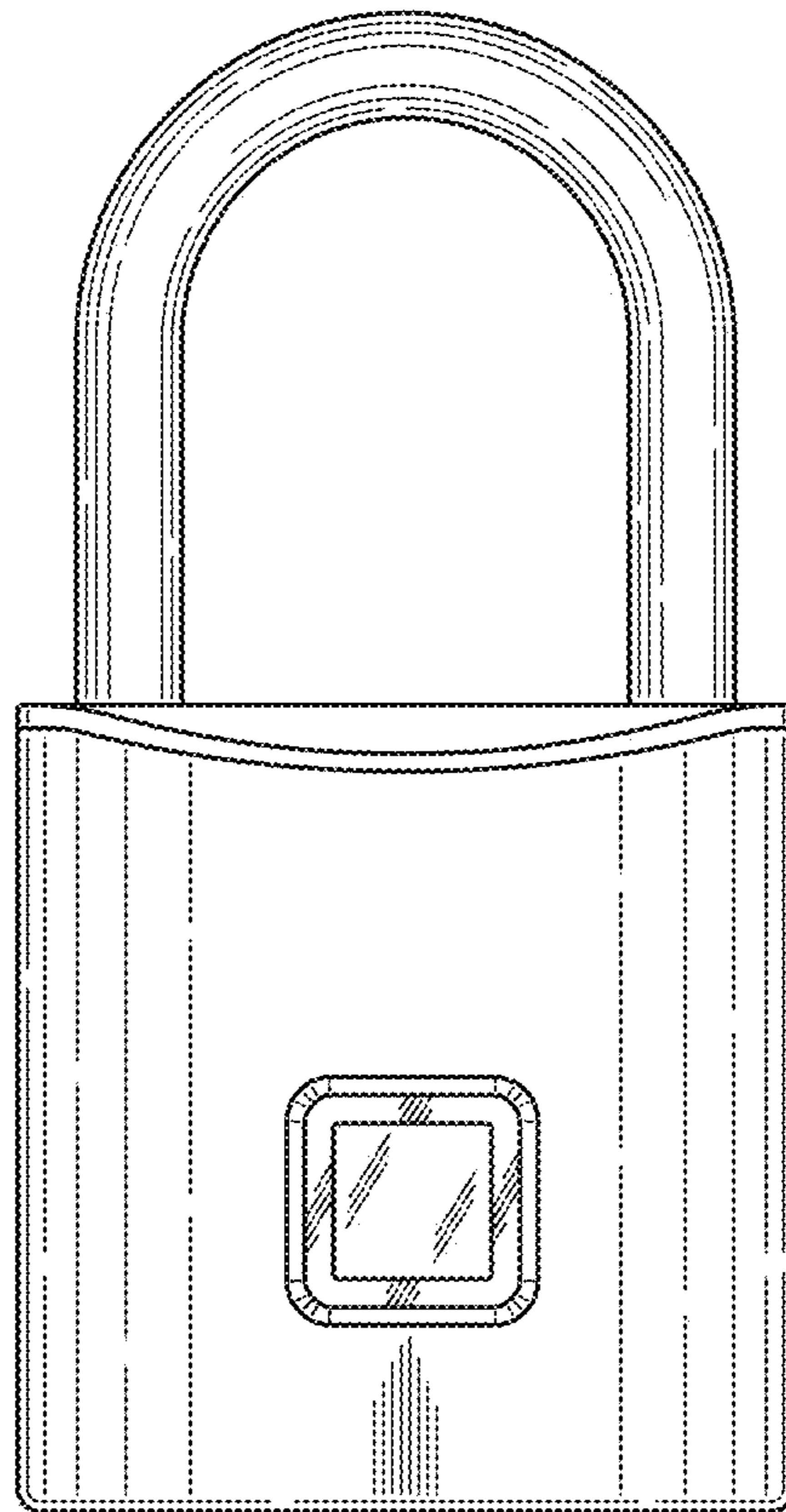


FIG. 3

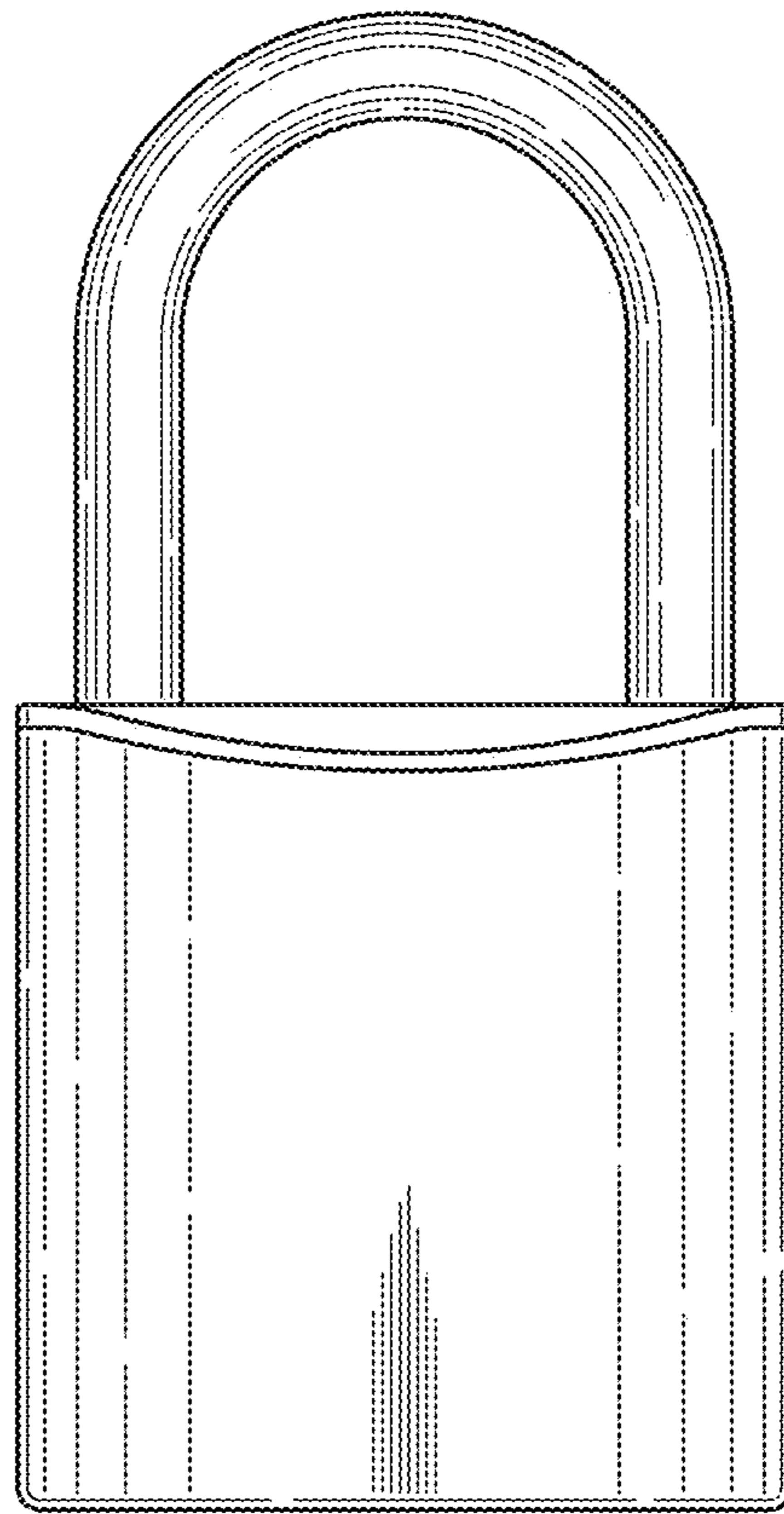


FIG. 4

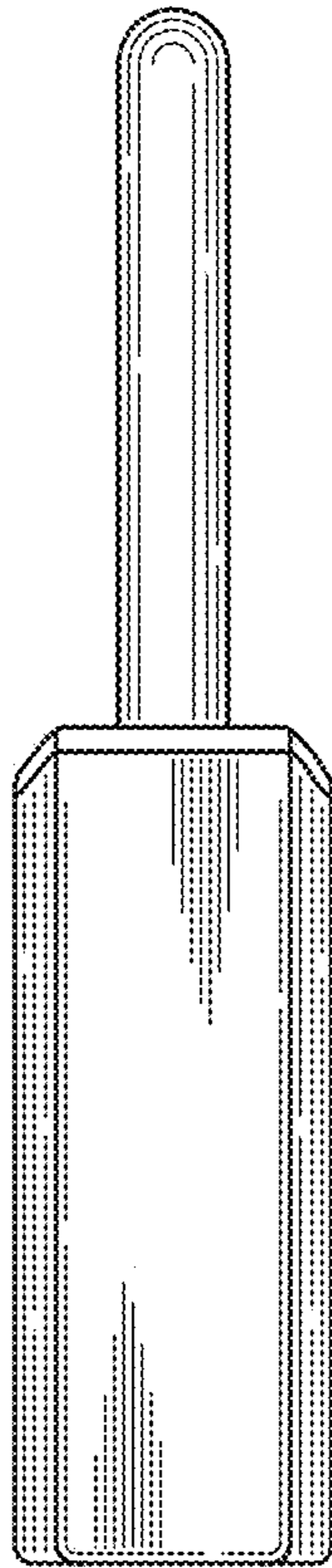


FIG. 5



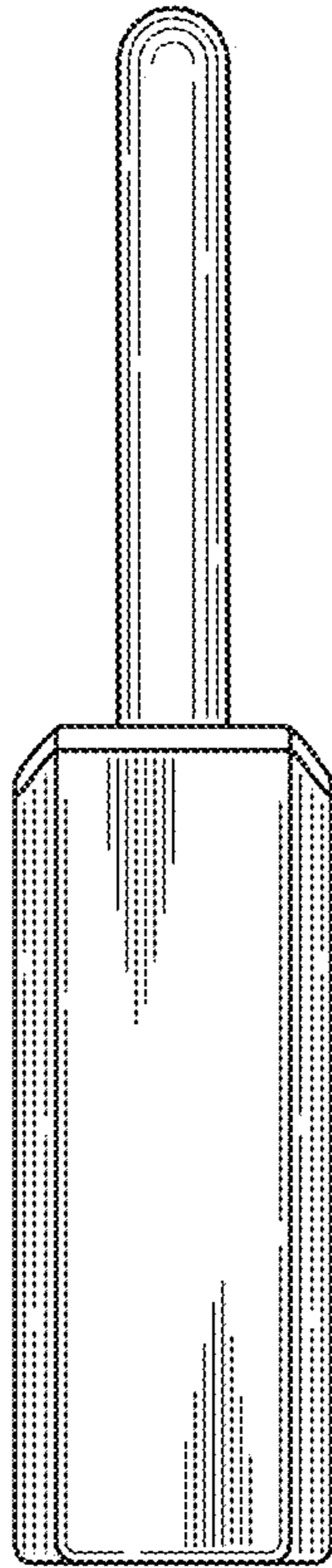


FIG. 6

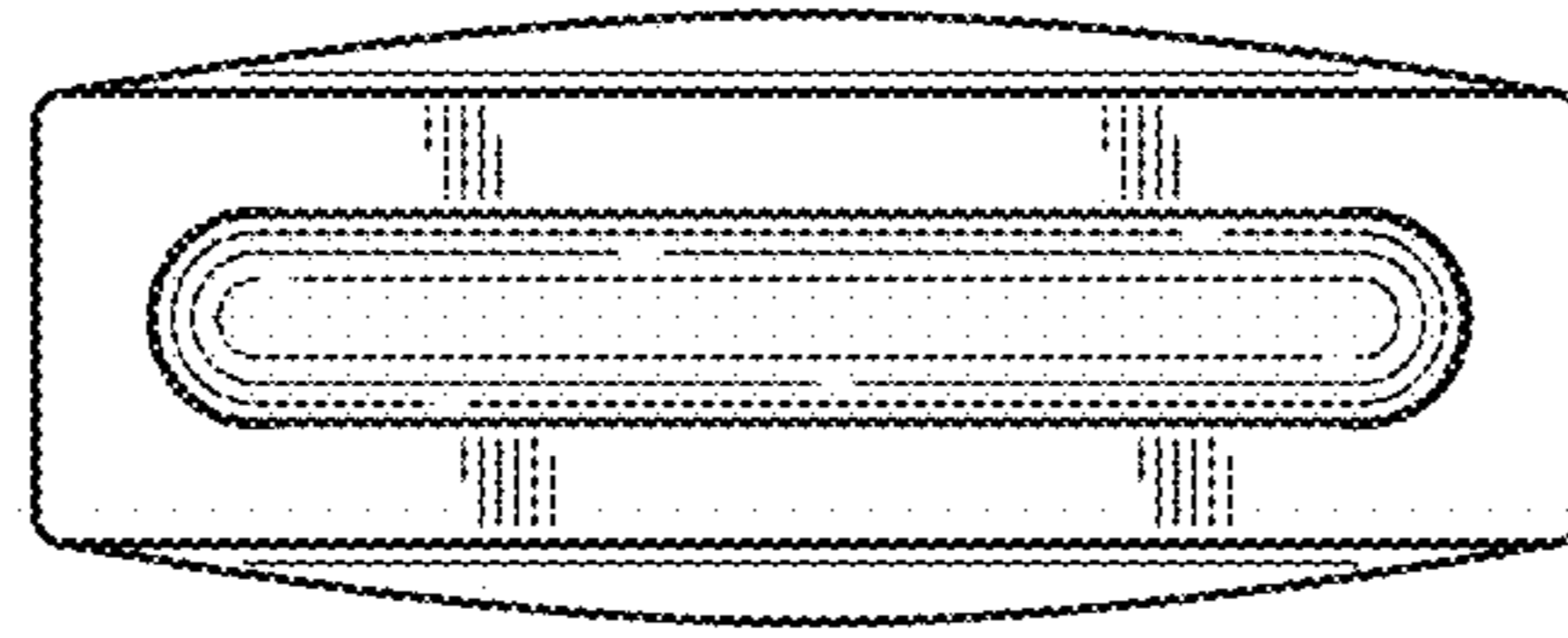


FIG. 7



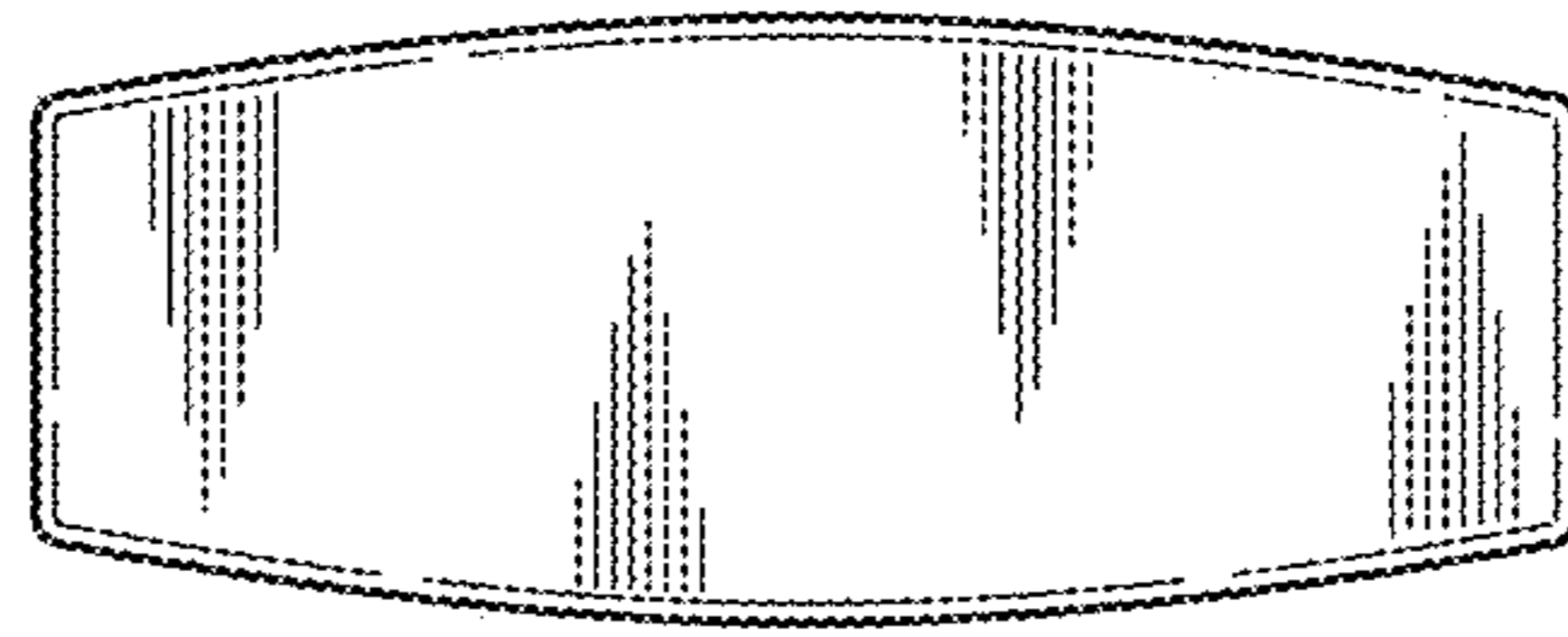


FIG. 8