



US00D925336S

(12) **United States Design Patent**
Zhang

(10) **Patent No.:** **US D925,336 S**

(45) **Date of Patent:** **** Jul. 20, 2021**

(54) **MAGNETIC LOCK**

(71) Applicant: **Ningbo Eudemon Child Protective Equipment Co., Ltd., Zhejiang (CN)**

(72) Inventor: **Zhen Zhang, Zhejiang (CN)**

(**) Term: **15 Years**

(21) Appl. No.: **29/702,073**

(22) Filed: **Aug. 16, 2019**

(51) **LOC (13) Cl.** **08-07**

(52) **U.S. Cl.**
USPC **D8/331**

(58) **Field of Classification Search**
USPC D8/331
CPC .. E05B 47/00; E05B 47/0002; E05B 47/0046;
E05B 47/0038; E05B 65/06; E05B 65/08;
E05B 65/46; E05B 65/0085; E05B
65/0007; E05B 15/0073; E05C 19/166;
E05C 19/168; E05C 19/16; E05C 19/161
See application file for complete search history.

(56) **References Cited**

U.S. PATENT DOCUMENTS

7,322,621 B2* 1/2008 Liao E05B 47/0047
292/341.16
7,931,313 B2* 4/2011 Carabalona E05B 83/32
292/251.5

D790,949 S * 7/2017 Aerts D8/331
9,790,708 B2* 10/2017 Clark E05C 1/06
10,160,391 B2* 12/2018 Abdel Majid E05C 19/166
D840,212 S * 2/2019 Huang D8/331
10,422,161 B2* 9/2019 Connan E05B 47/0045
10,422,168 B2* 9/2019 Chang E05B 47/00
10,597,915 B2* 3/2020 Biernat E05C 3/34
10,656,590 B2* 5/2020 Shiina E05B 65/006
10,672,548 B2* 6/2020 Srinivasan H01F 7/0263

* cited by examiner

Primary Examiner — Doris Clark

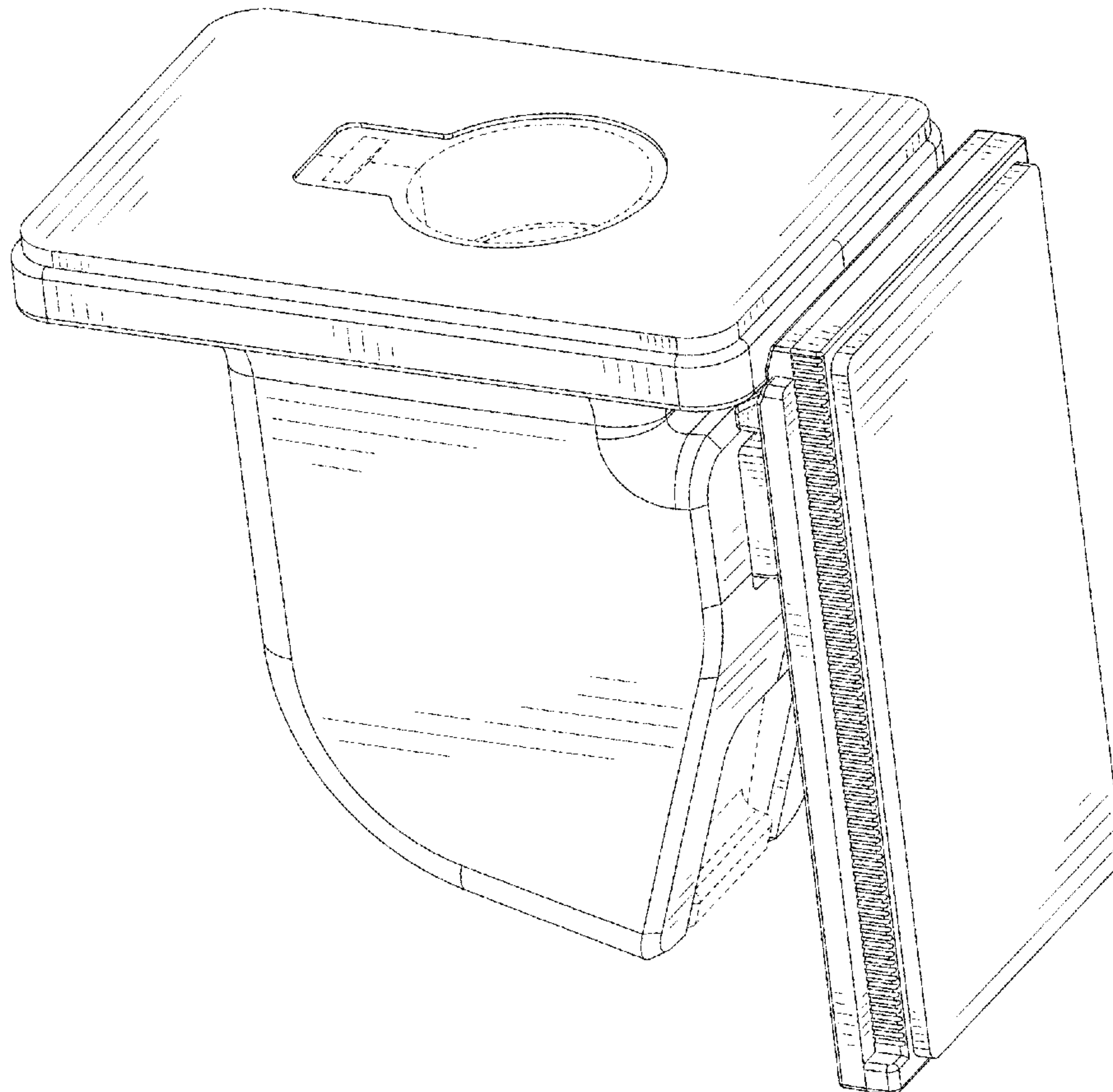
(57) **CLAIM**

The ornamental design for a magnetic lock, as shown and described.

DESCRIPTION

FIG. 1 is a front elevational view of a magnetic lock showing my new design;
FIG. 2 is a rear elevational view thereof;
FIG. 3 is a left side view thereof;
FIG. 4 is a right side view thereof;
FIG. 5 is a top plan view thereof;
FIG. 6 is a bottom plan view thereof; and,
FIG. 7 is a perspective view thereof.

1 Claim, 7 Drawing Sheets



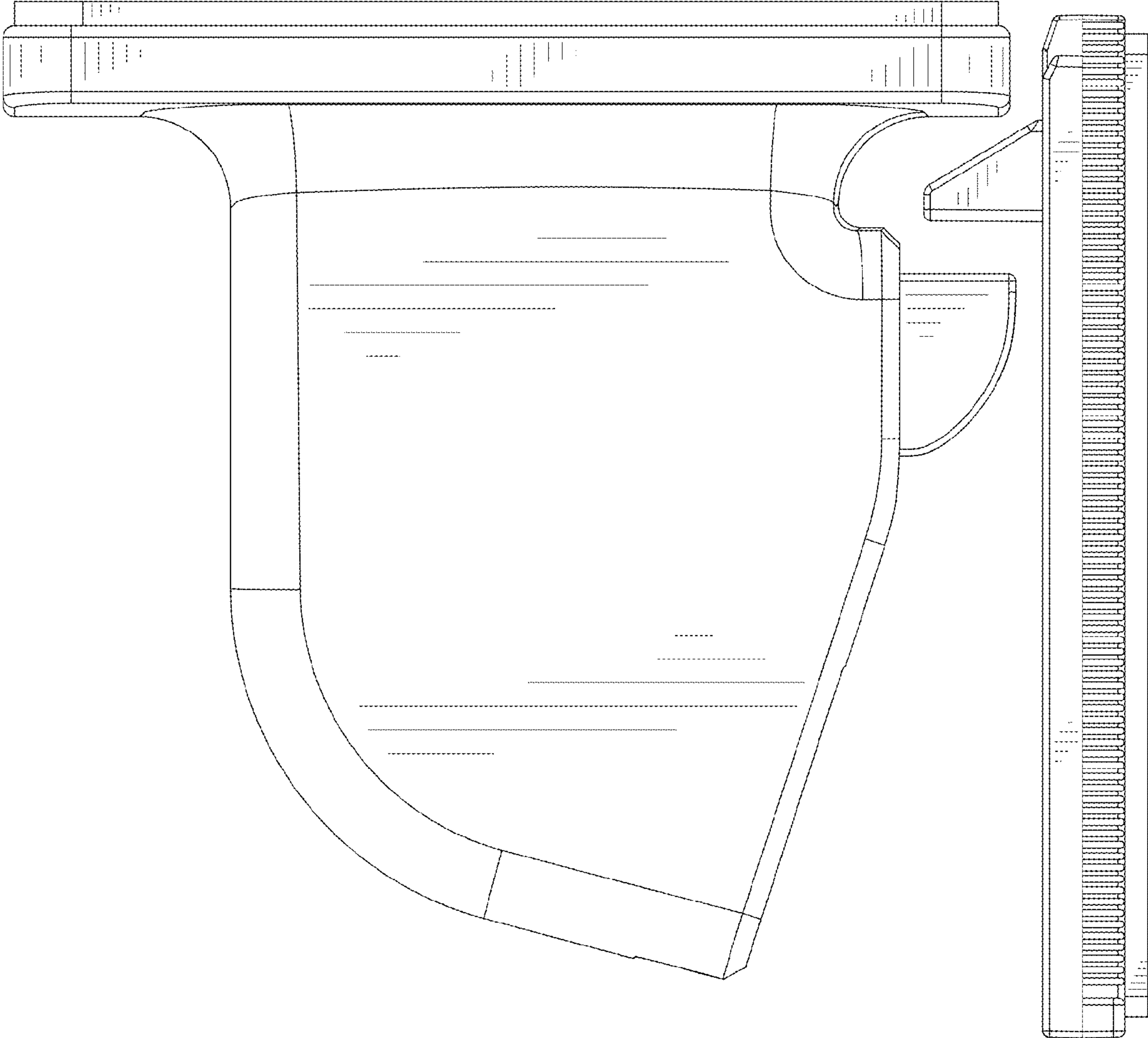


FIG. 1

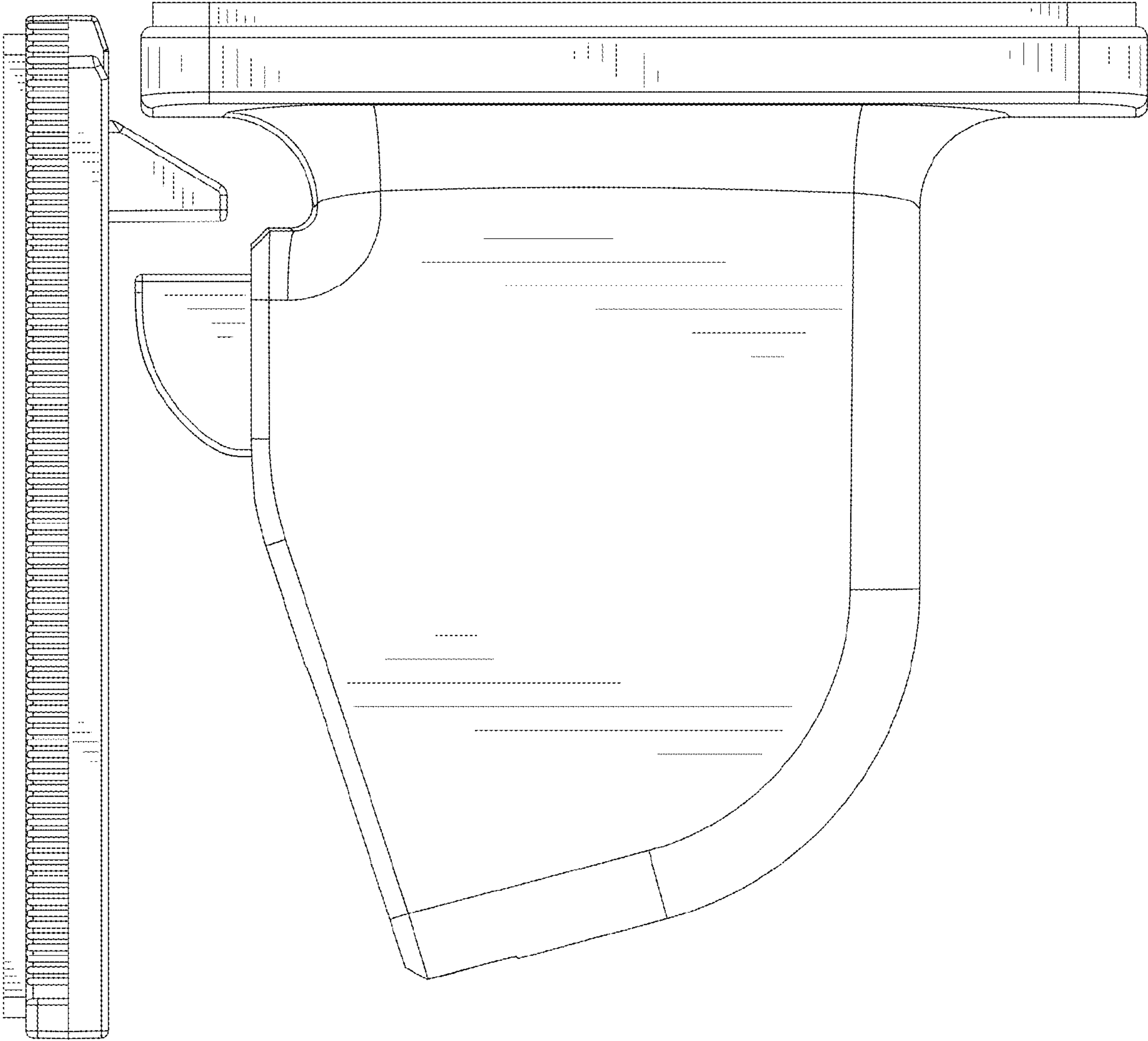


FIG. 2

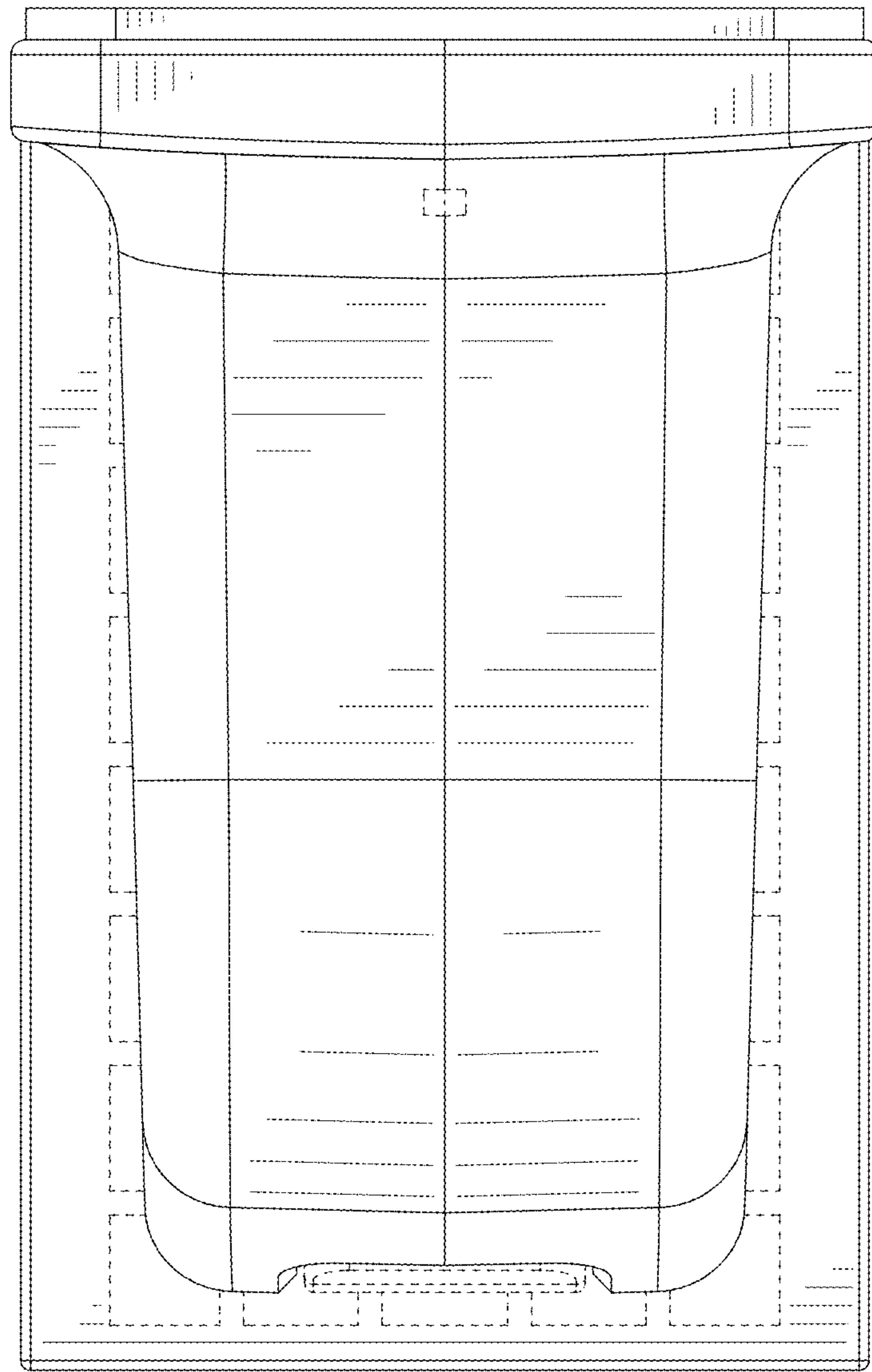


FIG. 3

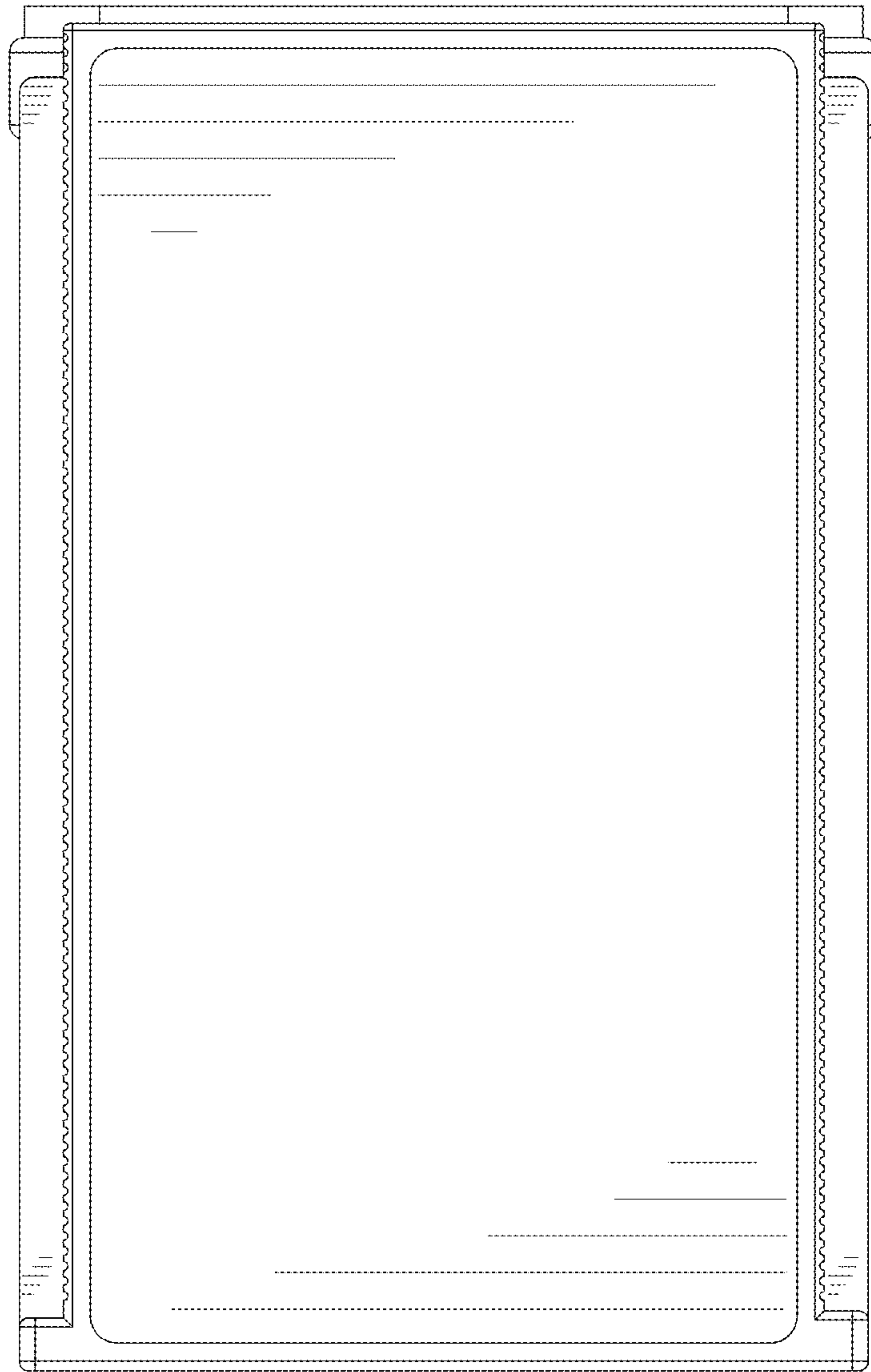


FIG. 4

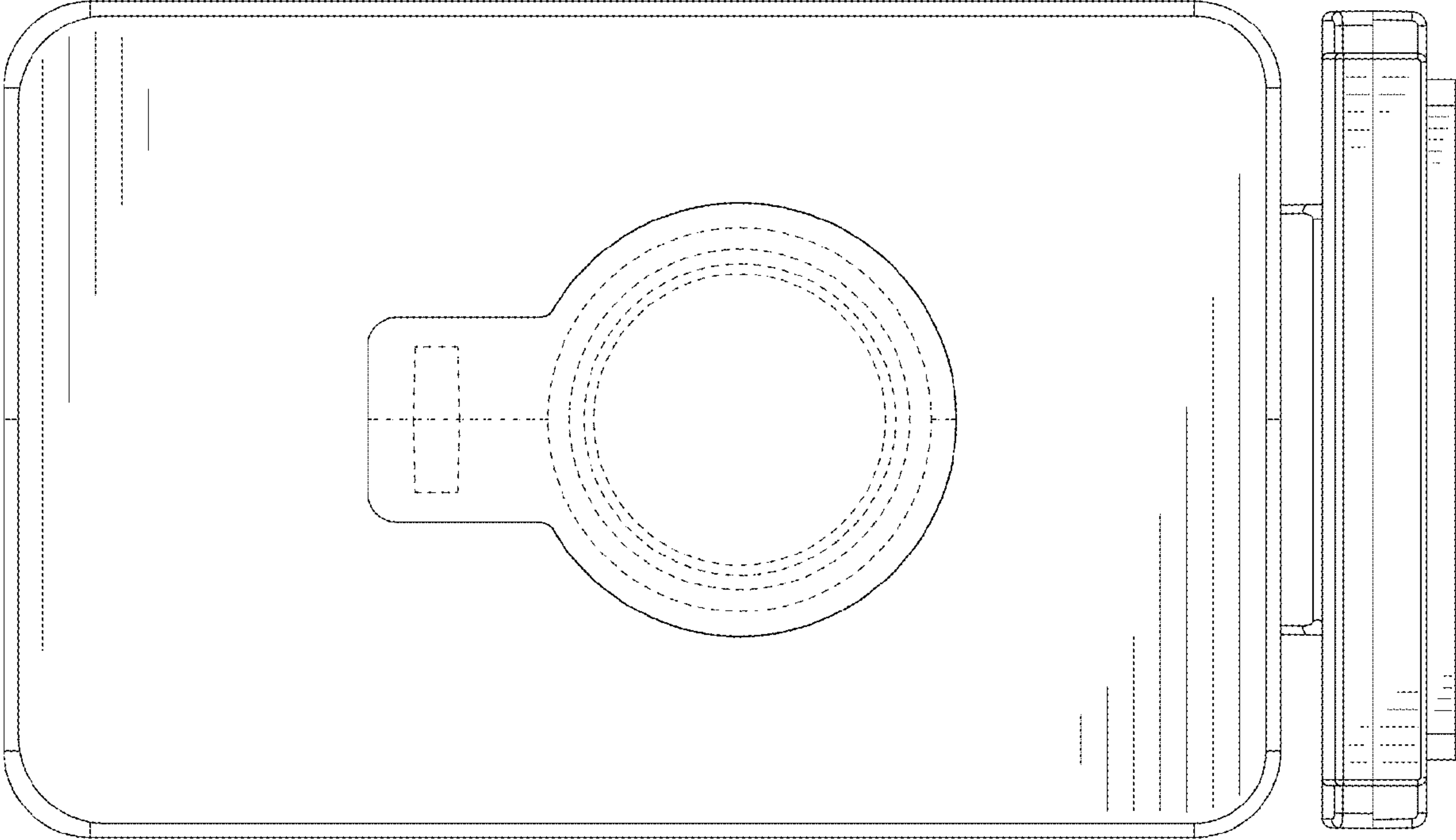


FIG. 5

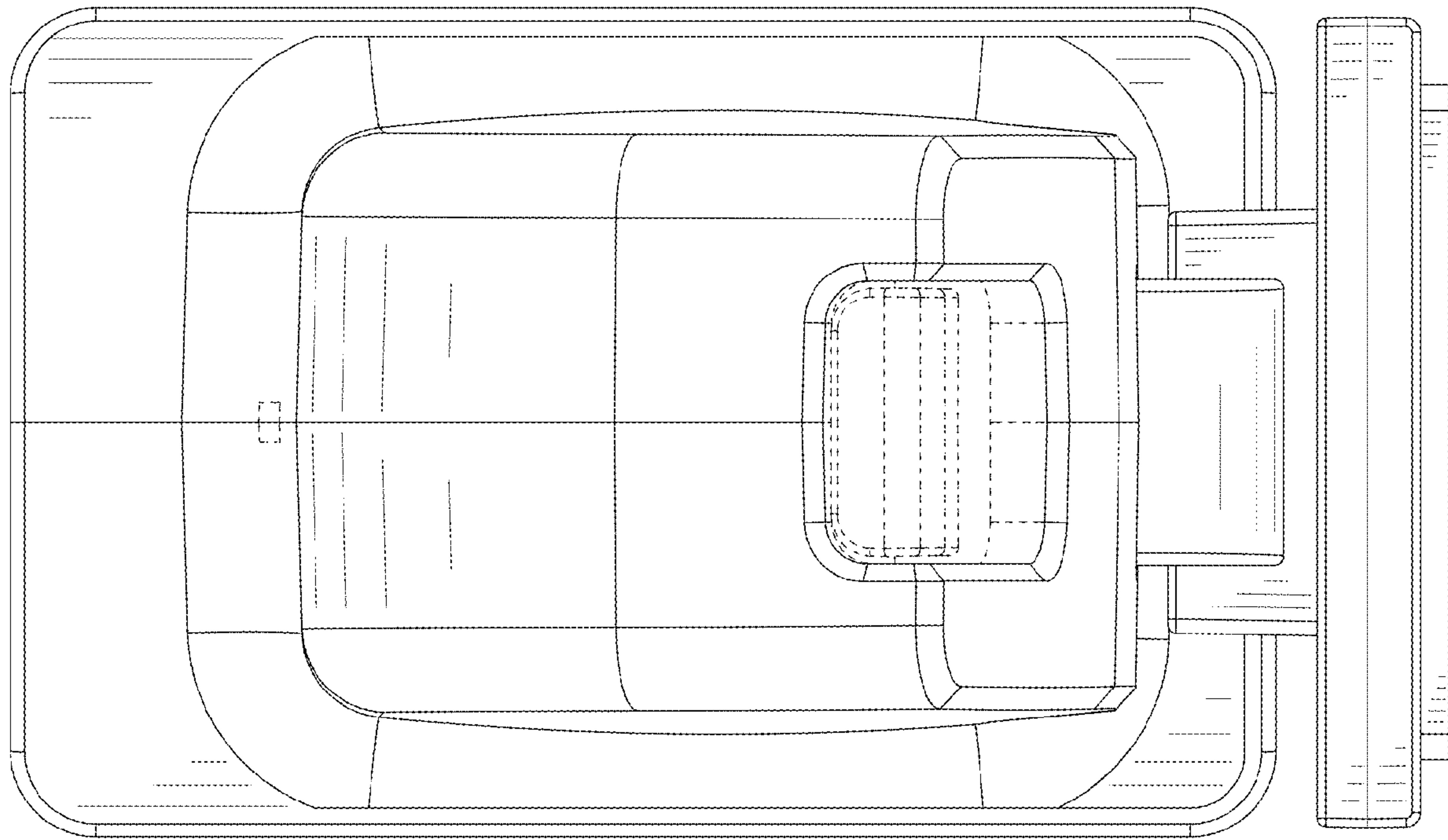


FIG. 6

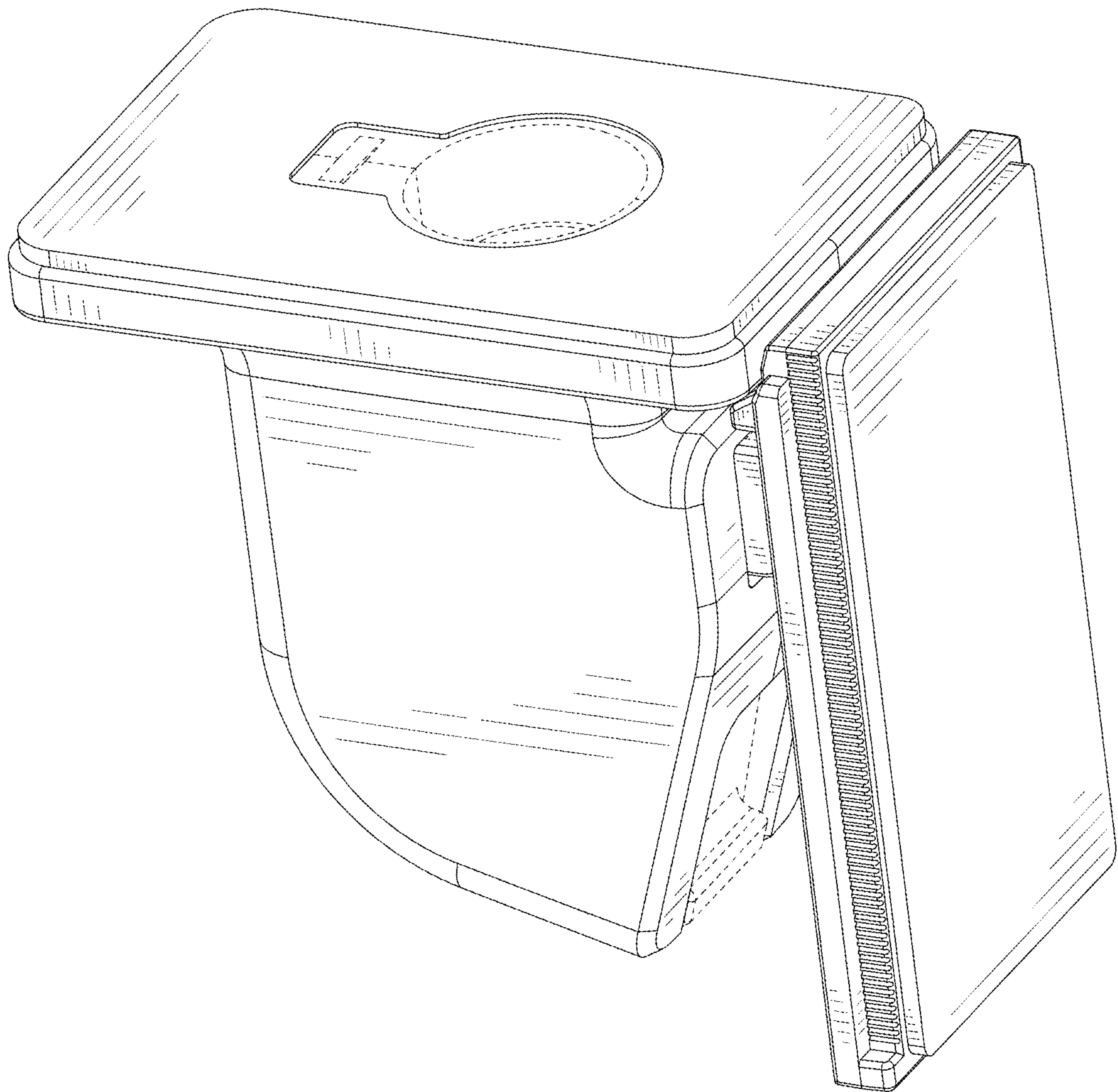


FIG. 7