



US00D925335S

(12) **United States Design Patent** (10) **Patent No.:** **US D925,335 S**  
**Lee** (45) **Date of Patent:** **\*\* Jul. 20, 2021**

(54) **LATCH**  
(71) Applicant: **Taiwan Fu Hsing Industrial Co., Ltd.**,  
Kaohsiung (TW)  
(72) Inventor: **Ching-Wan Lee**, Kaohsiung (TW)  
(73) Assignee: **Taiwan Fu Hsing Industrial Co., Ltd.**,  
Kaohsiung (TW)

(\*\*) Term: **15 Years**  
(21) Appl. No.: **29/695,887**  
(22) Filed: **Jun. 24, 2019**

(30) **Foreign Application Priority Data**

Mar. 22, 2019 (TW) ..... 108301661  
(51) **LOC (13) Cl.** ..... **08-07**  
(52) **U.S. Cl.**  
USPC ..... **D8/331; D8/330**  
(58) **Field of Classification Search**  
USPC ..... D8/330-333, 336, 338, 343-346,  
D8/300-302, 306-329  
CPC ..... Y10T 292/0867; Y10T 292/0971; Y10T  
292/0969; Y10T 292/06; Y10T 292/62;  
Y10T 403/553; Y10T 403/7013; Y10T  
403/7018; Y10T 292/68; Y10T 292/0803;  
Y10T 292/0848; Y10T 70/5199; E05C  
1/163; E05B 9/08; E05B 9/002; E05B  
47/0012; E05B 63/0017; E05B 65/0007;  
E05B 63/006; E05B 63/10; E05B  
27/0003; E05B 79/04; E05B 9/00; E05B  
65/0811; E05B 1/003; E05B 17/18; E05B  
83/00; E05Y 2201/20; E02F 9/2825;  
E02F 9/2841  
See application file for complete search history.

(56) **References Cited**

**U.S. PATENT DOCUMENTS**

3,112,944 A \* 12/1963 Adler ..... E05B 55/005  
292/169.13  
4,372,594 A \* 2/1983 Gater ..... E05B 63/06  
292/1.5

(Continued)

**FOREIGN PATENT DOCUMENTS**

CA 148047 \* 10/2012  
CN 301401166 \* 5/2010

(Continued)

**OTHER PUBLICATIONS**

Kwikset Store, Adjustable Plain Latch, Date first available May 7, 2008, [online]retrieved May 4, 2021,available from [https://www.amazon.com/Kwikset-6-Way-Adjustable-Plain-Latch/dp/B003Z774MM/ref=pd\\_di\\_sccai\\_13?pd\\_rd\\_w=7nuuK&pf\\_rd\\_p=c9443270-b914-44](https://www.amazon.com/Kwikset-6-Way-Adjustable-Plain-Latch/dp/B003Z774MM/ref=pd_di_sccai_13?pd_rd_w=7nuuK&pf_rd_p=c9443270-b914-44) (Year: 2008).\*

(Continued)

*Primary Examiner* — Keli L Hill

*Assistant Examiner* — Sara S Sahneh

(74) *Attorney, Agent, or Firm* — Alan D. Kamrath; Karin L. Williams; Mayer & Williams PC

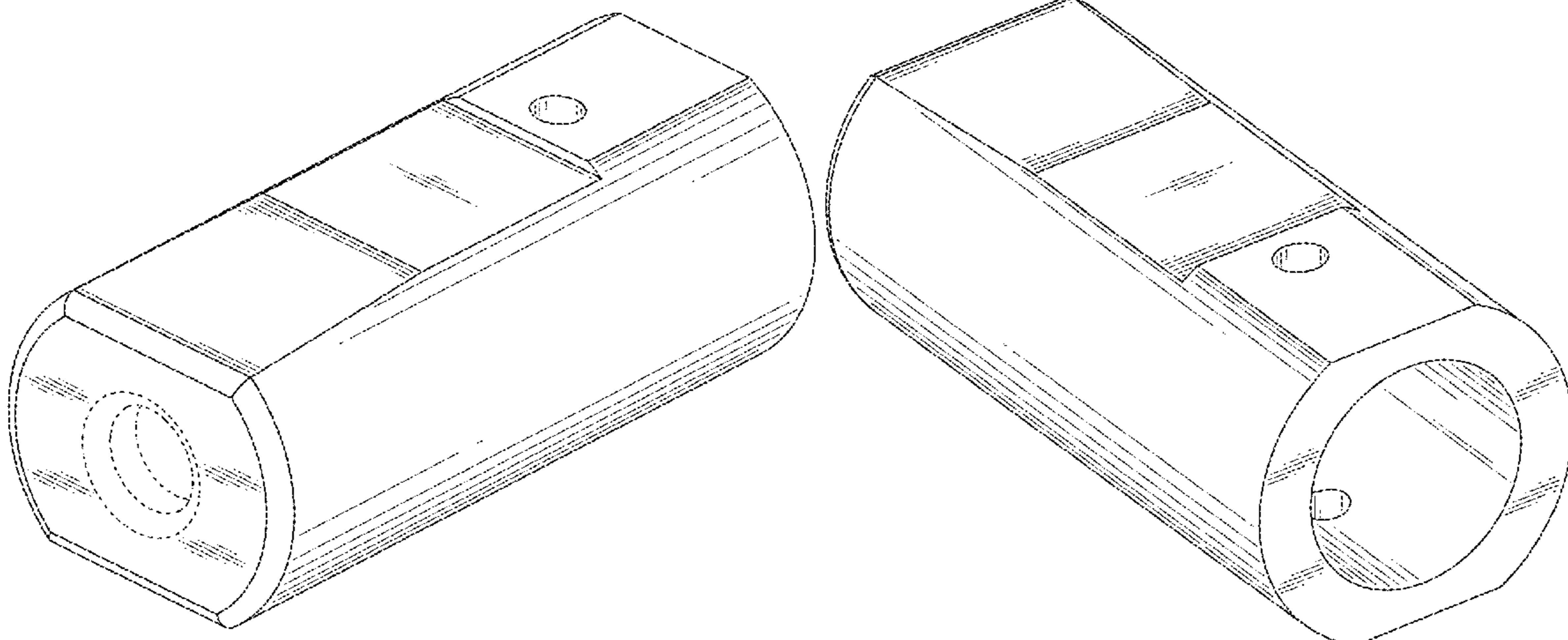
(57) **CLAIM**

The ornamental design for a latch, as shown and described.

**DESCRIPTION**

FIG. 1 is a perspective view of a latch in accordance with the design;  
FIG. 2 is a front view thereof;  
FIG. 3 is a rear view thereof;  
FIG. 4 is a left view thereof;  
FIG. 5 is a right view thereof;  
FIG. 6 is a top view thereof;  
FIG. 7 is a bottom view thereof; and,  
FIG. 8 is another perspective view thereof.  
The broken line is for illustrative purposes only and forms no part of the claimed design.

**1 Claim, 5 Drawing Sheets**



(56)

**References Cited**

U.S. PATENT DOCUMENTS

6,386,603 B1 \* 5/2002 Huang ..... E05B 9/002  
 292/337  
 6,422,049 B1 \* 7/2002 Jenks ..... E05B 5/003  
 292/336.3  
 6,832,499 B2 \* 12/2004 Stillwagon ..... E05B 5/003  
 292/336.3  
 D664,830 S \* 8/2012 Yu ..... D8/343  
 2003/0038487 A1 \* 2/2003 Wu ..... E05B 63/0017  
 292/346  
 2004/0104585 A1 \* 6/2004 Winardi ..... E05C 1/163  
 292/337  
 2004/0160070 A1 \* 8/2004 Huang ..... E05B 9/002  
 292/337  
 2005/0006911 A1 \* 1/2005 Wu ..... E05B 63/06  
 292/337  
 2005/0172687 A1 \* 8/2005 Segien ..... E05B 27/0021  
 70/493

2010/0024497 A1 \* 2/2010 Wu ..... E05B 27/083  
 70/419  
 2010/0077815 A1 \* 4/2010 Liu ..... E05B 35/00  
 70/451

FOREIGN PATENT DOCUMENTS

CN 304367239 \* 5/2017  
 CN 305857701 \* 10/2019  
 KR 300900398.0000 \* 1/2017

OTHER PUBLICATIONS

Kwikset Store, Adjustable Deadlatch in Polished Brass, Date first available Apr. 1, 2004, [online]retrieved May 4, 2021, available from [https://www.amazon.com/Kwikset-81846-Adjustable-Deadlatch-Polished/dp/B000BO6SDI/ref=pd\\_di\\_sccai\\_27?pd\\_rd\\_w=6fXBL&pf\\_rd\\_p=c9443270-b](https://www.amazon.com/Kwikset-81846-Adjustable-Deadlatch-Polished/dp/B000BO6SDI/ref=pd_di_sccai_27?pd_rd_w=6fXBL&pf_rd_p=c9443270-b) (Year: 2004).\*

\* cited by examiner

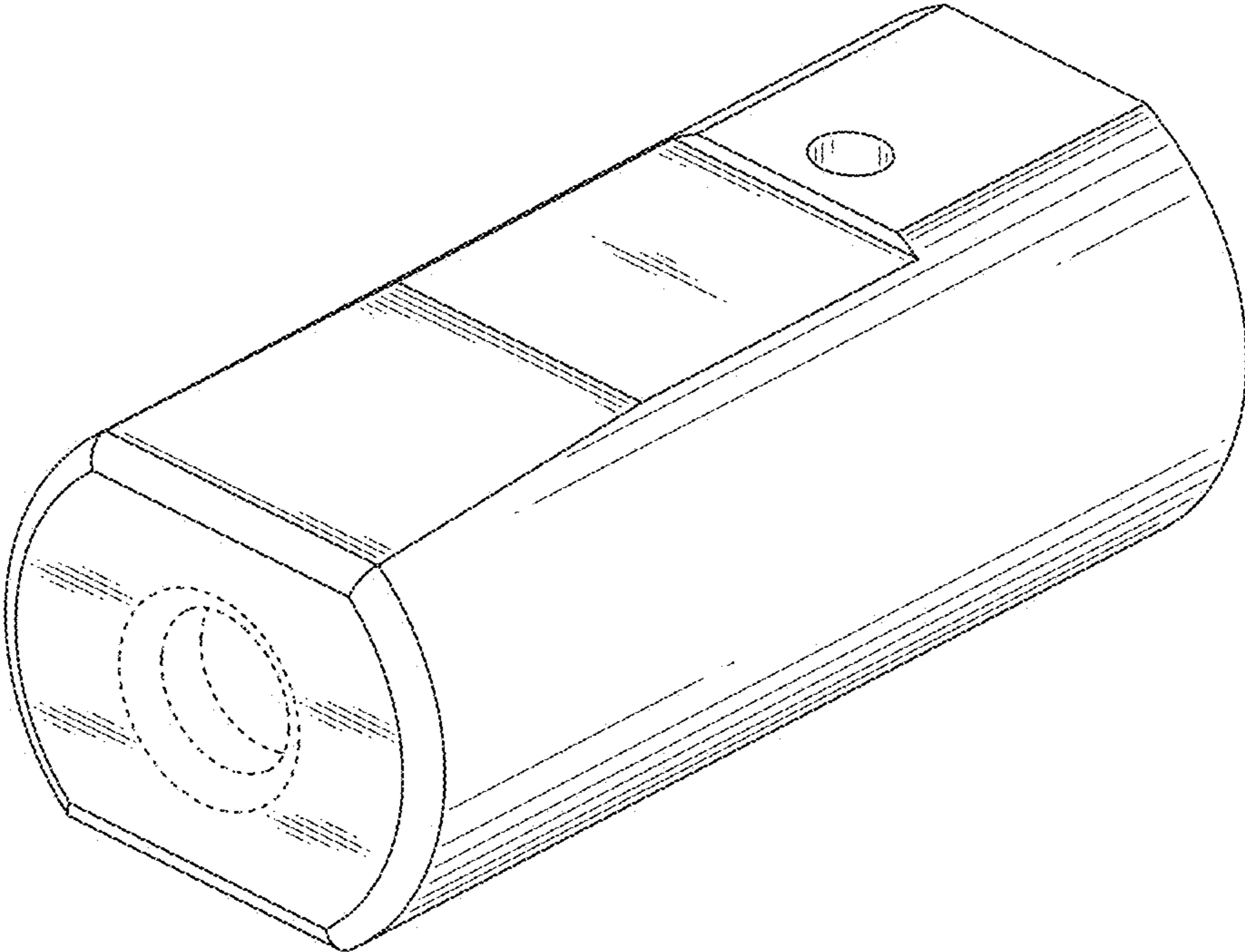


FIG. 1

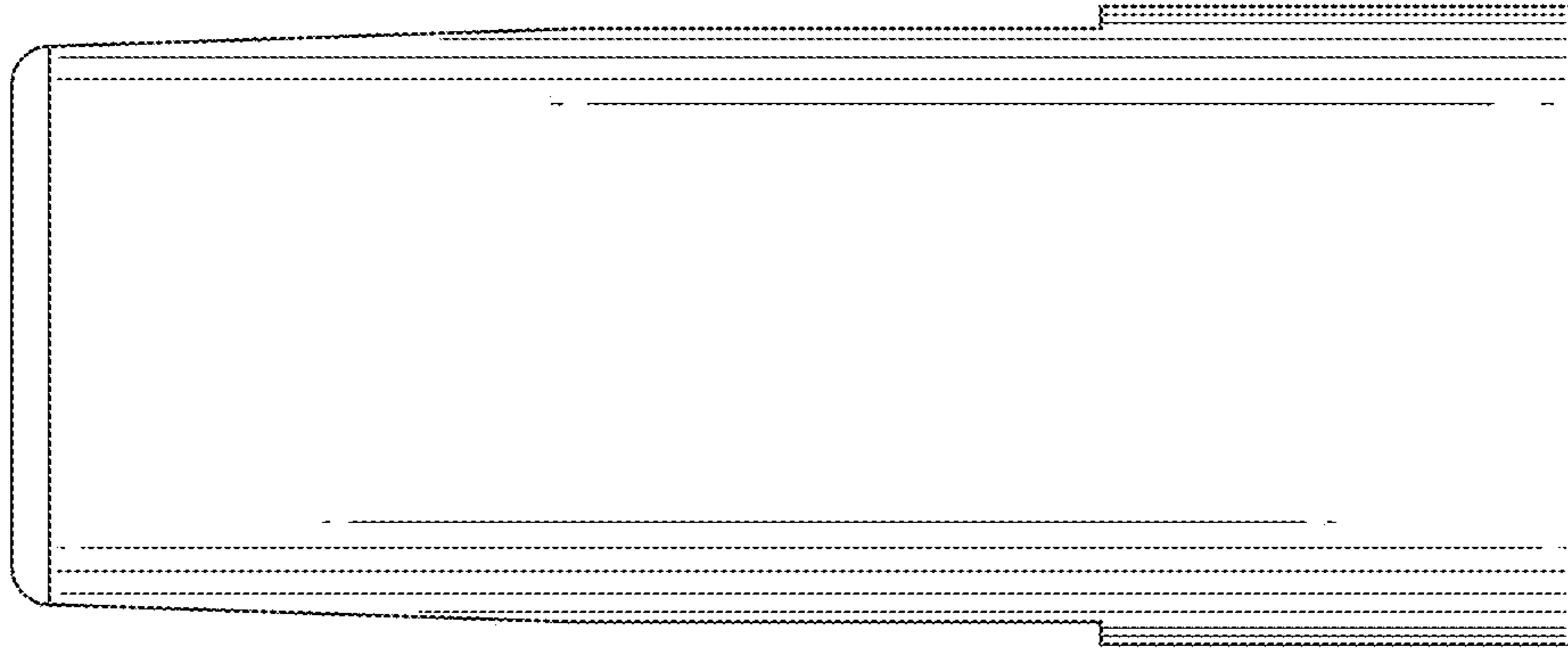


FIG. 2

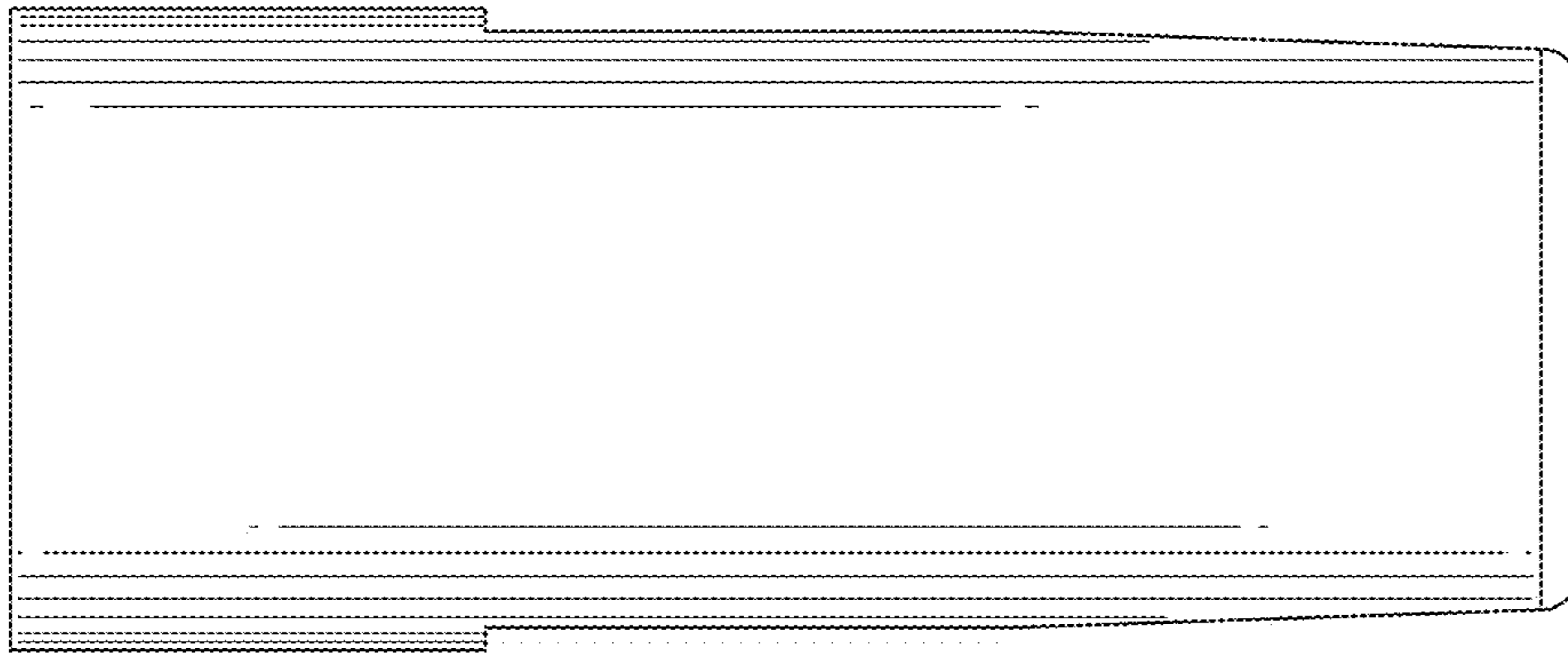


FIG. 3

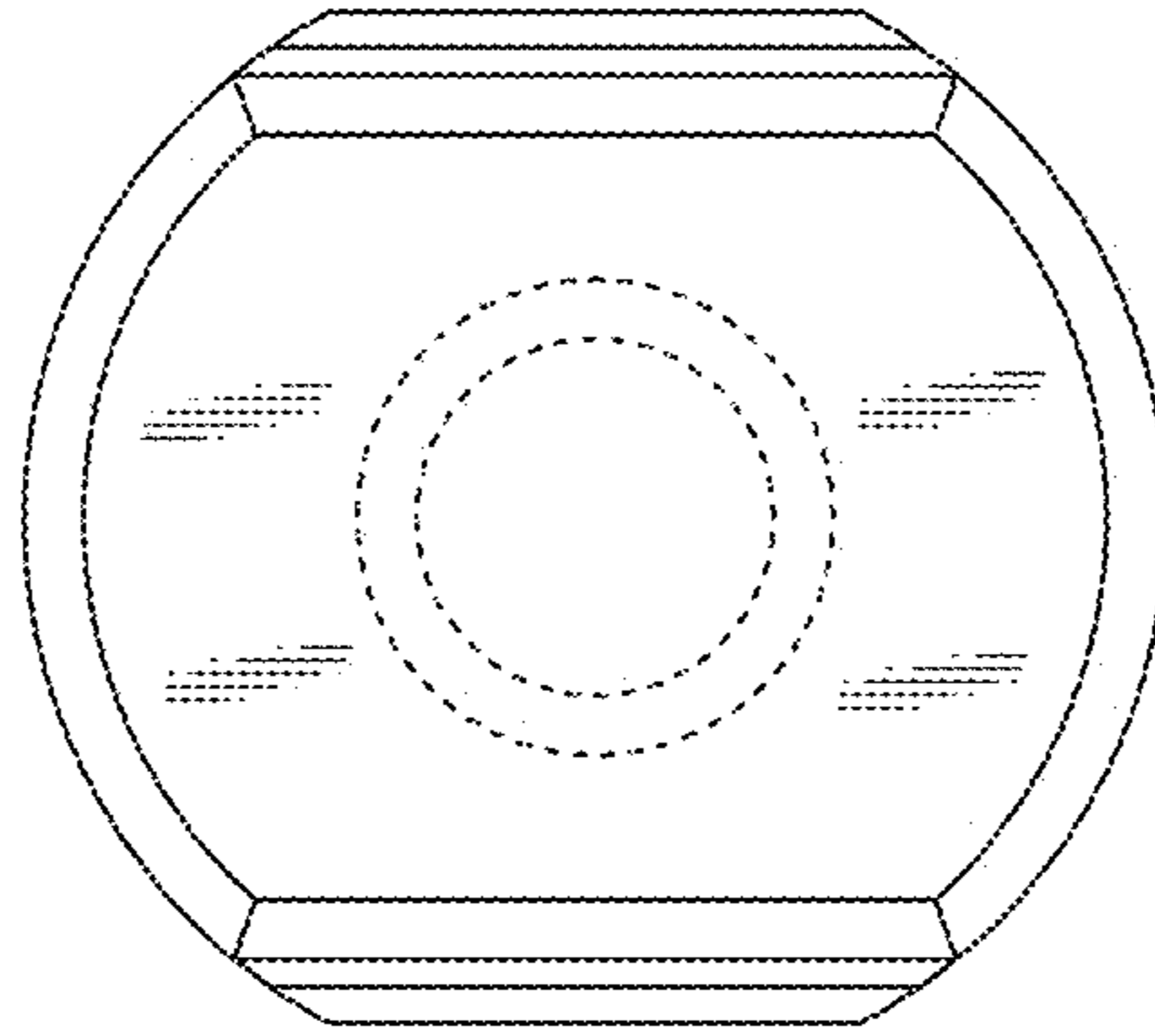


FIG. 4

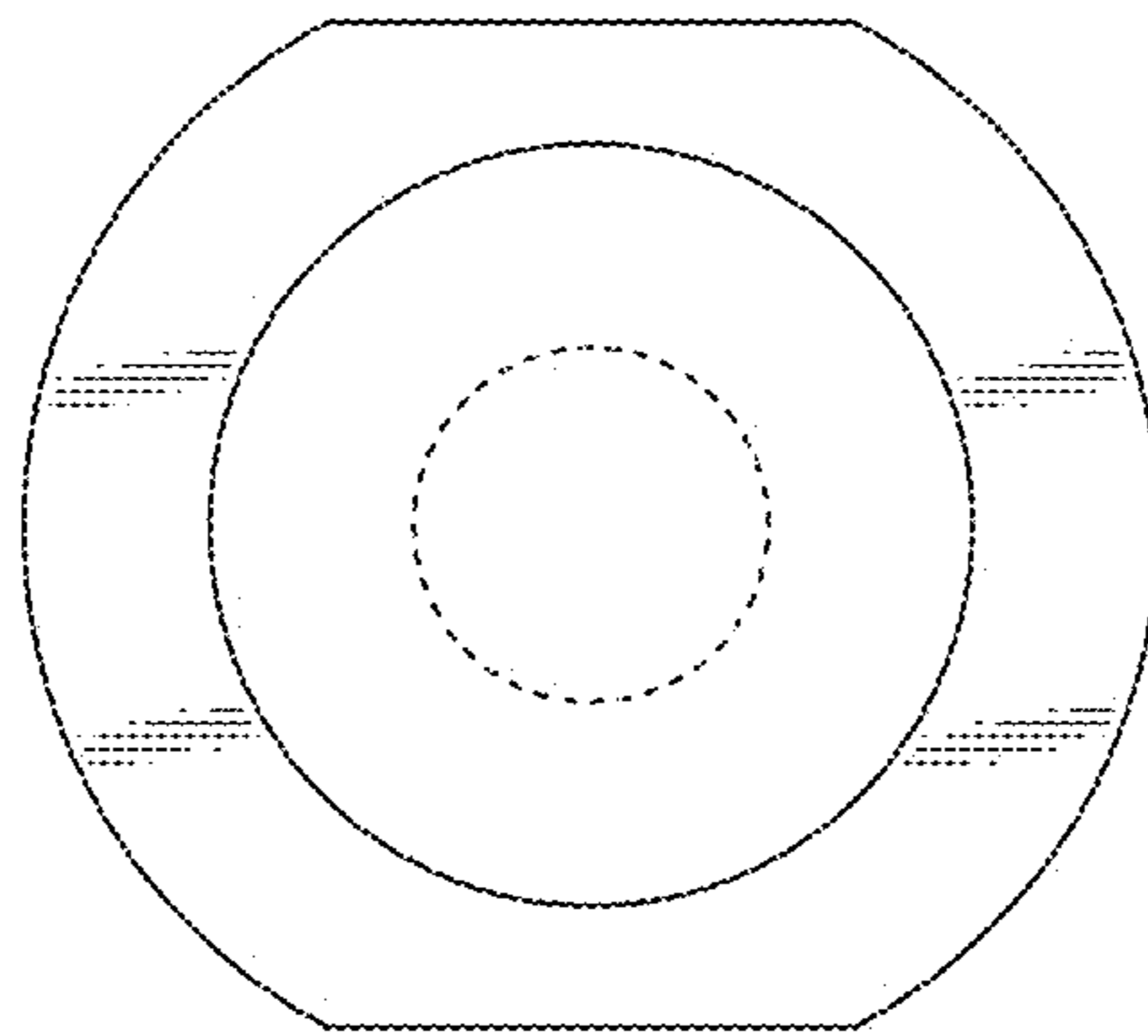


FIG. 5

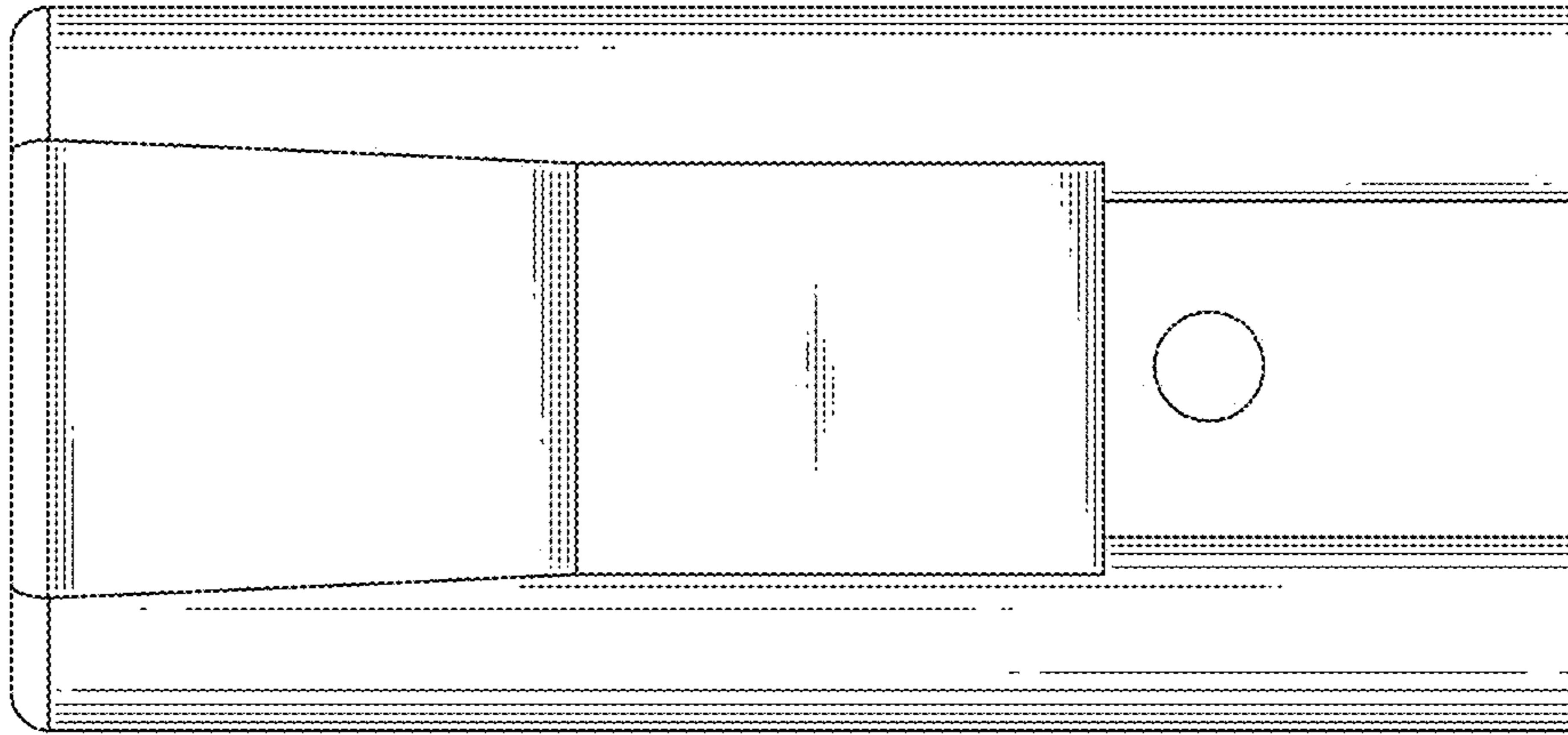


FIG. 6

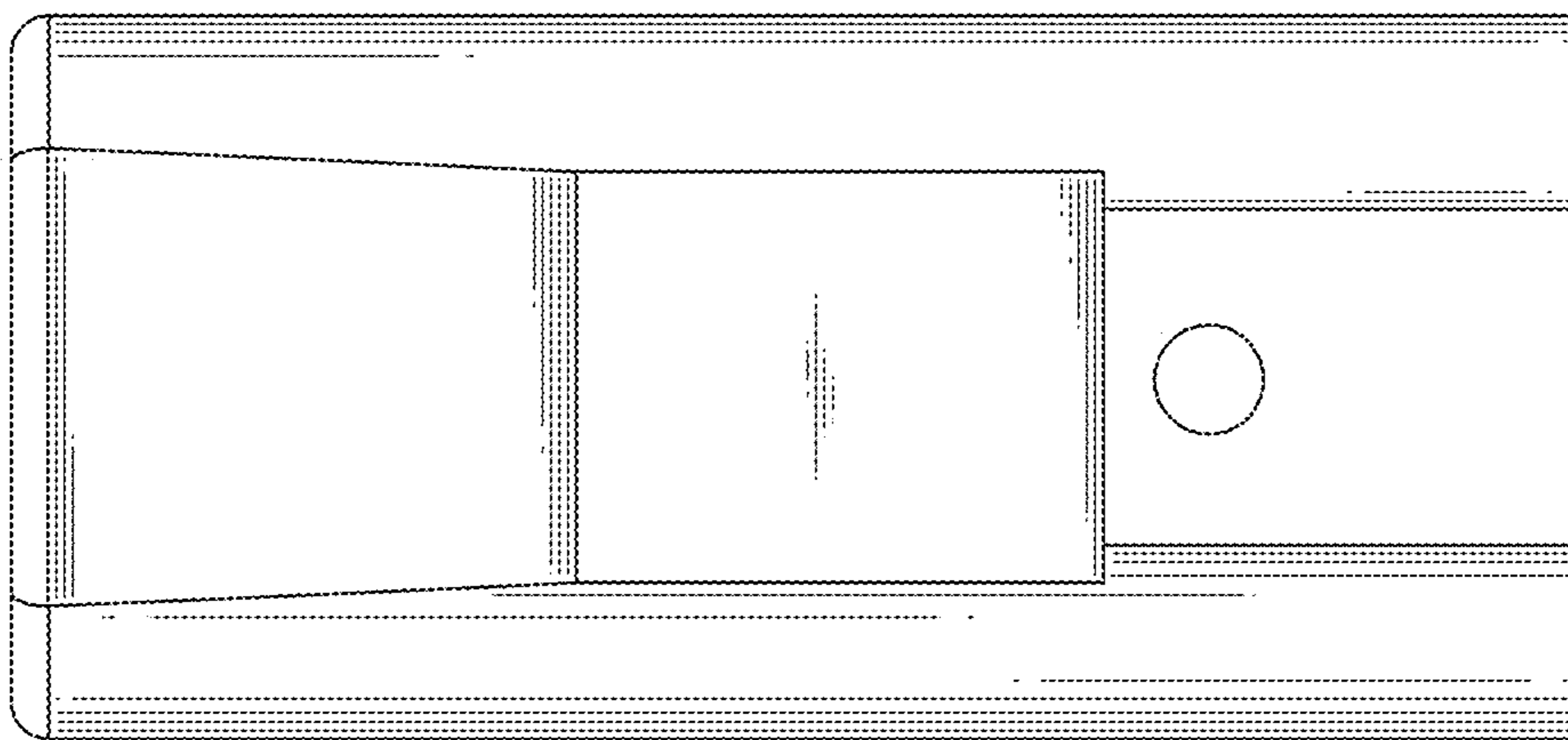


FIG. 7

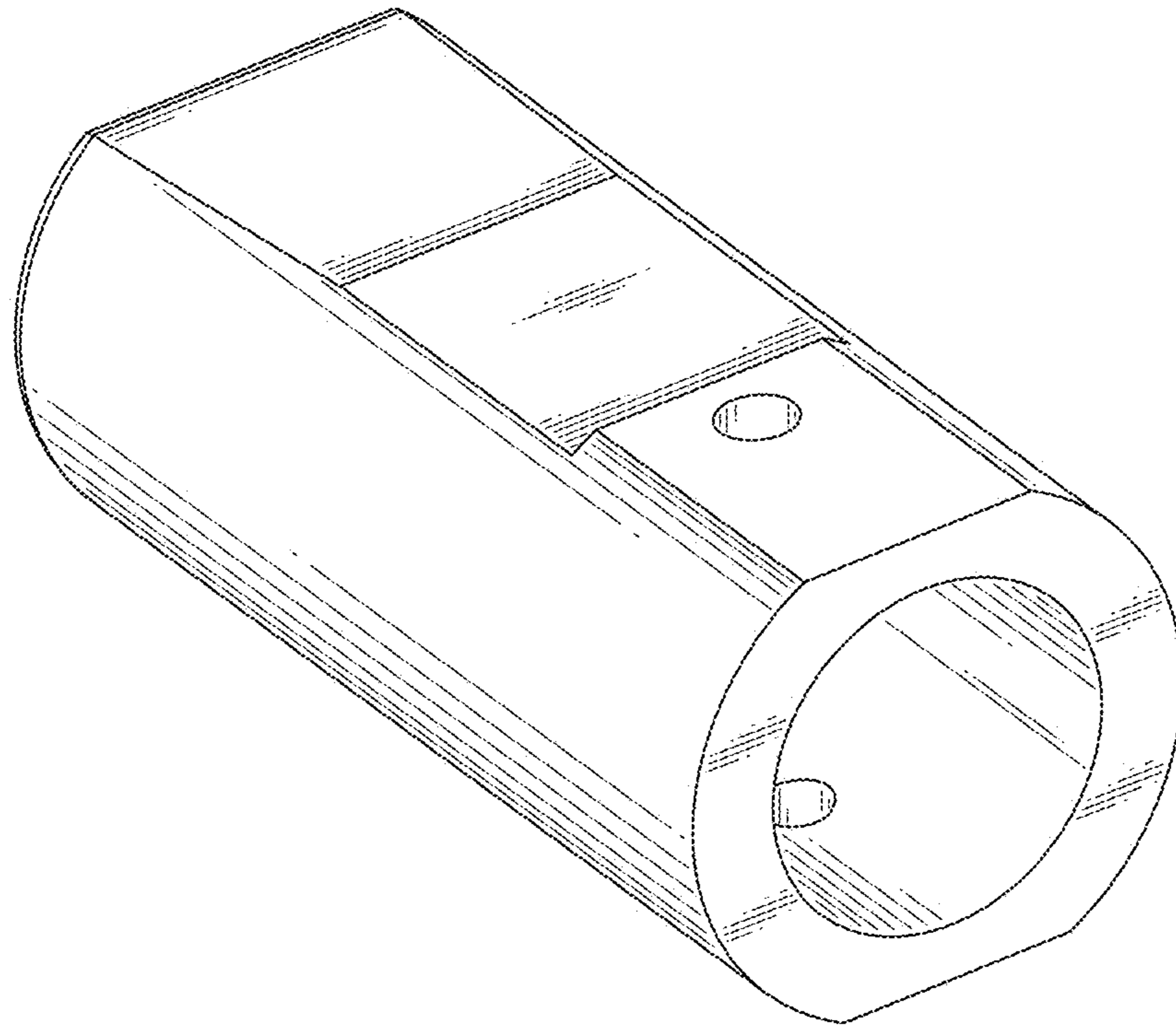


FIG. 8