



US00D925330S

(12) **United States Design Patent** (10) **Patent No.:** **US D925,330 S**
Leimkuehler et al. (45) **Date of Patent:** **** Jul. 20, 2021**

(54) **HINGE**

(71) Applicant: **Meso Scale Technologies, LLC.**,
Rockville, MD (US)
(72) Inventors: **Aaron Leimkuehler**, Upper St. Clair,
PA (US); **Rodger Darin Osborne**,
Stuart, FL (US); **Jacob N. Wohlstadter**,
Potomac, MD (US)

(73) Assignee: **Meso Scale Technologies, LLC.**,
Rockville, MD (US)

(**) Term: **15 Years**

(21) Appl. No.: **29/707,949**

(22) Filed: **Oct. 2, 2019**

Related U.S. Application Data

(63) Continuation-in-part of application No. 29/688,495,
filed on Apr. 22, 2019, which is a continuation-in-part
of application No. 29/661,732, filed on Aug. 30, 2018,
and a continuation-in-part of application No.
29/661,728, filed on Aug. 30, 2018, which is a
continuation-in-part of application No. 29/577,664,
filed on Sep. 14, 2016, now Pat. No. Des. 829,336,
which is a continuation-in-part of application No.
29/577,664, filed on Sep. 14, 2016, now Pat. No. Des.
829,336, which is a continuation-in-part of
application No. 29/571,993, filed on Jul. 22, 2016,
now abandoned, which is a continuation-in-part of
application No. 29/558,583, filed on Mar. 18, 2016,
(Continued)

(51) **LOC (13) Cl.** **08-06**

(52) **U.S. Cl.**
USPC **D8/323**

(58) **Field of Classification Search**
USPC D8/323, 328
CPC .. E05D 1/00; E05D 11/06; E05D 5/11; E05D
3/02; A47K 13/12
See application file for complete search history.

(56) **References Cited**

U.S. PATENT DOCUMENTS

3,538,539 A * 11/1970 Allison E05D 11/06
16/375
5,265,922 A * 11/1993 Falcone E05C 17/025
16/375

(Continued)

FOREIGN PATENT DOCUMENTS

EM 003382670 11/2016
JP D1596057 1/2018

OTHER PUBLICATIONS

Taiwanese Search Report dated Feb. 15, 2020 received in Taiwanese
Design Patent Application No. 108306569, together with an English-
language translation.

(Continued)

Primary Examiner — Cynthia R Underwood
(74) *Attorney, Agent, or Firm* — Scully, Scott, Murphy &
Presser, P.C.

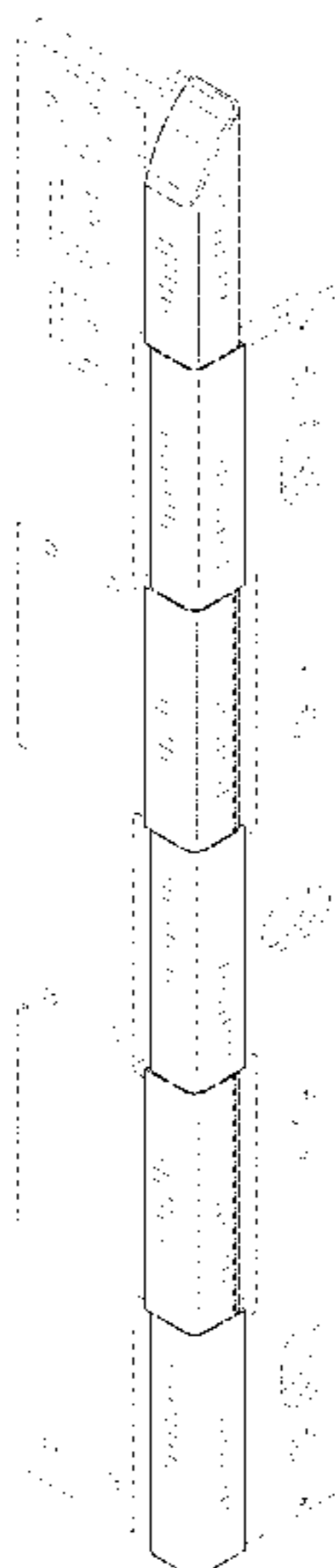
(57) **CLAIM**

The ornamental design for a hinge, as shown and described.

DESCRIPTION

FIG. 1 is a front perspective view of a hinge showing our
new design;
FIG. 2 is a back perspective view of thereof;
FIG. 3 is a front view thereof;
FIG. 4 is a back view thereof;
FIG. 5 is a side view thereof;
FIG. 6 is an alternate side view thereof;
FIG. 7 is a top view thereof; and,
FIG. 8 is a bottom view thereof.
The broken lines depict portions of the hinge which form no
part of the claim.

1 Claim, 4 Drawing Sheets



Related U.S. Application Data

now abandoned, which is a continuation-in-part of application No. 29/533,960, filed on Jul. 23, 2015, now abandoned.

2012/0240354	A1*	9/2012	Heninger	E05D 5/10 16/374
2013/0104345	A1*	5/2013	Cranberry	E05D 11/06 16/374
2013/0219664	A1*	8/2013	Burda	E05D 11/06 16/374

(56)

References Cited

U.S. PATENT DOCUMENTS

5,311,644	A *	5/1994	Laforgerie	E05D 11/1071 16/250
5,727,289	A *	3/1998	Reder	E05F 5/06 16/375
5,799,370	A *	9/1998	Davidian	E05D 7/0415 16/236
6,353,967	B1 *	3/2002	Escobar	E05D 3/02 16/331
8,099,834	B2 *	1/2012	Corso	E05D 5/12 16/342
9,416,572	B2 *	8/2016	Tolliver	E05D 5/10
D816,460	S *	5/2018	Branning	D8/328
D829,336	S	9/2018	Wohlstadter et al.		
D837,027	S *	1/2019	Christensen	D8/323
2009/0151124	A1 *	6/2009	Forrest	E05D 5/14 16/374

OTHER PUBLICATIONS

Taiwanese Allowance Decision of Examination dated Mar. 13, 2020 received in Taiwanese Design Patent Application No. 108306569, together with an English-language translation.

Korean Office Actions dated Dec. 1, 2020 received in Korean Application No. 30-2020-0014758, together with an English-language translations.

Israeli Office Action dated Jan. 13, 2021 received in Israeli Application No. 64291, together with an English-language translation.

Israeli Office Action dated Jan. 13, 2021 received in Israeli Application No. 66233, together with an English-language translation.

Japanese Office Action dated May 18, 2021 received in Japanese Application No. 2020-023518, together with an English-language translation.

Japanese Office Action dated May 18, 2021 received in Japanese Application No. 2020-006946, together with an English-language translation.

* cited by examiner

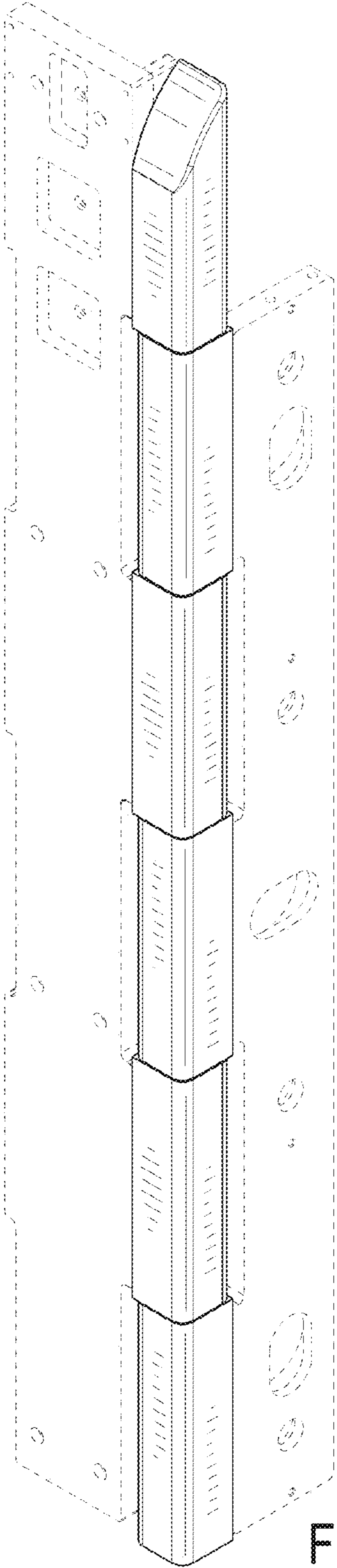


FIG. 1

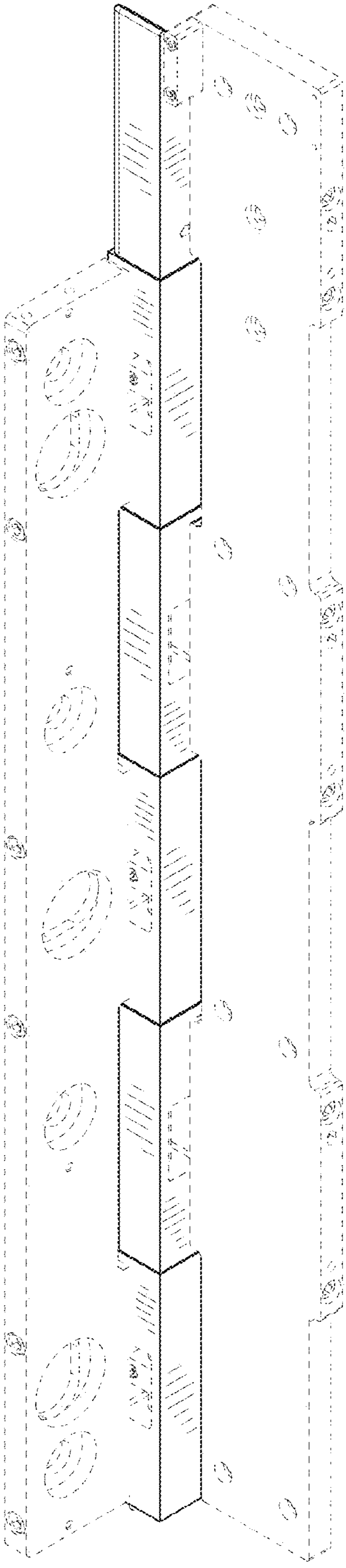


FIG. 2

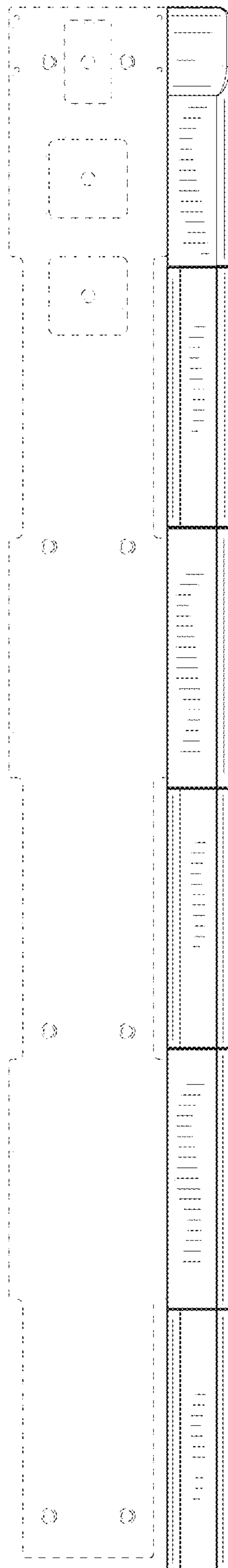


FIG. 3

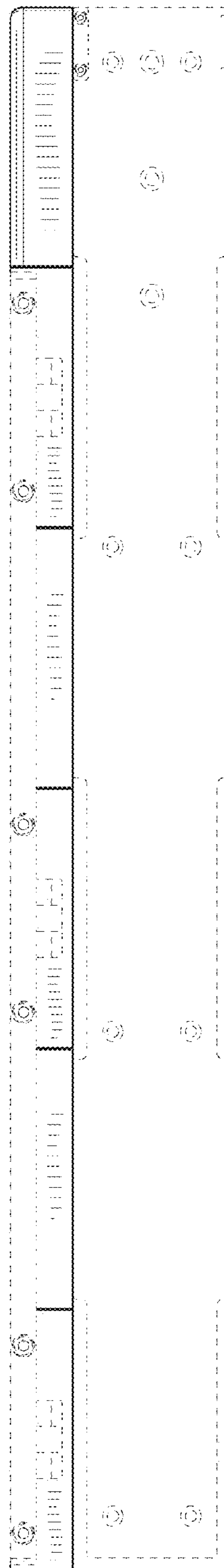


FIG. 4

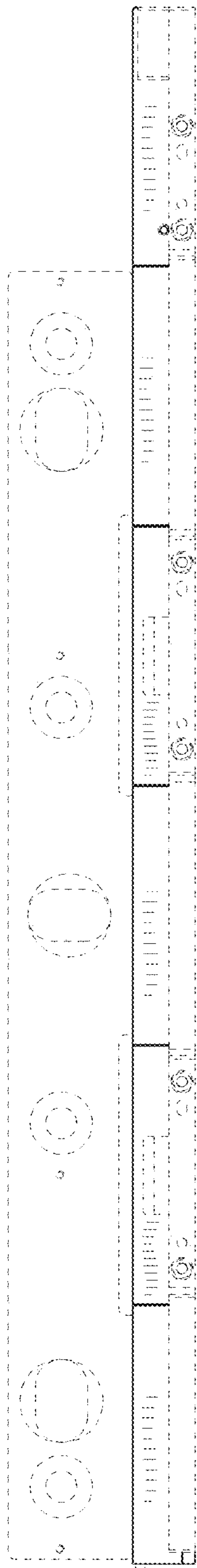


FIG. 5

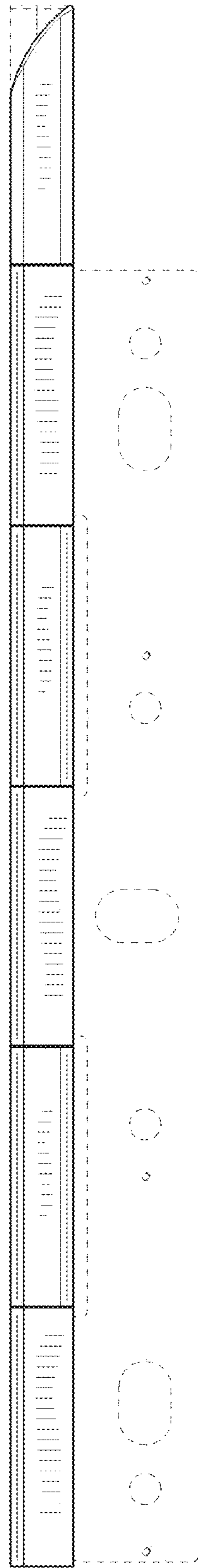


FIG. 6

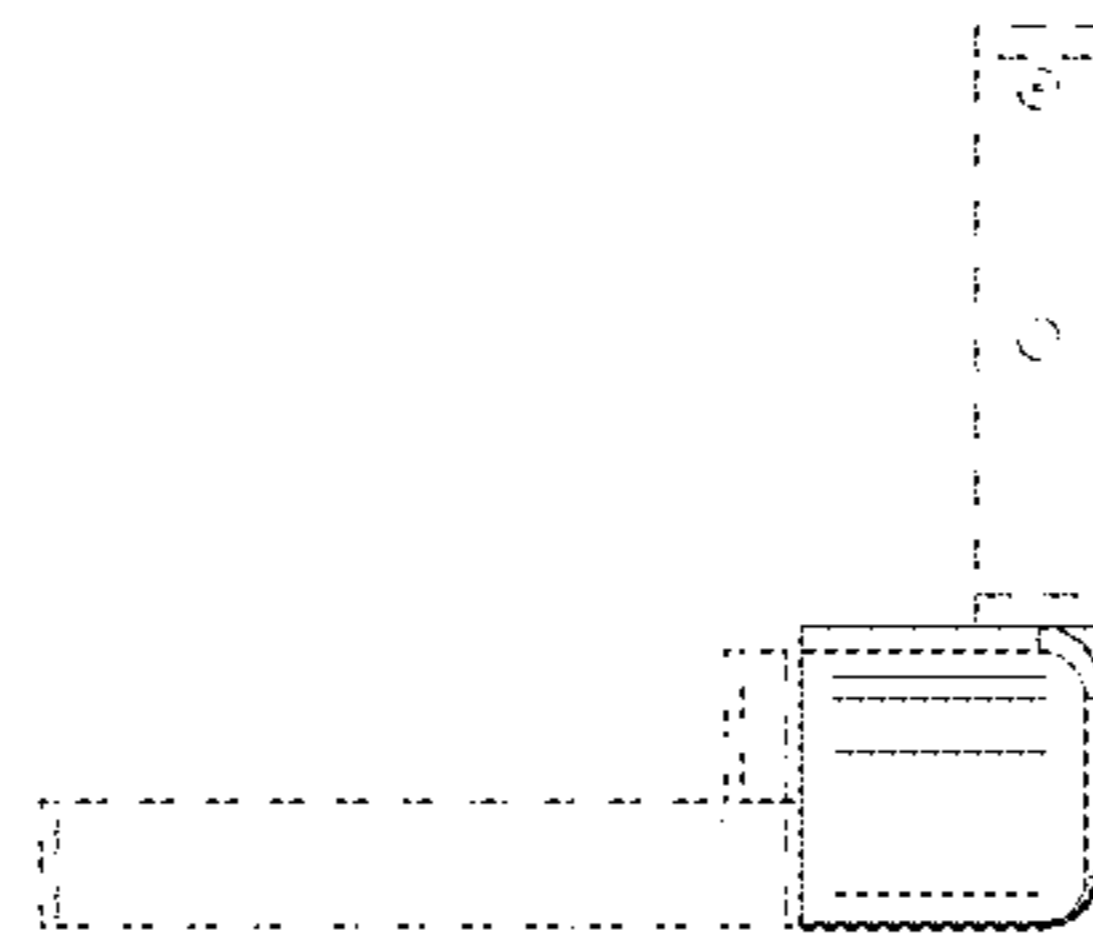


FIG. 7

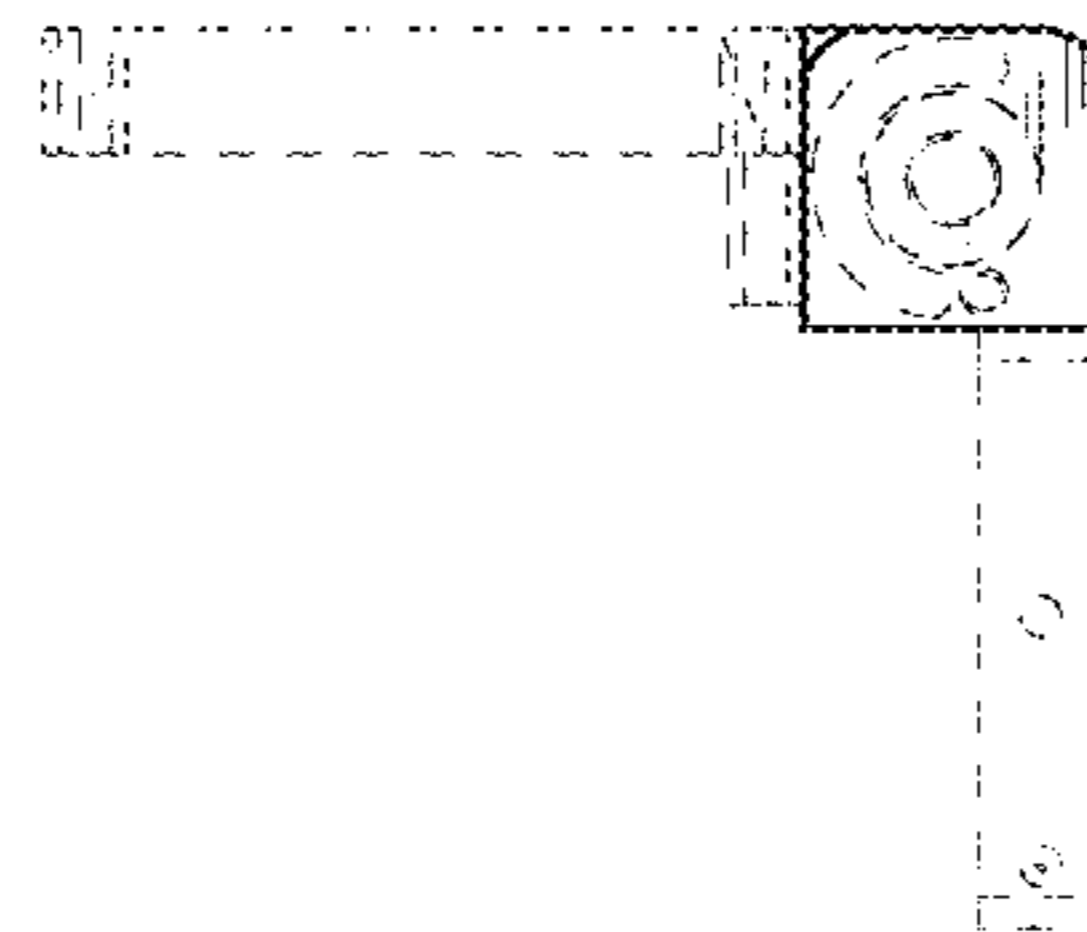


FIG. 8