



US00D925329S

(12) **United States Design Patent** (10) **Patent No.:** **US D925,329 S**
Spurrier et al. (45) **Date of Patent:** **** Jul. 20, 2021**

(54) **HANDLE**

(71) Applicant: **Electrolux Home Products, Inc.**,
Charlotte, NC (US)

(72) Inventors: **Alexander Paul Spurrier**, Charlotte,
NC (US); **Christopher Shaw Burch**,
Portland, OR (US)

(73) Assignee: **Electrolux Home Products, Inc.**,
Charlotte, NC (US)

(**) Term: **15 Years**

(21) Appl. No.: **29/712,741**

(22) Filed: **Nov. 11, 2019**

(51) **LOC (13) Cl.** **08-06**

(52) **U.S. Cl.**
USPC **D8/316**

(58) **Field of Classification Search**

USPC D32/1-3, 6, 25, 28, 29, 34, 24; D23/226,
D23/255, 271, 259-260, 268, 381;
312/109, 237 A; 134/56 R, 57 R, 57 D,
134/57 DL, 56 D, 58 R, 58 D, 58 DL,
134/25.2, 184; 68/3 R, 13 R, 27-28,
68/213-214, 232; D8/300-303, 315-317;
D15/89, 79; D6/327, 513, 522-523,
D6/545-546, 571; D7/331-332,
D7/338-340, 348-350.1, 351, 354, 393,
D7/405; 16/436

CPC ... Y10T 16/4576; Y10T 16/501; Y10T 16/86;
Y10T 16/469; Y10T 16/44; Y10T 16/458;
Y10T 16/498; Y10T 16/476; Y10T
16/459; Y10T 16/466; Y10T 16/4713;
Y10T 16/4644; Y10T 16/513; Y10T
16/509; Y10T 16/473; Y10T 16/462

See application file for complete search history.

(56) **References Cited**

U.S. PATENT DOCUMENTS

D266,122 S * 9/1982 Haug D8/316
D554,972 S * 11/2007 Pezzetta D8/319

(Continued)

Primary Examiner — Janice Hallmark

Assistant Examiner — Harold E Blackwell, II

(74) *Attorney, Agent, or Firm* — Banner & Witcoff, Ltd.

(57) **CLAIM**

The ornamental design for a handle, as shown and described.

DESCRIPTION

FIG. 1 is a front perspective view of a handle showing our new design;

FIG. 2 is a front view thereof;

FIG. 3 is a rear view thereof;

FIG. 4 is a right side view thereof;

FIG. 5 is a left side view thereof;

FIG. 6 is a top view thereof;

FIG. 7 is a bottom view thereof;

FIG. 8 is a front perspective view of the handle of FIG. 1, shown in an exemplary environment of use;

FIG. 9 is a front perspective view of an alternative embodiment of the handle showing our new design;

FIG. 10 is a front view thereof;

FIG. 11 is a right side view thereof;

FIG. 12 is a left side view thereof;

FIG. 13 is a top view thereof;

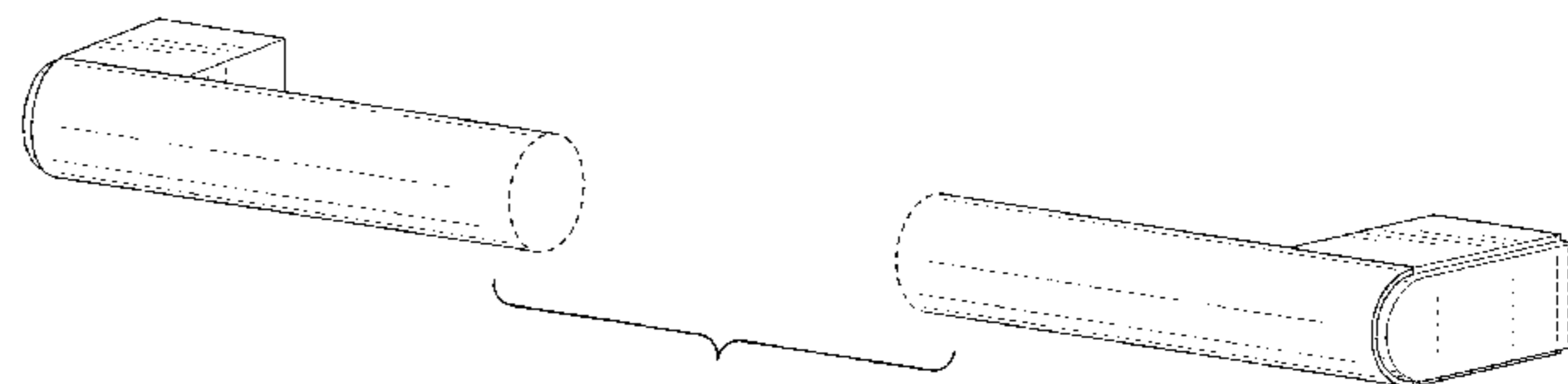
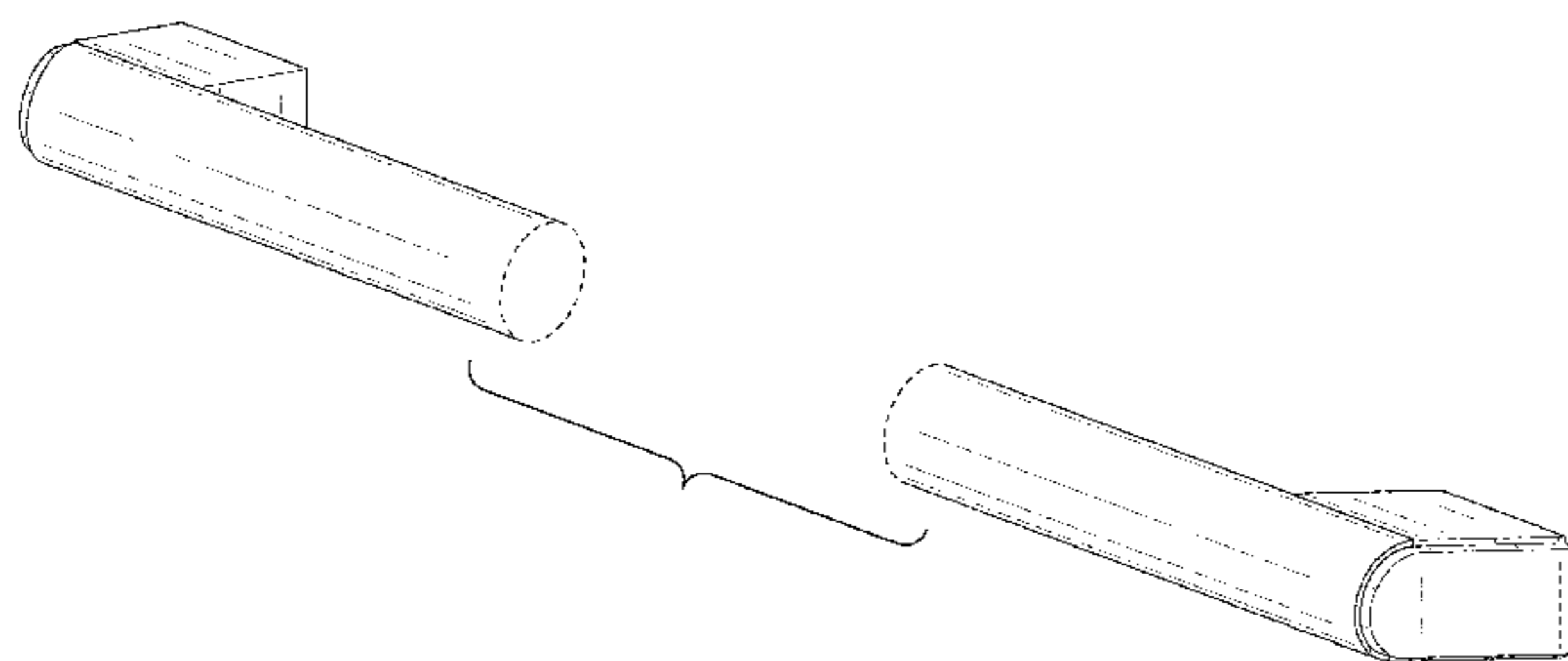
FIG. 14 is a bottom view thereof;

FIG. 15 is a rear view thereof; and,

FIG. 16 is a front perspective view of the handle of FIG. 9, shown in an exemplary environment of use.

The handle is shown with a symbolic break in its length. The appearance of any portion of the handle between the break lines indicated by brackets forms no part of the claimed design. The broken lines in FIG. 8 and FIG. 16 depict environmental subject matter and form no part of the claimed design. All other broken lines illustrate portions of the handle that form no part of the claimed design.

1 Claim, 10 Drawing Sheets



(56)

References Cited

U.S. PATENT DOCUMENTS

| | | | | |
|--------------|------|---------|-------------------|--------------------------|
| D562,361 | S * | 2/2008 | Kwak | D15/89 |
| D568,100 | S * | 5/2008 | Jeon | D7/402 |
| D572,109 | S * | 7/2008 | Busalt | D8/316 |
| D572,110 | S * | 7/2008 | Busalt | D8/316 |
| D572,111 | S * | 7/2008 | Busalt | D8/316 |
| D577,567 | S * | 9/2008 | Crookshanks | D8/316 |
| D654,311 | S * | 2/2012 | Benold | D7/402 |
| D736,055 | S * | 8/2015 | Funnell, II | D8/319 |
| D745,362 | S * | 12/2015 | Grasselli | D8/315 |
| D749,393 | S * | 2/2016 | Lee | D8/316 |
| D758,827 | S * | 6/2016 | Grasselli | D8/315 |
| D763,654 | S * | 8/2016 | Chung | D8/315 |
| D764,230 | S * | 8/2016 | Shoemaker | D7/405 |
| D764,890 | S * | 8/2016 | Shoemaker | D8/315 |
| D781,641 | S * | 3/2017 | Incukur | D7/393 |
| D781,642 | S * | 3/2017 | Incukur | D7/393 |
| D867,852 | S * | 11/2019 | Chellappan | D8/315 |
| 2003/0056334 | A1 * | 3/2003 | Finkelstein | F24C 15/024 16/436 |
| 2006/0032023 | A1 * | 2/2006 | Moon | E05B 1/0015 16/436 |
| 2014/0304944 | A1 * | 10/2014 | Carr | A47L 15/4257 16/110.1 |

* cited by examiner

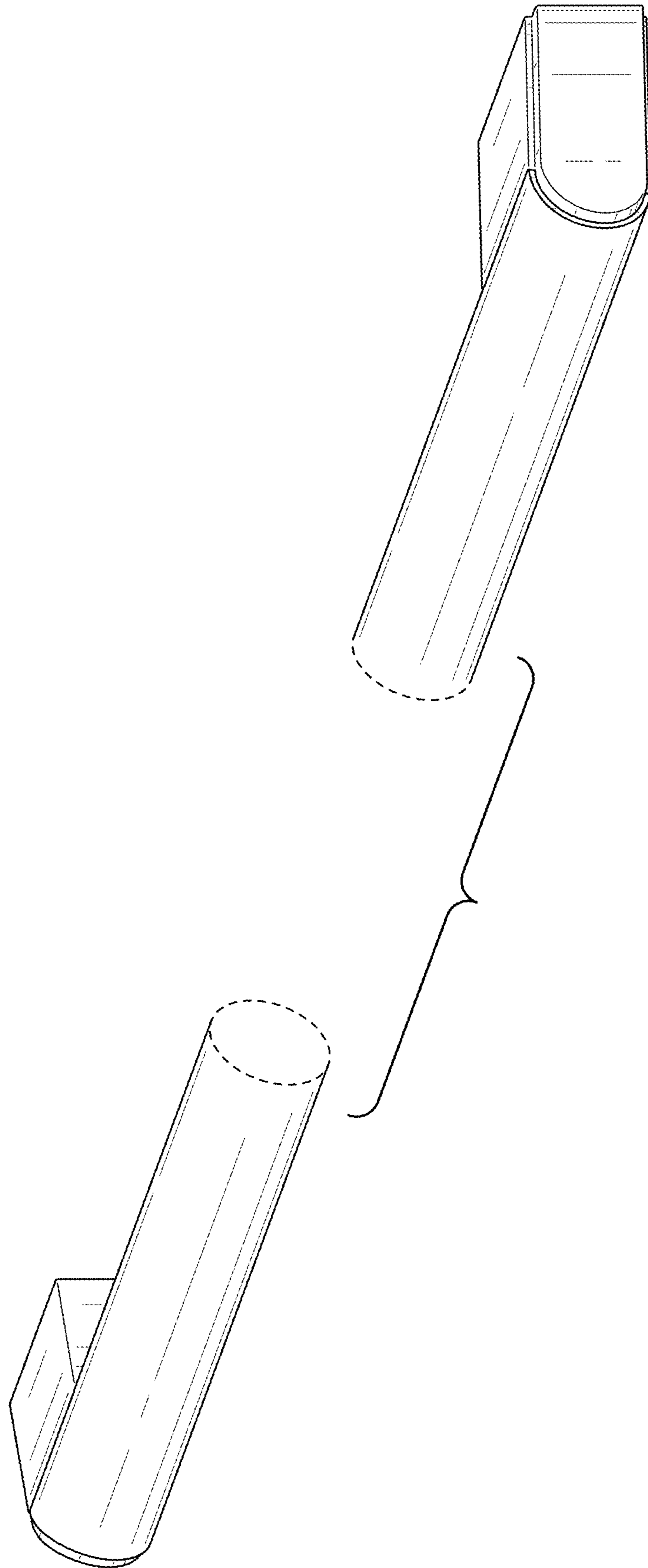


FIG. 1

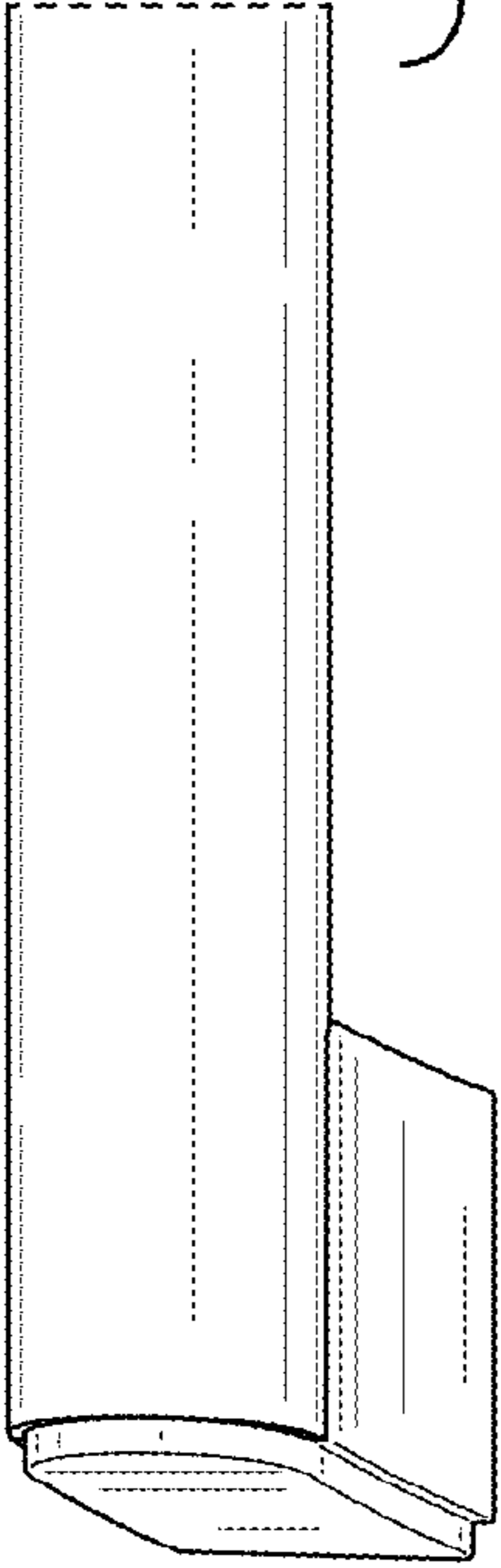
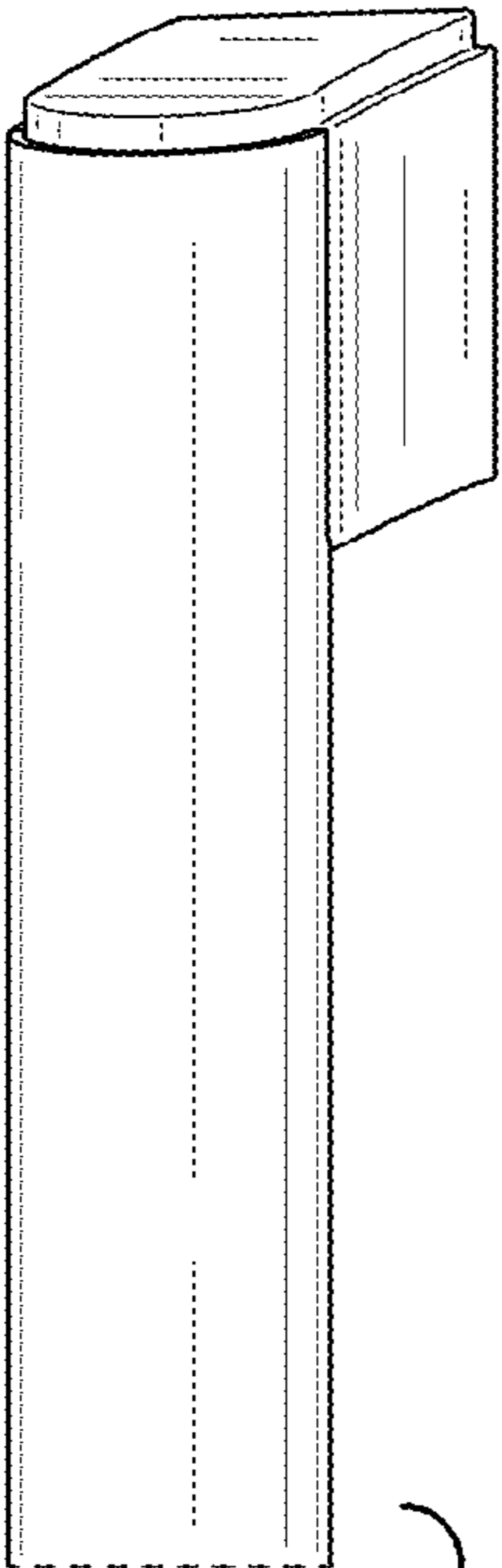


FIG. 2

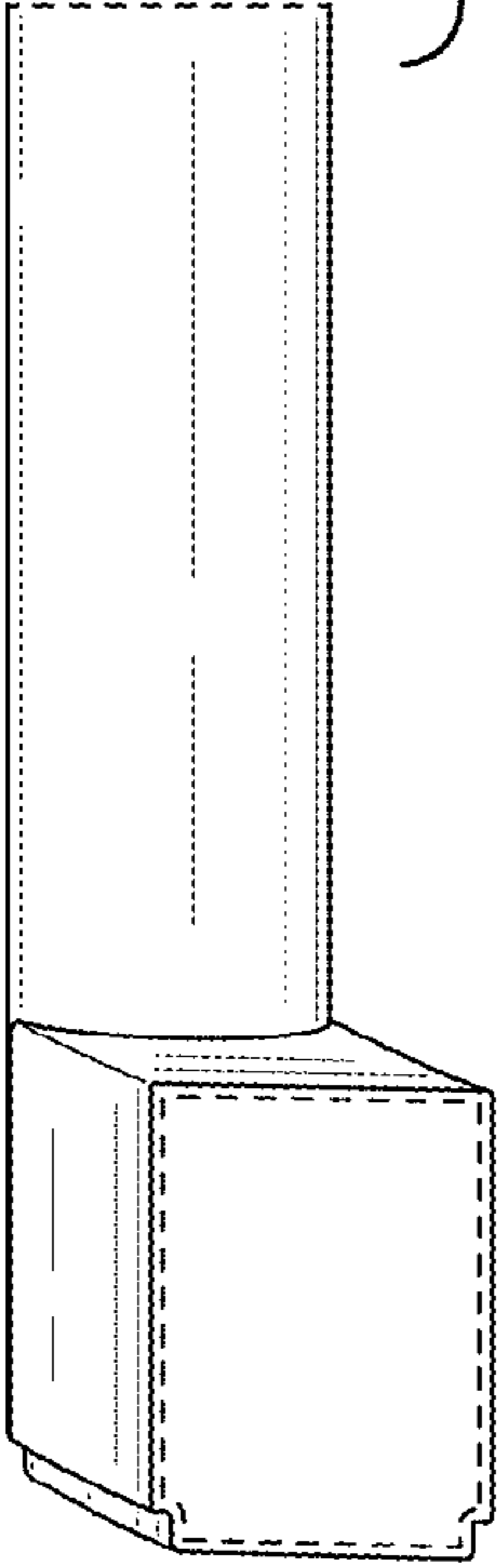
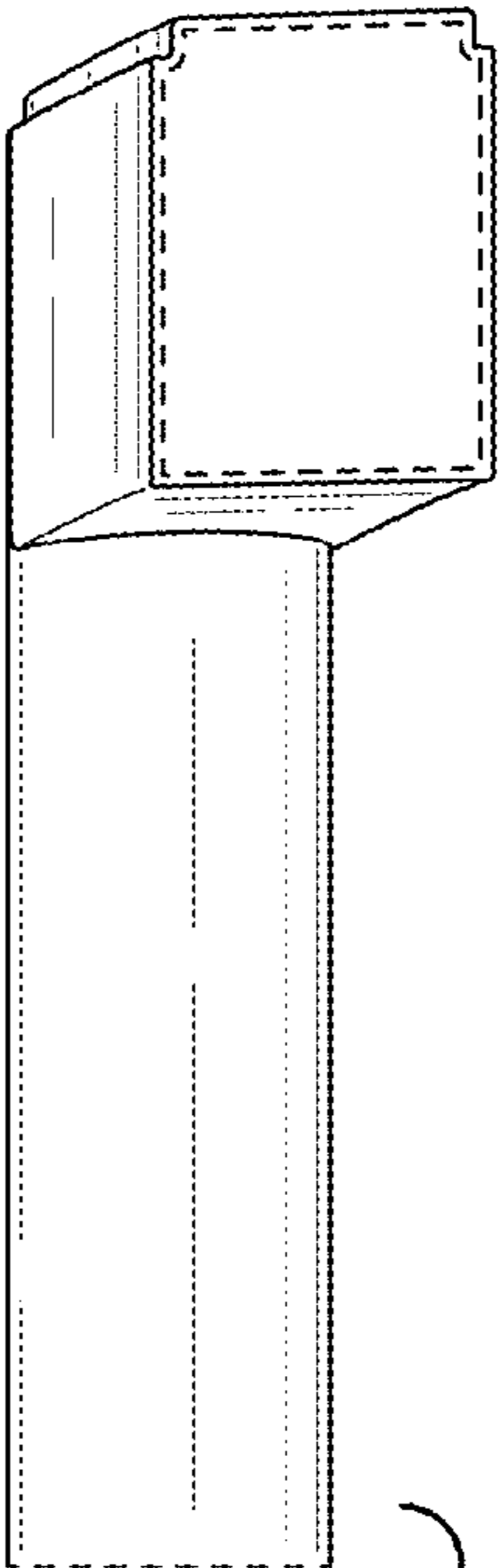


FIG. 3

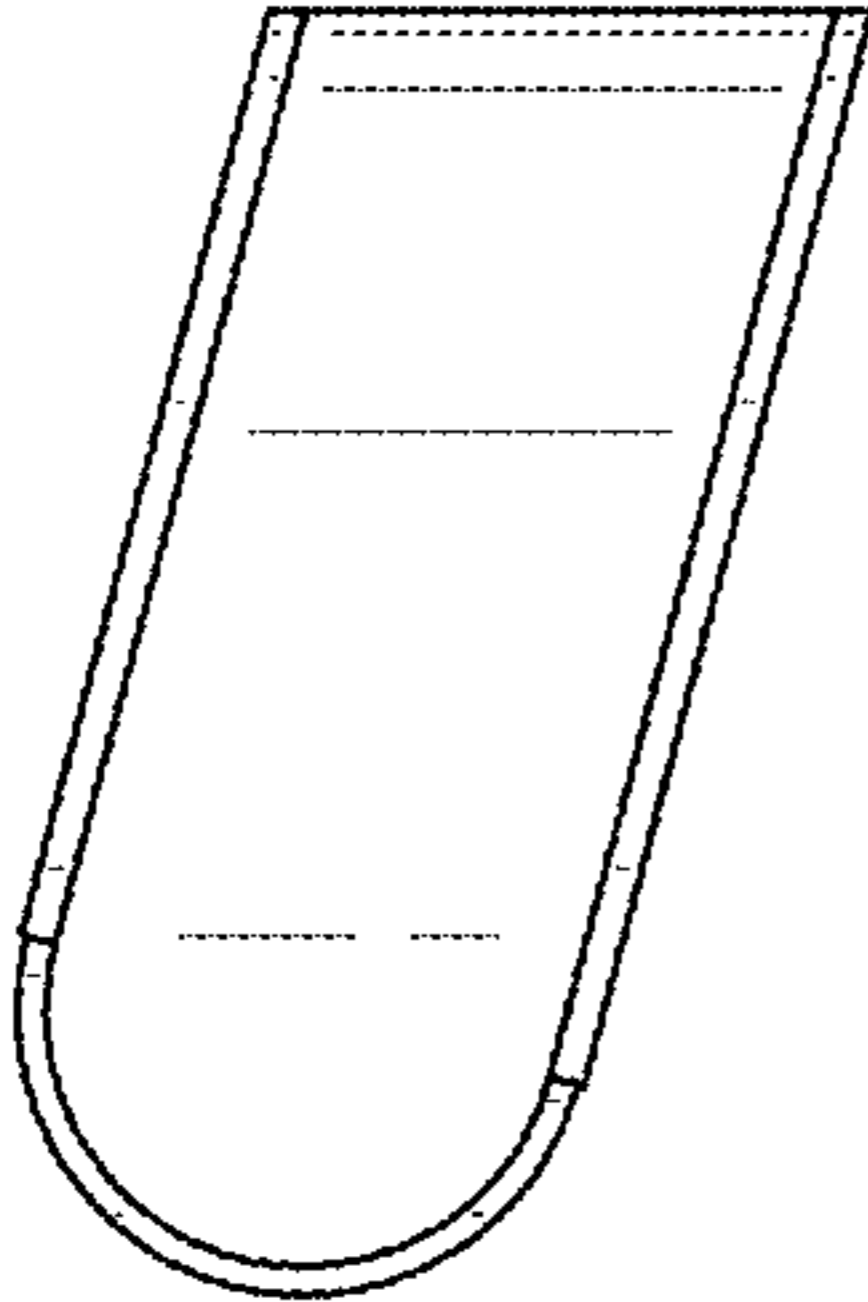


FIG. 4

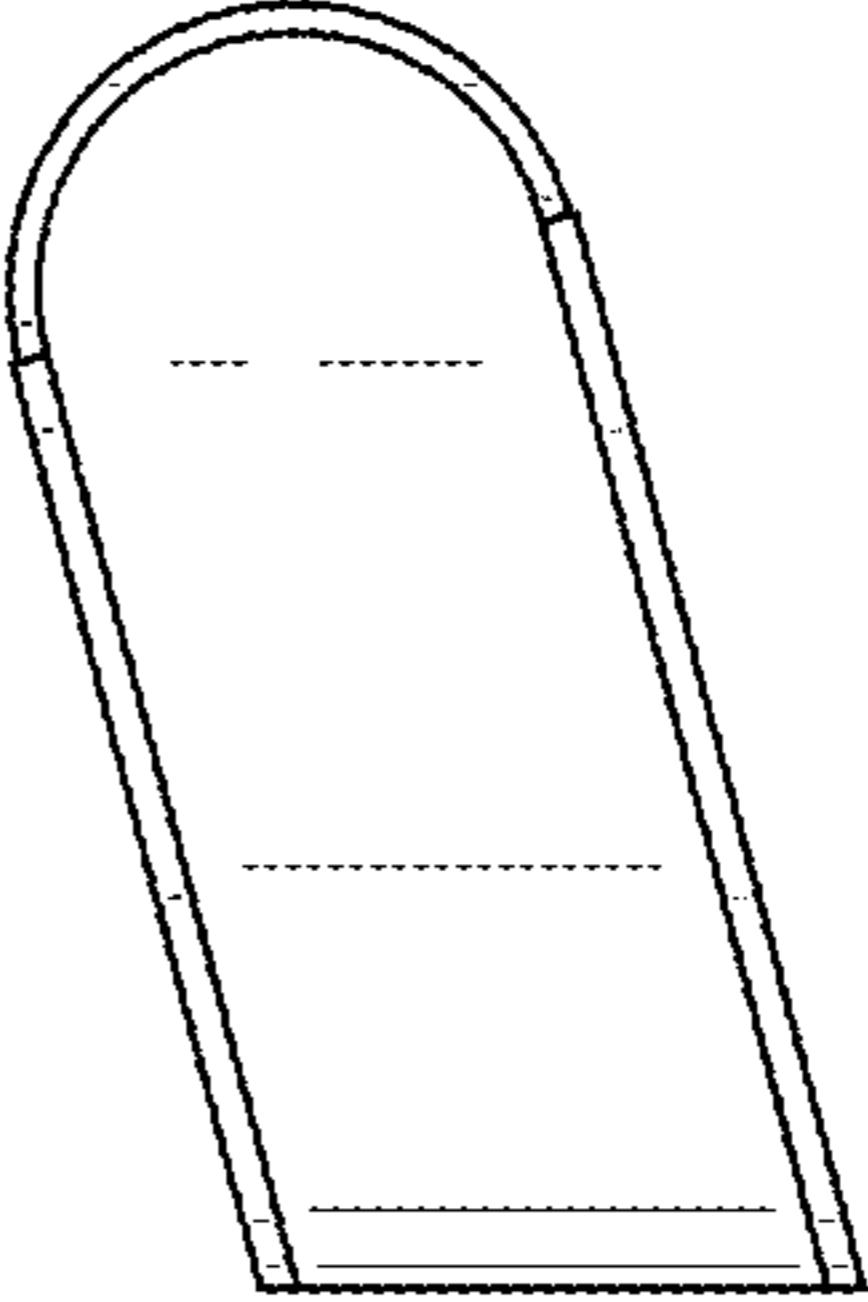


FIG. 5

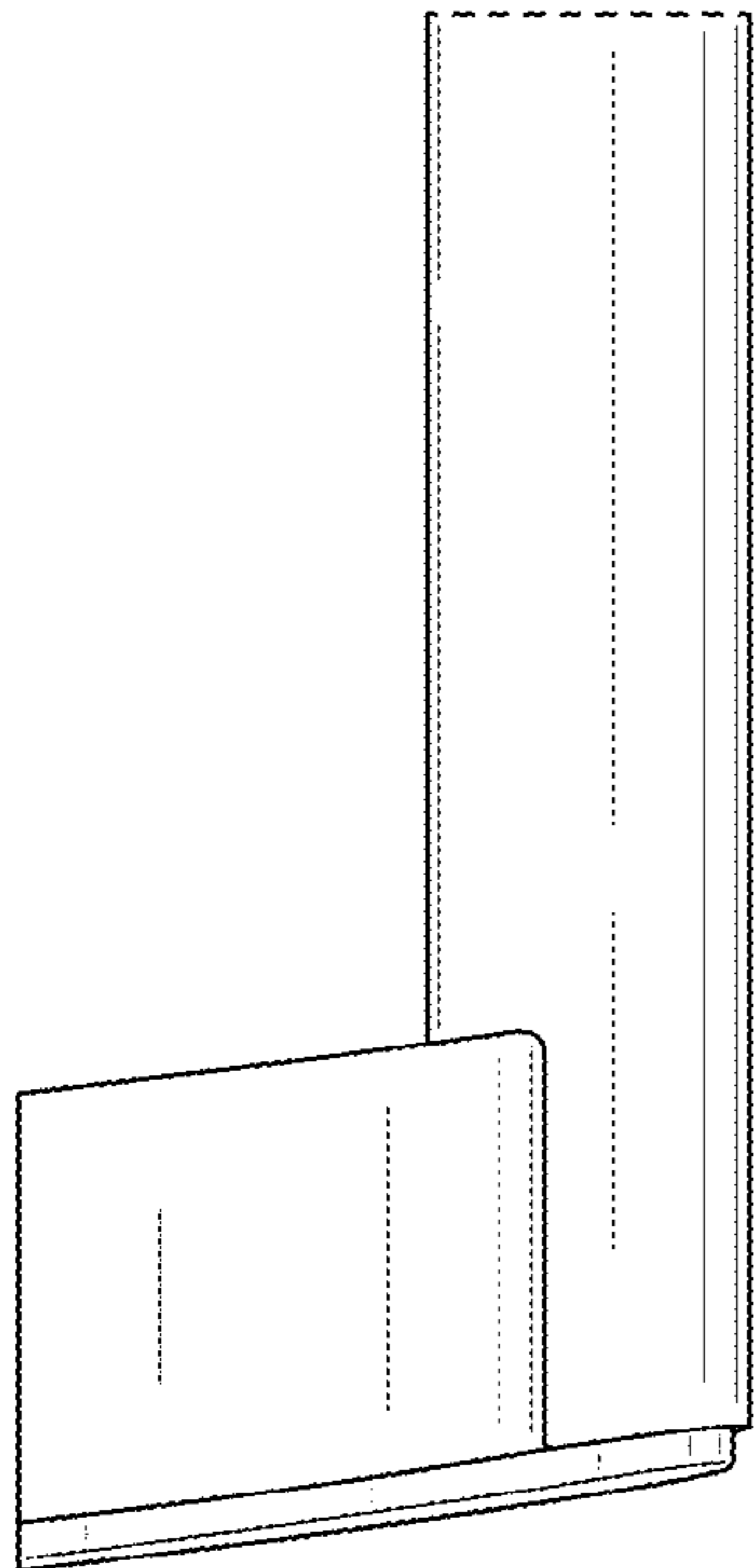
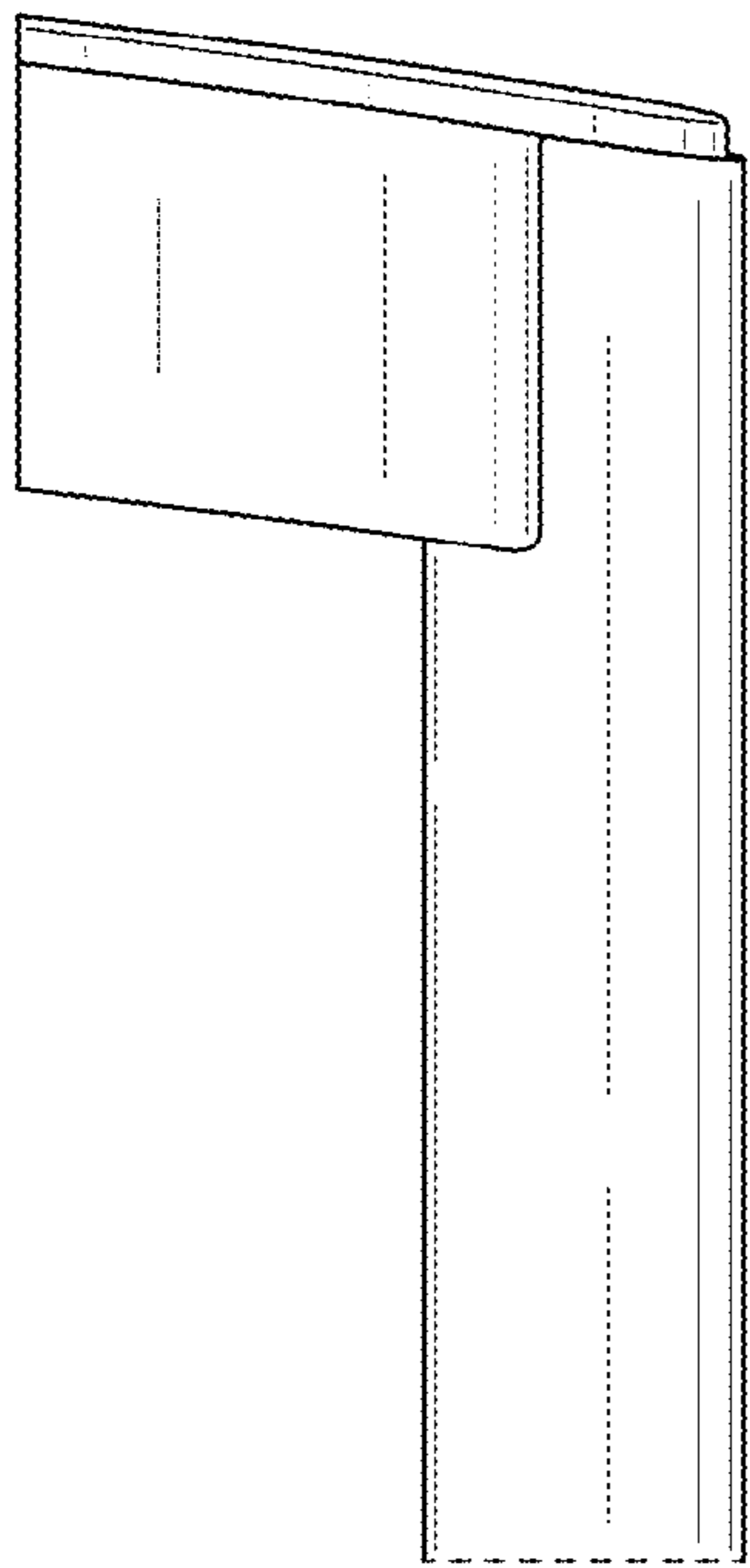


FIG. 6

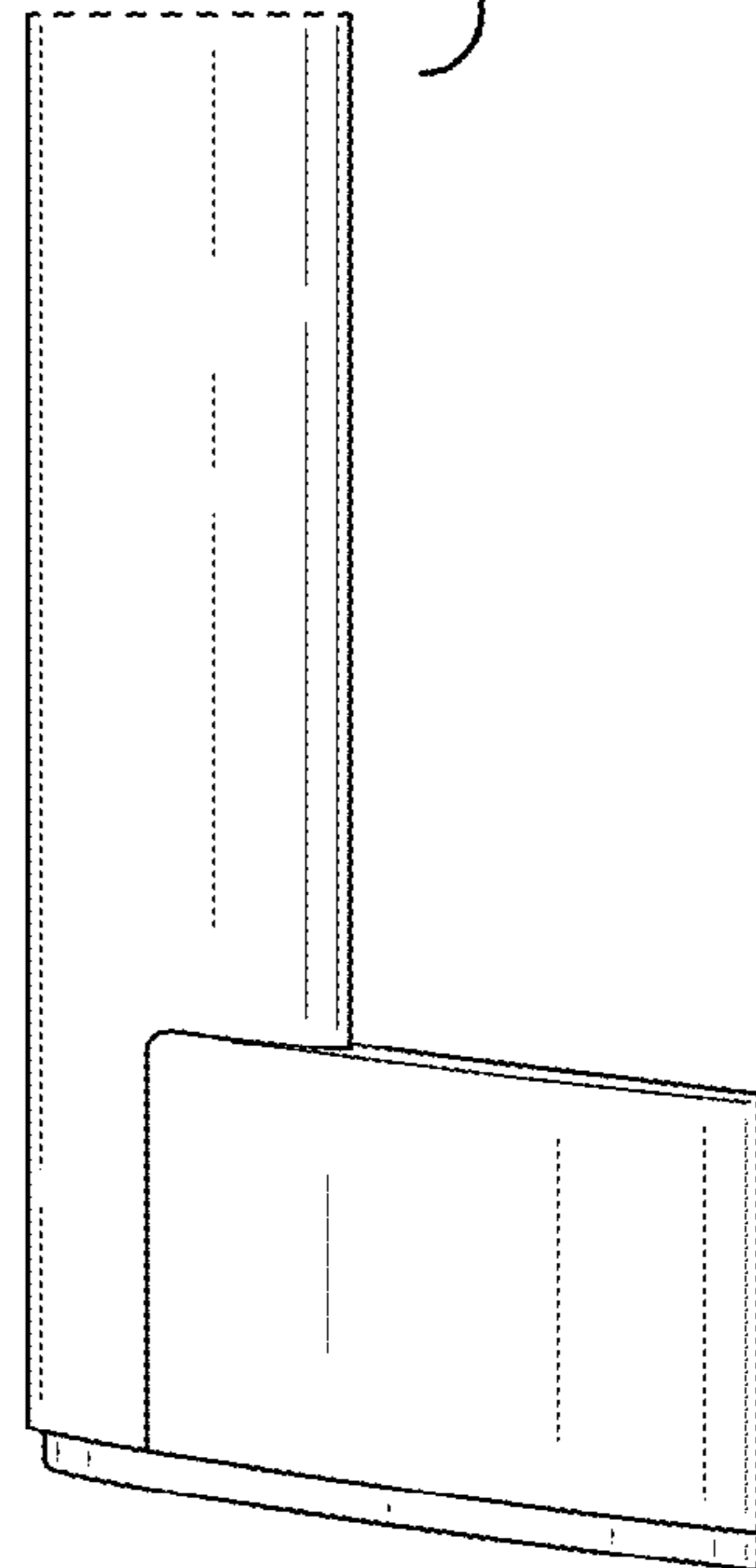
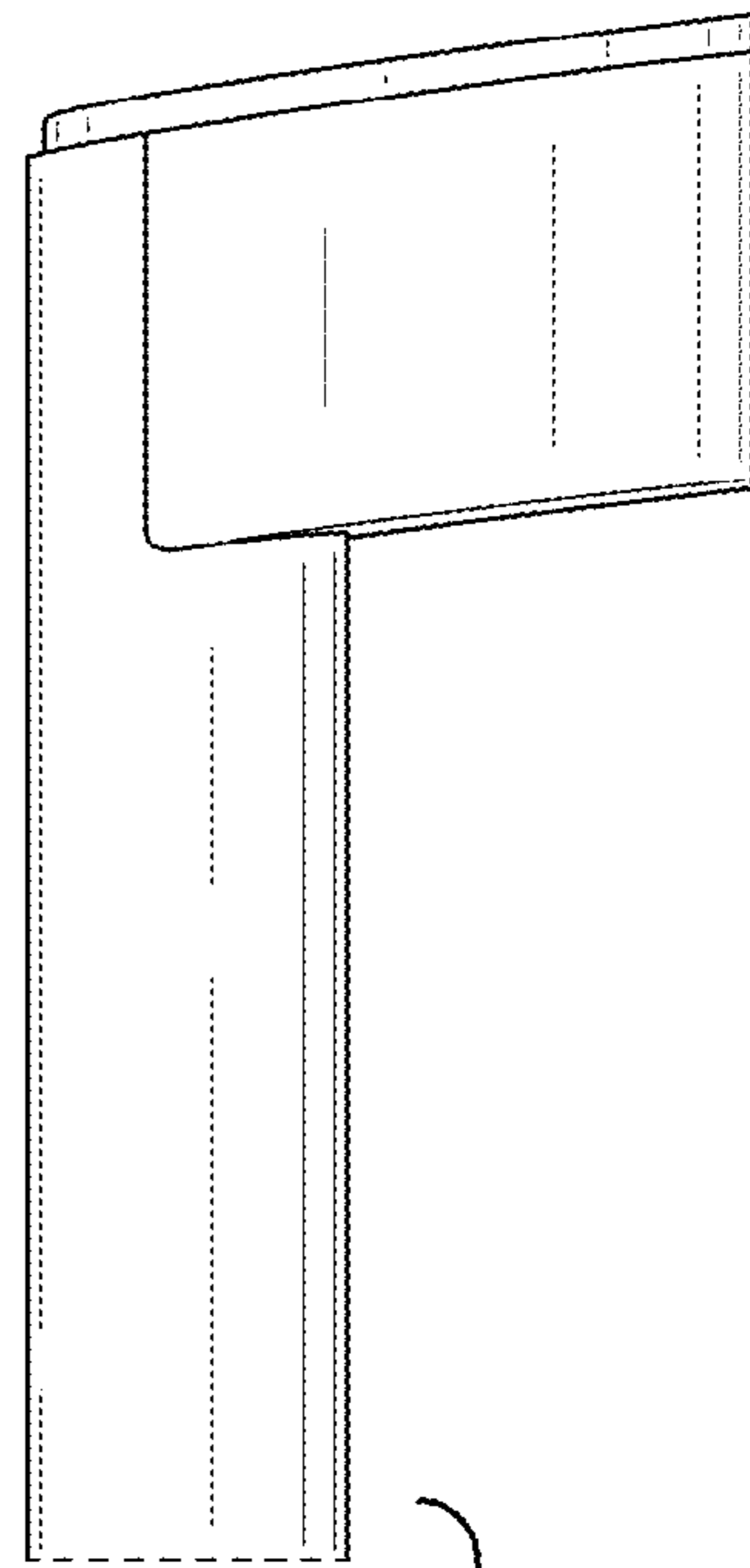


FIG. 7

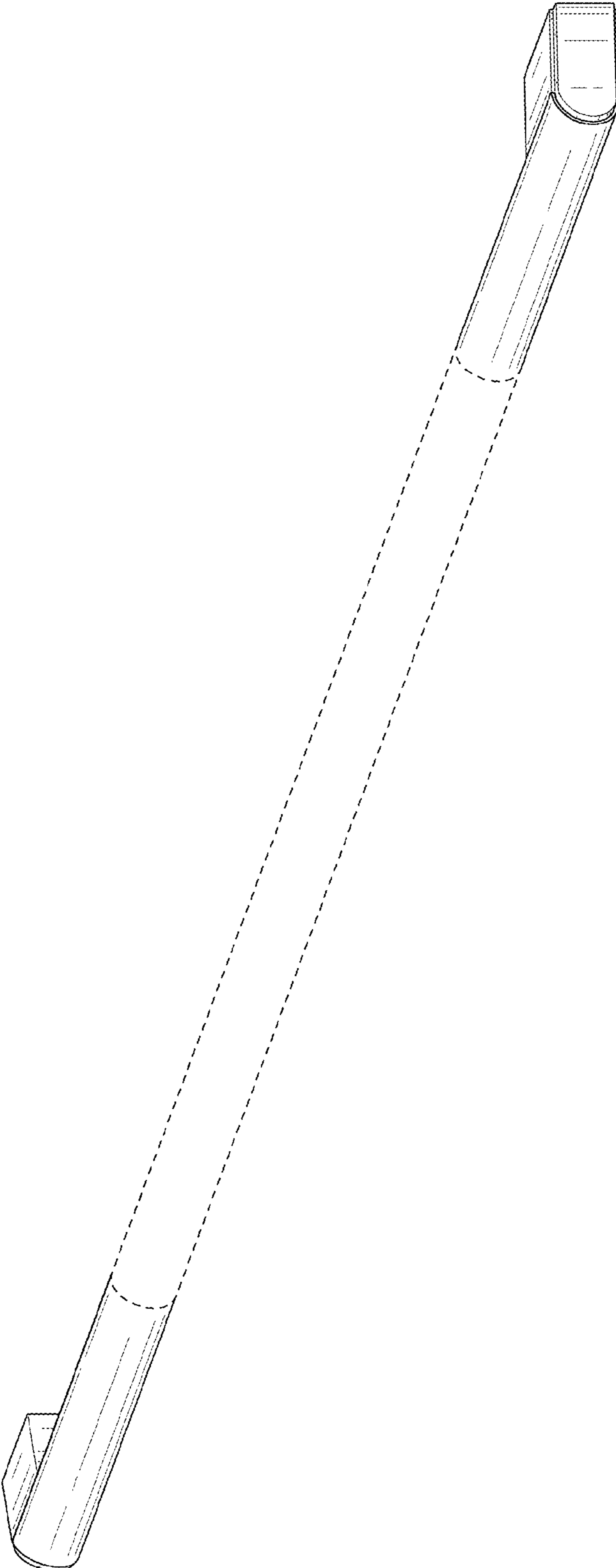


FIG. 8

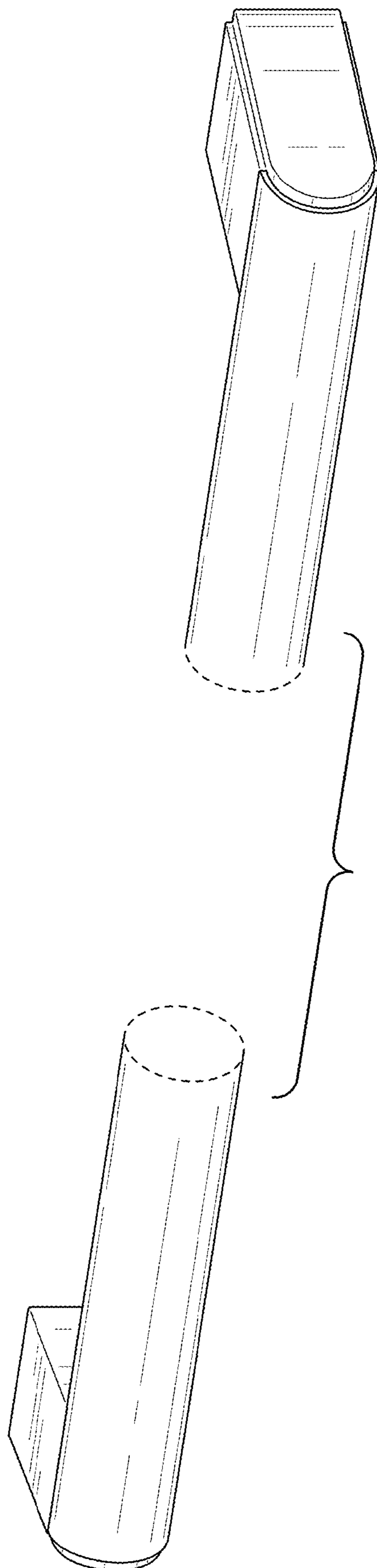


FIG. 9

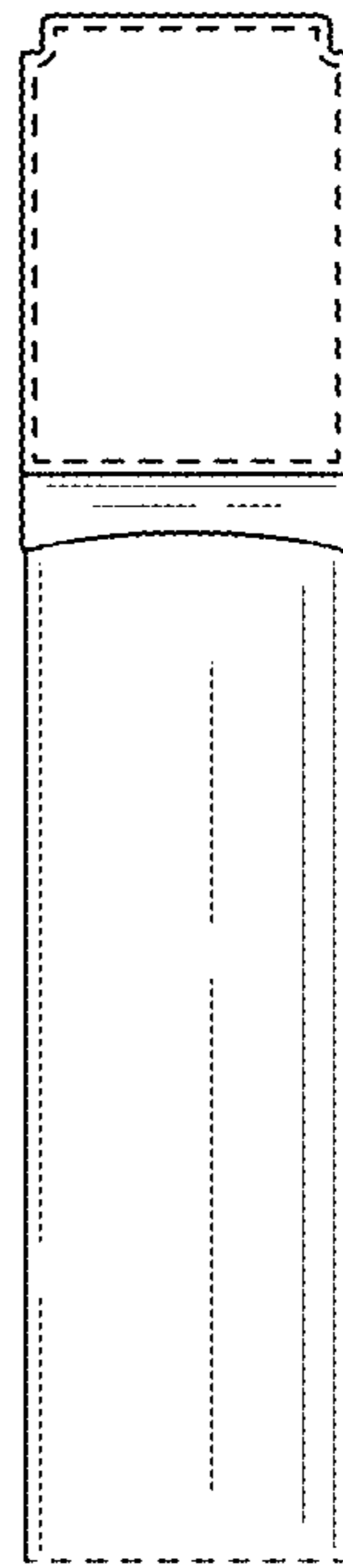
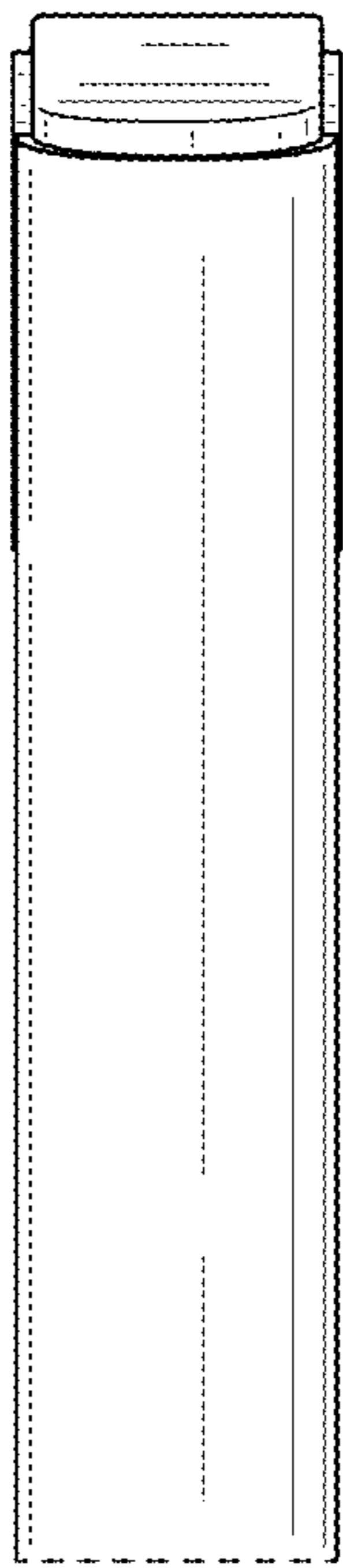
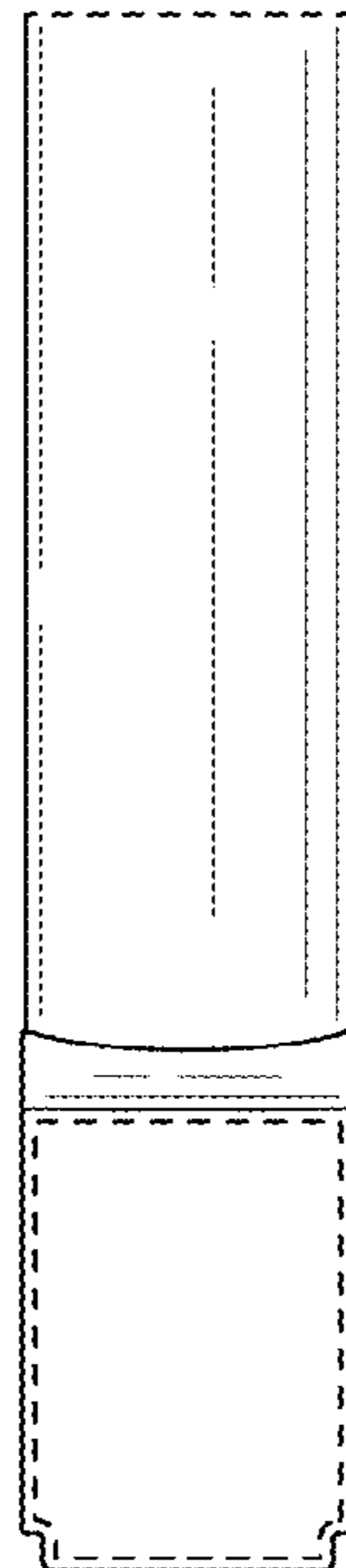
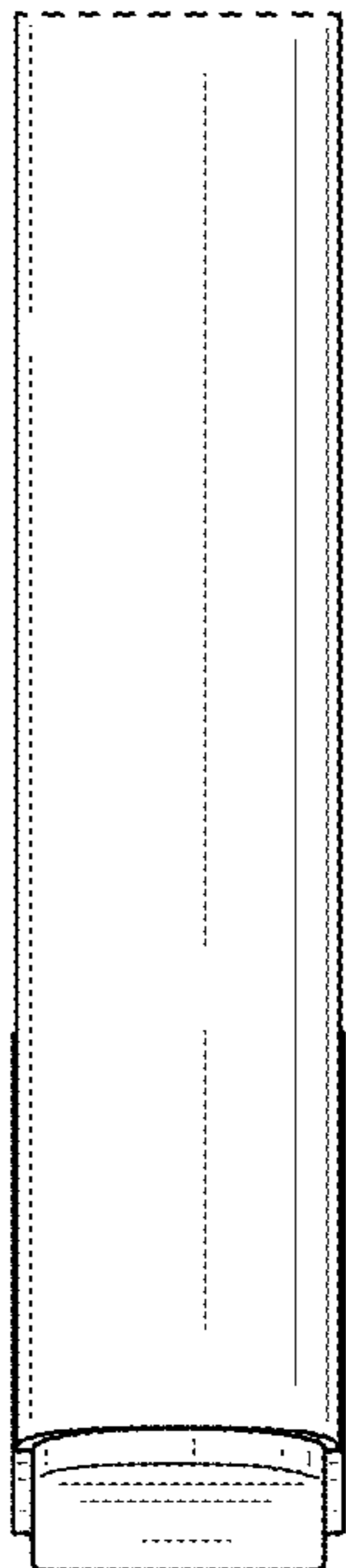


FIG. 10

FIG. 11



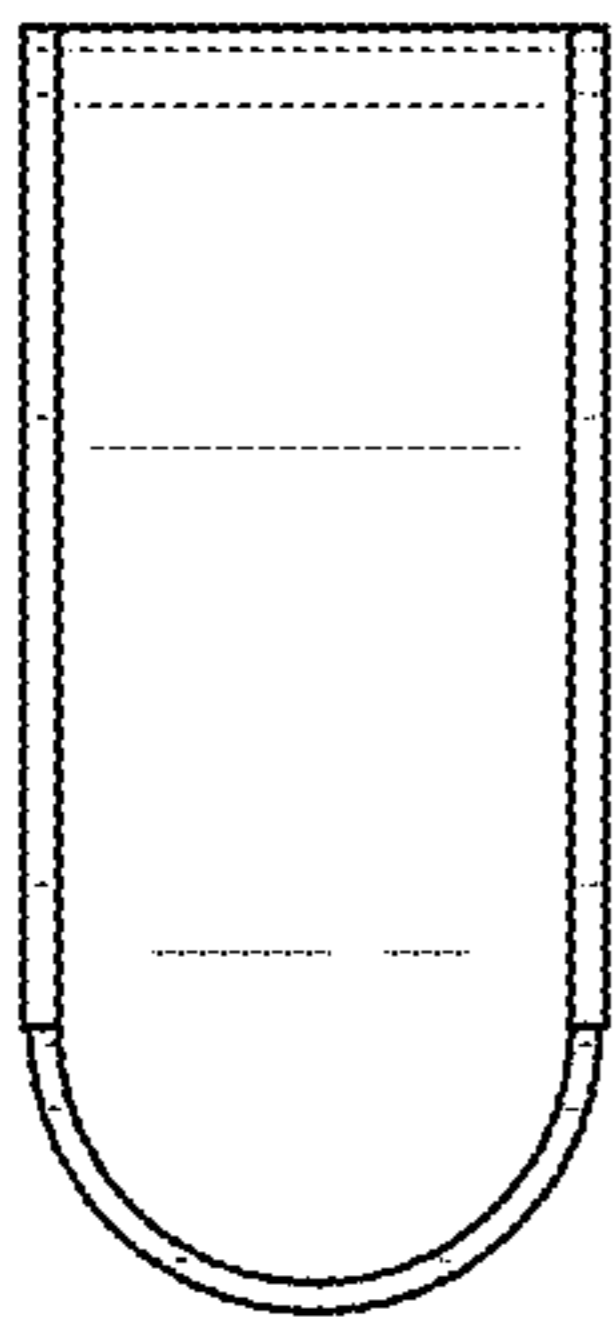


FIG. 12

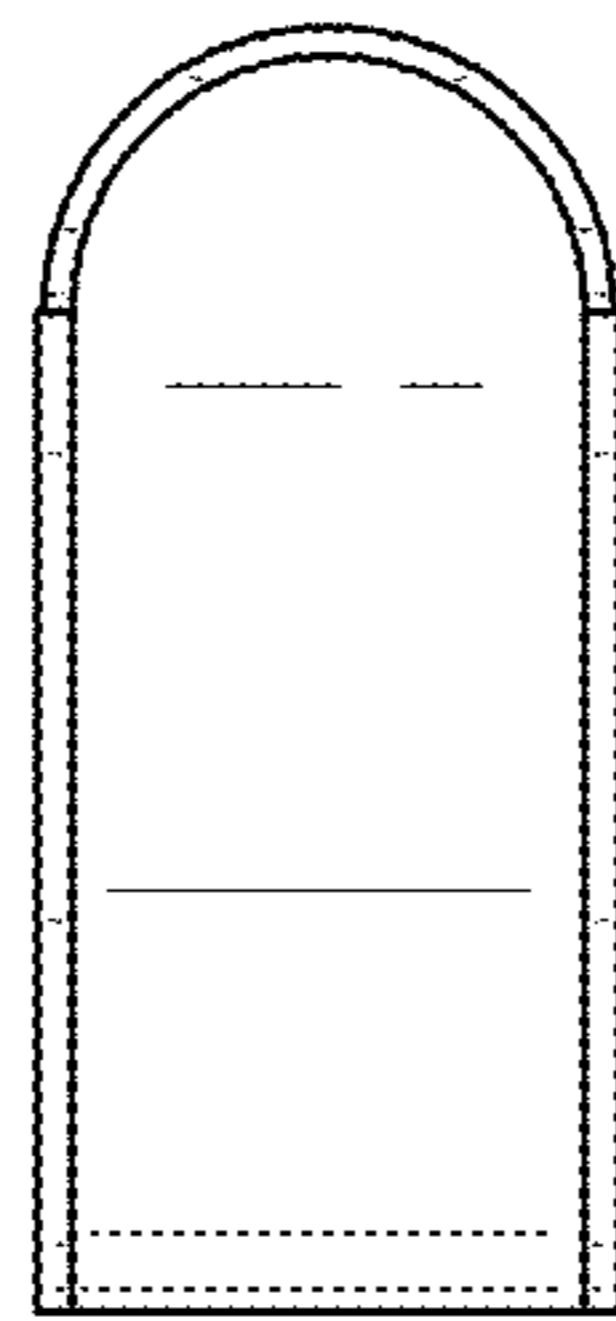


FIG. 13

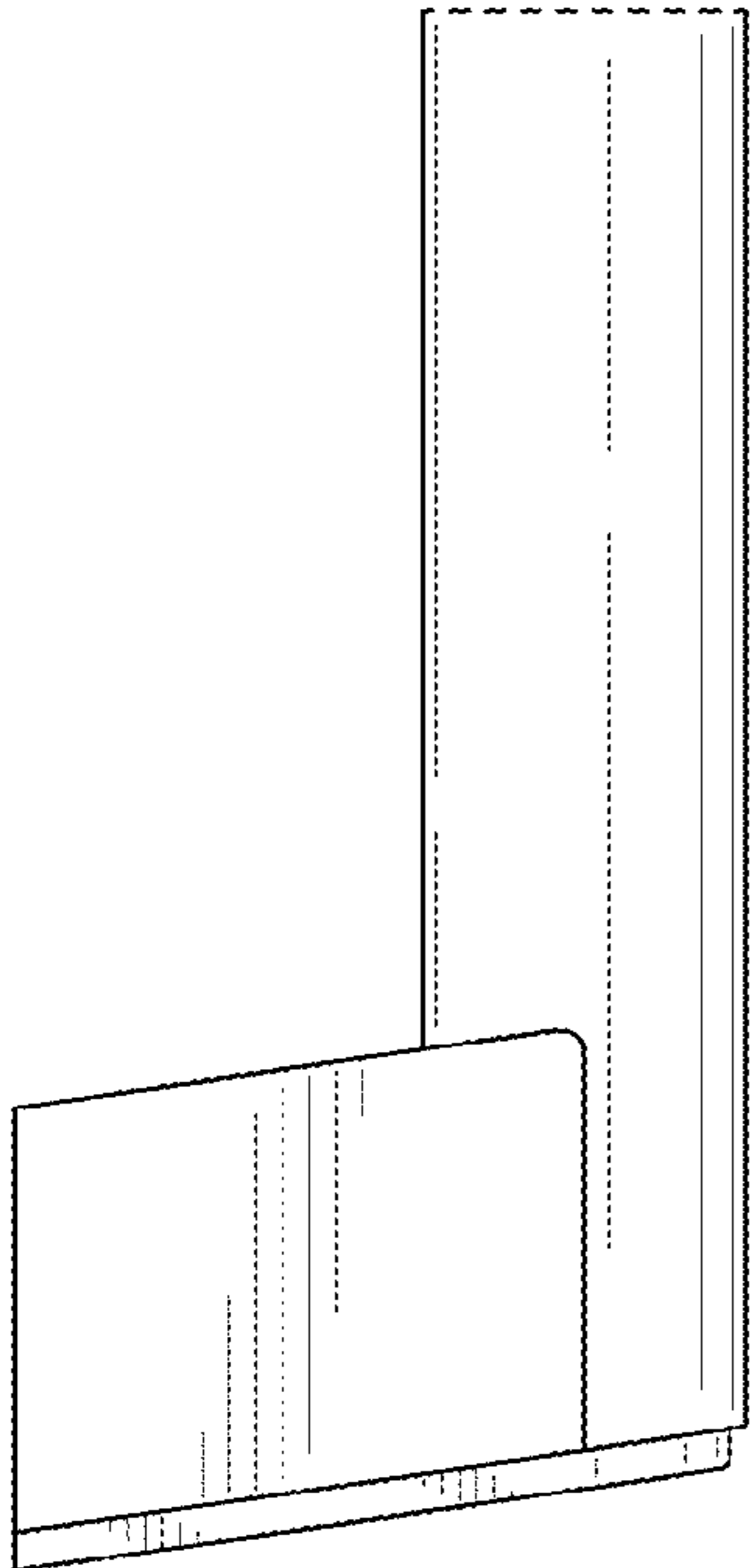
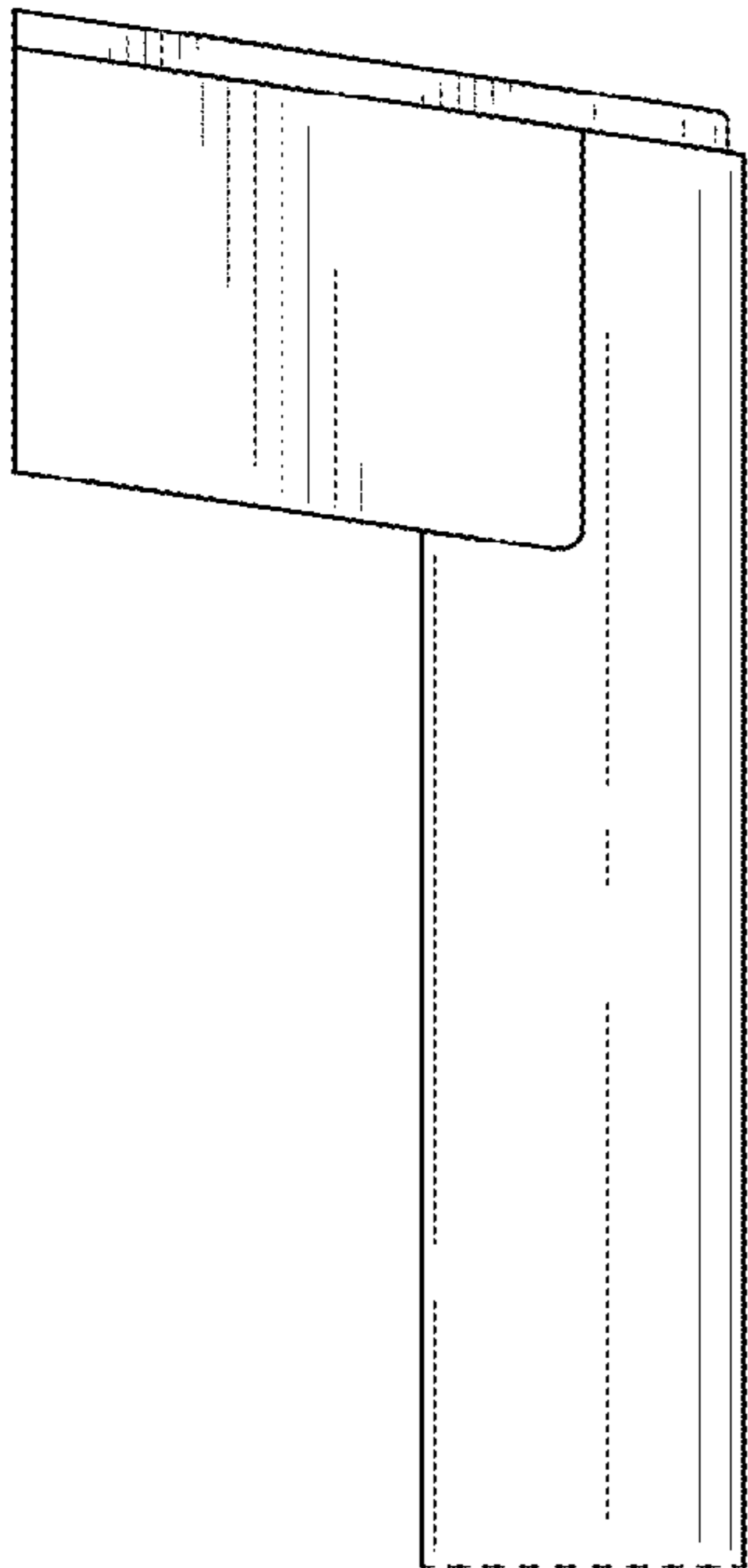


FIG. 14

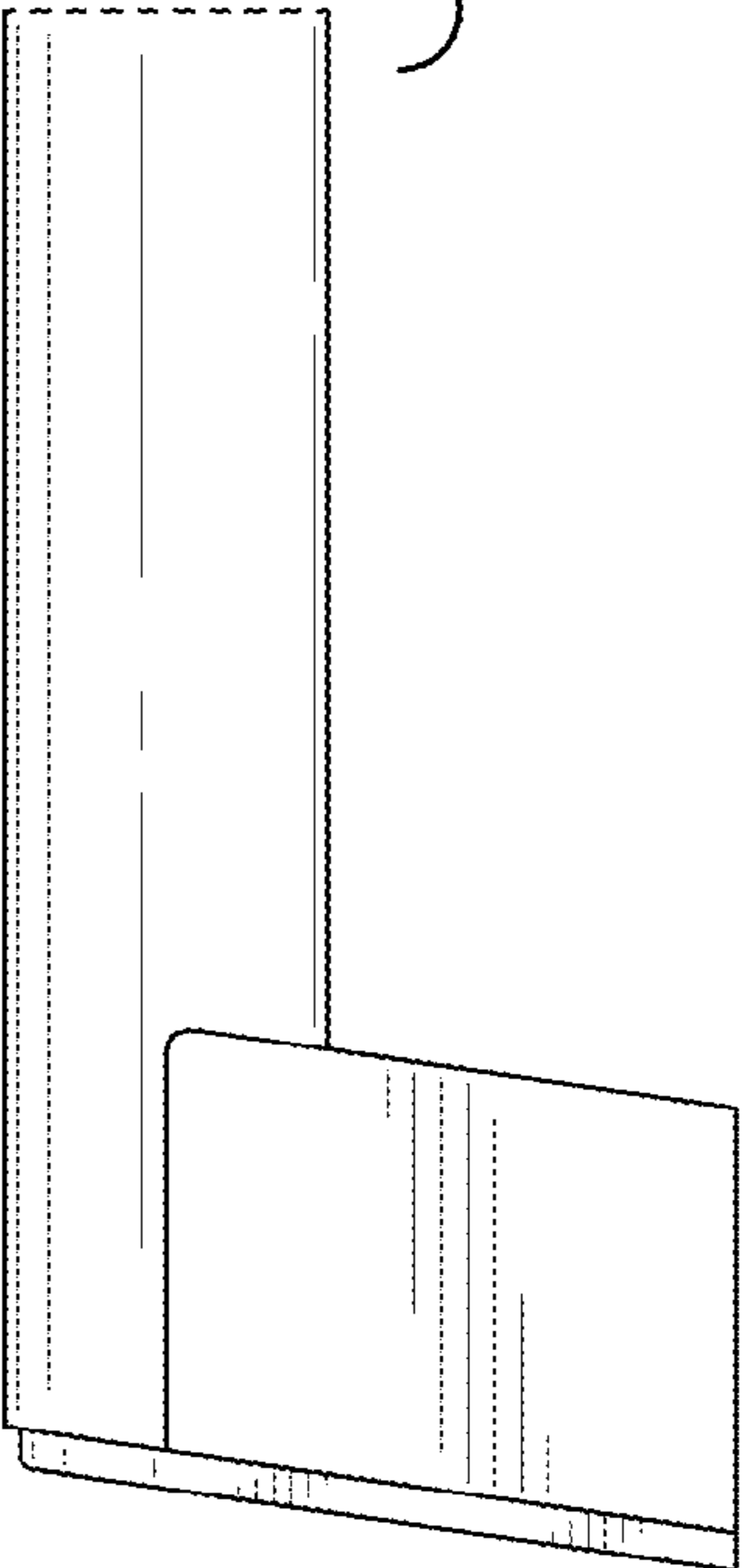
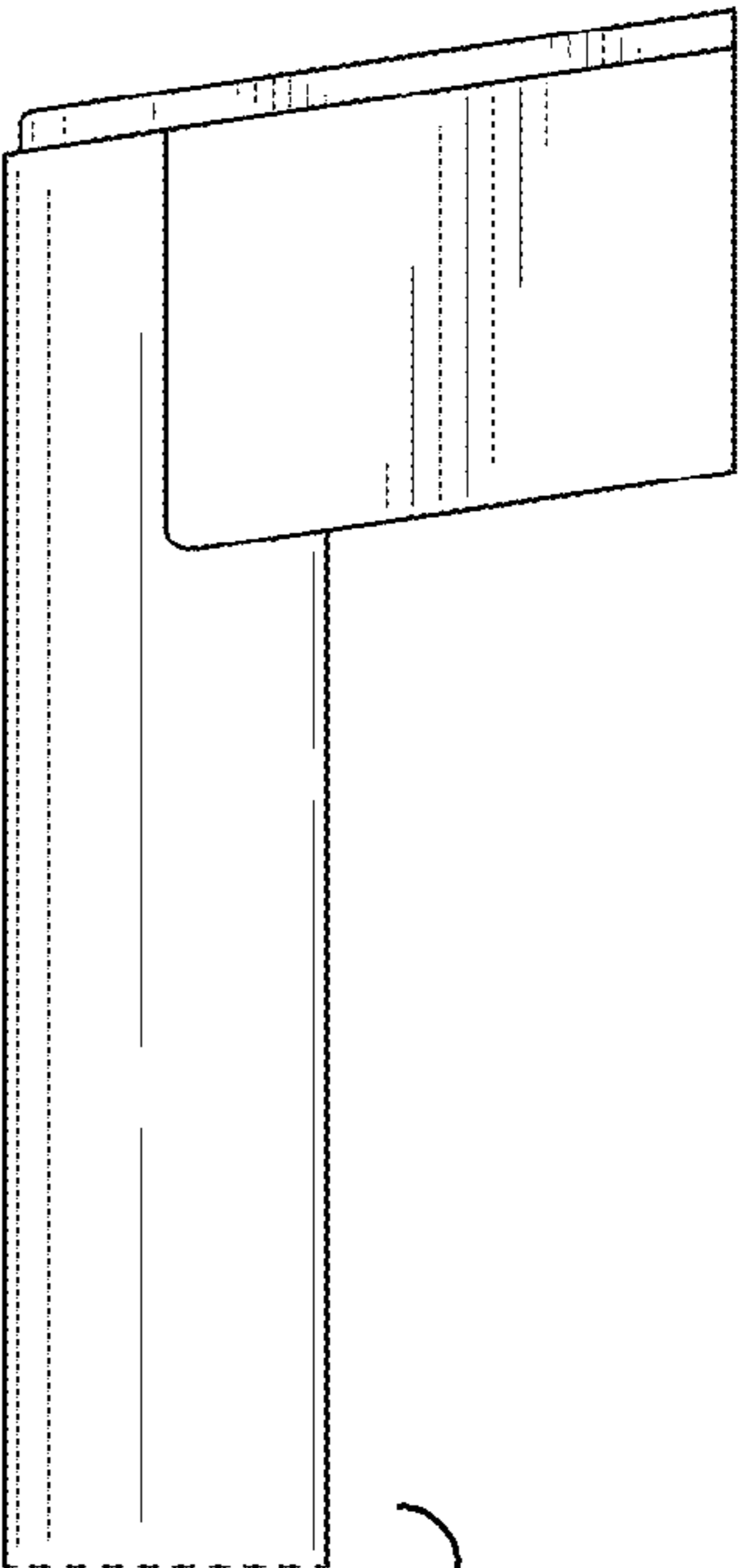


FIG. 15

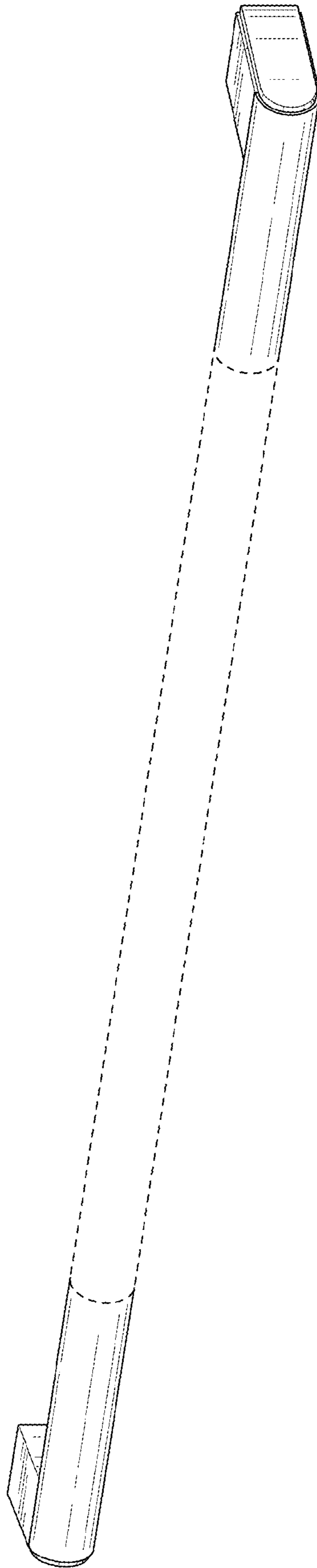


FIG. 16