



US00D925327S

(12) **United States Design Patent** (10) **Patent No.:** **US D925,327 S**
Cheng (45) **Date of Patent:** **** Jul. 20, 2021**

(54) **TOOL HANDLE**
(71) Applicant: **Allway Tools Inc.**, West Babylon, NY (US)
(72) Inventor: **Yuan Fang Cheng**, Syosset, NY (US)
(73) Assignee: **Allway Tools Inc**, Bronx, NY (US)
(**) Term: **15 Years**
(21) Appl. No.: **29/723,640**
(22) Filed: **Feb. 10, 2020**
(51) **LOC (13) Cl.** **08-05**
(52) **U.S. Cl.**
USPC **D8/107; D8/45**
(58) **Field of Classification Search**
USPC D8/45, 107, 14, 82, 83; D4/138;
D7/395; D32/46, 49, 52
CPC B25G 1/105; B25G 1/102; B25G 1/125;
B25F 1/10; Y10T 16/44; Y10T 16/498
See application file for complete search history.

D565,383 S * 4/2008 Bruno D8/107
D569,215 S * 5/2008 Chiu D8/107
D590,675 S * 4/2009 Manzanares D8/45
D607,708 S * 1/2010 Himbert D8/107
D608,177 S * 1/2010 Perlman D8/107
D612,702 S * 3/2010 Perlman D8/107
D860,740 S * 9/2019 Tschopp D8/45
D864,693 S * 10/2019 Levand D8/107
D904,851 S * 12/2020 Levand D8/107
2010/0117262 A1 * 5/2010 Gringer B29C 45/1676
264/247

* cited by examiner

Primary Examiner — Philip S Hyder
(74) *Attorney, Agent, or Firm* — Anthony Sgroi, Jr.

(57) **CLAIM**

The ornamental design for the tool handle, as shown and described.

DESCRIPTION

FIG. 1 is a front view of a tool handle showing the new design, the opposite side being identical thereto; FIG. 2 is a side view of the tool handle of FIG. 1, the opposite side being identical thereto; FIG. 3 is a top view of the tool handle of FIG. 1; FIG. 4 is a bottom view of the tool handle of FIG. 1; FIG. 5 is top perspective view of the tool handle of FIG. 1; FIG. 6 is first isometric side perspective view of the tool handle of FIG. 1; FIG. 7 is second isometric side perspective view of the tool handle of FIG. 1; and, FIG. 8 is bottom perspective view of the tool handle of FIG. 1.

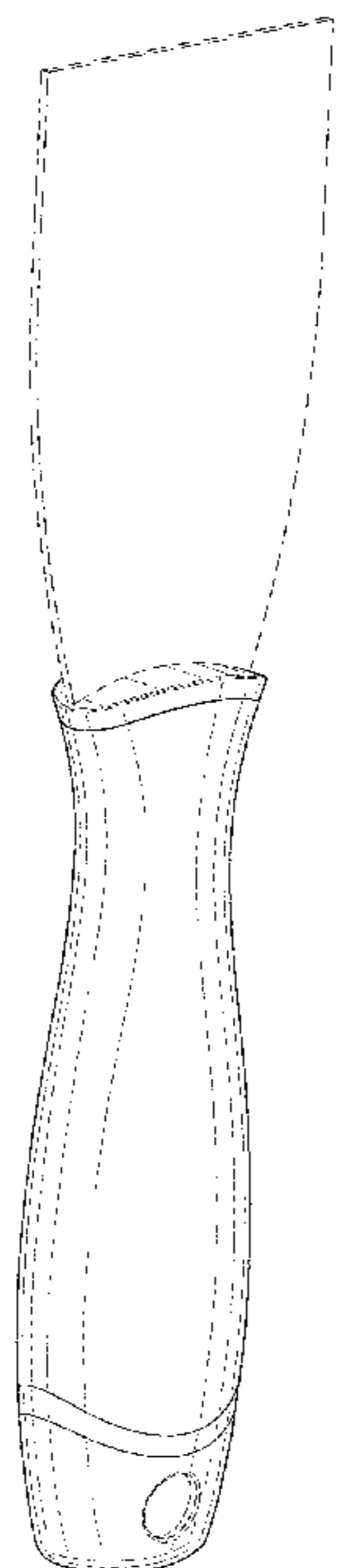
The broken lines illustrate environmental matter that forms no part of the claimed design.

1 Claim, 8 Drawing Sheets

(56) **References Cited**

U.S. PATENT DOCUMENTS

D414,395 S * 9/1999 Panfili D8/107
5,956,799 A * 9/1999 Panaccione E04F 21/06
15/236.01
D420,887 S * 2/2000 Chen D7/395
D444,692 S * 7/2001 Marquardt D7/395
D456,236 S * 4/2002 Norton D8/14
D462,251 S * 9/2002 Collins D8/107
D483,244 S * 12/2003 Chen D8/107
D498,124 S * 11/2004 Mitchell D8/45
D534,781 S * 1/2007 Chen D8/107
D535,541 S * 1/2007 Holby D8/107
D551,053 S * 9/2007 Bruno D8/107
D553,940 S * 10/2007 Perez D8/107



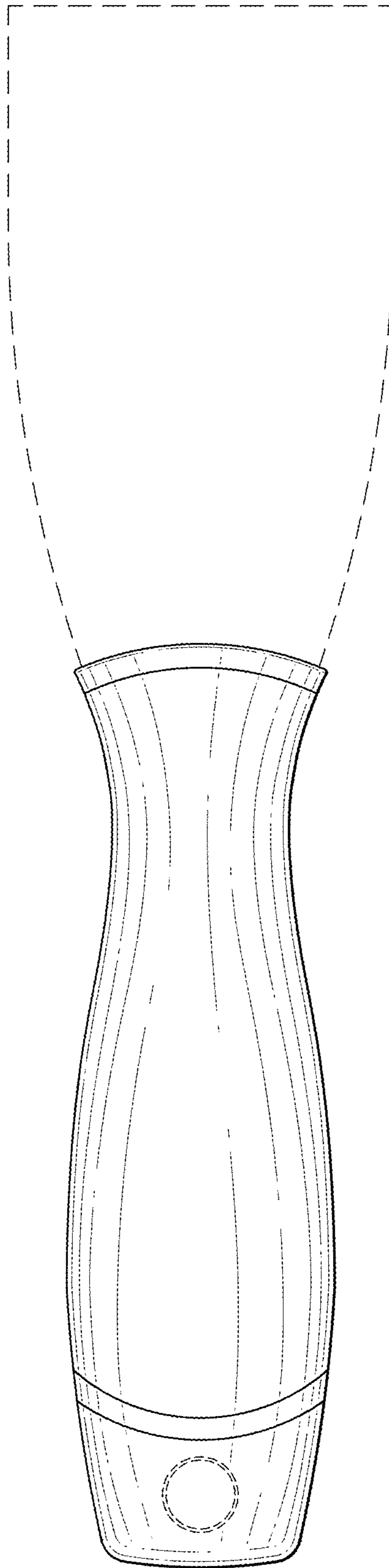


FIG. 1

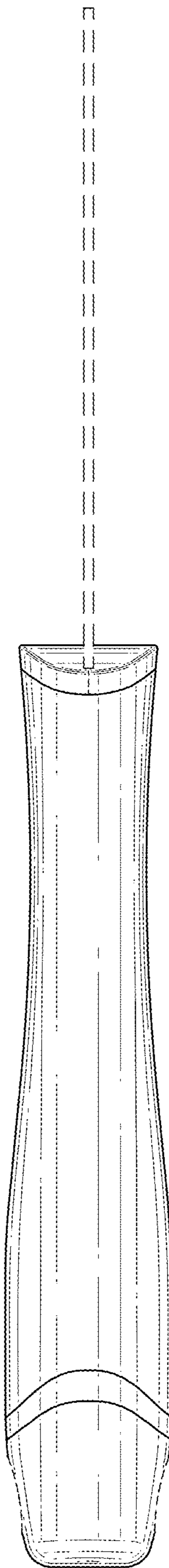


FIG. 2

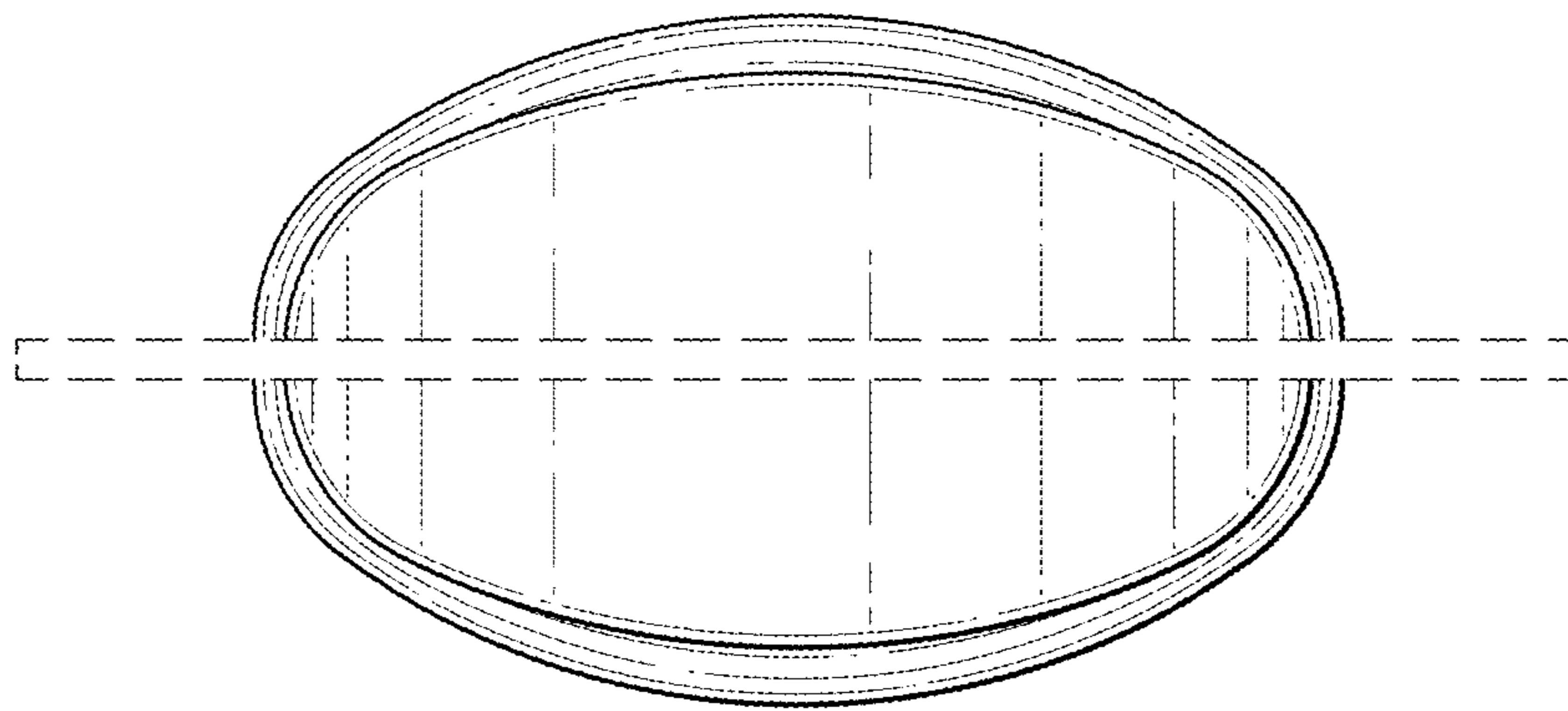


FIG. 3

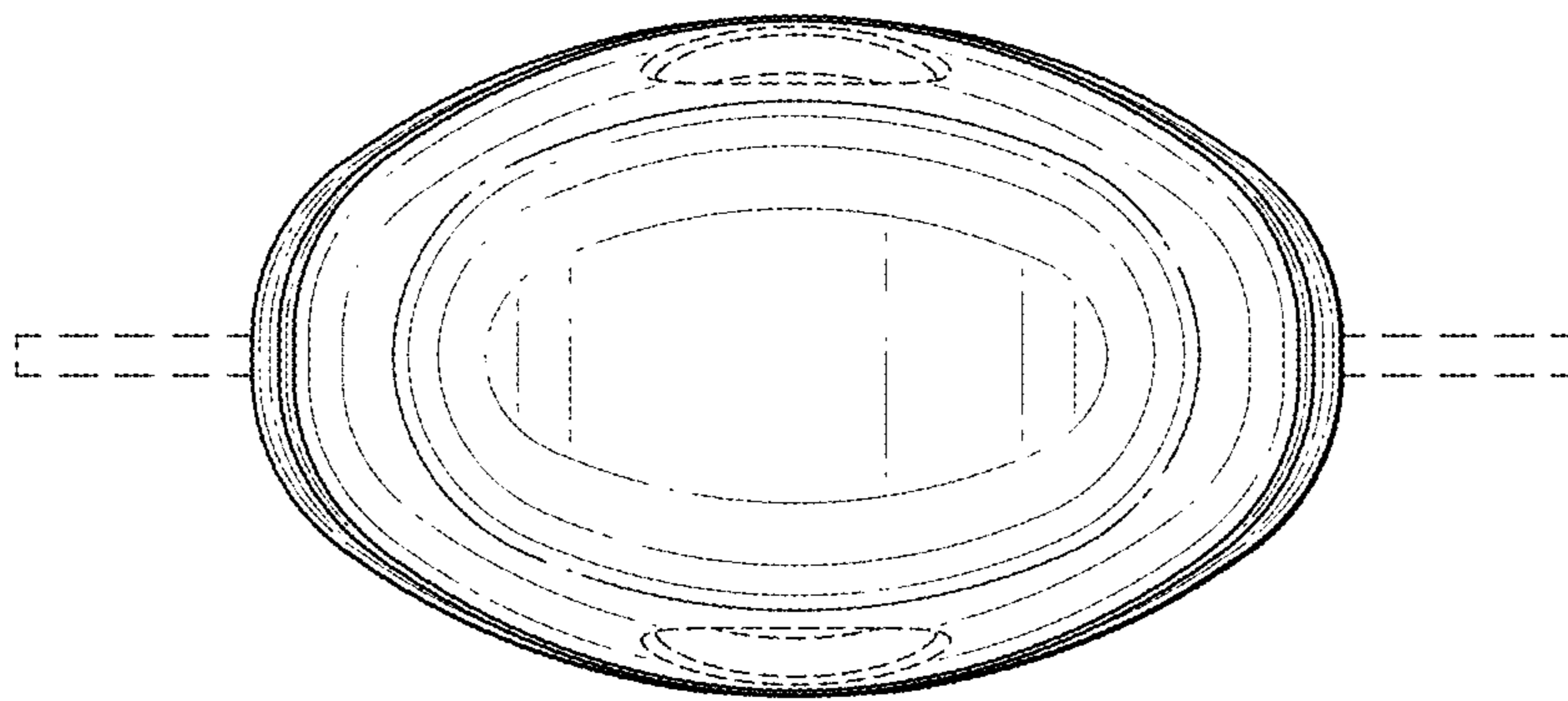


FIG. 4

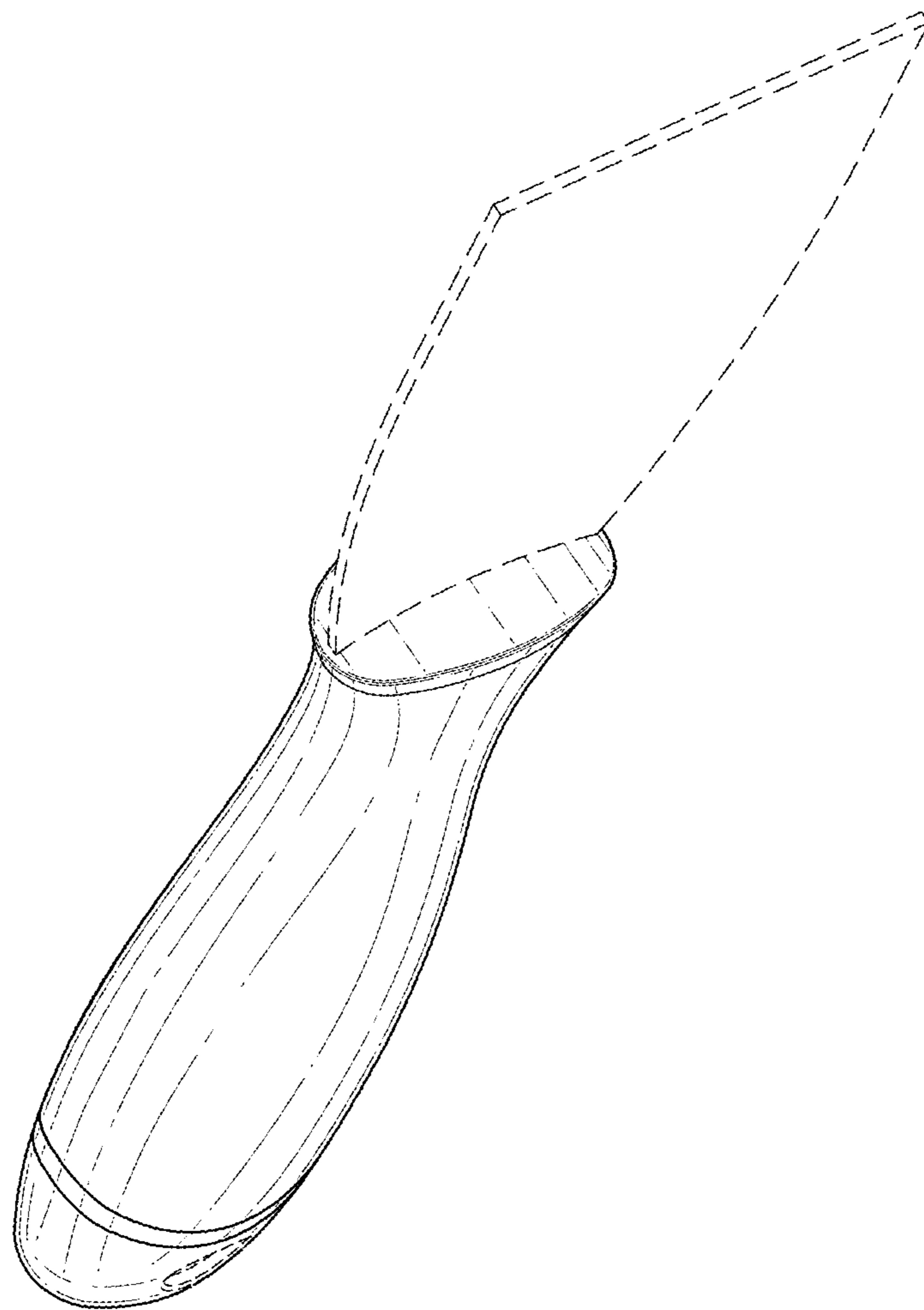


FIG. 5

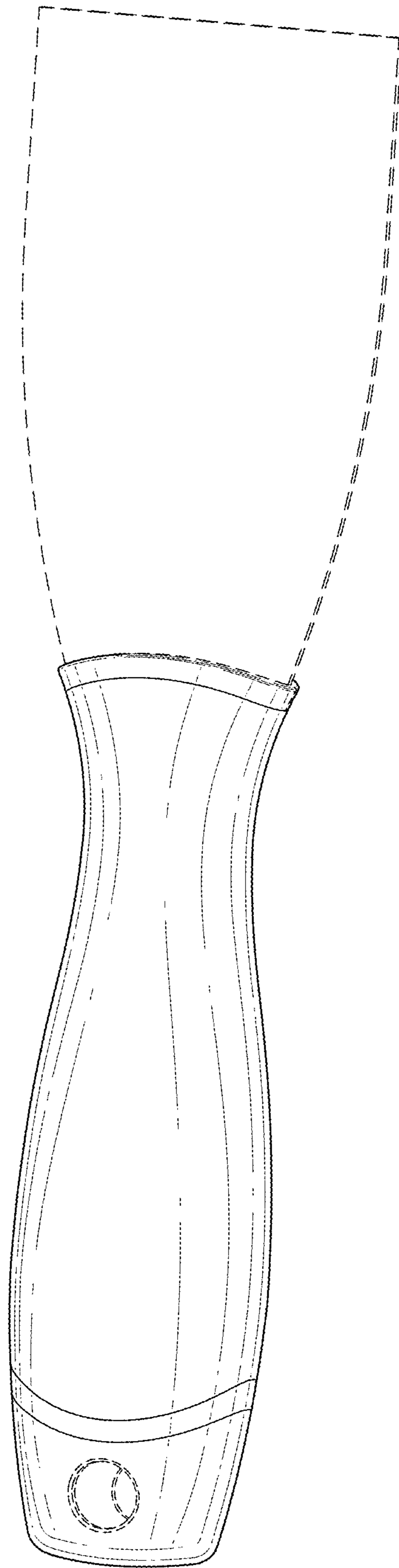


FIG. 6

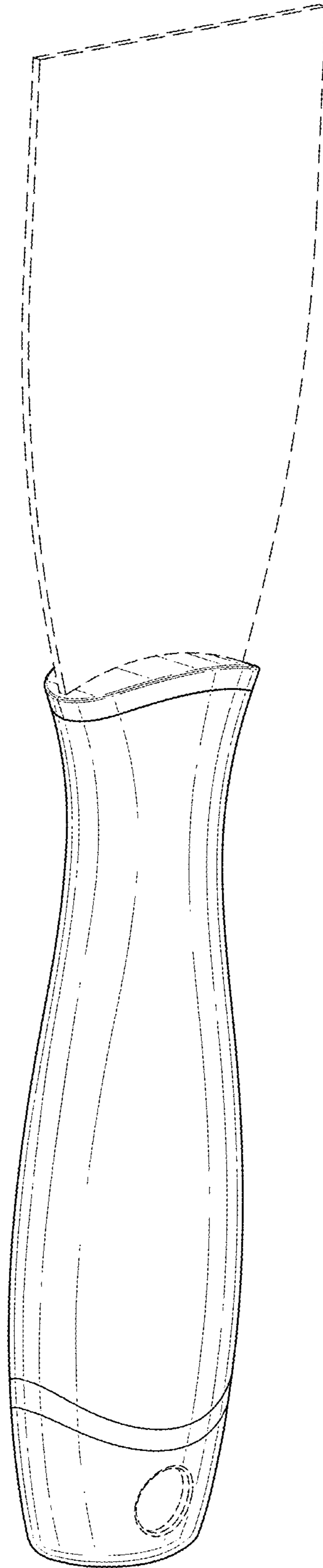


FIG. 7

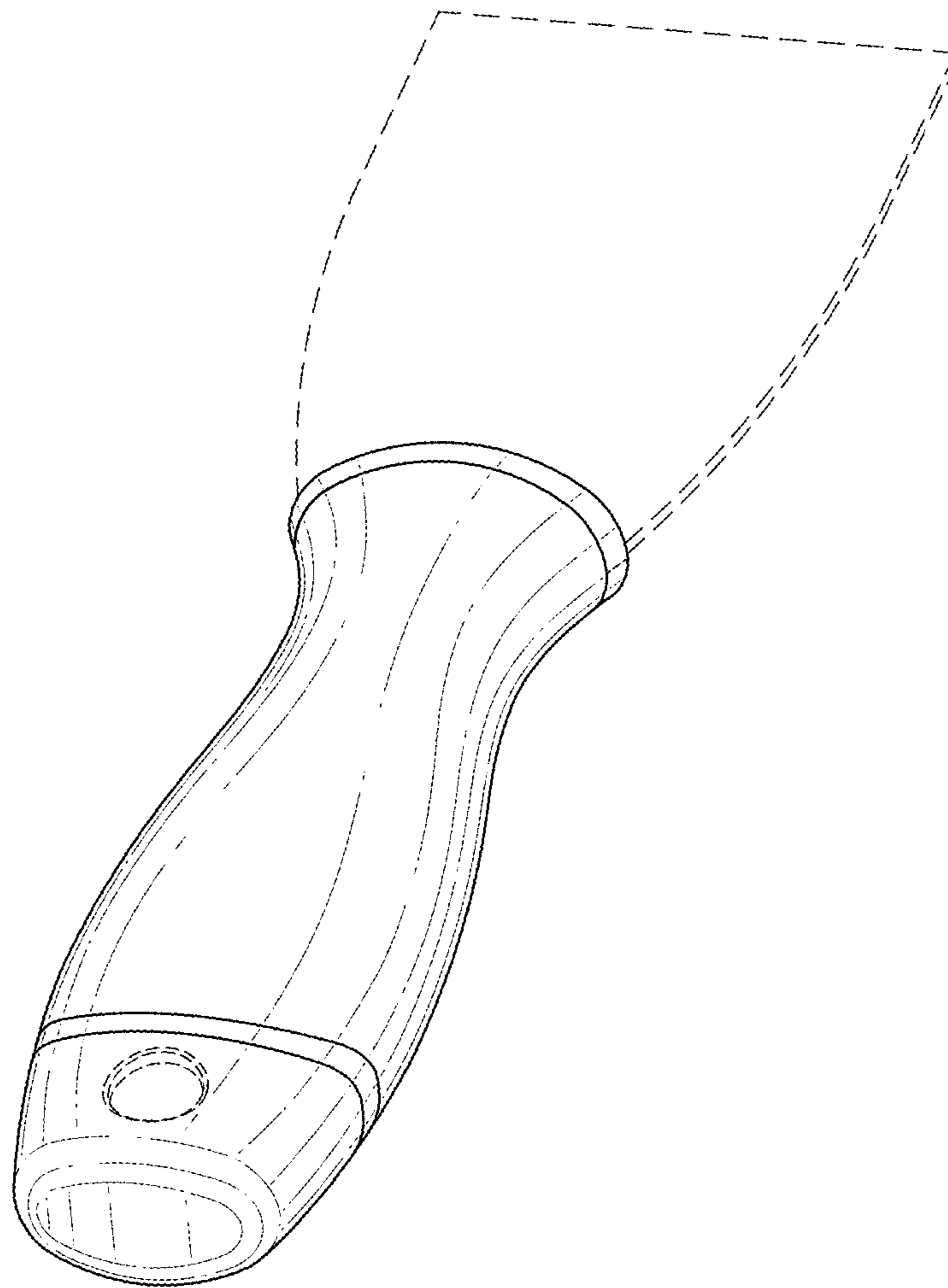


FIG. 8