



US00D925323S

(12) **United States Design Patent**
Hangartner et al.

(10) **Patent No.:** **US D925,323 S**
(45) **Date of Patent:** **** Jul. 20, 2021**

(54) **KNIFE**
(71) Applicant: **Milwaukee Electric Tool Corporation,**
Brookfield, WI (US)

812,601 A 2/1906 Schrade
845,130 A 2/1907 Schrade
1,030,058 A 6/1912 Doles
(Continued)

(72) Inventors: **Scott M. Hangartner,** Hartland, WI
(US); **Andrew M. Tuchscherer,**
Wauwatosa, WI (US)

FOREIGN PATENT DOCUMENTS

WO WO 2013/184974 12/2013

(73) Assignee: **Milwaukee Electric Tool Corporation,**
Brookfield, WI (US)

OTHER PUBLICATIONS

U.S. Appl. No. 29/703,774, filed Aug. 29, 2019, Hangartner et al.

(**) Term: **15 Years**

Primary Examiner — Philip S Hyder

(21) Appl. No.: **29/703,769**

(74) *Attorney, Agent, or Firm* — Reinhart Boerner Van
Deuren s.c.

(22) Filed: **Aug. 29, 2019**

(57) **CLAIM**

(51) **LOC (13) Cl.** **08-03**

We claim the ornamental design for a knife, as shown and
described.

(52) **U.S. Cl.**

USPC **D8/99**

(58) **Field of Classification Search**

DESCRIPTION

USPC D8/98, 99, 107, 14, 20; D22/118
CPC B26B 5/001; B26B 5/003; B26B 11/00;
B26B 1/08; B26B 1/02; B26B 1/10;
B26B 1/04; B26B 1/046; B26B 1/048;
B26B 1/042

FIG. 1 is a top, right perspective view of a knife, embodying
the new design.

FIG. 2 is a front view of the knife of FIG. 1.

FIG. 3 is a rear view of the knife of FIG. 1.

FIG. 4 is a right view of the knife of FIG. 1.

FIG. 5 is a left view of the knife of FIG. 1.

FIG. 6 is a top view of the knife of FIG. 1.

FIG. 7 is a bottom view of the knife of FIG. 1.

FIG. 8 is a top, right perspective view of the knife of FIGS.
1 through 7, depicted using a wire frame drawing technique.

FIG. 9 is a front view of the knife of FIG. 8.

FIG. 10 is a rear view of the knife of FIG. 8.

FIG. 11 is a right view of the knife of FIG. 8.

FIG. 12 is a left view of the knife of FIG. 8.

FIG. 13 is a top view of the knife of FIG. 8; and,

FIG. 14 is a bottom view of the knife of FIG. 8.

The ornamental design which is claimed is shown in solid
lines in the drawings.

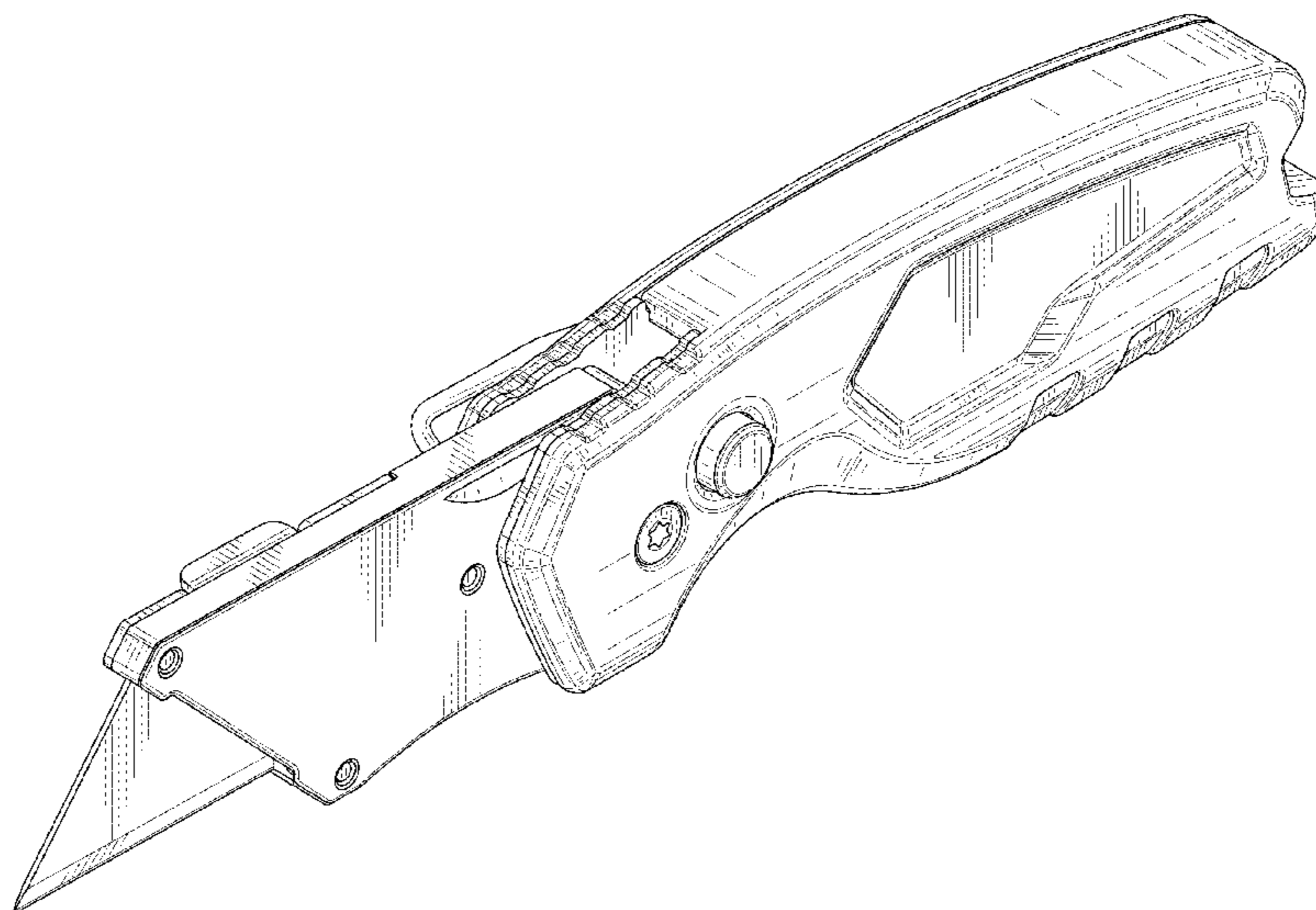
See application file for complete search history.

(56) **References Cited**

U.S. PATENT DOCUMENTS

23,975 A 5/1859 Belcher
226,910 A 4/1880 Friebertshauser
273,858 A 3/1883 Korn
462,141 A 10/1891 Kruschke
470,605 A 3/1892 Schrade
476,245 A 6/1892 Bultzingslowen
492,620 A 2/1893 Balston
530,788 A 12/1894 Moritz
551,052 A 12/1895 Shonnard et al.
553,430 A 1/1896 Schmachtenberg
592,612 A 10/1897 Johnson
730,025 A 6/1903 Kaufmann

1 Claim, 12 Drawing Sheets



(56)

References Cited

U.S. PATENT DOCUMENTS

1,584,165 A	5/1926	Brown	6,430,816 B2	8/2002	Neveux
1,769,093 A	7/1930	Wuesthoff	6,434,831 B2	8/2002	Chen
1,803,899 A	5/1931	Fueller	6,438,848 B1	8/2002	McHenry et al.
1,810,031 A	6/1931	Schrade	D473,911 S	4/2003	Green
2,052,741 A	9/1936	Bersted	6,553,671 B2	4/2003	Blanchard
2,183,378 A	12/1939	Conklin	6,574,869 B1	6/2003	McHenry et al.
2,197,136 A	4/1940	Share et al.	6,591,504 B2	7/2003	Onion
2,199,430 A	5/1940	Greve	6,598,297 B1	7/2003	Matt
2,188,762 A	6/1940	Schrade	D478,957 S	8/2003	Rae et al.
2,261,267 A	11/1941	Metz	6,651,344 B2	11/2003	Cheng
2,263,415 A	11/1941	Berg et al.	6,658,743 B2	12/2003	Dudley, Jr. et al.
2,304,601 A	12/1942	Schrade	6,688,407 B2	2/2004	Etter et al.
2,407,897 A	9/1946	Newman	6,726,072 B2	4/2004	Rugh
2,530,236 A	11/1950	Erickson	6,729,029 B1	5/2004	Chu
2,839,831 A	6/1958	Baer	6,732,436 B2	5/2004	Moizis
2,862,482 A	12/1958	Hart	6,751,868 B2	6/2004	Glesser
3,868,774 A	3/1975	Miori	6,763,592 B2	7/2004	Yu
4,347,665 A	9/1982	Glesser	6,810,588 B1	11/2004	Cheng
4,451,982 A	6/1984	Collins	6,826,836 B1	12/2004	Lin
4,719,700 A	1/1988	Taylor, Jr.	6,834,432 B1	12/2004	Taylor, Jr.
4,730,394 A	3/1988	Sonner, Jr.	D502,526 S	3/2005	Rae
4,773,159 A	9/1988	Casazza, Jr.	6,895,674 B2	5/2005	Ai
4,811,486 A	3/1989	Cunningham	6,941,661 B2	9/2005	Frazer
4,858,320 A	8/1989	Lemaire	7,000,323 B1	2/2006	Hatcher et al.
4,893,409 A	1/1990	Poehlmann	7,007,392 B2	3/2006	Ping
4,901,439 A	2/1990	Boyd, Jr.	7,013,569 B2	3/2006	Holler
5,029,354 A	7/1991	Boyd, Jr. et al.	7,032,315 B1	4/2006	Busse
5,095,624 A	3/1992	Ennis	7,040,022 B2	5/2006	Ping
5,111,581 A	5/1992	Collins	7,051,441 B2	5/2006	Carter, III
5,325,588 A	7/1994	Rogers	7,059,053 B2	6/2006	Sakai
5,379,492 A	1/1995	Glesser	7,062,856 B2	6/2006	Moser
5,425,175 A	6/1995	Rogers	7,086,157 B2	8/2006	Vallotton
5,438,757 A	8/1995	Weschenfelder	7,107,685 B1	9/2006	Anderson
5,485,677 A	1/1996	Seber	7,107,686 B2	9/2006	Linn et al.
5,495,674 A	3/1996	Taylor, Jr.	7,121,005 B2	10/2006	Hughes
5,501,015 A	3/1996	Harvey	7,134,207 B2	11/2006	Ping
5,502,895 A	4/1996	Lemaire	7,140,110 B2	11/2006	Lake
5,511,310 A	4/1996	Sessions et al.	7,143,841 B2	12/2006	Etter et al.
5,528,831 A	6/1996	Frontenberry	7,165,329 B2	1/2007	Koa
5,537,750 A	7/1996	Seber et al.	7,181,849 B2	2/2007	Menter
5,546,662 A	8/1996	Seber et al.	7,214,127 B1	5/2007	Thompson et al.
5,572,793 A	11/1996	Collins et al.	7,243,430 B1	7/2007	Lerch
5,596,808 A	1/1997	Lake et al.	7,246,441 B1	7/2007	Collins
5,615,484 A	4/1997	Pittman	D553,466 S	10/2007	Powers
5,621,973 A	4/1997	Seber et al.	7,275,321 B2	10/2007	Cheng
5,704,129 A	1/1998	Glesser	7,284,329 B1	10/2007	King
D392,016 S	3/1998	Balolia	7,293,360 B2	11/2007	Steigerwalt et al.
5,722,168 A	3/1998	Huang	D559,939 S	1/2008	Veff, III
5,737,841 A	4/1998	McHenry et al.	7,313,866 B2	1/2008	Linn et al.
5,794,346 A	8/1998	Seber et al.	D561,295 S	2/2008	Taylor
5,802,722 A	9/1998	Maxey et al.	D562,932 S	2/2008	Taylor
5,815,927 A	10/1998	Collins	7,325,312 B1	2/2008	Janich
5,819,414 A	10/1998	Marifone	7,340,837 B1	3/2008	Busse
5,826,340 A	10/1998	Hull	7,340,838 B2	3/2008	Onion
5,964,036 A	10/1999	Centofante	7,367,089 B2	5/2008	Cooke et al.
D422,872 S	4/2000	Thiebold	7,421,751 B2	9/2008	Ruggiero
6,079,106 A	6/2000	Vallotton	7,437,822 B2	10/2008	Flagg et al.
6,101,724 A	8/2000	Halligan	D580,251 S	11/2008	Watson
6,122,829 A	9/2000	McHenry et al.	7,451,545 B2	11/2008	Voros
6,145,202 A	11/2000	Onion	7,458,159 B2	12/2008	Galyean et al.
D441,827 S	5/2001	Frank	7,469,476 B2	12/2008	Demko
D442,459 S	5/2001	Wilkinson	7,506,446 B2	3/2009	Onion
6,256,888 B1	7/2001	Shuen	7,513,044 B2	4/2009	Lake
D446,571 S	8/2001	Frazer	7,513,045 B2	4/2009	Kain
6,276,063 B1	8/2001	Chen	7,555,839 B2	7/2009	Koelewyn
6,305,085 B1	10/2001	Stallegger et al.	7,562,454 B2	7/2009	Steigerwalt et al.
6,308,420 B1	10/2001	Moser	7,578,064 B2	8/2009	Busse
6,338,431 B1	1/2002	Onion	D602,326 S *	10/2009	Garcia D8/99
D454,611 S	3/2002	Veltz et al.	7,634,858 B1	12/2009	Frazer
6,360,443 B1	3/2002	Remus	7,647,701 B1	1/2010	Mollick et al.
6,363,615 B1	4/2002	Moser	7,676,932 B2	3/2010	Grice
6,378,214 B1	4/2002	Onion	RE41,259 E	4/2010	McHenry et al.
6,397,476 B1	6/2002	Onion	7,698,821 B2	4/2010	Ralph
6,427,334 B2	8/2002	Onion	7,748,122 B2	7/2010	Duey
6,427,335 B1	8/2002	Ralph	7,752,759 B2	7/2010	Perreault
			D621,678 S	8/2010	Huang
			D622,805 S	8/2010	Bloch
			7,774,939 B1	8/2010	Onion
			7,774,940 B2	8/2010	Frank

(56)

References Cited

U.S. PATENT DOCUMENTS

7,779,497 B2	8/2010	Chiu et al.		2002/0066187 A1	6/2002	Jennings	
7,814,664 B2 *	10/2010	LeBlanc	B26B 1/042	2002/0104220 A1	8/2002	Marfione	
			30/161	2004/0020058 A1	2/2004	Vallotton	
7,827,697 B2	11/2010	Lake		2004/0103541 A1	6/2004	Scarla	
7,854,067 B2	12/2010	Lake		2004/0134075 A1	7/2004	Chu	
7,913,398 B2	3/2011	Chu		2004/0154169 A1	8/2004	McCann	
D636,052 S	4/2011	Freeman et al.		2004/0226174 A1	11/2004	Etter et al.	
7,918,028 B2	4/2011	Steigerwalt et al.		2005/0044717 A1	3/2005	Nishihara	
D638,904 S	5/2011	Freeman et al.		2005/0072004 A1	4/2005	Carter, III	
7,979,990 B2	7/2011	Hawk et al.		2005/0097755 A1	5/2005	Galyean et al.	
D642,888 S	8/2011	Port et al.		2005/0172497 A1	8/2005	Linn et al.	
8,021,216 B1	9/2011	Moore		2006/0064877 A1	3/2006	Vallotton et al.	
8,028,419 B2	10/2011	VanHoy		2006/0080841 A1	4/2006	Hatcher et al.	
8,037,612 B2	10/2011	Hansen et al.		2006/0248728 A1	11/2006	Gibbs	
8,042,276 B2	10/2011	Lerch et al.		2007/0056169 A1	3/2007	Cheng	
RE42,906 E	11/2011	Onion		2007/0068002 A1	3/2007	Onion	
8,046,923 B2	11/2011	Liu		2007/0125565 A1	6/2007	Etter et al.	
D653,520 S	2/2012	Chang		2008/0028903 A1	2/2008	Greenberg	
8,112,894 B2	2/2012	Caswell		2008/0201953 A1	8/2008	Bremer et al.	
D657,435 S	4/2012	Wilke		2008/0222896 A1	9/2008	Marfione et al.	
8,161,653 B2	4/2012	Nenadic		2008/0276462 A1	11/2008	Kao	
D660,676 S	5/2012	Yang-Fu		2009/0013537 A1	1/2009	Kao	
8,171,645 B2	5/2012	Duey		2009/0144986 A1	6/2009	Frazer	
8,186,065 B2	5/2012	Onion		2009/0193664 A1	8/2009	Galyean	
8,215,021 B2	7/2012	Seber et al.		2009/0217533 A1	9/2009	Kao	
8,286,356 B1	10/2012	Mollick et al.		2010/0083507 A1	4/2010	Glesser	
8,291,597 B2	10/2012	Hawk et al.		2010/0101095 A1	4/2010	Prasetya	
8,296,958 B1	10/2012	Frazer		2010/0192381 A1	8/2010	Sakai	
8,375,589 B2	2/2013	Bermer et al.		2010/0212163 A1	8/2010	Liu	
D691,018 S *	10/2013	Robinson	D8/99	2010/0275449 A1	11/2010	Collard et al.	
D699,090 S *	2/2014	Kalajyan	D8/99	2010/0299934 A1	12/2010	VanHoy	
D703,509 S	4/2014	Hyma		2011/0010947 A1	1/2011	Freeman	
D703,510 S	4/2014	Hyma		2011/0067246 A1	3/2011	Perez	
9,061,426 B2	6/2015	Harvey		2011/0099817 A1	5/2011	Duey	
D738,182 S *	9/2015	Parker	D8/99	2012/0144677 A1	6/2012	Chang	
9,352,473 B2	5/2016	Harvey		2012/0159789 A9	6/2012	Frazer	
10,144,139 B2 *	12/2018	Squiers	B26B 5/00	2012/0234142 A1	9/2012	Onion	
D881,667 S *	4/2020	Han	D8/99	2013/0000129 A1	1/2013	Huang	
				2014/0373364 A1 *	12/2014	Li	B26B 1/02
							30/152

* cited by examiner

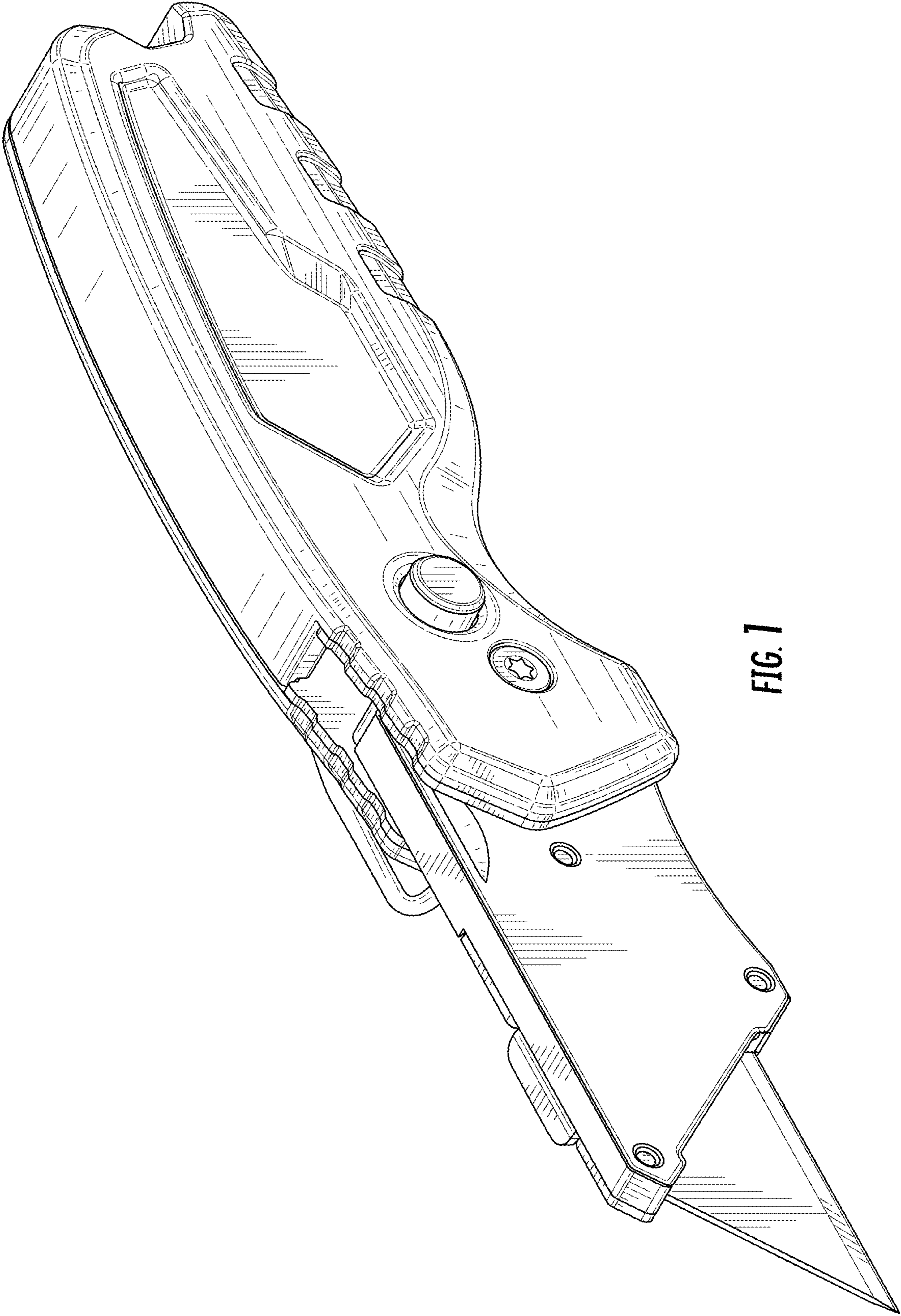


FIG. 1

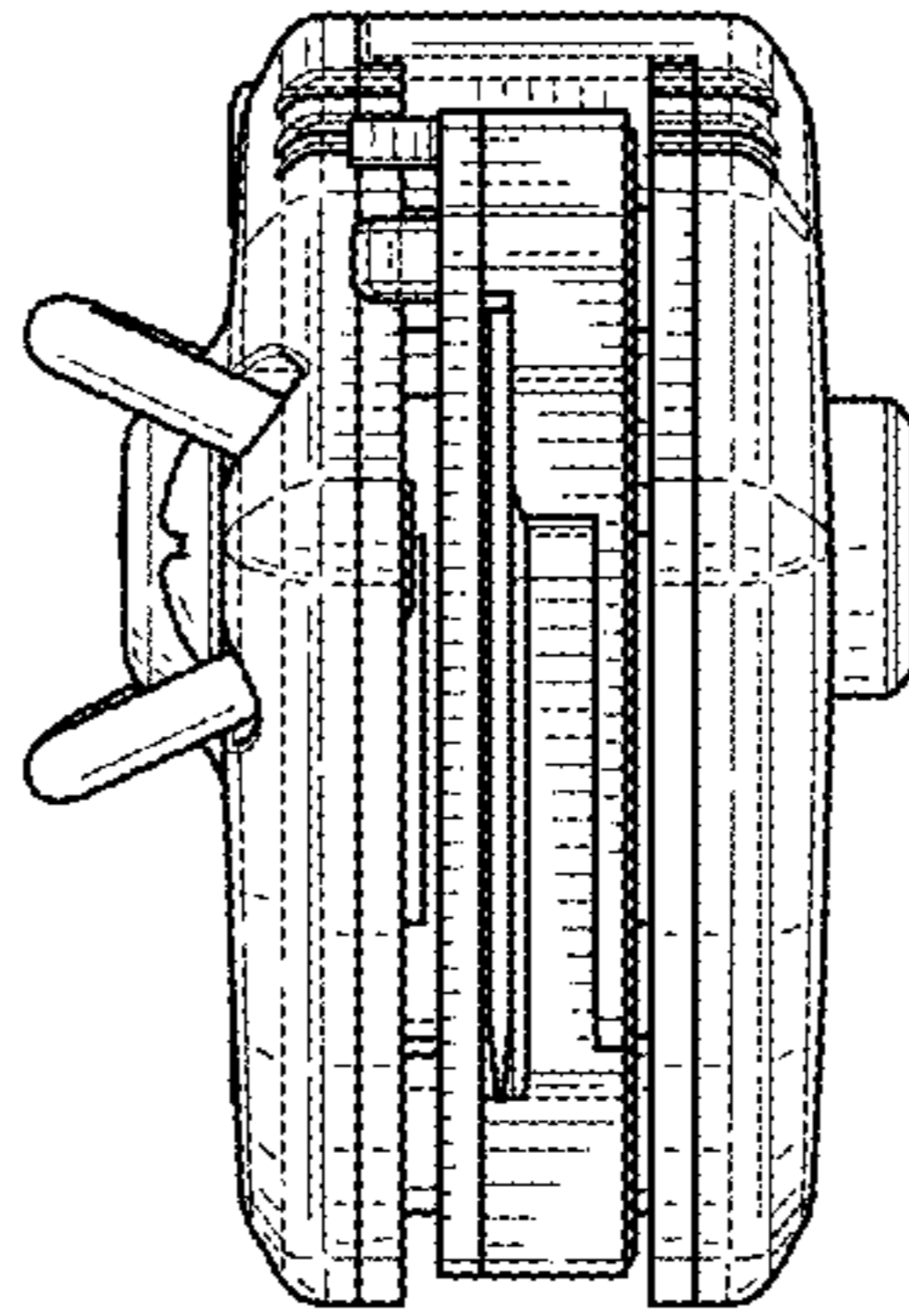


FIG. 2

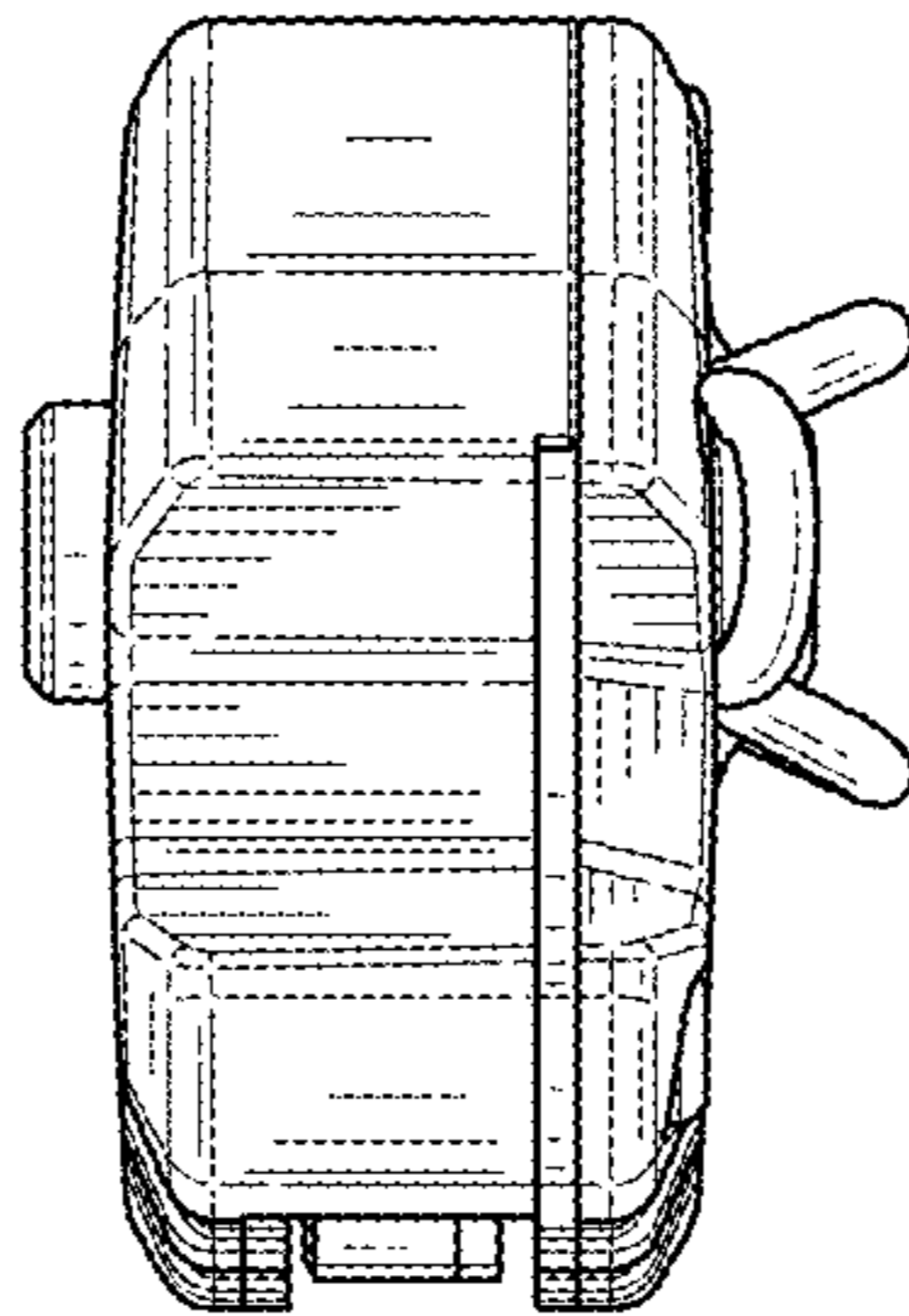


FIG. 3

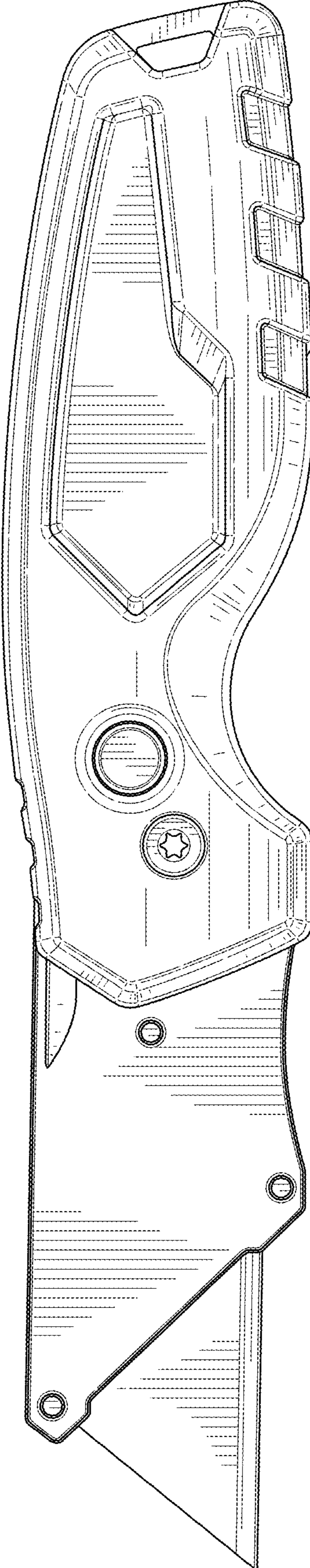


FIG. 4

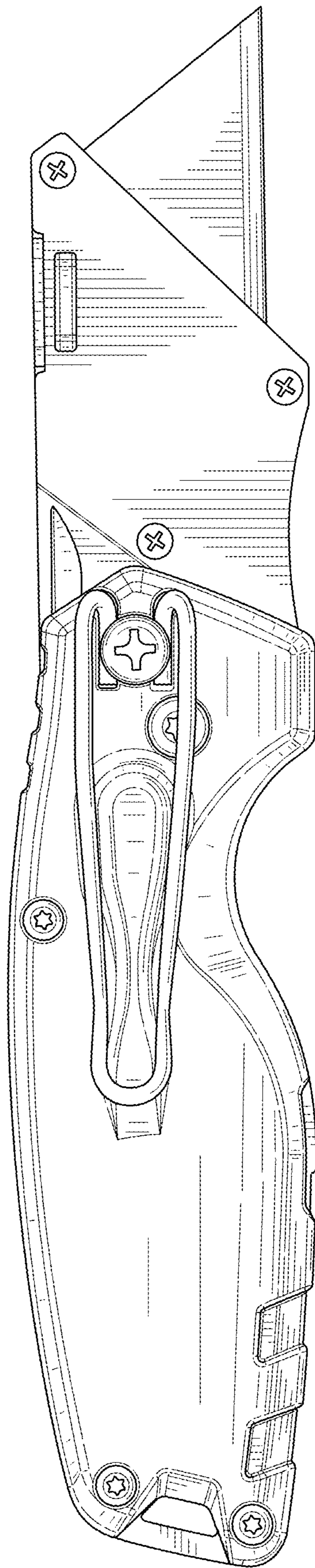


FIG. 5

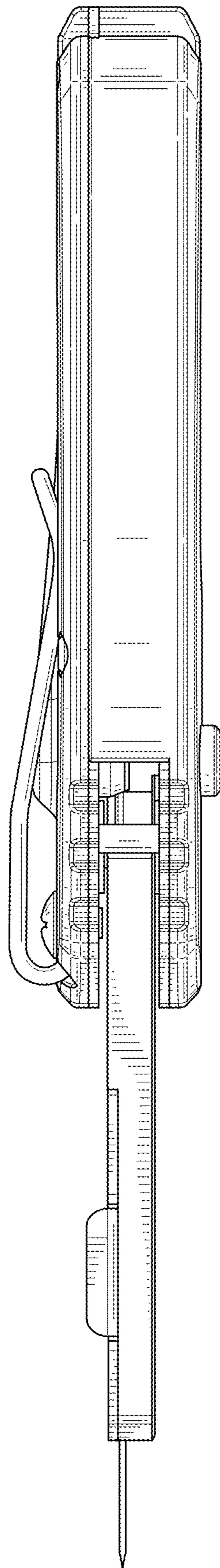


FIG. 6

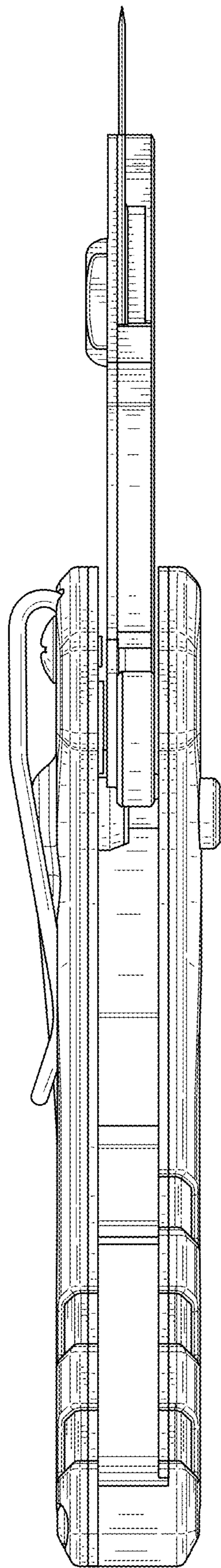


FIG. 7

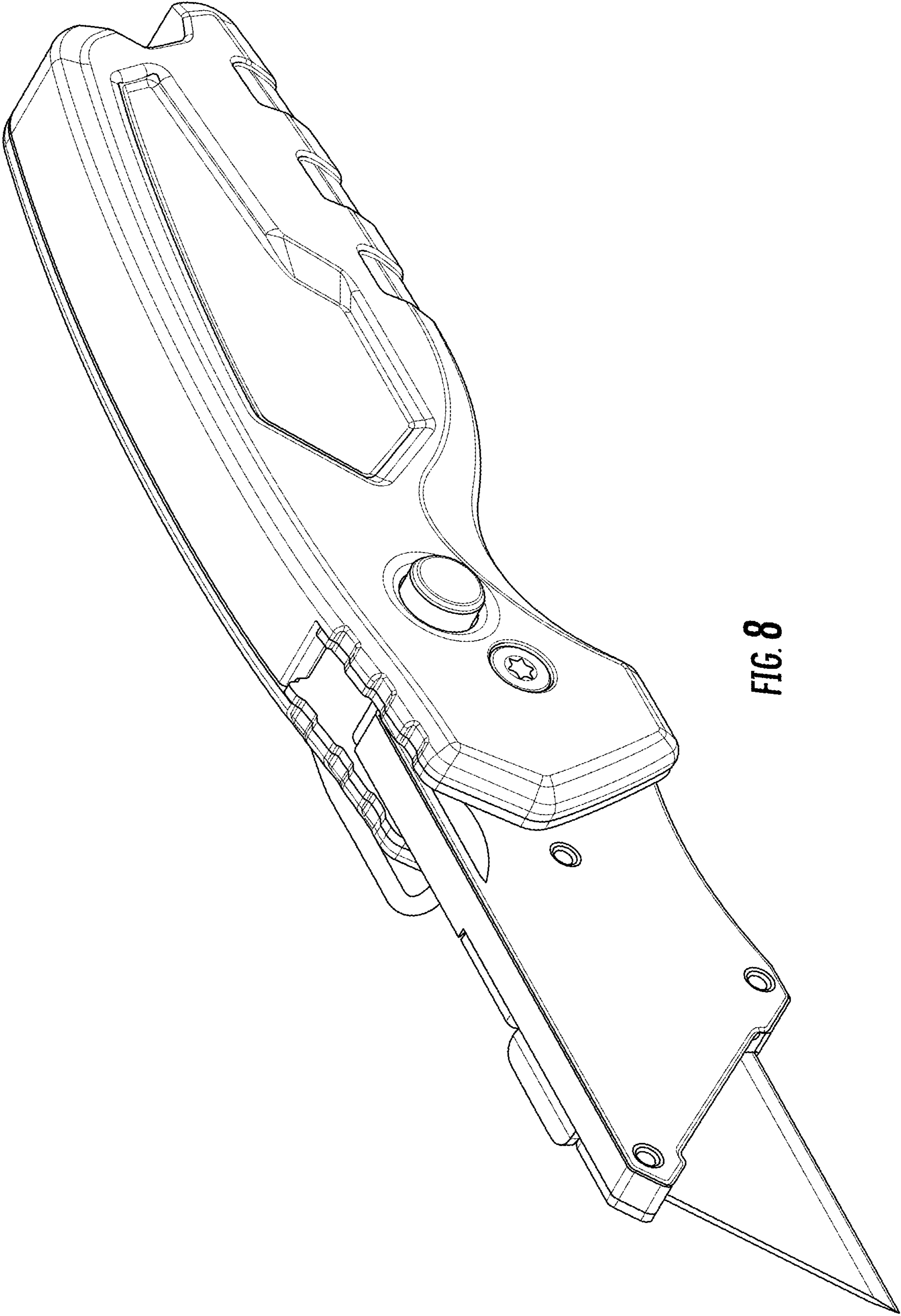


FIG. 8

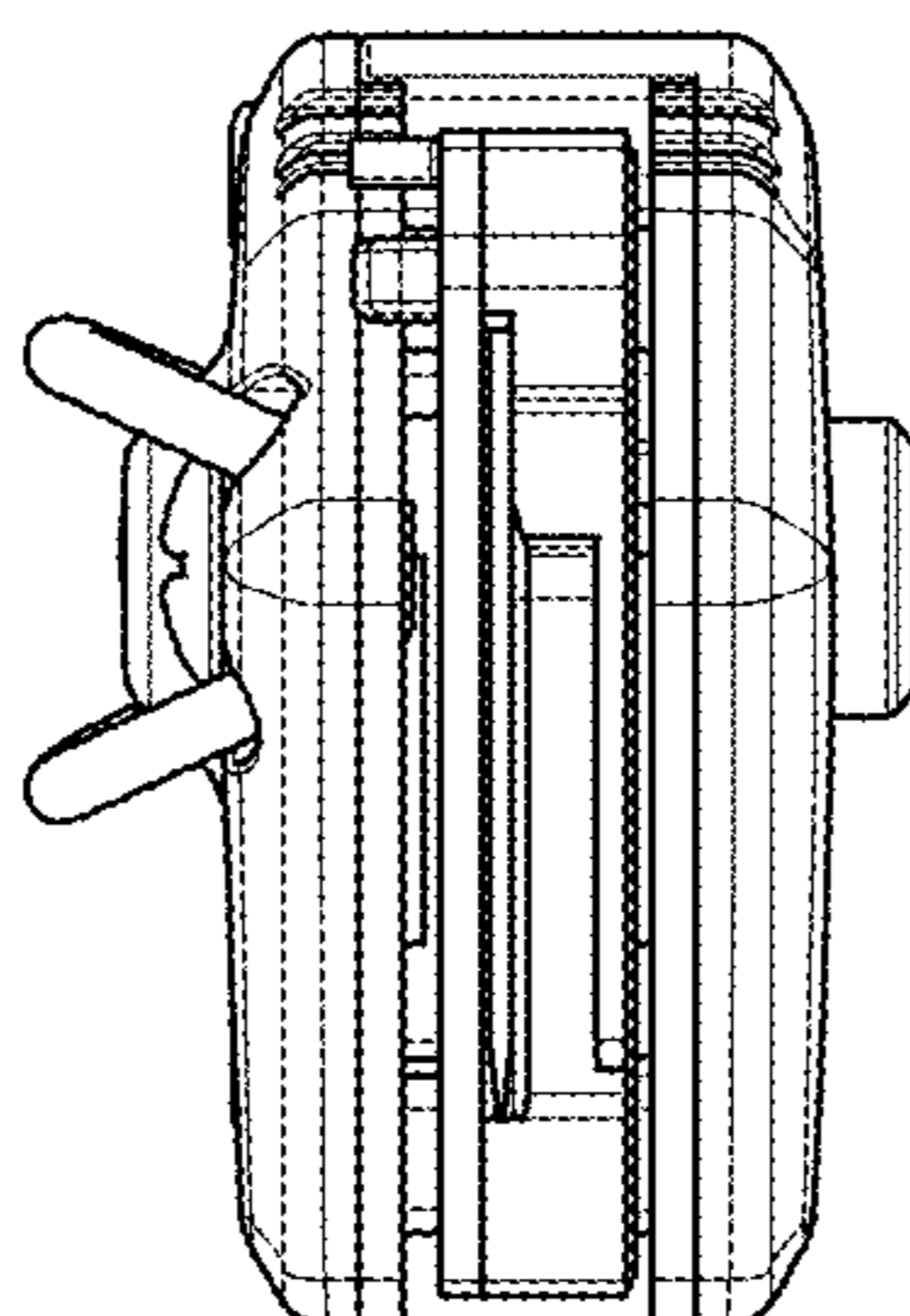


FIG. 9

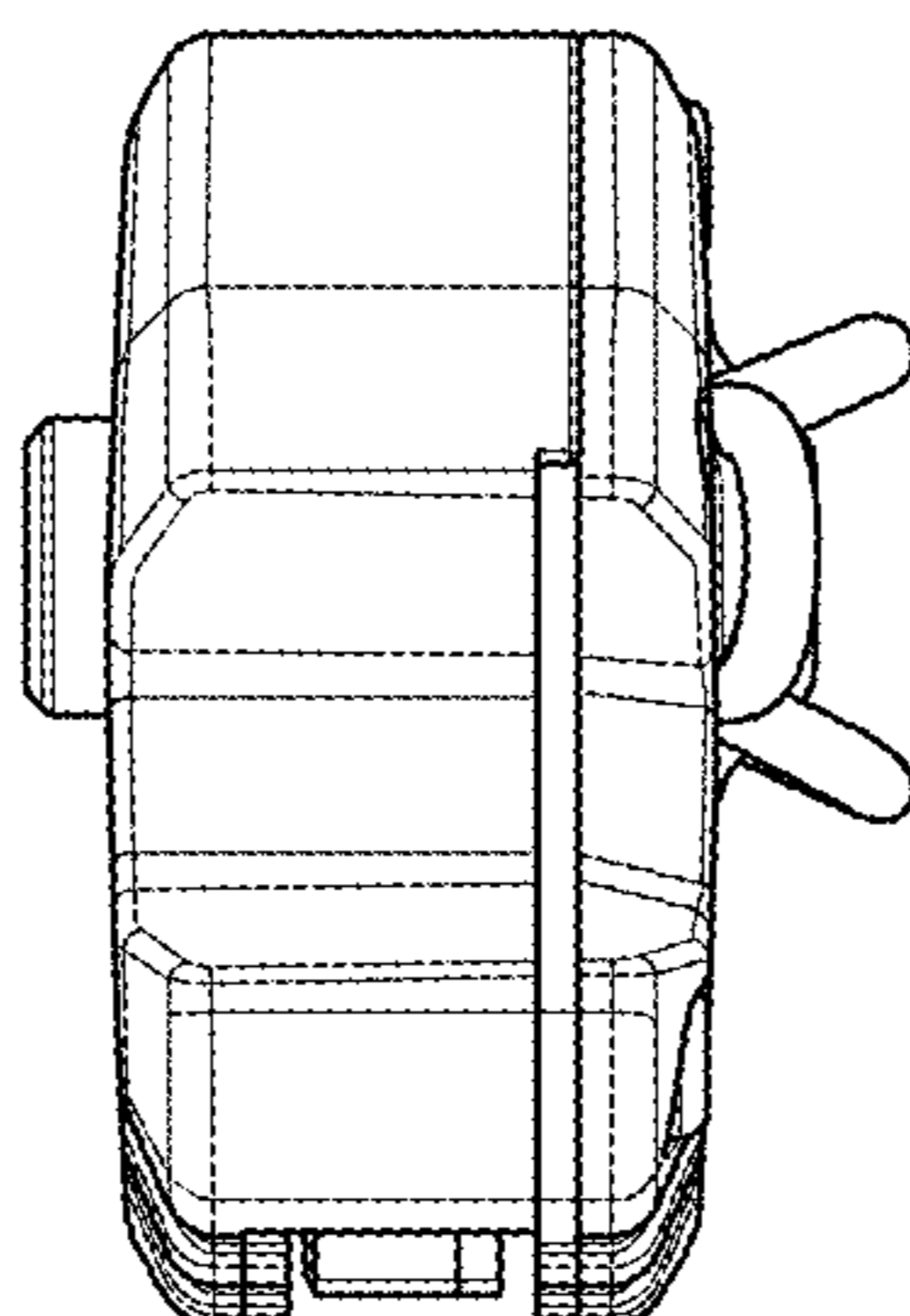


FIG. 10

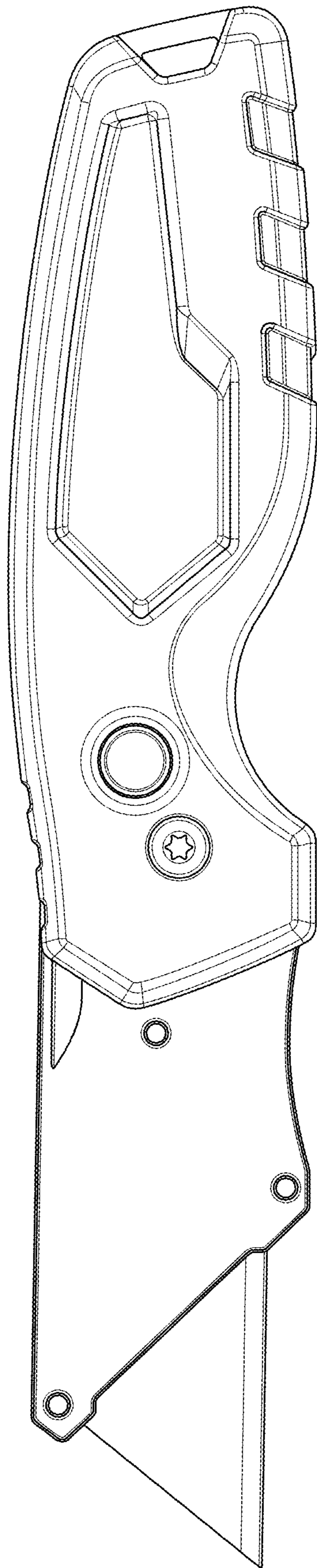


FIG. 11

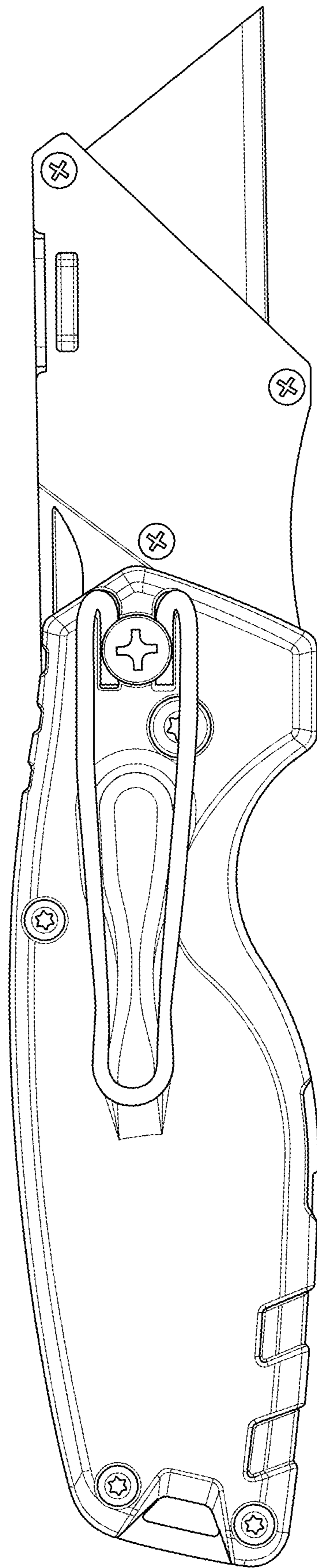


FIG. 12

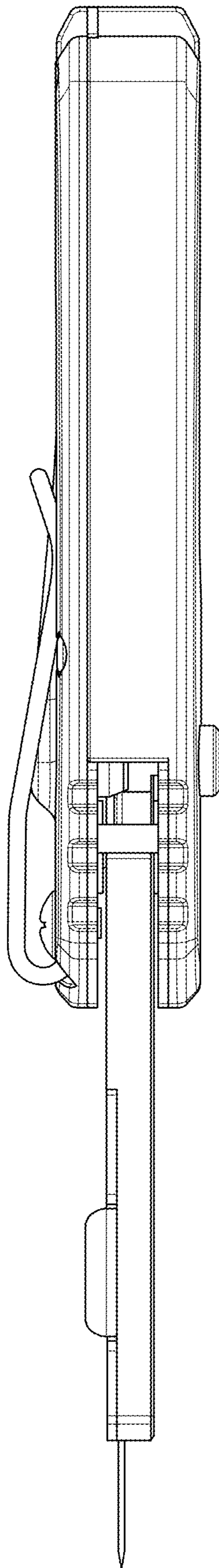


FIG. 13

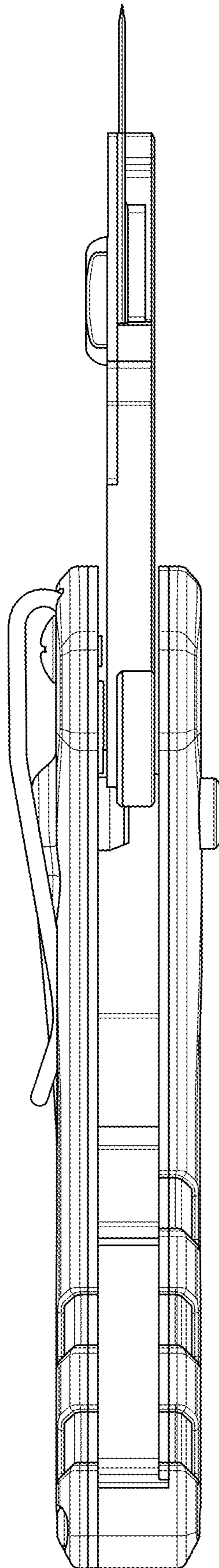


FIG. 14