

US00D925318S

(12) **United States Design Patent**
Valentini

(10) **Patent No.:** **US D925,318 S**
(45) **Date of Patent:** **** Jul. 20, 2021**

(54) **DELTA SHAPED BACKING PAD WITH DOVE-TAIL**

(71) Applicant: **Guido Valentini**, Milan (IT)

(72) Inventor: **Guido Valentini**, Milan (IT)

(**) Term: **15 Years**

(21) Appl. No.: **29/703,249**

(22) Filed: **Aug. 26, 2019**

(30) **Foreign Application Priority Data**

Feb. 28, 2019 (EM) 006270658

(51) **LOC (13) Cl.** **08-05**

(52) **U.S. Cl.**
USPC **D8/70; D8/20**

(58) **Field of Classification Search**
USPC D8/20, 61, 62, 63, 70, 90; D15/124, 125,
D15/126, 132, 138, 139, 140; D32/40
CPC . B24D 3/28; B24D 9/08; B24D 18/00; B24D
18/0027; B24B 37/24; B24B 37/26; B24B
55/102
See application file for complete search history.

(56) **References Cited**

U.S. PATENT DOCUMENTS

- 2,409,163 A * 10/1946 Stever B24D 9/08
451/511
- 2,815,618 A * 12/1957 Buliga B24D 9/08
451/511
- 3,510,992 A * 5/1970 Hutchins B24D 9/08
451/510
- 5,313,746 A * 5/1994 Zarriello B24D 15/023
451/522
- D355,105 S * 2/1995 Nemazi D32/40
- 5,470,272 A * 11/1995 Kikuchi B24B 23/04
451/344
- 5,491,896 A * 2/1996 Stolzer B24B 23/04
15/236.01

- 5,558,569 A * 9/1996 Lee B24B 23/04
451/342
- 5,791,975 A * 8/1998 Cesna B24B 37/30
451/285
- 5,839,949 A * 11/1998 Martin B24B 23/04
451/356
- D409,890 S * 5/1999 Longstaff D8/90
(Continued)

OTHER PUBLICATIONS

Aida Vasquez. "11 Best Oscillating Tools Right Now | Buyer's Guide and Review." Architecture Lab., Mar. 25, 2020 [online], [retrieved on Mar. 31, 2021]. Retrieved from the Internet <URL: <https://www.architecturelab.net/best-oscillating-tool/>>.*

(Continued)

Primary Examiner — Darlington Ly

(74) *Attorney, Agent, or Firm* — Ware, Fressola, Maguire & Barber LLP

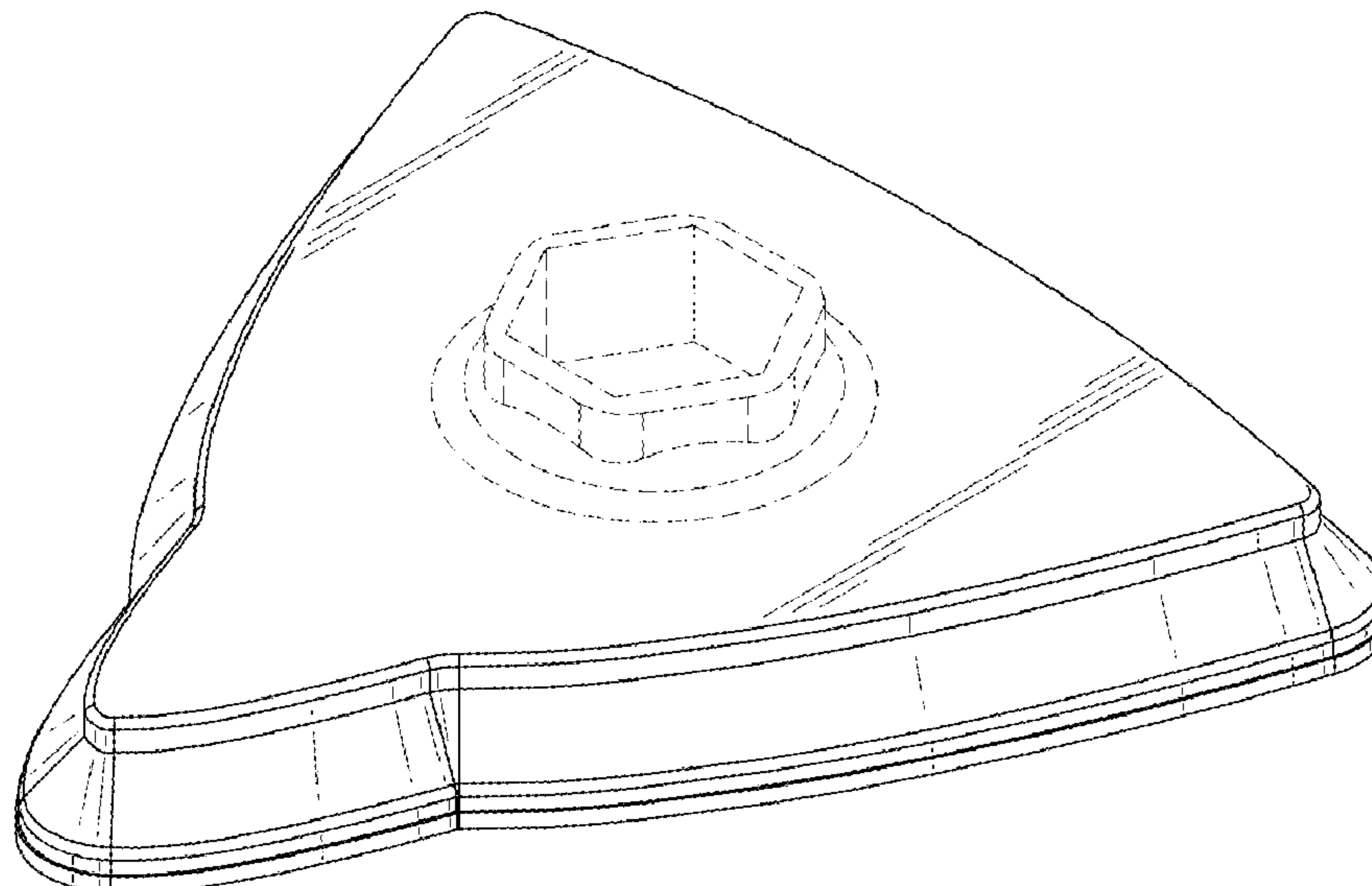
(57) **CLAIM**

The ornamental design for delta shaped backing pad with dove-tail, as shown and described.

DESCRIPTION

FIG. 1 is a top and front perspective view of a delta shaped backing pad with dove-tail embodying my new design; FIG. 2 is a top and rear perspective view thereof; FIG. 3 is a front elevation view thereof; FIG. 4 is a rear elevation view thereof; FIG. 5 is a right side elevation view thereof, to which the left side elevation view is a mirror image thereof; FIG. 6 is a top plan view thereof; and, FIG. 7 is a bottom plan view thereof. The broken lines in the drawings illustrate portions of the delta shaped backing pad with dove-tail that form no part of the claimed design.

1 Claim, 3 Drawing Sheets



(56)

References Cited

U.S. PATENT DOCUMENTS

6,004,194 A * 12/1999 Hild B24B 45/006
451/344
6,099,397 A * 8/2000 Wurst B24D 9/08
451/163
D447,038 S * 8/2001 Netzler D8/62
6,306,024 B1 * 10/2001 Kai B24B 23/03
451/357
6,699,112 B2 * 3/2004 Bergner B24B 23/00
451/356
D511,954 S * 11/2005 Heun D8/62
D524,628 S * 7/2006 Shermer D8/90
D539,107 S * 3/2007 Chu D8/62
D554,309 S * 10/2007 Wolk D32/40
7,313,838 B2 * 1/2008 Long A47L 11/125
15/22.2
7,736,216 B2 * 6/2010 King B24D 7/066
451/357
D628,218 S * 11/2010 Tommassini D15/138
D669,754 S * 10/2012 Wackwitz D8/70
D691,013 S * 10/2013 Campbell D8/70
D710,669 S * 8/2014 Campbell D8/90
D734,116 S * 7/2015 Wong D8/90
D813,624 S * 3/2018 Gopi D8/20
10,124,461 B2 * 11/2018 Kuehne B24B 45/006
D866,107 S * 11/2019 Mendez D32/40

2008/0029134 A1* 2/2008 Long A47L 11/065
134/115 R
2008/0057846 A1* 3/2008 Schumacher B24B 45/00
451/548
2010/0009613 A1* 1/2010 Frueh B24B 45/00
451/559

OTHER PUBLICATIONS

Festool 496803 Thin / Extended Triangular Delta Sanding Pad, printed Apr. 8, 2020. www.festoolproducts.com.
Bosch Delta Backing Pad PMF190 PMF190E PMF 190 E, printed Apr. 8, 2020. www.ebay.com.
Bosch AVI 93 G—93 mm Sanding Plate 2608000493, printed Apr. 8, 2020. www.cthardware.com.
Addax Delta Sanding BackingPad for Multi Tool 93mm, printed Apr. 8, 2020. www.cooksonhardware.com.
Proxxon Delta sander OZI/E, replacement velcro backing pad, Apr. 8, 2020. www.mytoolstore.com.au.
Makita B-46202 Backing Pad Velcro 78mm, TM3000, printed Apr. 8, 2020. www.wood.tools4.co.za.
Black and Decker Sa Platen With Bearing #DWB-90604245, printed Apr. 8, 2020. www.partswarehouse.com.
Multi-Tool Sanding Pad, printed Apr. 8, 2020. www.milwaukeeetool.com.
Fein 63806136220 Triangle Backing Pad Perforated for Sanding, printed Apr. 8, 2020. www.toolnut.com.

* cited by examiner

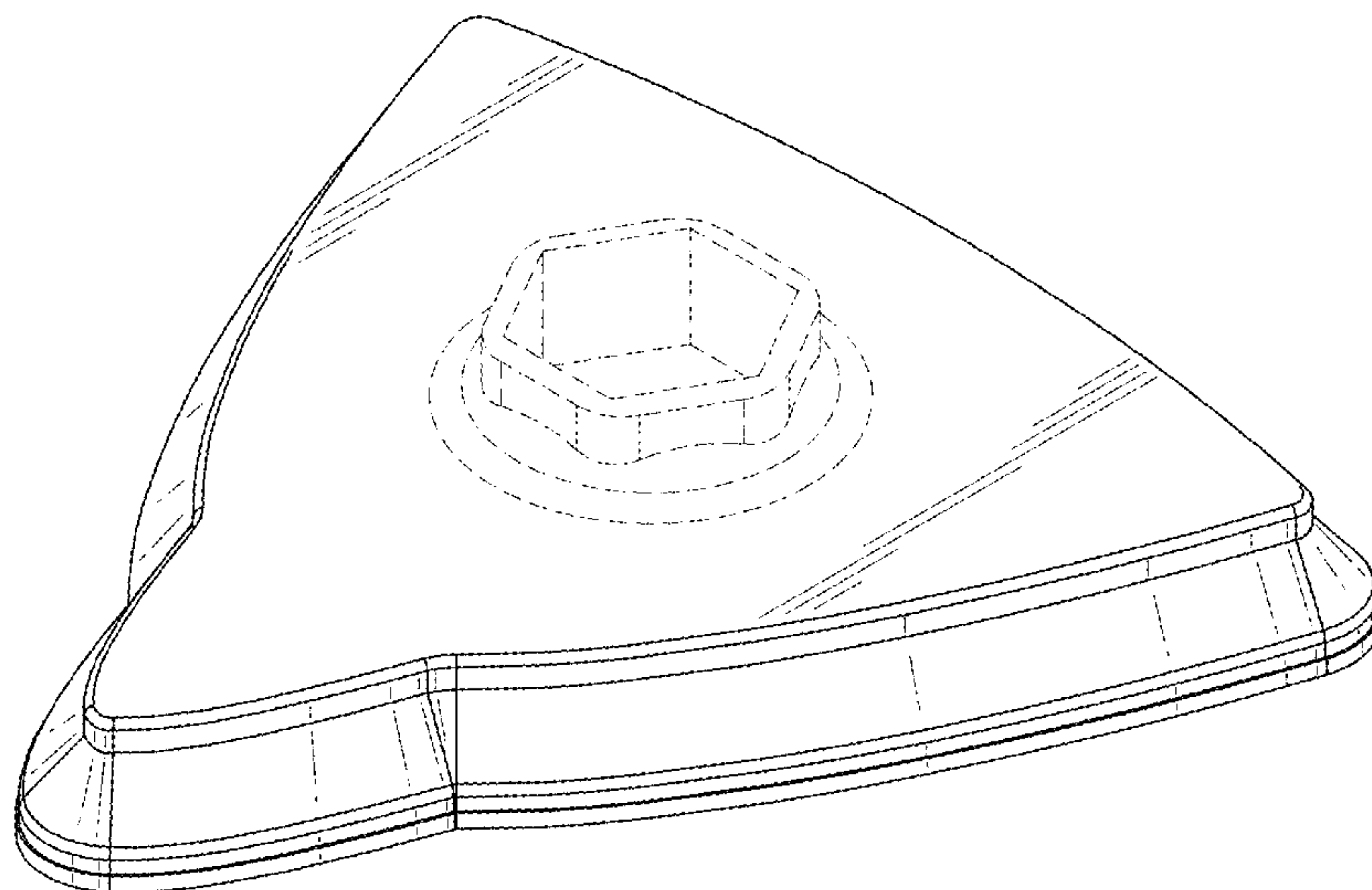


FIG. 1

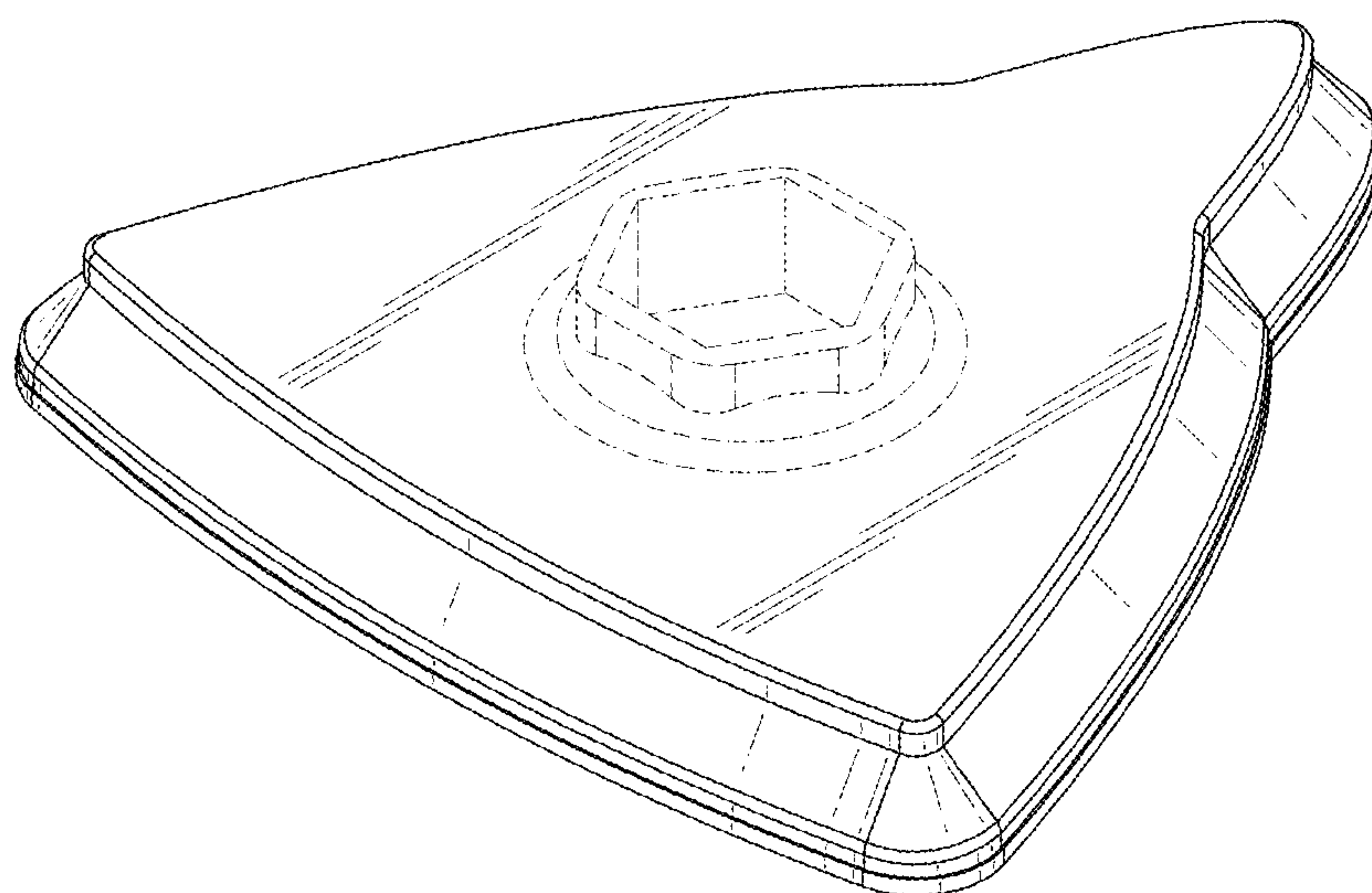


FIG. 2

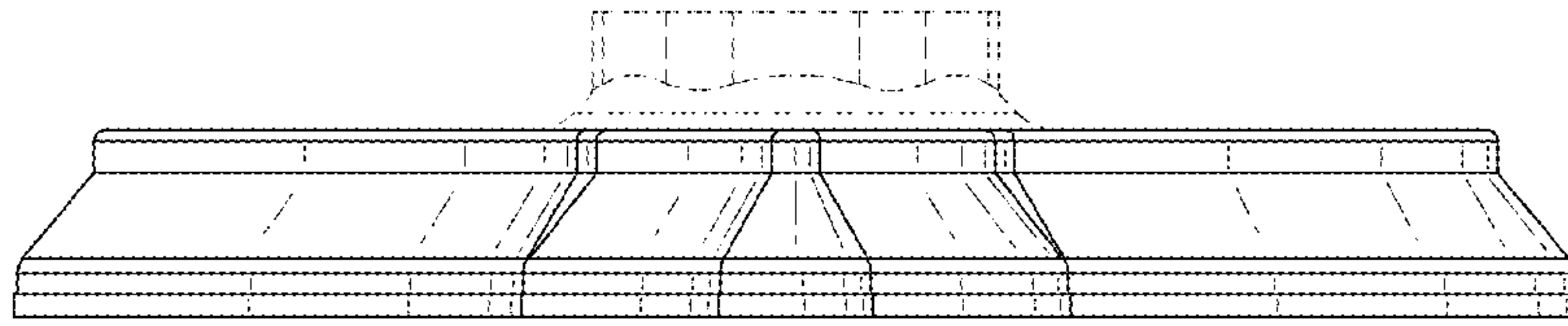


FIG. 3

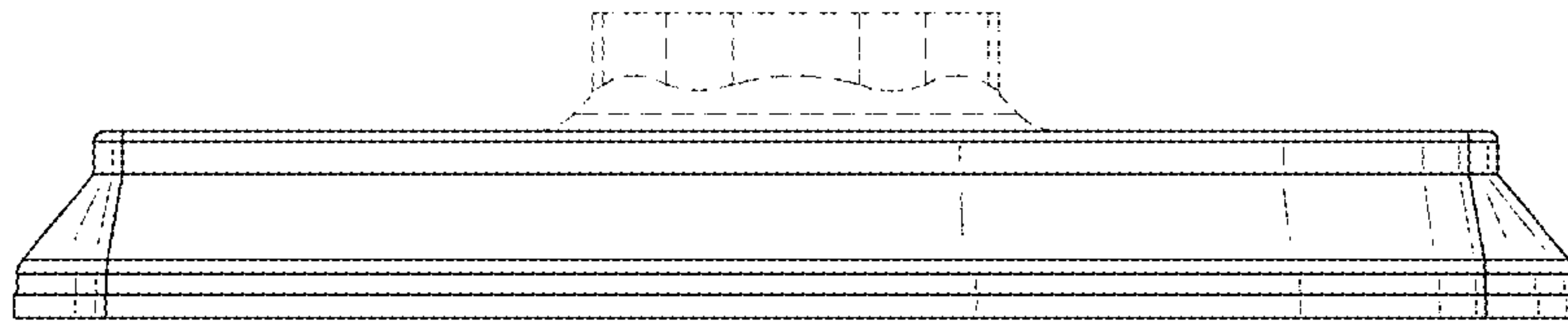


FIG. 4

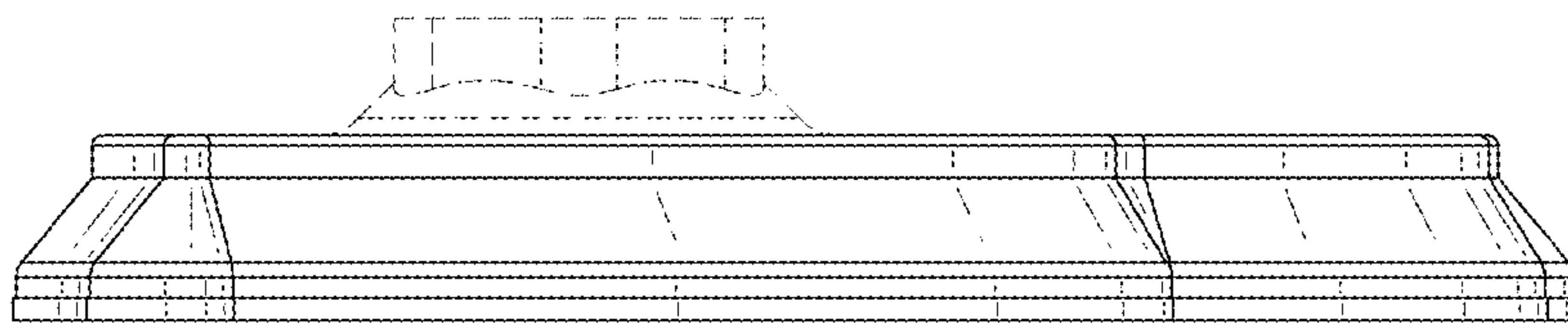


FIG. 5

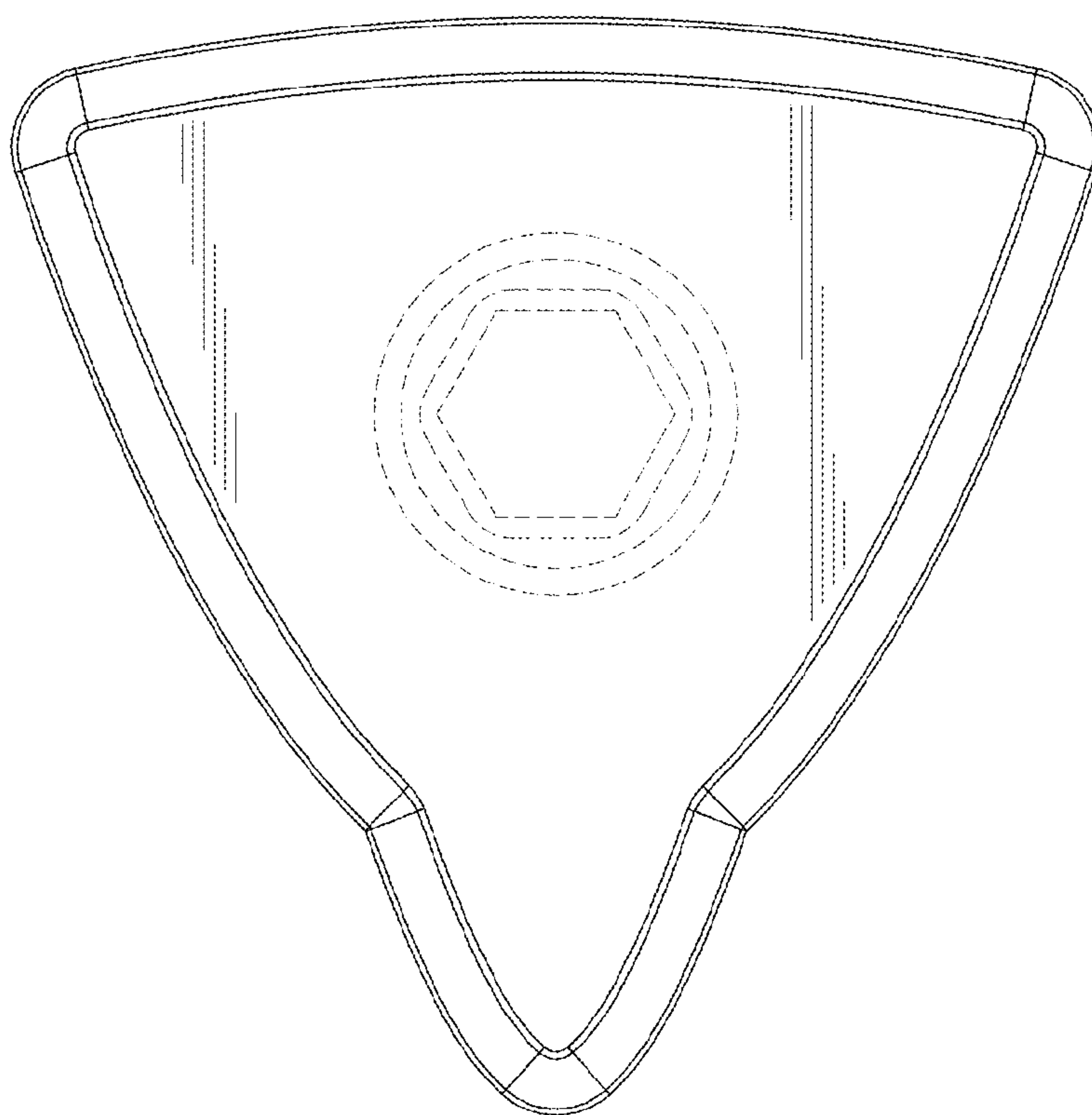


FIG. 6

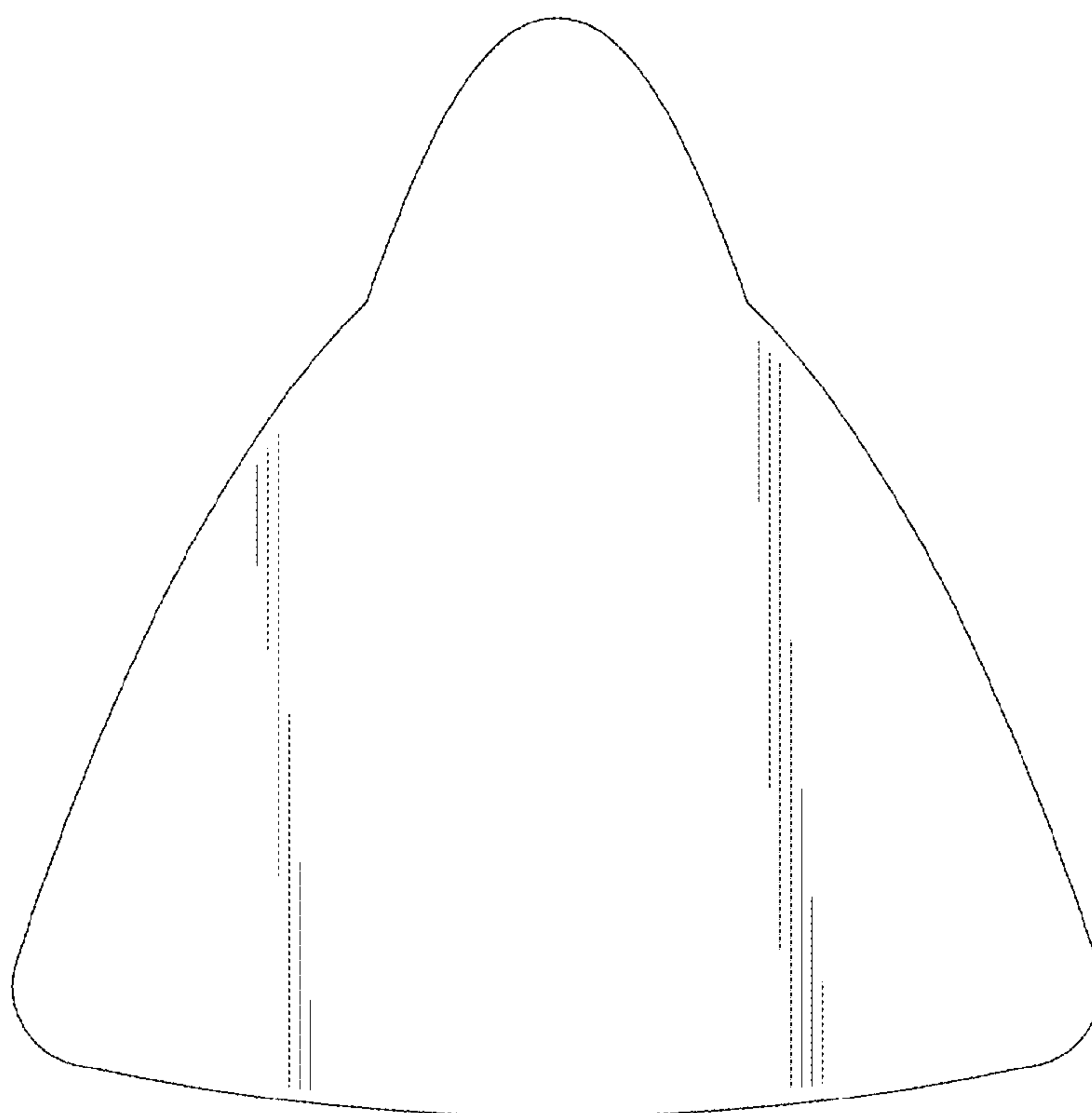


FIG. 7