



US00D925317S

(12) **United States Design Patent** (10) **Patent No.:** **US D925,317 S**
Kai et al. (45) **Date of Patent:** **** Jul. 20, 2021**

(54) **DENTAL BLOCK WITH HOLDER**
(71) Applicant: **SHOFU INC.**, Kyoto (JP)
(72) Inventors: **Tomohiro Kai**, Kyoto (JP); **Masayoshi Nishizawa**, Kyoto (JP)
(73) Assignee: **SHOFU INC.**, Kyoto (JP)
(**) Term: **15 Years**
(21) Appl. No.: **29/692,851**
(22) Filed: **May 29, 2019**
(51) **LOC (13) Cl.** **08-05**
(52) **U.S. Cl.**
USPC **D8/70**; D24/156
(58) **Field of Classification Search**
USPC D8/70, 71, 7, 354; D15/140, 143, 147;
D24/156
CPC . B25F 5/021; B25F 5/029; B27C 5/10; A61C
8/00; A61C 8/0089; A61C 8/0069; A61C
8/0054; A61C 8/0096; A61C 8/0039;
A61C 8/0063; A61C 8/006; A61C
8/0001; A61C 8/0012; A61C 8/0075;
A61C 8/0083; A61C 13/225
See application file for complete search history.

(56) **References Cited**
U.S. PATENT DOCUMENTS
D263,199 S * 3/1982 Lockie D8/71
D271,978 S * 12/1983 Bagby D15/138
D319,565 S * 9/1991 Krogsgaard D8/70
D329,182 S * 9/1992 Challis D15/140
5,664,913 A * 9/1997 Scholz B23B 49/02
408/115 B
D412,511 S * 8/1999 Lefevre D15/140
D420,688 S * 2/2000 Ichihara D15/143
D460,469 S * 7/2002 Yue D15/140
D467,485 S * 12/2002 Daniels D15/140
D488,696 S * 4/2004 Merritt D8/70

7,243,429 B2 * 7/2007 Landes H02G 1/1221
30/90.1
D623,034 S * 9/2010 Evatt D8/70
D646,542 S * 10/2011 Wackwitz D8/70
D653,523 S * 2/2012 Wackwitz D8/354
D665,242 S * 8/2012 Wackwitz D8/70
D682,651 S * 5/2013 McRoberts D8/70
D696,093 S * 12/2013 Mackay-Sim D8/70
D714,119 S * 9/2014 Graber D8/70
D738,178 S * 9/2015 Eisinger D8/70
D798,685 S * 10/2017 Matsui D8/70
D811,843 S * 3/2018 Matsui D8/70
2002/0022444 A1 * 2/2002 Littlefield B24B 23/00
451/353
2013/0149057 A1 * 6/2013 Nisikawa B23B 51/048
408/83

* cited by examiner
Primary Examiner — Charles D Hanson
(74) *Attorney, Agent, or Firm* — Rankin, Hill & Clark
LLP

(57) **CLAIM**
The ornamental design for a dental block with holder, as shown and described.

DESCRIPTION
FIG. 1 is a perspective view of a dental block with holder; FIG. 2 is a front side elevation view thereof; FIG. 3 is a rear side elevation view thereof; FIG. 4 is a right side elevation view thereof; FIG. 5 is a left side elevation view thereof; FIG. 6 is a top plan view thereof; FIG. 7 is a bottom view thereof; FIG. 8 is a sectional view thereof taken along the line 8-8 of FIG. 5; and, FIG. 9 is a sectional view thereof taken along the line 9-9 of FIG. 5.
The broken lines in the drawings depict portions that form no part of the claimed design.

1 Claim, 5 Drawing Sheets

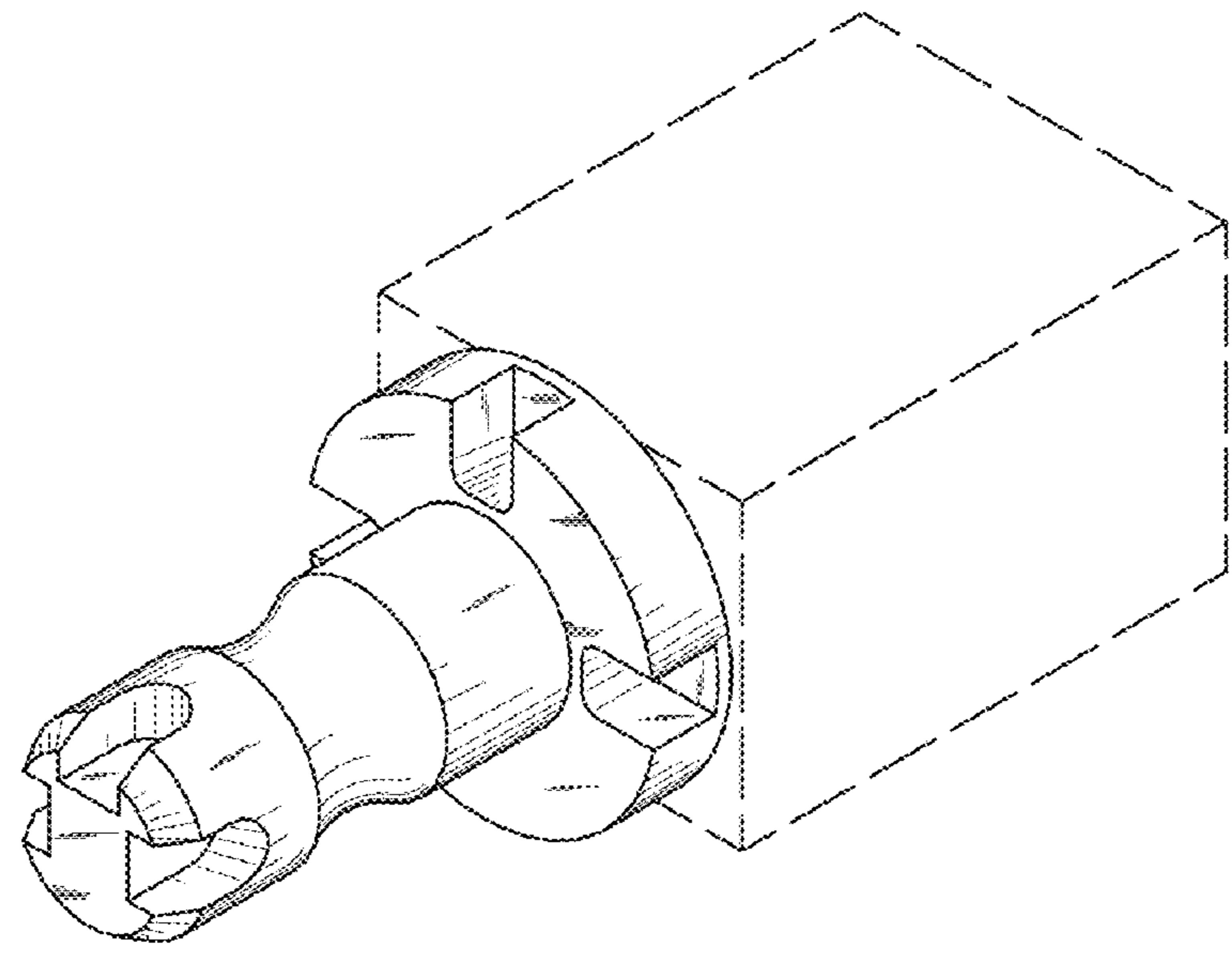


FIG.1

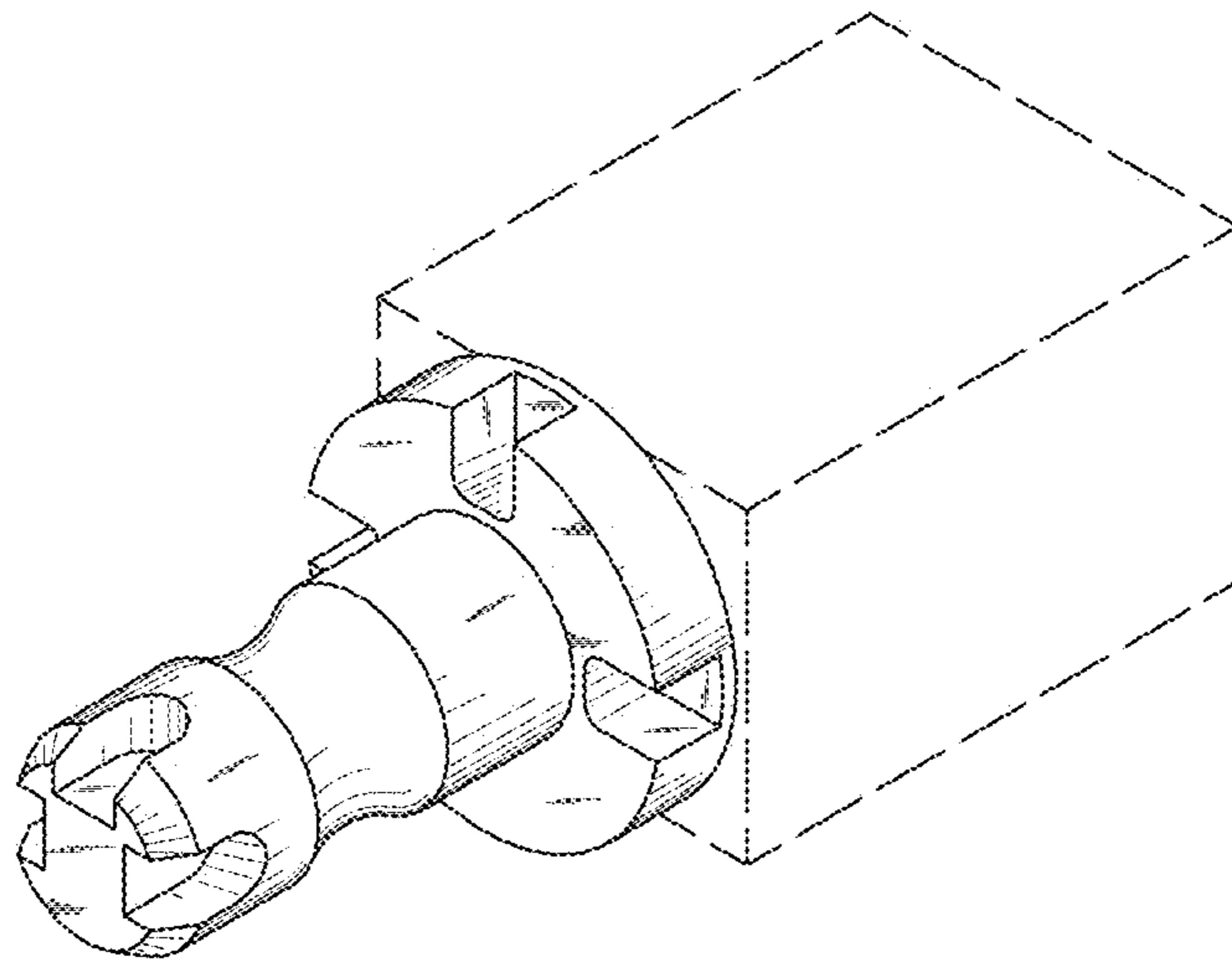


FIG.2

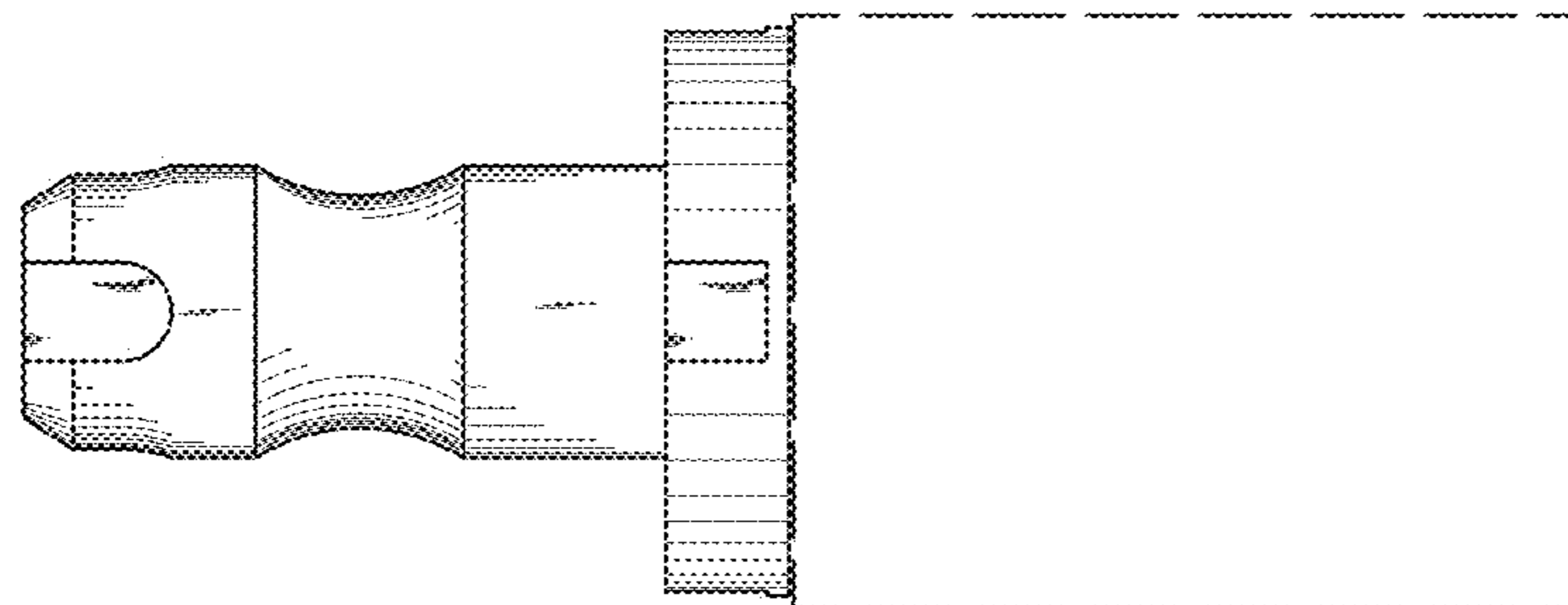


FIG.3

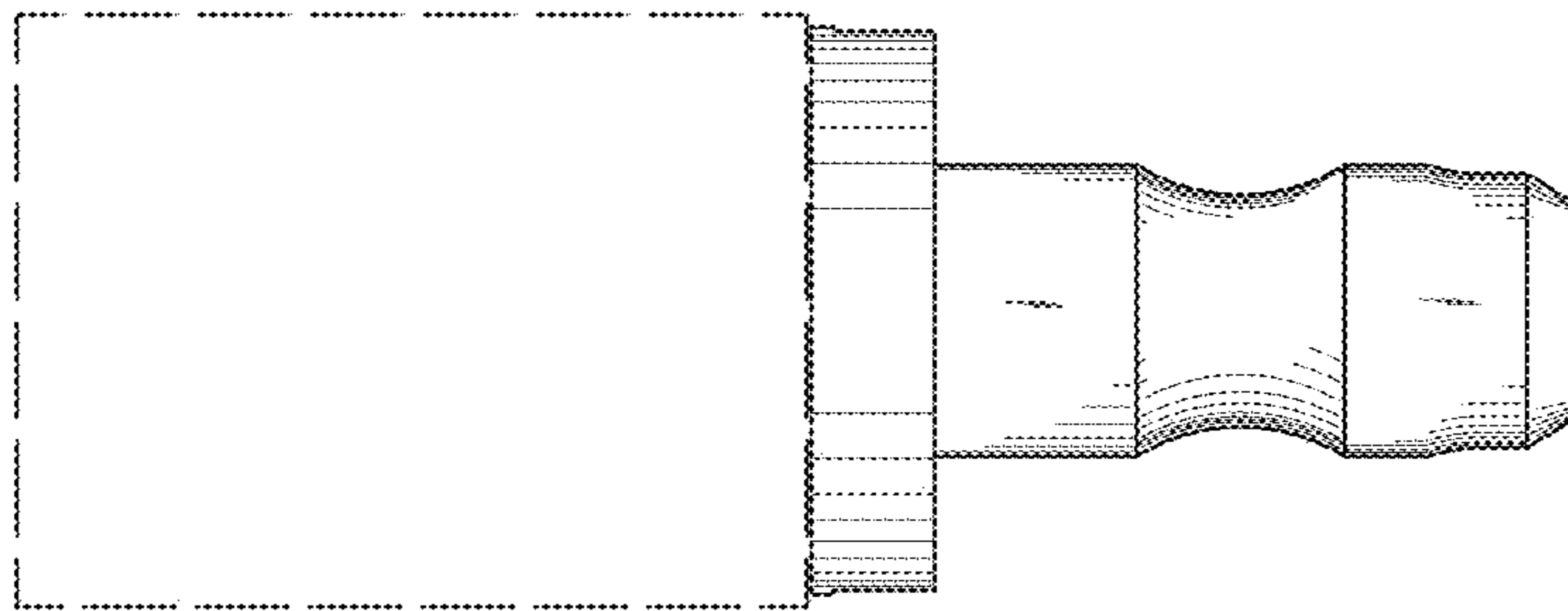


FIG.4

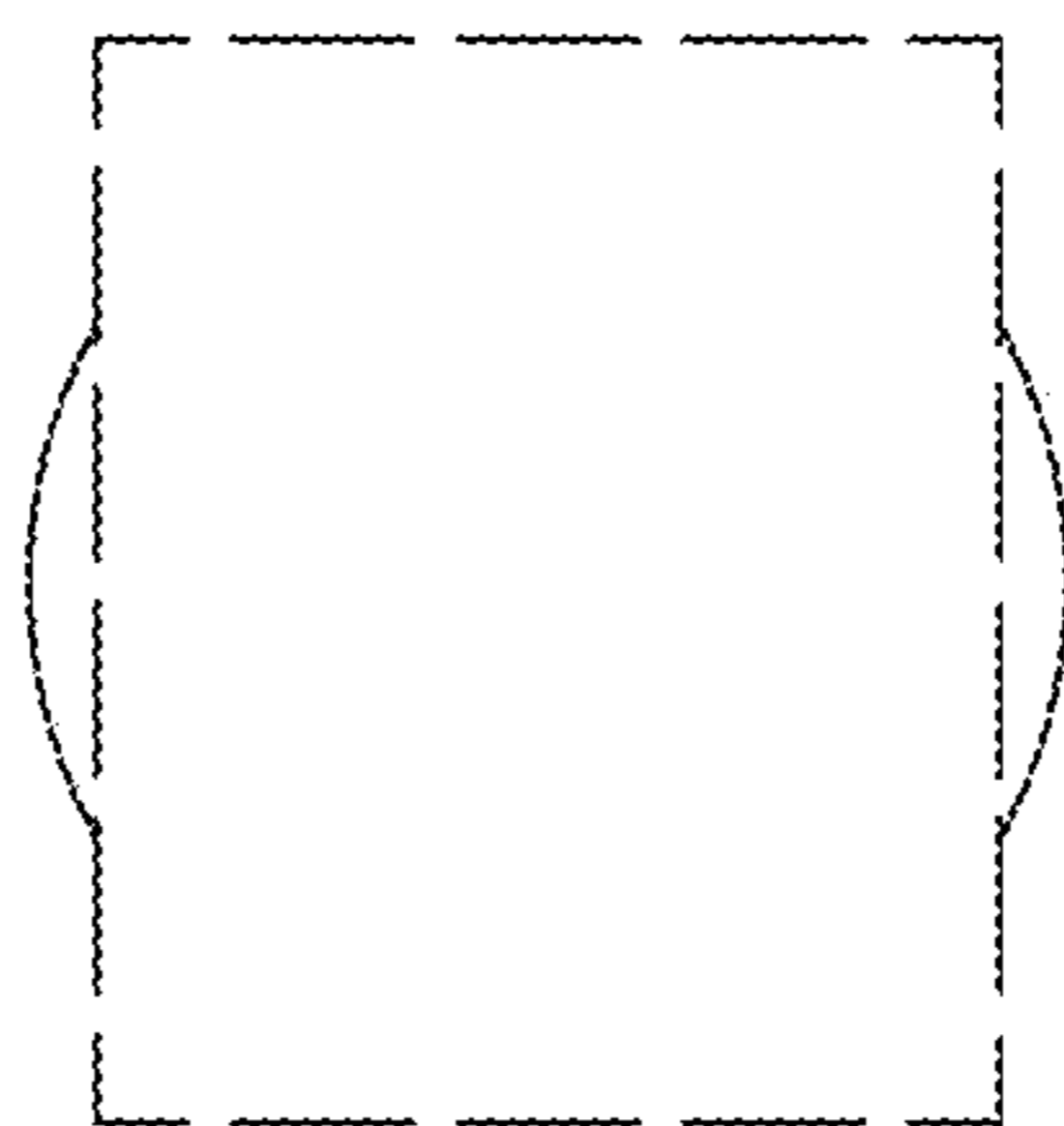


FIG.5

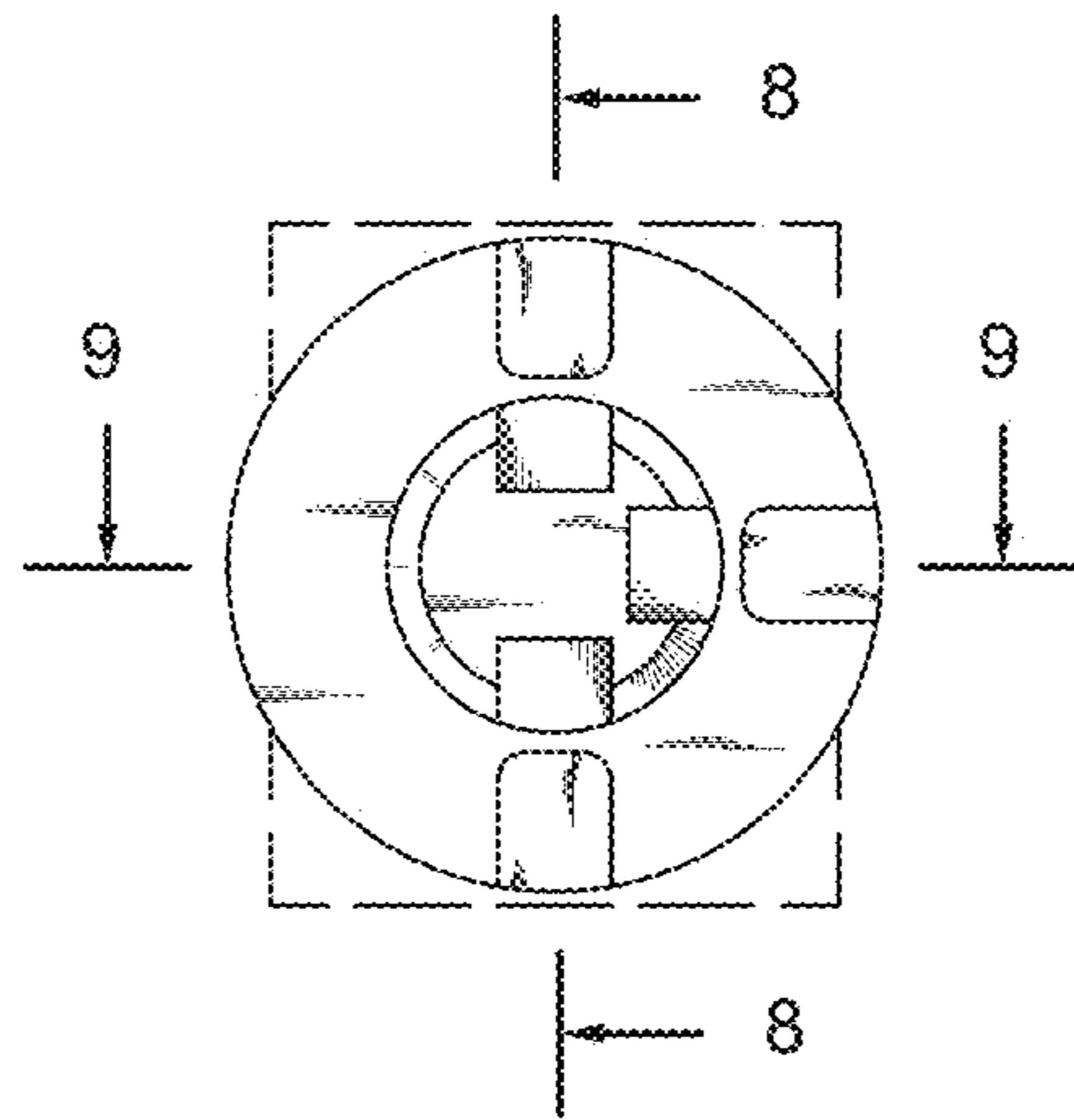


FIG.6

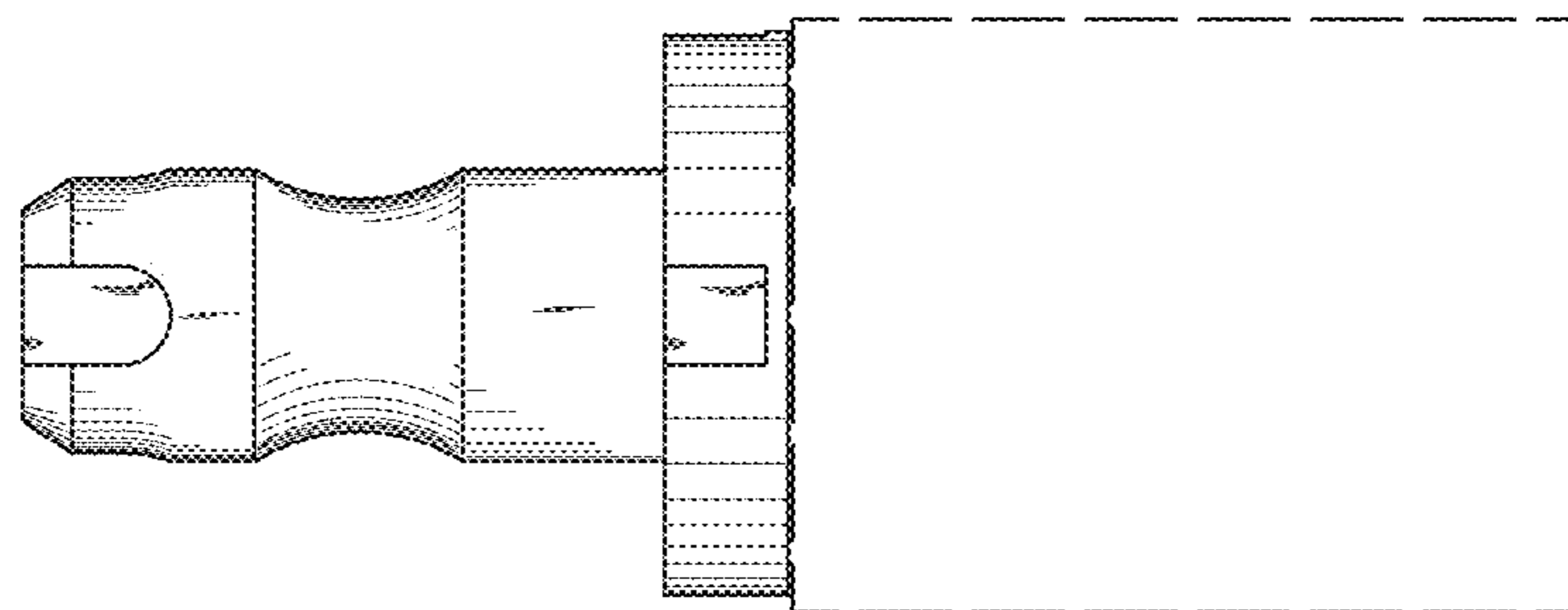


FIG.7

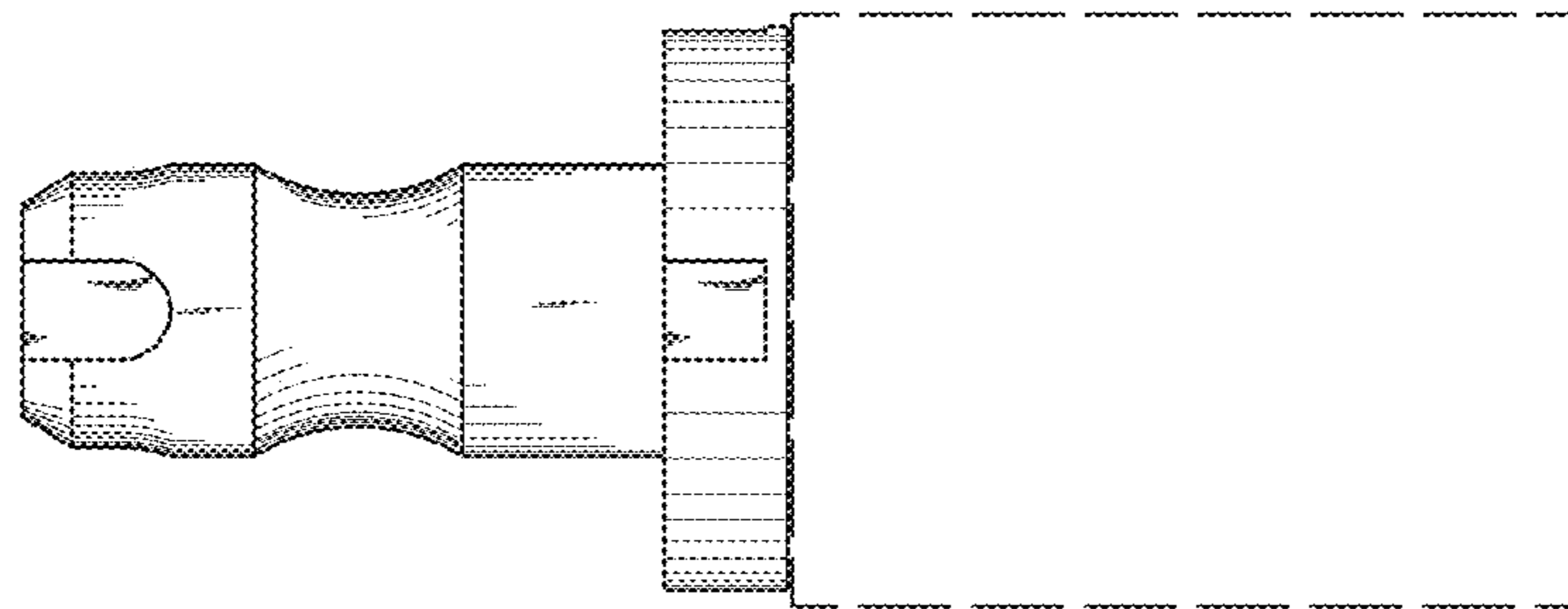


FIG.8

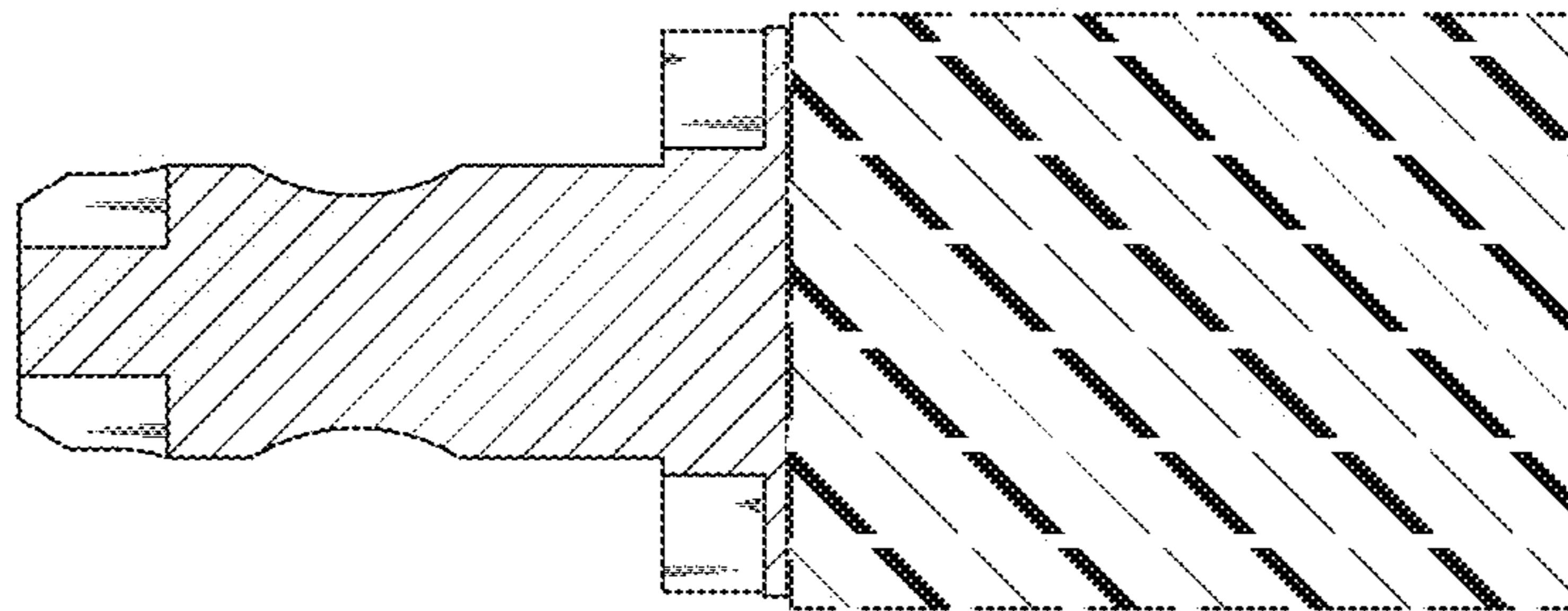


FIG.9

