



US00D925316S

(12) **United States Design Patent** (10) **Patent No.:** **US D925,316 S**  
**Matteo** (45) **Date of Patent:** **\*\* Jul. 20, 2021**

(54) **POWER TOOL**

(71) Applicant: **Harbor Freight Tools USA, Inc.**,  
Calabasas, CA (US)

(72) Inventor: **Michael Matteo**, Los Angeles, CA (US)

(73) Assignee: **Harbor Freight Tools USA, Inc.**,  
Calabasas, CA (US)

(\*\*) Term: **15 Years**

(21) Appl. No.: **29/721,427**

(22) Filed: **Jan. 21, 2020**

**Related U.S. Application Data**

(63) Continuation of application No. 29/688,109, filed on  
Apr. 18, 2019, now Pat. No. Des. 895,389.

(51) **LOC (13) Cl.** ..... **08-05**

(52) **U.S. Cl.**  
USPC ..... **D8/68**

(58) **Field of Classification Search**  
USPC ..... D8/61, 67, 68  
CPC .... B62D 23/005; B62D 29/00; B62D 29/043;  
B62D 31/00; B62D 33/046; B62D 35/00;  
B62D 35/001; B60Q 1/0005  
See application file for complete search history.

(56) **References Cited**

**U.S. PATENT DOCUMENTS**

- D460,674 S 7/2002 Heun
- D462,248 S 9/2002 Cooper
- D466,777 S \* 12/2002 Watson ..... D8/68
- D466,779 S \* 12/2002 Shibata ..... D8/68
- D466,781 S \* 12/2002 Matsuoka ..... D8/68
- D467,483 S 12/2002 Heun
- D479,456 S 9/2003 Murray et al.
- 6,729,413 B2 5/2004 Turner et al.
- D496,843 S 10/2004 Sugawara et al.
- D506,914 S 7/2005 Okuda

- D508,643 S \* 8/2005 Concari ..... D8/68
- D515,377 S \* 2/2006 Chung ..... D8/68
- D520,834 S 5/2006 Furuta et al.
- D525,848 S \* 8/2006 Kokawa ..... D8/68
- D527,971 S \* 9/2006 Kokawa ..... D8/68
- D536,944 S \* 2/2007 Tsai ..... D8/68

(Continued)

**FOREIGN PATENT DOCUMENTS**

CN 3609514 2/2007

**OTHER PUBLICATIONS**

Kenny Koehler. "Best Cordless Drill Reviews 2021." Pro Tool  
Reviews., Dec. 22, 2020 [online], [retrieved on May 21, 2021].  
Retrieved from the Internet <URL: <https://www.protoolreviews.com/best-cordless-drill-reviews/>>.\*

(Continued)

*Primary Examiner* — Darlington Ly

(74) *Attorney, Agent, or Firm* — McAndrews Held &  
Malloy, Ltd.

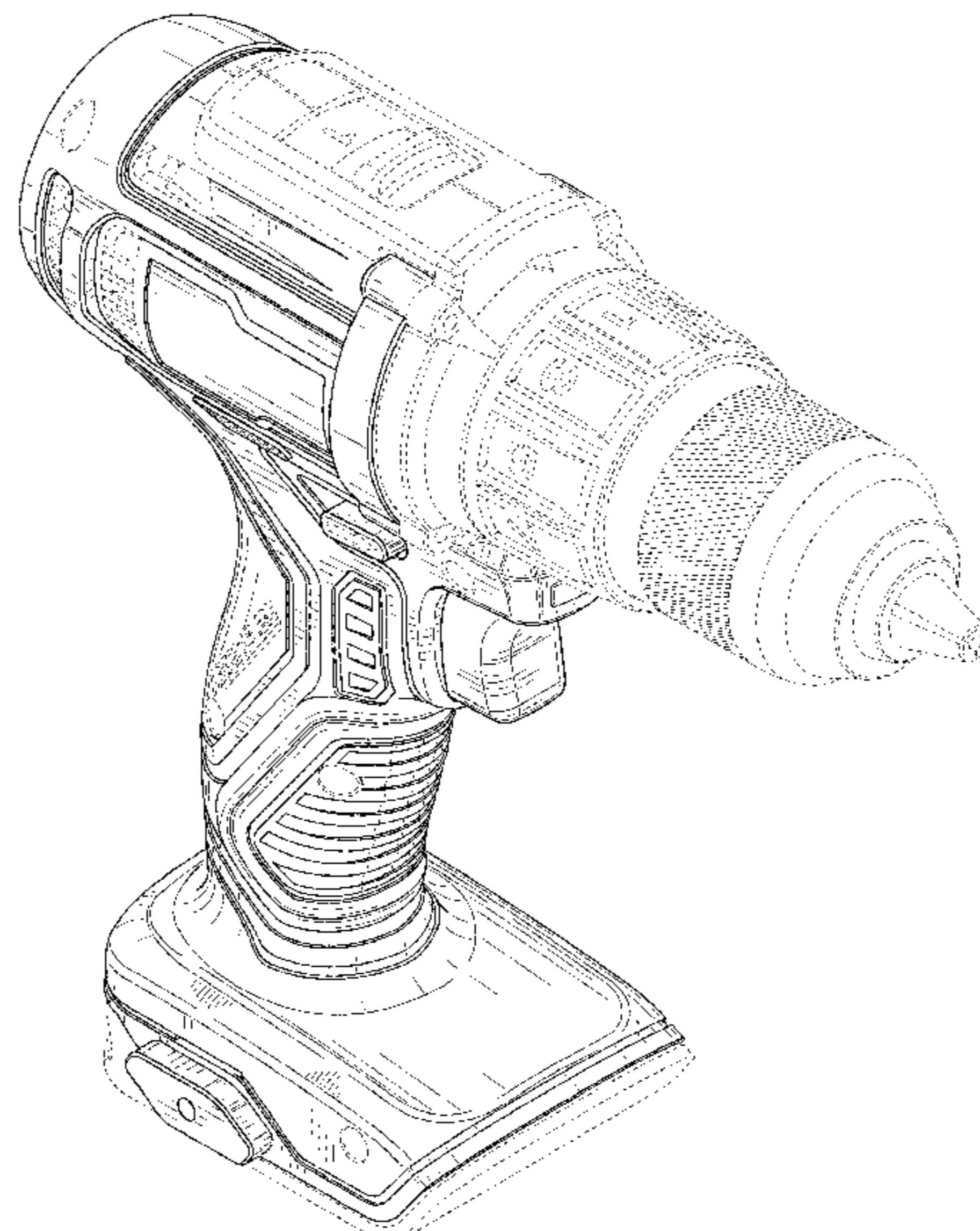
(57) **CLAIM**

The ornamental design for a power tool, as shown and  
described.

**DESCRIPTION**

FIG. 1 is a front-top perspective view of a power tool  
showing my new design;  
FIG. 2 is a front elevation view thereof;  
FIG. 3 is a rear elevation view thereof;  
FIG. 4 is a right side elevation view thereof;  
FIG. 5 is a left side elevation view thereof;  
FIG. 6 is a top plan view thereof;  
FIG. 7 is a bottom plan view thereof; and,  
FIG. 8 is a rear-bottom perspective view thereof.  
The dashed broken lines in the figures illustrate portions of  
the power tool that form no part of the claimed design.

**1 Claim, 6 Drawing Sheets**



(56)

References Cited

U.S. PATENT DOCUMENTS

D539,110 S 3/2007 Okuda  
 D540,639 S 4/2007 Watson  
 D546,154 S 7/2007 Fong et al.  
 D556,002 S \* 11/2007 Ino ..... D8/68  
 D559,062 S 1/2008 Concari  
 D574,688 S \* 8/2008 Yamamoto ..... D8/68  
 D589,317 S 3/2009 Okuda  
 D609,544 S 2/2010 Lopano et al.  
 7,661,486 B2 2/2010 Turner et al.  
 D615,837 S 5/2010 Lopano et al.  
 D617,621 S 6/2010 Houghton et al.  
 D628,454 S \* 12/2010 Misaki ..... D8/68  
 D642,037 S \* 7/2011 Miller ..... D8/68  
 D646,947 S \* 10/2011 Lopano ..... B25F 5/02  
 D8/68  
 8,181,717 B2 5/2012 Turner et al.  
 8,267,192 B2 9/2012 Lopano et al.  
 D670,989 S \* 11/2012 Kawase ..... D8/68

8,312,937 B2 11/2012 Turner et al.  
 D675,500 S \* 2/2013 Taniguchi ..... D8/68  
 D678,025 S \* 3/2013 Naksen ..... D8/68  
 D678,744 S \* 3/2013 Aoki ..... D8/68  
 D679,161 S \* 4/2013 Kawase ..... D8/68  
 D684,028 S \* 6/2013 Costoli ..... D8/68  
 D685,245 S \* 7/2013 Tirone ..... D8/68  
 8,573,324 B2 11/2013 Turner et al.  
 D700,821 S \* 3/2014 Tschopp ..... D8/68  
 D708,496 S \* 7/2014 Zhou ..... D8/68  
 2015/0041164 A1 \* 2/2015 Sergyeyenko ..... B25B 23/147  
 173/1

OTHER PUBLICATIONS

The Editors. "The Best Power Drills on Amazon, According to Hyperenthusiatic Reviewers." The Strategist., Nov. 7, 2018 [online], [retrieved on May 21, 2021]. Retrieved from the Internet <URL: <https://nymag.com/strategist/article/best-power-drills.html>>.\*

\* cited by examiner

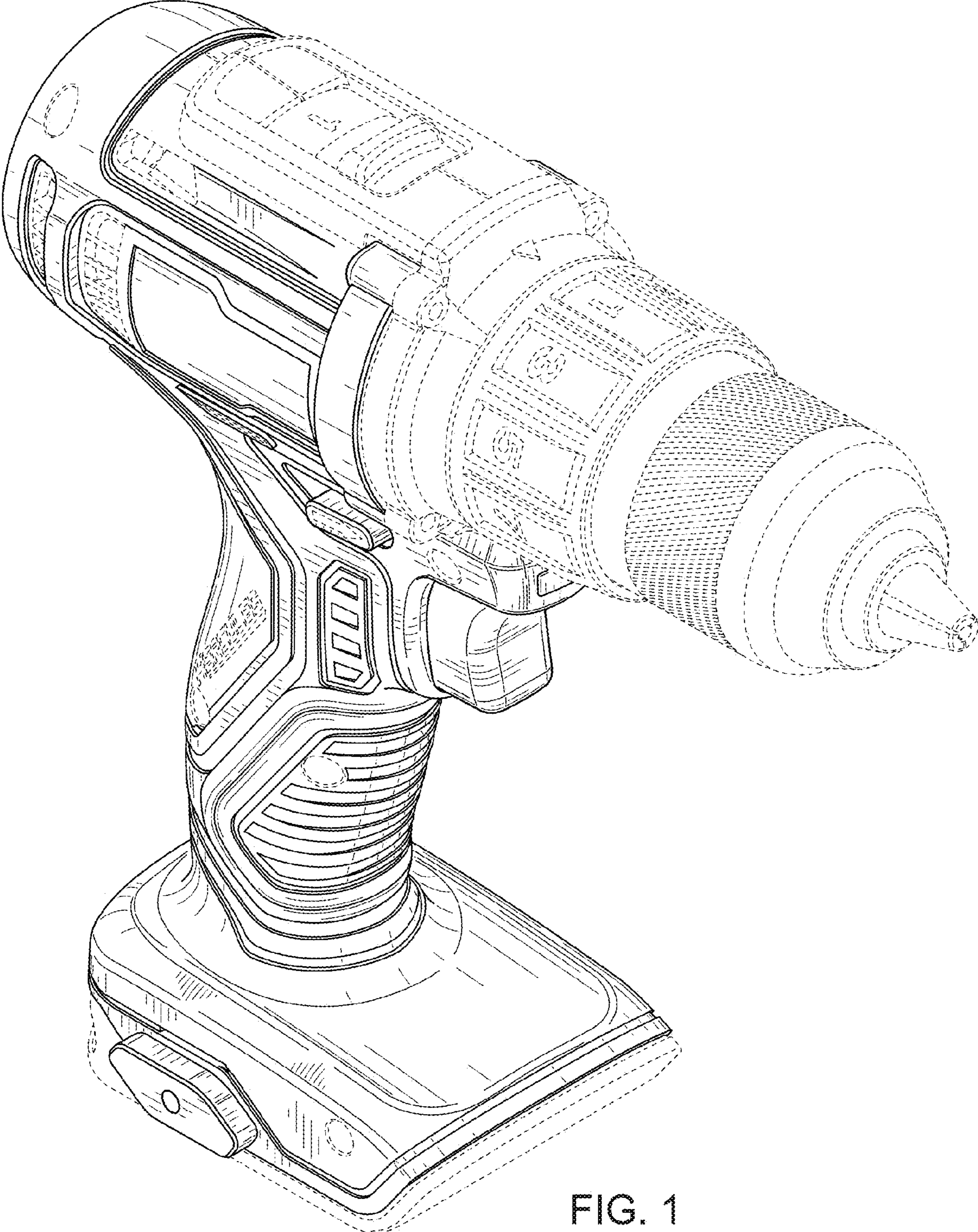


FIG. 1

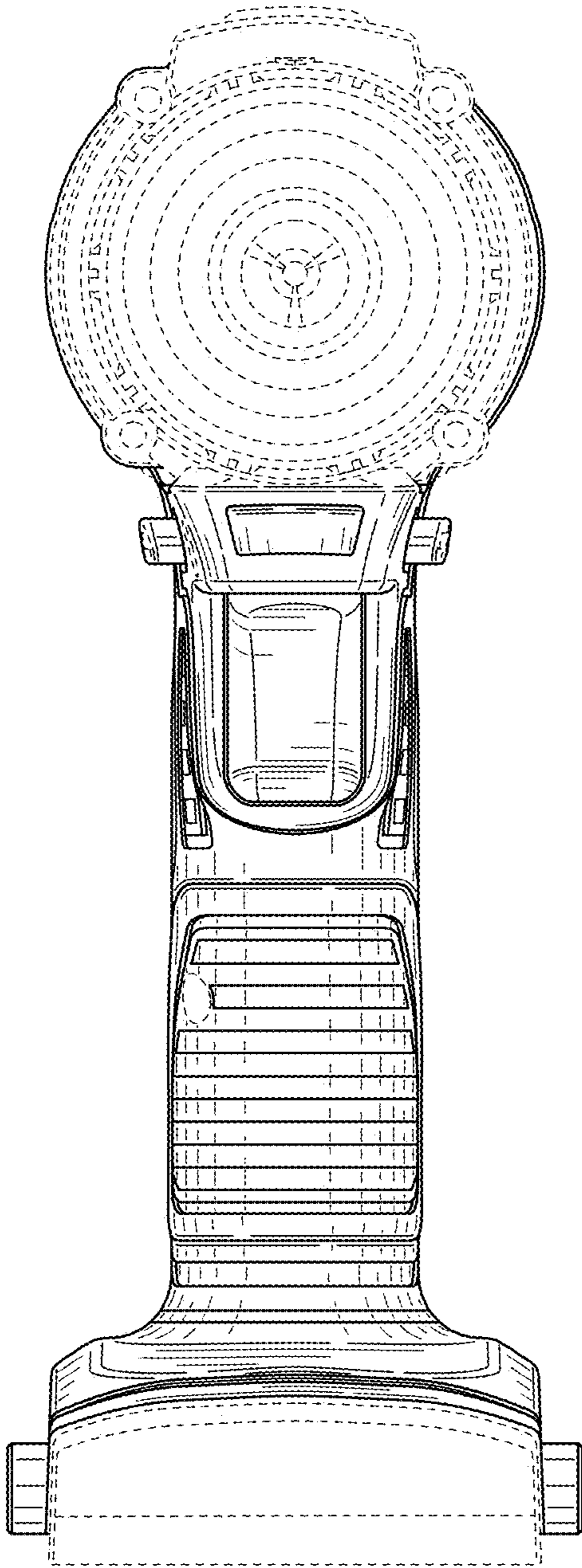


FIG. 2

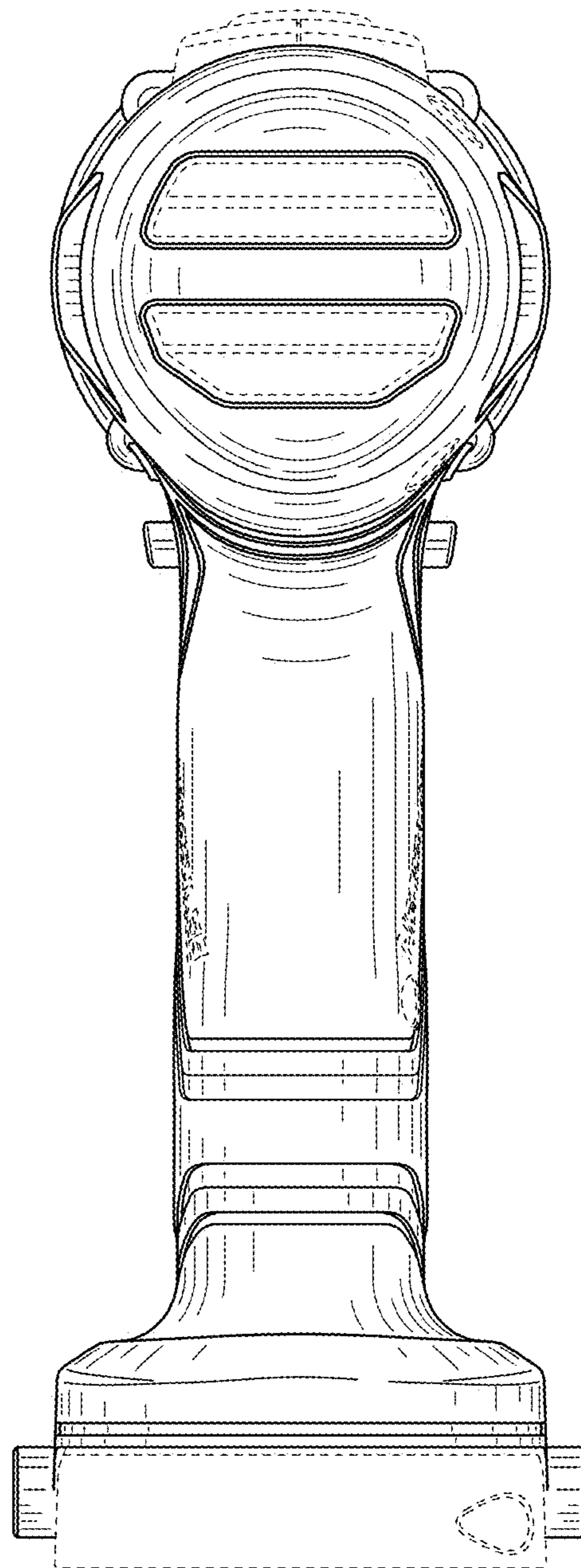


FIG. 3

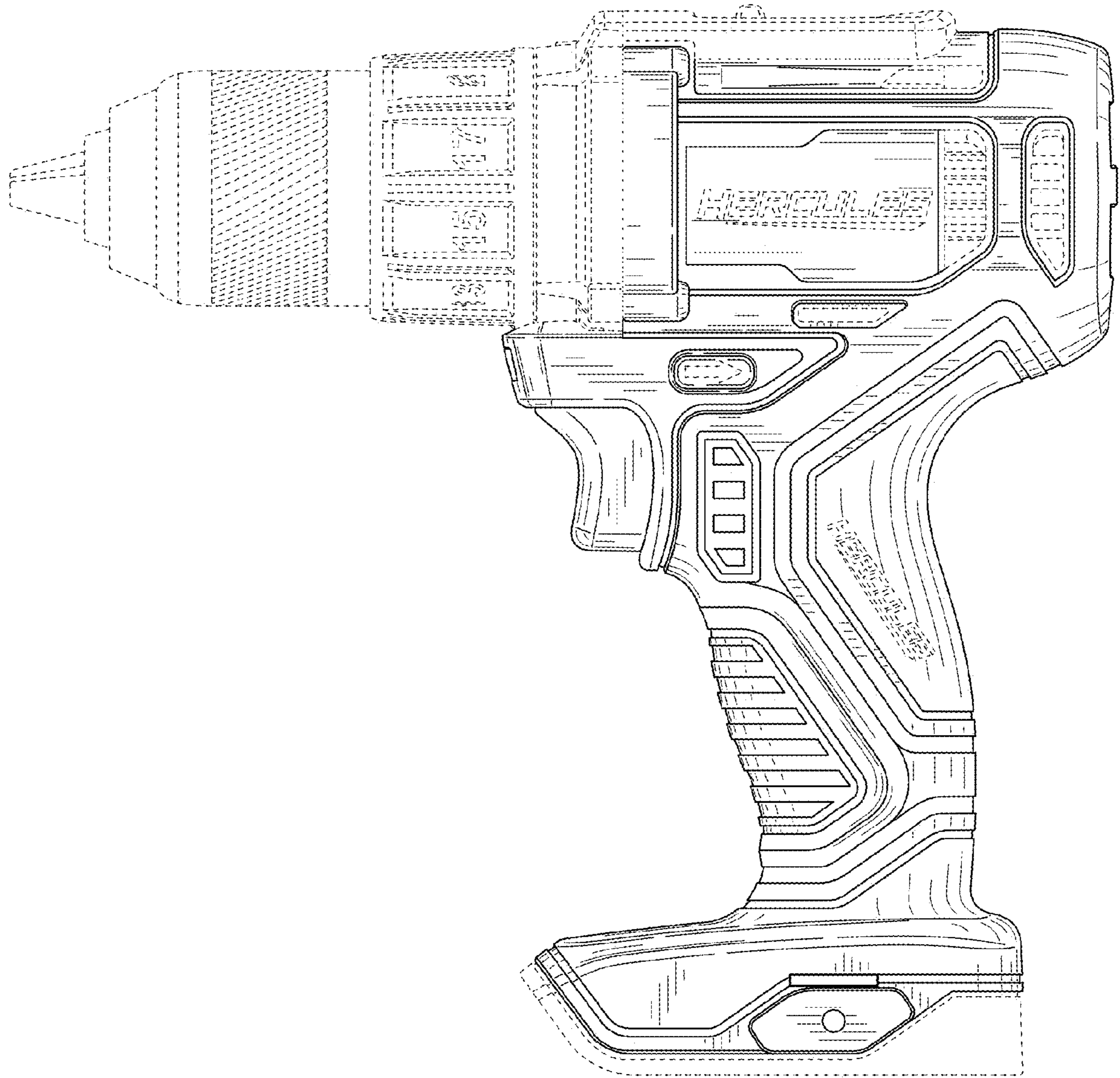


FIG. 4

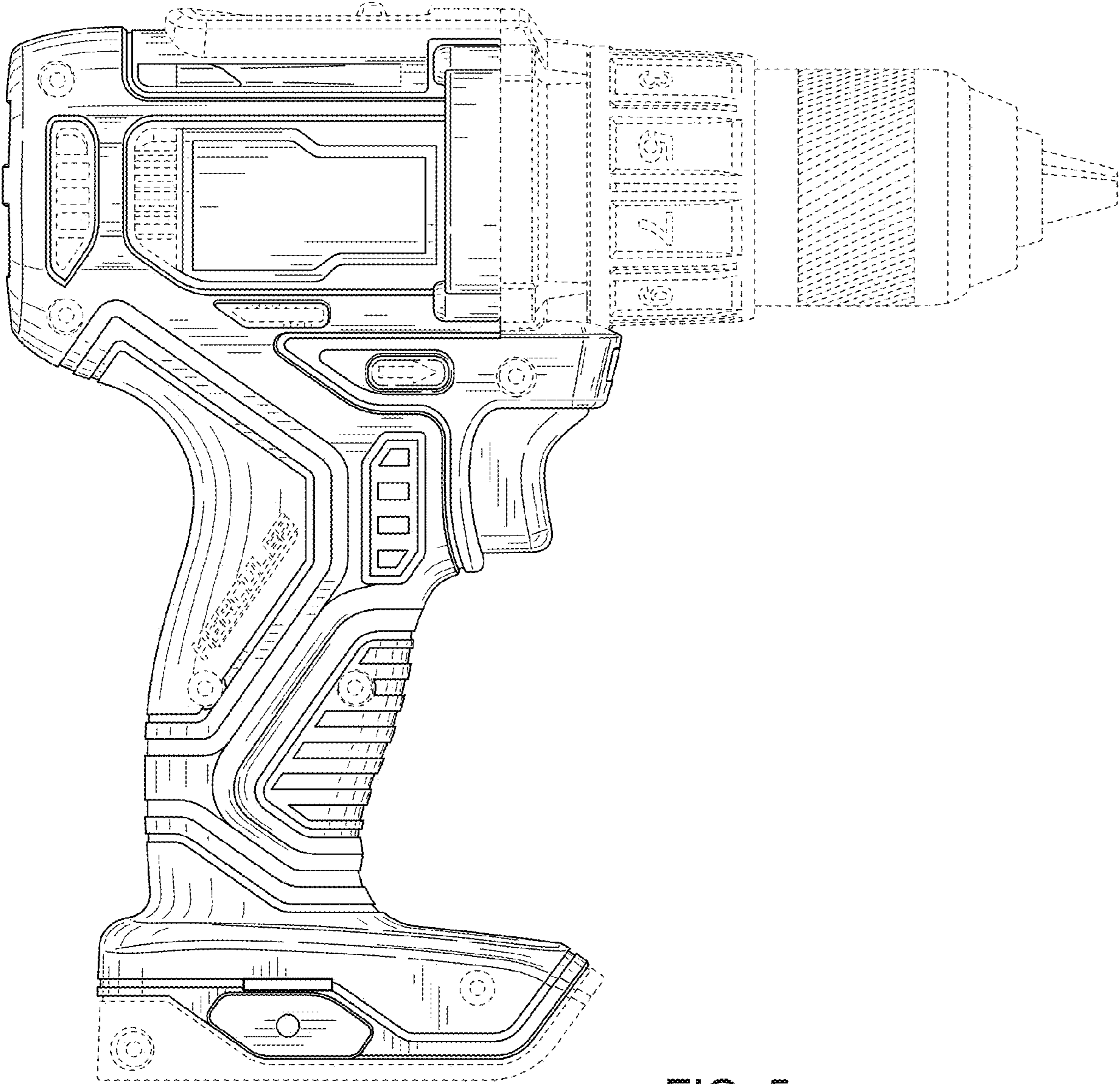


FIG. 5

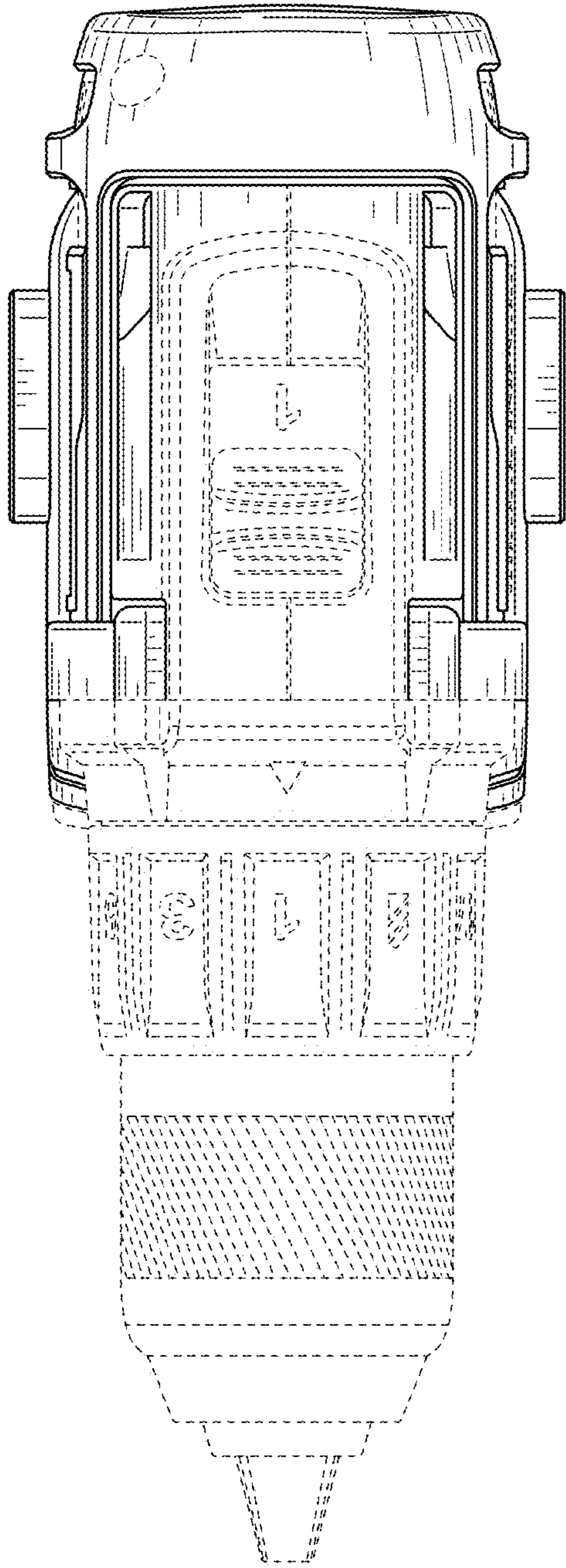


FIG. 6

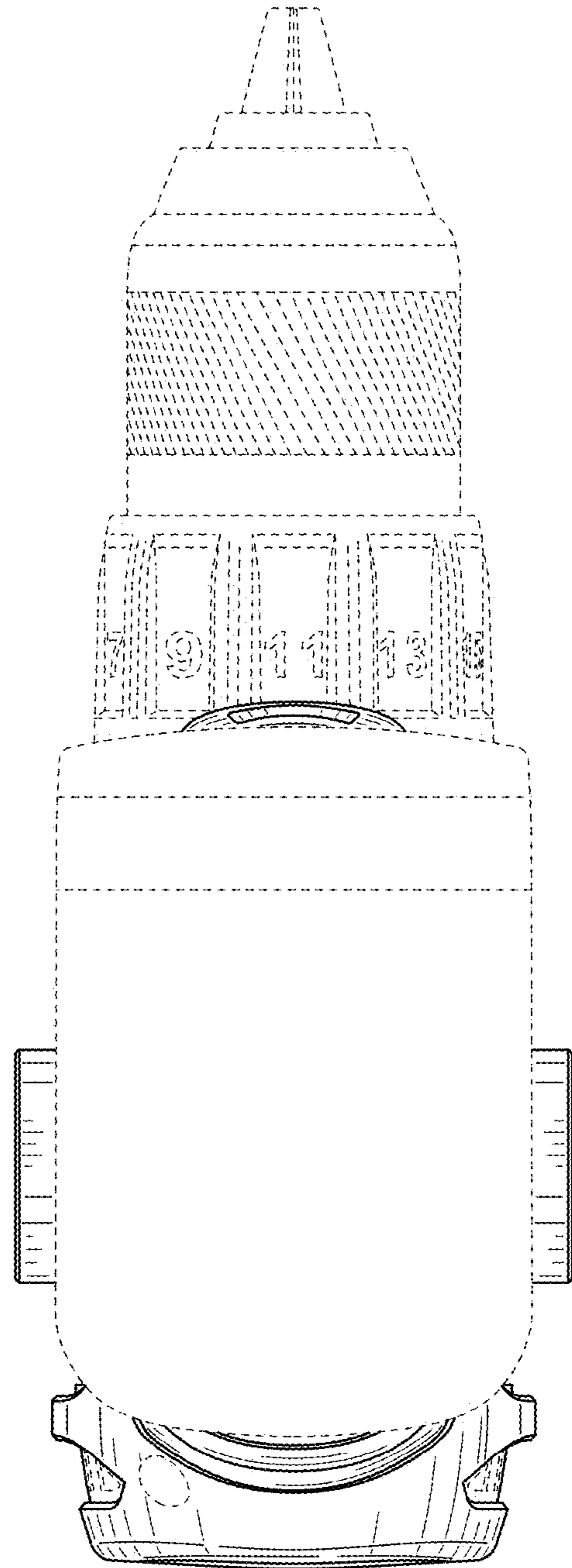


FIG. 7

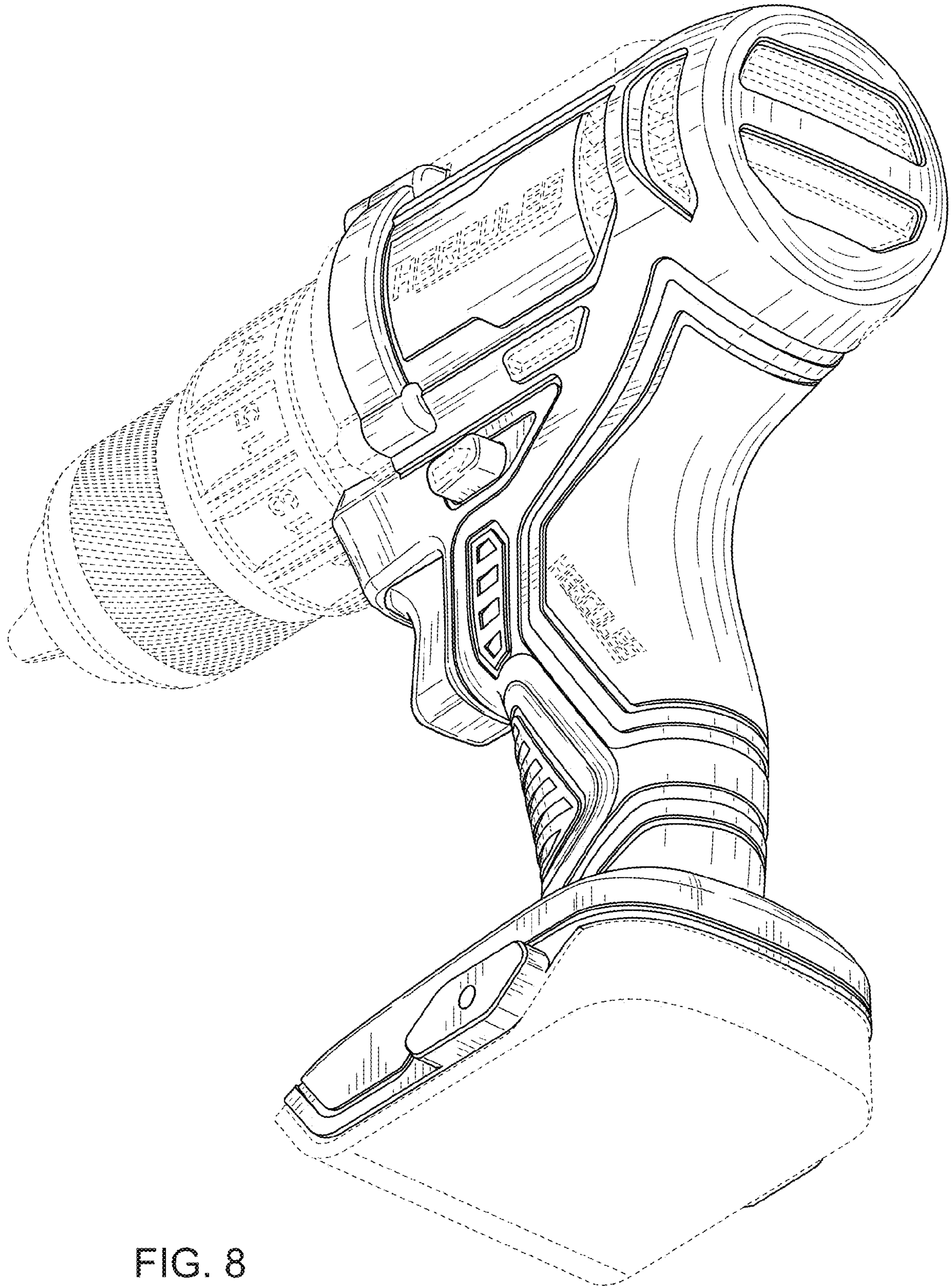


FIG. 8