



US00D925315S

(12) **United States Design Patent** (10) **Patent No.:** **US D925,315 S**  
**James** (45) **Date of Patent:** **\*\* Jul. 20, 2021**

(54) **CUT OFF TOOL**  
(71) Applicant: **VIS, LLC**, Travelers Rest, SC (US)  
(72) Inventor: **Chad James**, Tylertown, MS (US)  
(73) Assignee: **VIS, LLC**, Travelers Rest, SC (US)  
(\*\*) Term: **15 Years**  
(21) Appl. No.: **29/701,889**  
(22) Filed: **Aug. 15, 2019**  
(51) **LOC (13) Cl.** ..... **08-03**  
(52) **U.S. Cl.**  
USPC ..... **D8/62**  
(58) **Field of Classification Search**  
USPC ..... D8/61, 62, 63, 64, 66  
CPC ..... B24B 23/028; B24B 47/12; B24B 7/186;  
B24B 23/00; B24B 23/02; B25F 5/001;  
B25F 5/02  
See application file for complete search history.

(56) **References Cited**  
U.S. PATENT DOCUMENTS  
D301,830 S \* 6/1989 Ogawa ..... D8/62  
D376,968 S \* 12/1996 Kim ..... D8/62  
D395,585 S \* 6/1998 Andersson ..... D8/62  
D408,244 S \* 4/1999 Price ..... D8/62  
6,186,879 B1 \* 2/2001 Ericsson ..... B24B 23/02  
451/344  
D456,231 S \* 4/2002 Chen ..... D8/61  
6,561,063 B1 \* 5/2003 Mulford ..... B24B 55/052  
30/390  
D559,057 S \* 1/2008 Pan ..... D8/61  
D637,057 S \* 5/2011 Schomisch ..... D8/62

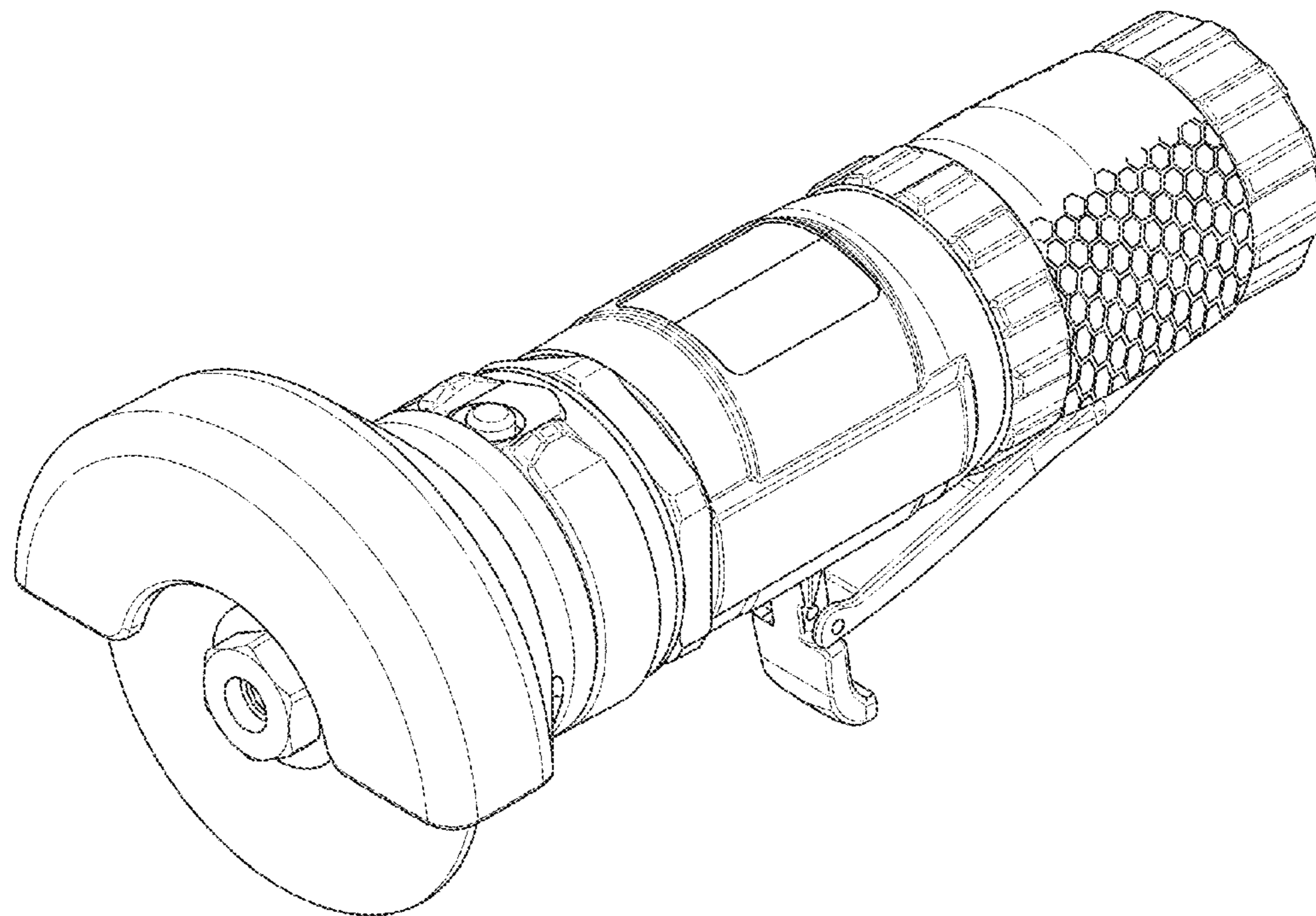
D710,170 S \* 8/2014 Aglassinger ..... D8/62  
D715,616 S \* 10/2014 Aglassinger ..... D8/62  
D746,118 S \* 12/2015 Xu ..... D8/62  
D813,631 S \* 3/2018 Croghan ..... D8/62  
D872,550 S \* 1/2020 Zhou ..... D8/62  
D892,583 S \* 8/2020 Liu ..... D8/62  
D892,584 S \* 8/2020 Matteo ..... D8/62  
2002/0094769 A1 \* 7/2002 Lai ..... B24B 23/02  
451/358  
2013/0316626 A1 \* 11/2013 Yaschur ..... B24B 23/026  
451/344

\* cited by examiner  
*Primary Examiner* — Philip S Hyder  
(74) *Attorney, Agent, or Firm* — J. Bennett Mullinax, LLC

(57) **CLAIM**  
The ornamental design for a cut off tool, as shown and described.

**DESCRIPTION**  
FIG. 1 is a front perspective view of the cut off tool as shown in FIG. 1;  
FIG. 2 is a front view of the cut off tool as shown in FIG. 1;  
FIG. 3 is a rear view of the cut off tool as shown in FIG. 1;  
FIG. 4 is a left side view of the cut off tool as shown in FIG. 1;  
FIG. 5 is a right side view of the cut off tool as shown in FIG. 1;  
FIG. 6 is a top view of the cut off tool as shown in FIG. 1; and,  
FIG. 7 is a bottom view of the cut off tool as shown in FIG. 1.

**1 Claim, 6 Drawing Sheets**



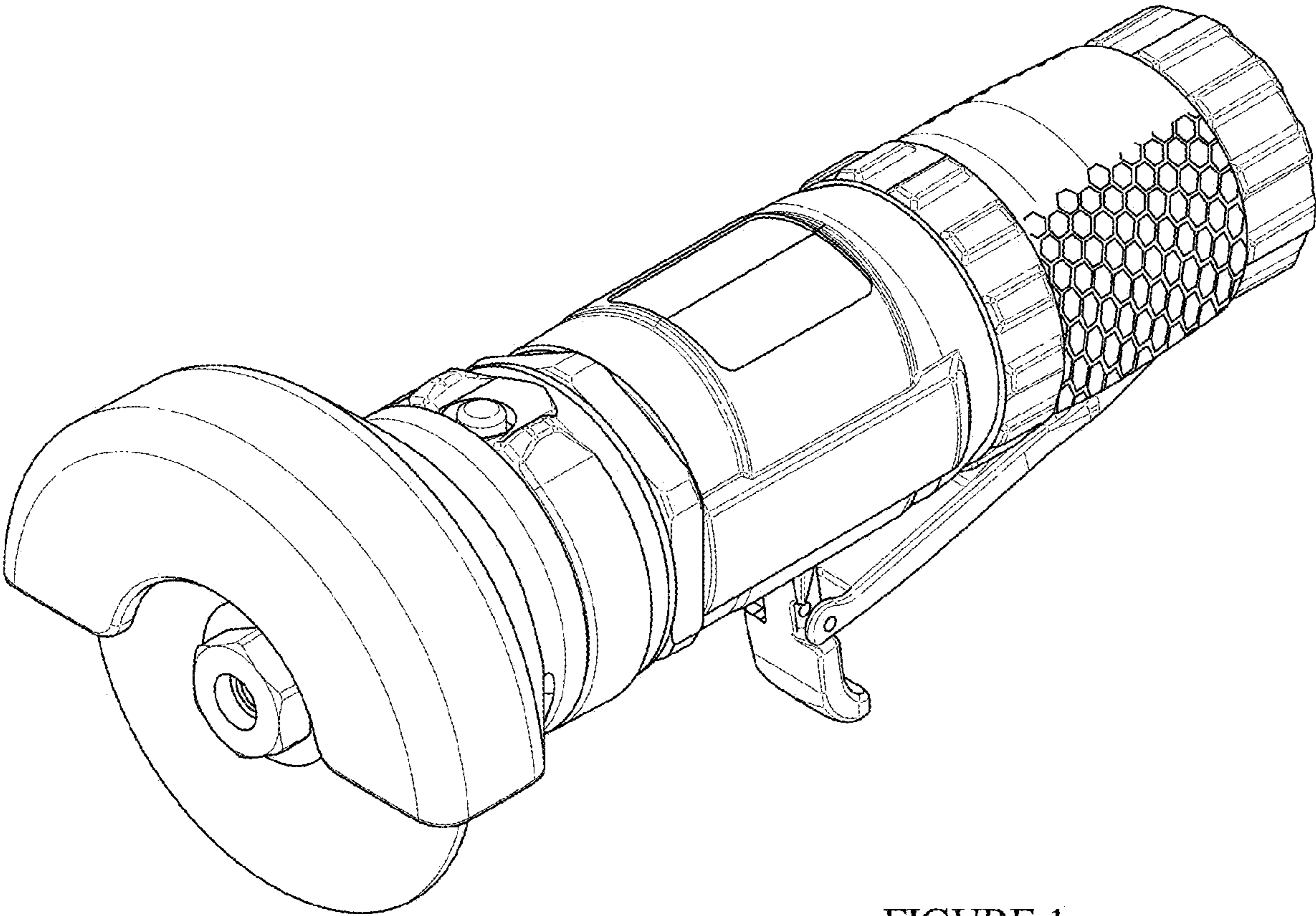


FIGURE 1

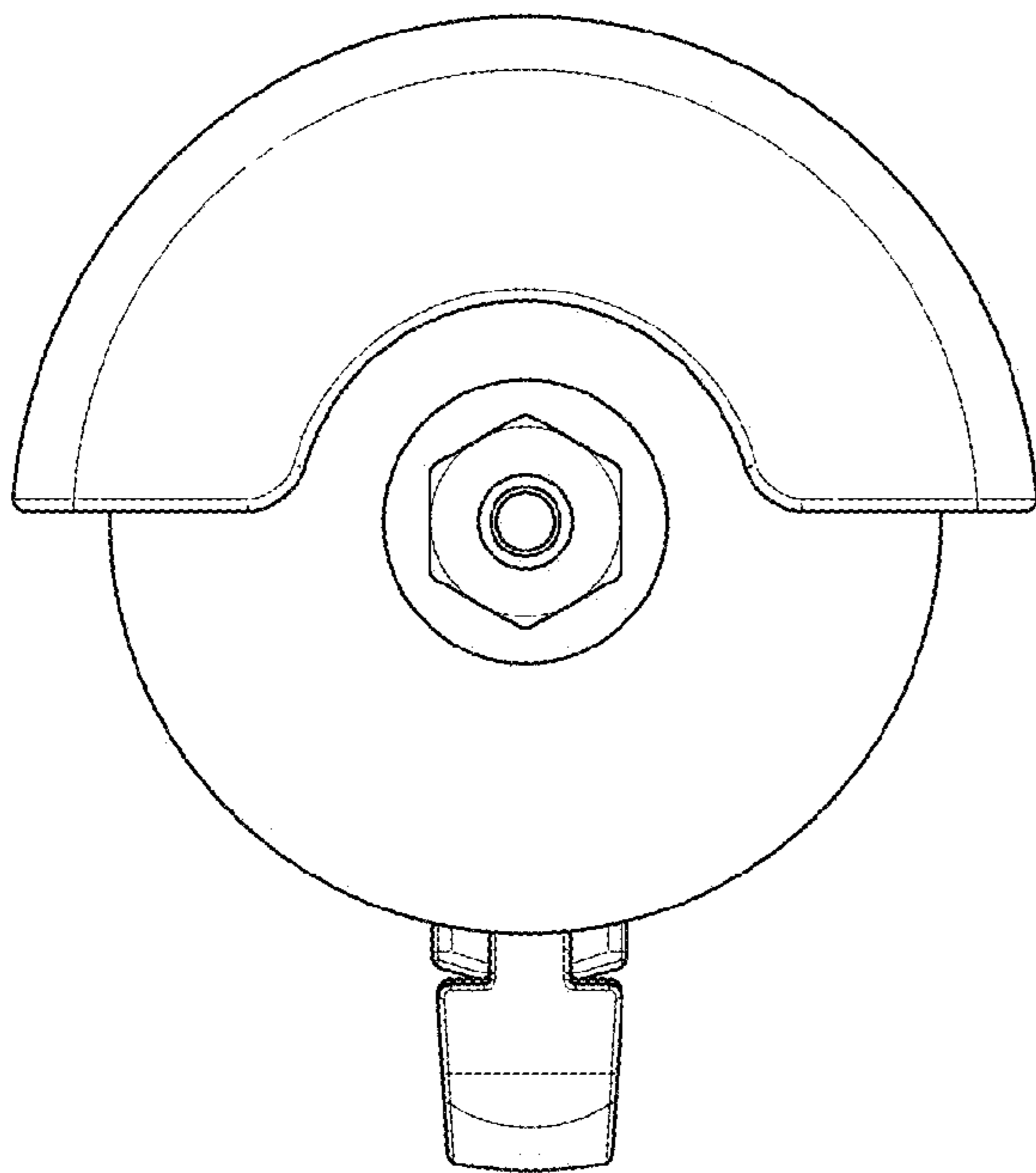


FIGURE 2

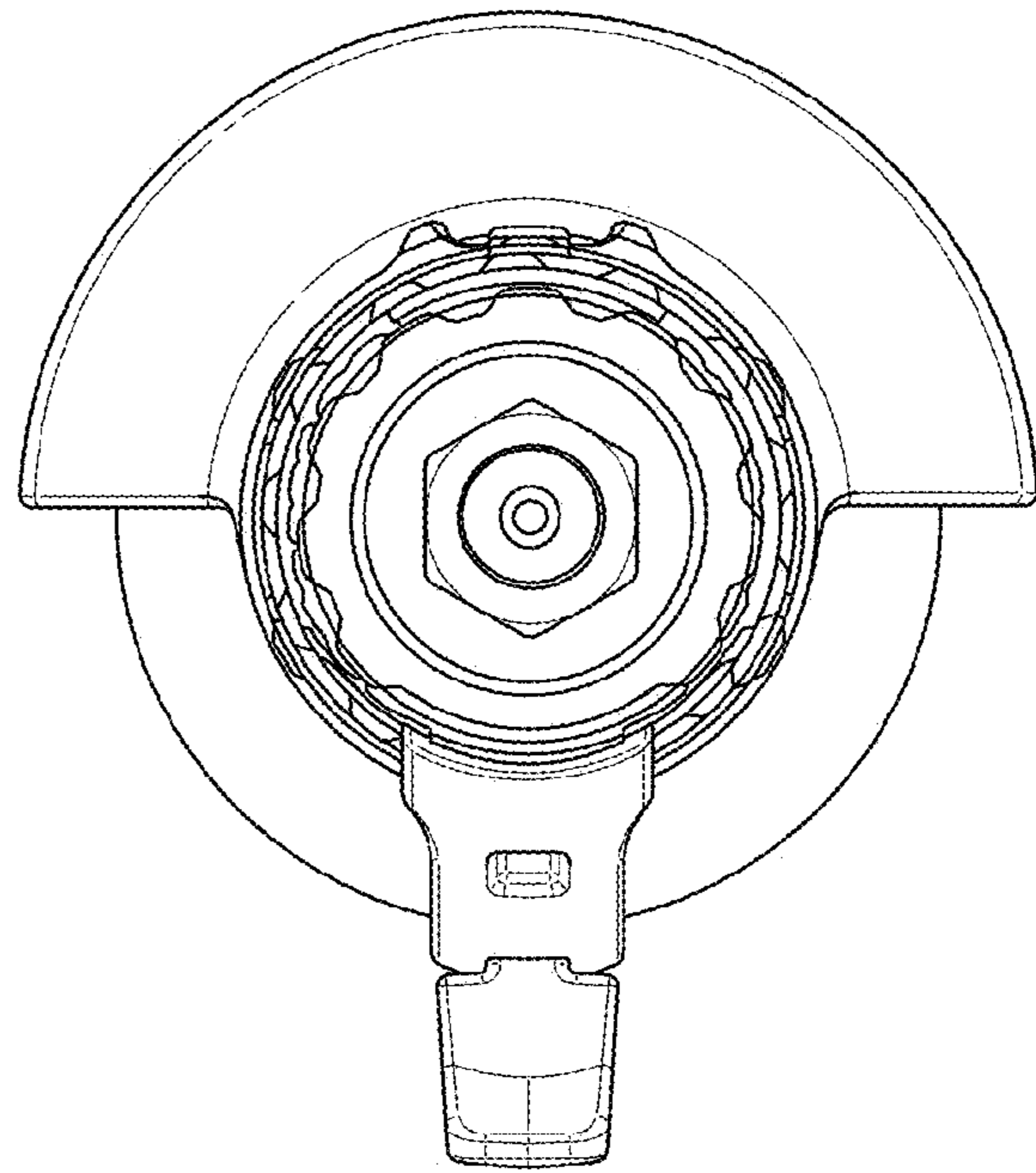


FIGURE 3



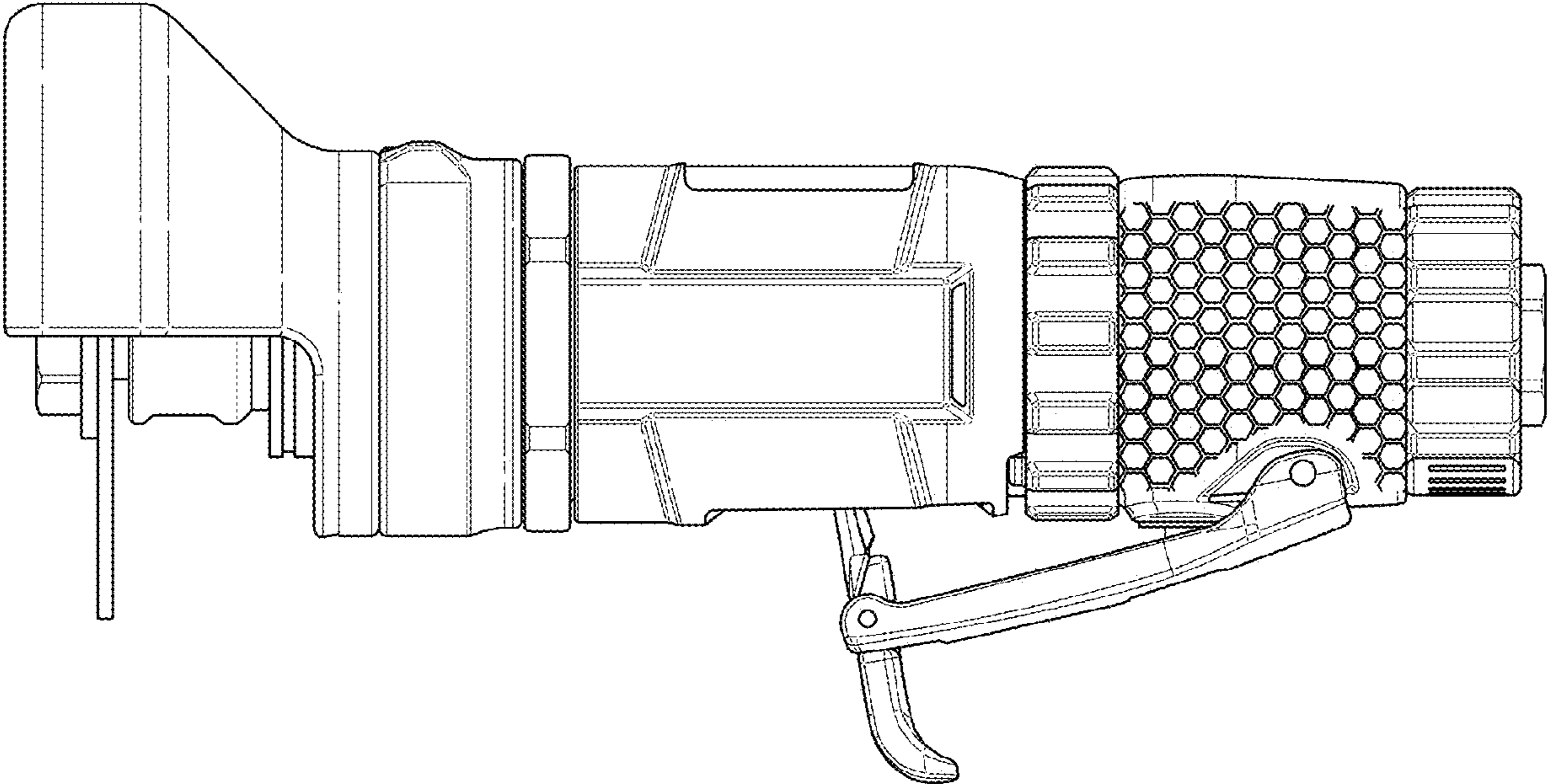


FIGURE 4

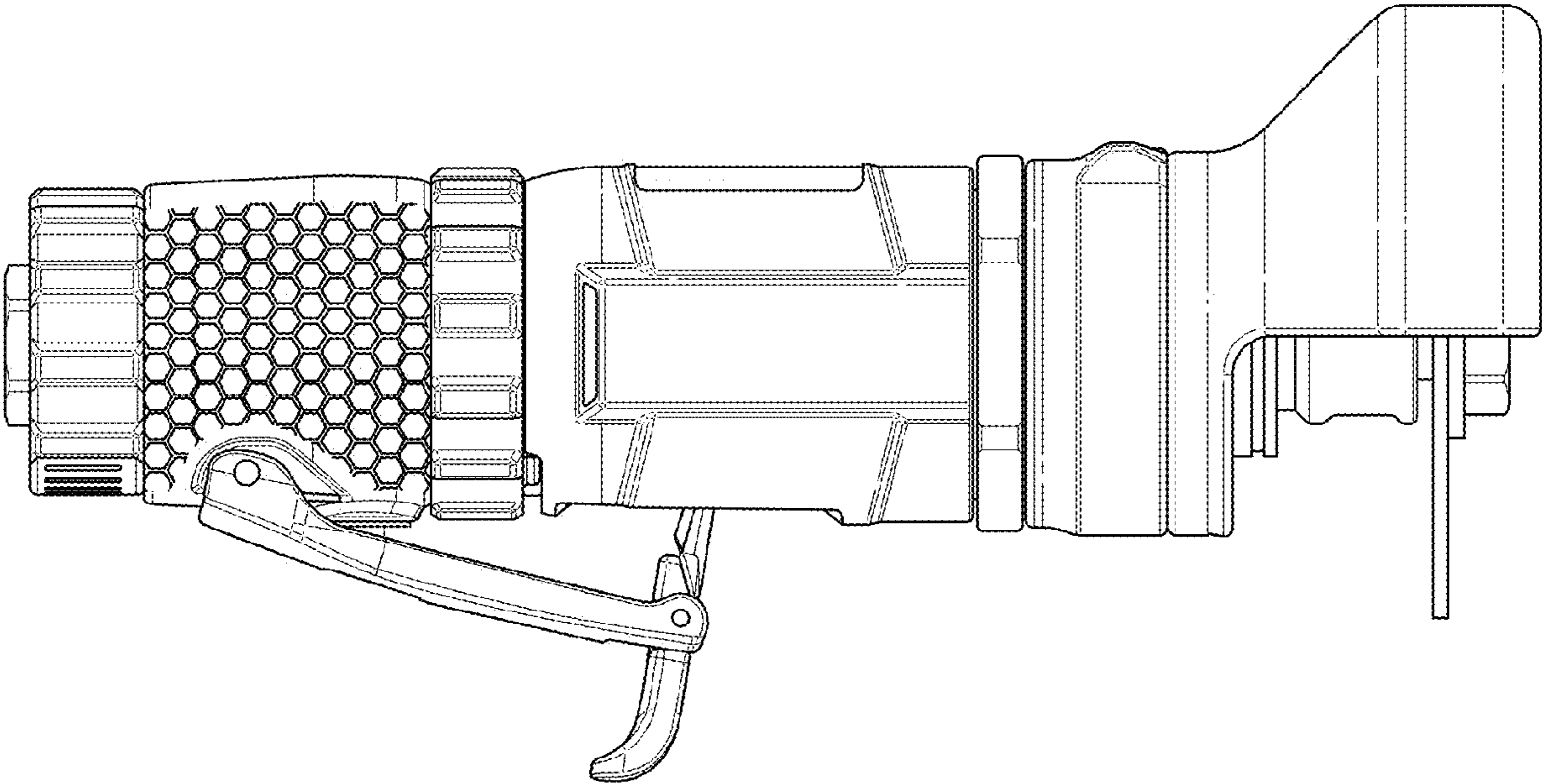


FIGURE 5

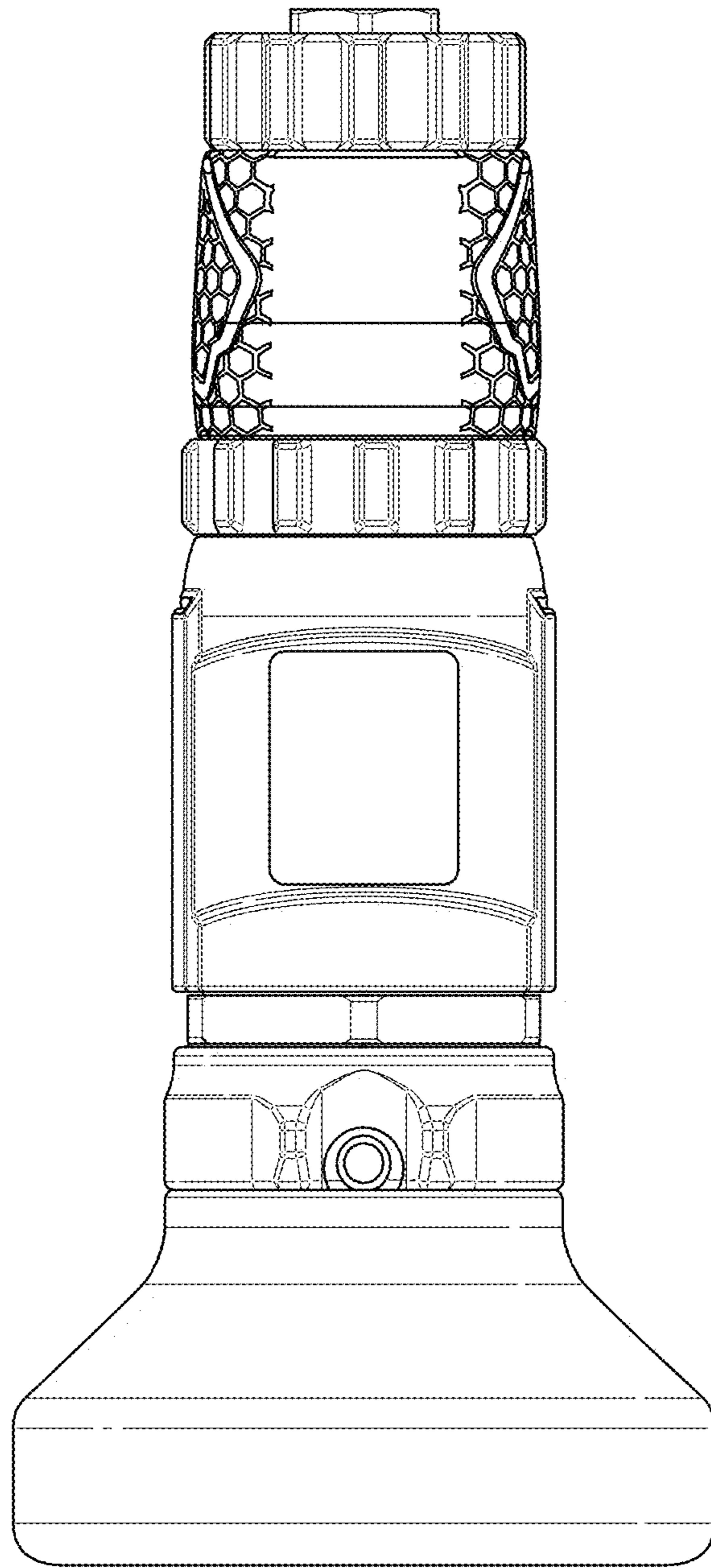


FIGURE 6

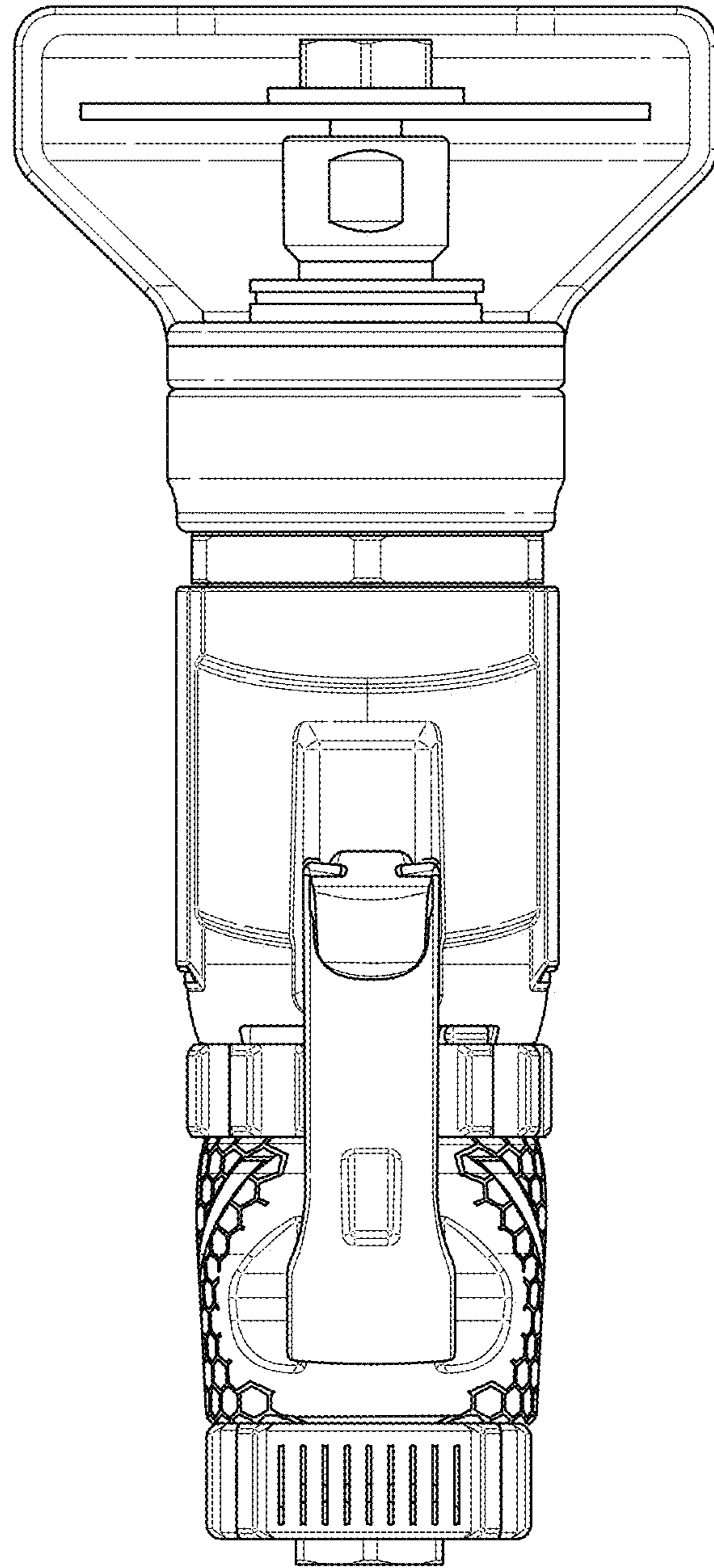


FIGURE 7