



US00D925314S

(12) **United States Design Patent**
Müller

(10) **Patent No.:** **US D925,314 S**
(45) **Date of Patent:** **** Jul. 20, 2021**

(54) **JIG FOR REPAIRING VEHICLE BODIES**

(71) Applicant: **Siegbert Müller**, Eigeltingen (DE)

(72) Inventor: **Siegbert Müller**, Eigeltingen (DE)

(73) Assignee: **Siegbert Müller**, Eigeltingen (DE)

(**) Term: **15 Years**

(21) Appl. No.: **35/508,843**

(22) Filed: **Sep. 18, 2019**

(80) **Hague Agreement Data**

Int. Filing Date: **Sep. 18, 2019**

Int. Reg. No.: **DM/205023**

Int. Reg. Date: **Sep. 18, 2019**

Int. Reg. Pub. Date: **Mar. 20, 2020**

(51) **LOC (13) Cl.** **08-05**

(52) **U.S. Cl.**

USPC **D8/51**

CPC **B21D 1/12** (2013.01)

(58) **Field of Classification Search**

USPC D8/14, 51, 52; D15/140, 199

CPC .. B21D 1/12; B21D 1/06; B21D 37/00; B25B
11/007

See application file for complete search history.

(56) **References Cited**

U.S. PATENT DOCUMENTS

- 3,977,230 A * 8/1976 Jones B21D 1/06
72/325
- 4,050,271 A * 9/1977 Jones B21D 1/06
72/37
- 4,073,181 A * 2/1978 Steinmann, Jr. B21D 1/06
72/479
- 4,116,035 A * 9/1978 Malarsky B21D 1/06
72/389.6
- 4,930,335 A * 6/1990 Ishihara B21D 1/06
72/451
- D311,316 S * 10/1990 Ishihara D8/51

- D311,317 S * 10/1990 Ishihara D8/51
- D311,670 S * 10/1990 Ishihara D8/51
- 6,722,179 B1 * 4/2004 Ventura B21D 1/06
72/454
- 6,874,347 B2 * 4/2005 Meichtry B21D 1/06
72/390.5
- D511,666 S * 11/2005 Thompson D8/70
- 6,964,186 B1 * 11/2005 Strasser B21D 1/06
72/342.8
- D661,960 S * 6/2012 Padula D8/30
- 8,516,875 B1 * 8/2013 Chan B21D 1/06
72/457
- 10,099,269 B1 * 10/2018 Lin B21D 1/12
- D860,741 S * 9/2019 Yang B21D 1/06
D8/51
- D860,742 S * 9/2019 Yang B21D 1/06
D8/51
- D878,885 S * 3/2020 Lin D8/51
- D879,570 S * 3/2020 Lin D8/51
- D901,267 S * 11/2020 Yan B21D 1/06
D8/51
- 2003/0097869 A1 * 5/2003 Meichtry B21D 1/06
72/705

* cited by examiner

Primary Examiner — Richard E Chilcot

(74) *Attorney, Agent, or Firm* — Andrew F. Young, Esq.;
Nolte Lackenbach Siegel

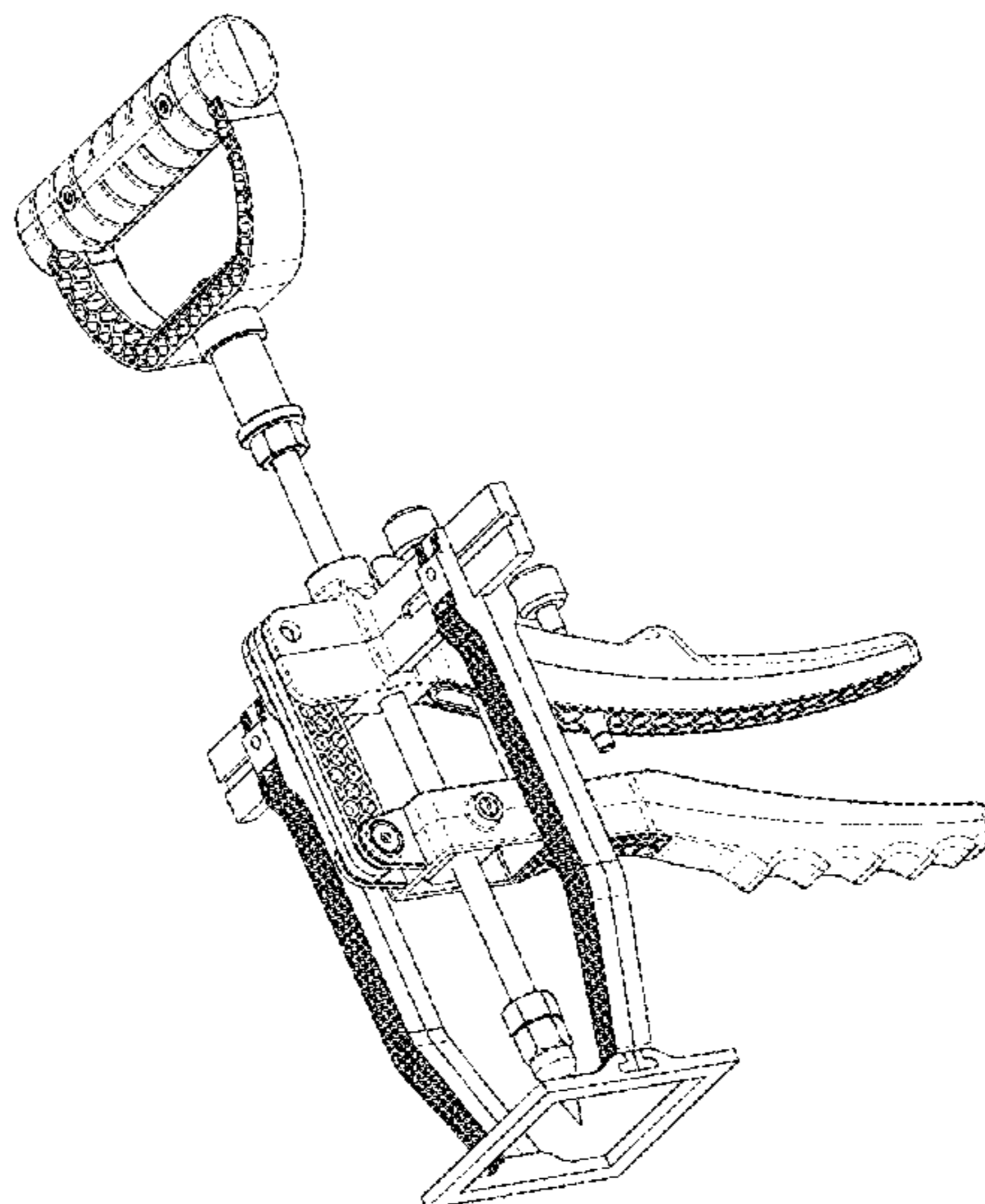
(57) **CLAIM**

The ornamental design for jigs for repairing vehicle bodies,
as shown and described.

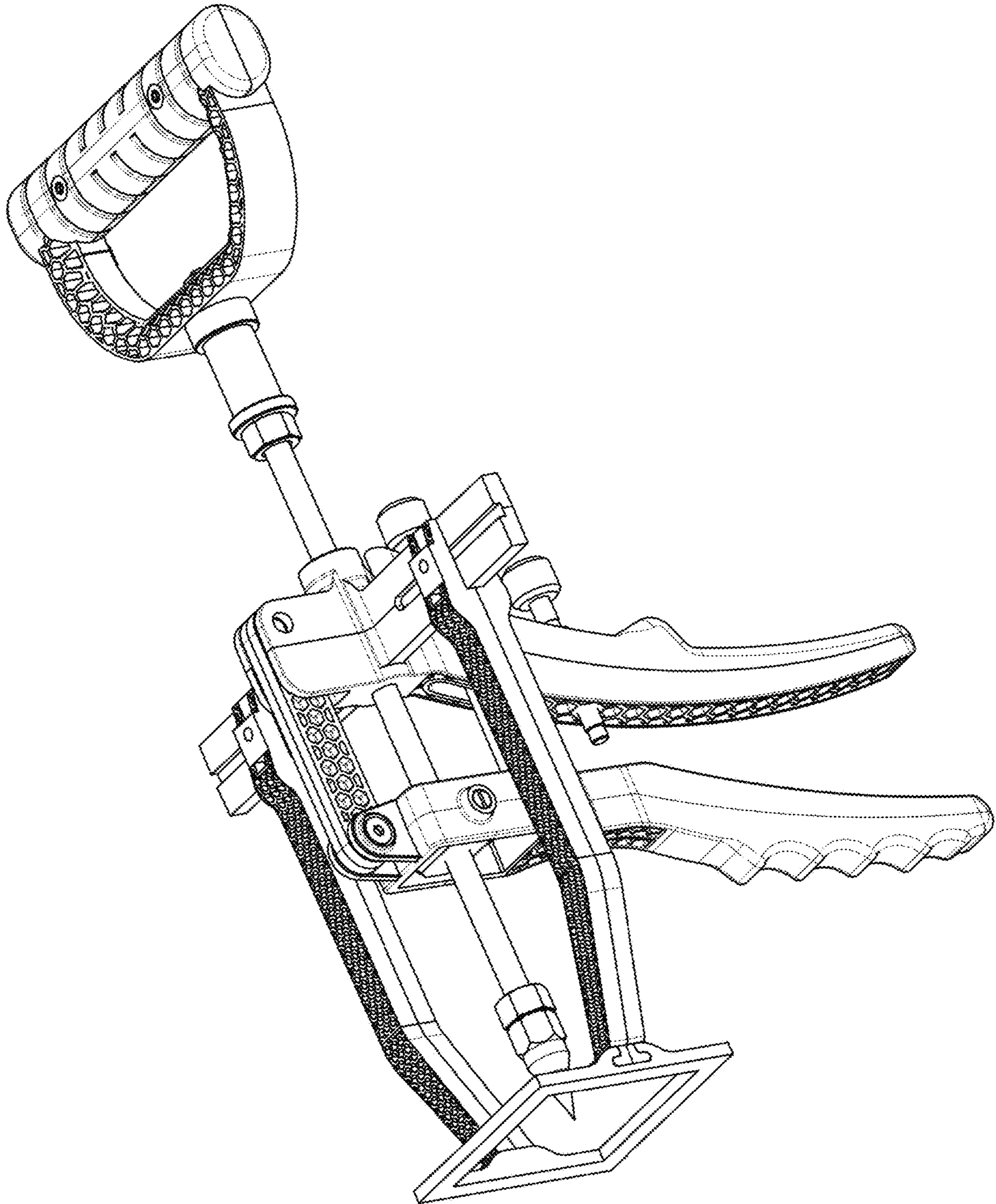
DESCRIPTION

- 1.-7. Jig for repairing vehicle bodies
- 2.1 : Perspective
- 2.2 : Back
- 2.3 : Front
- 2.4 : Right
- 2.5 : Left
- 2.6 : Top
- 2.7 : Bottom

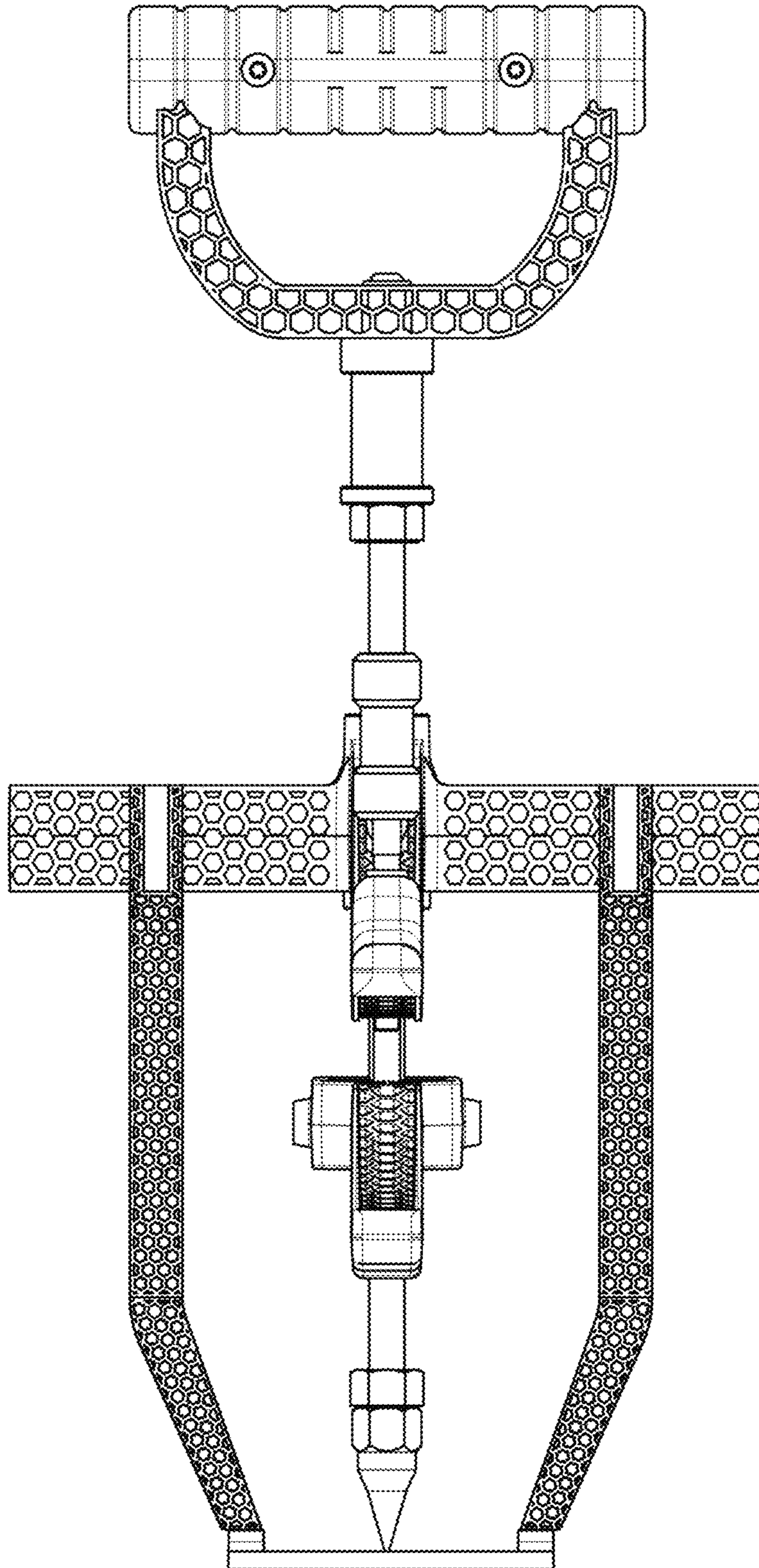
1 Claim, 7 Drawing Sheets



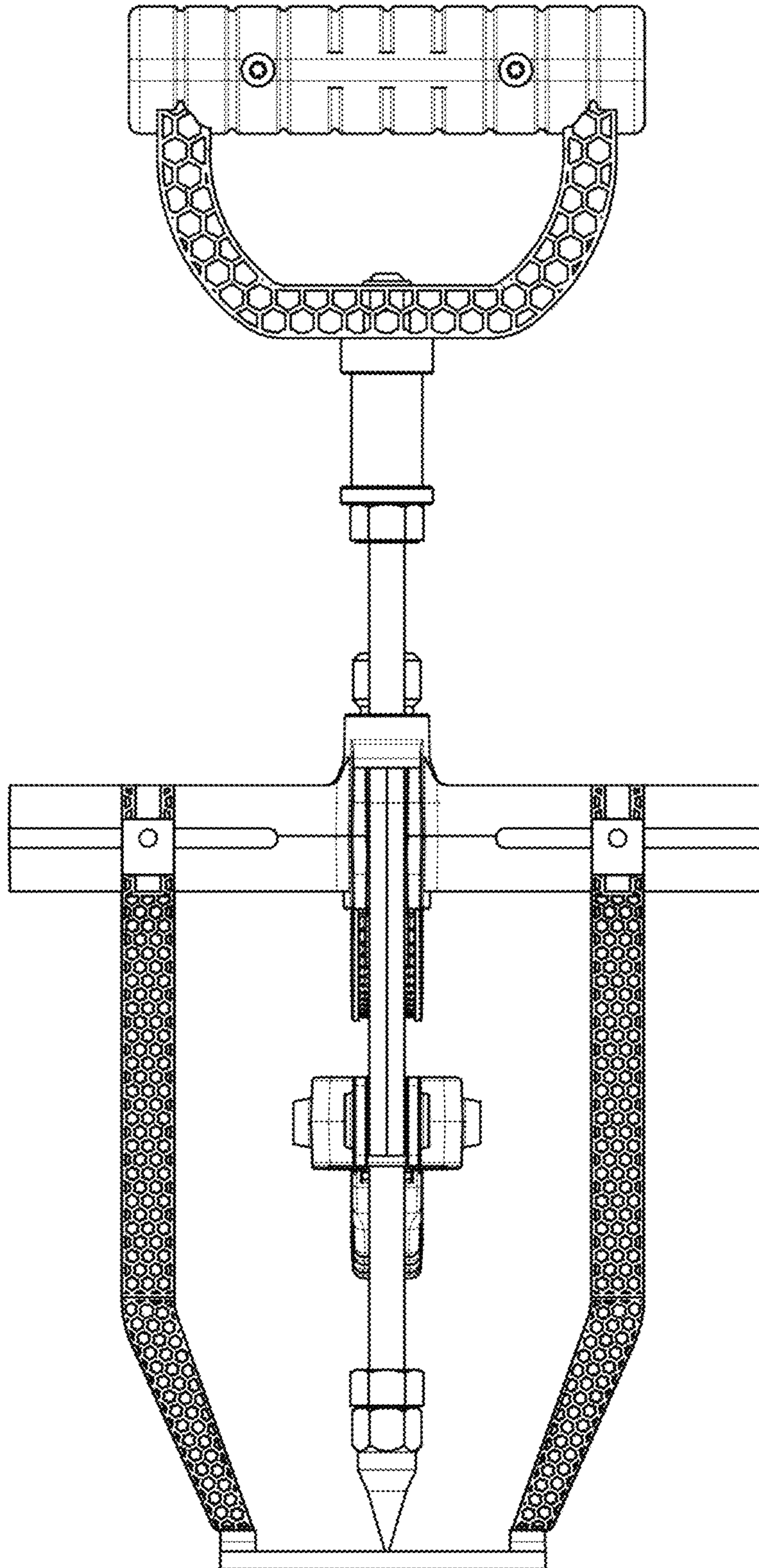
2.1



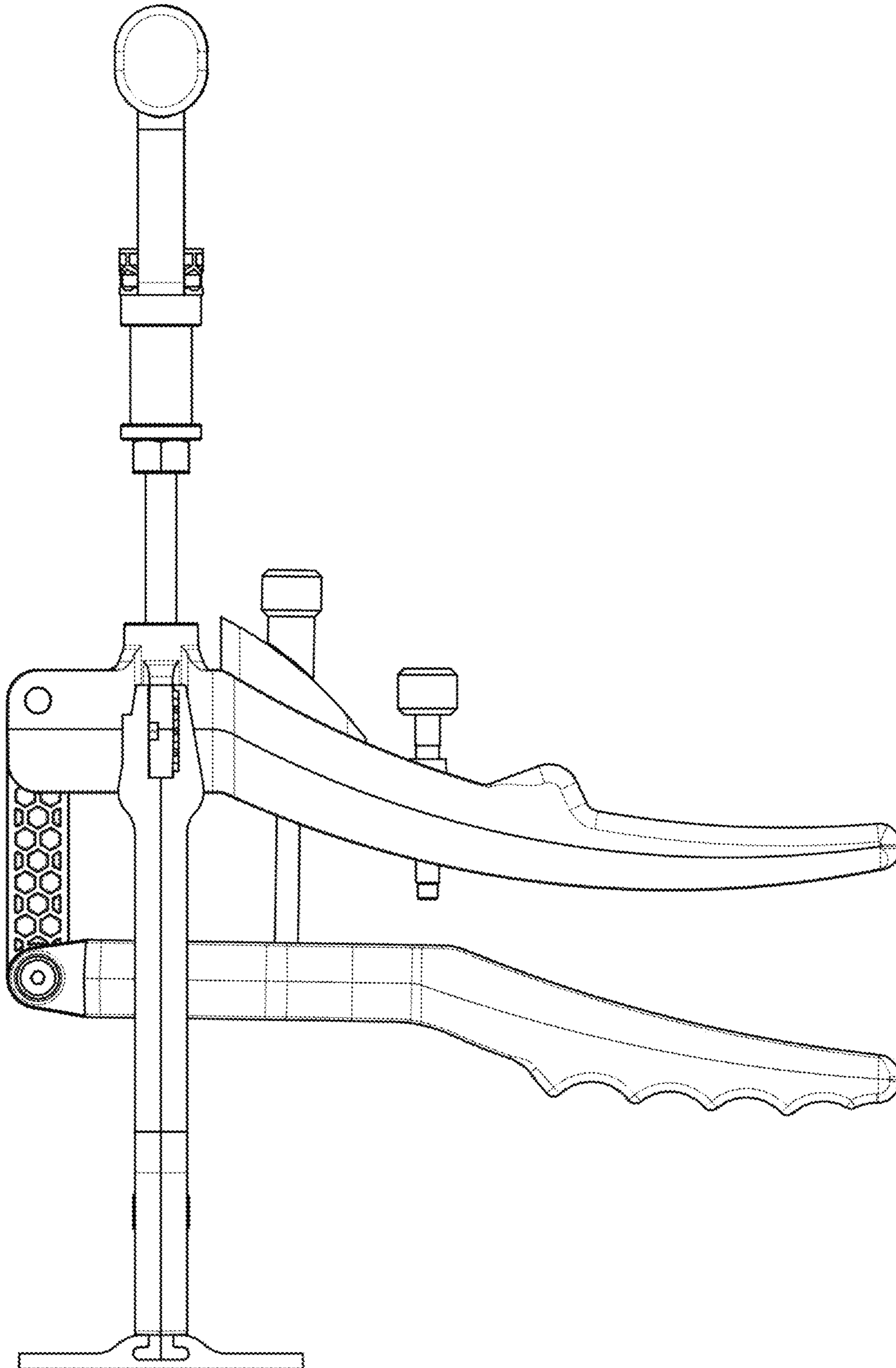
2.2



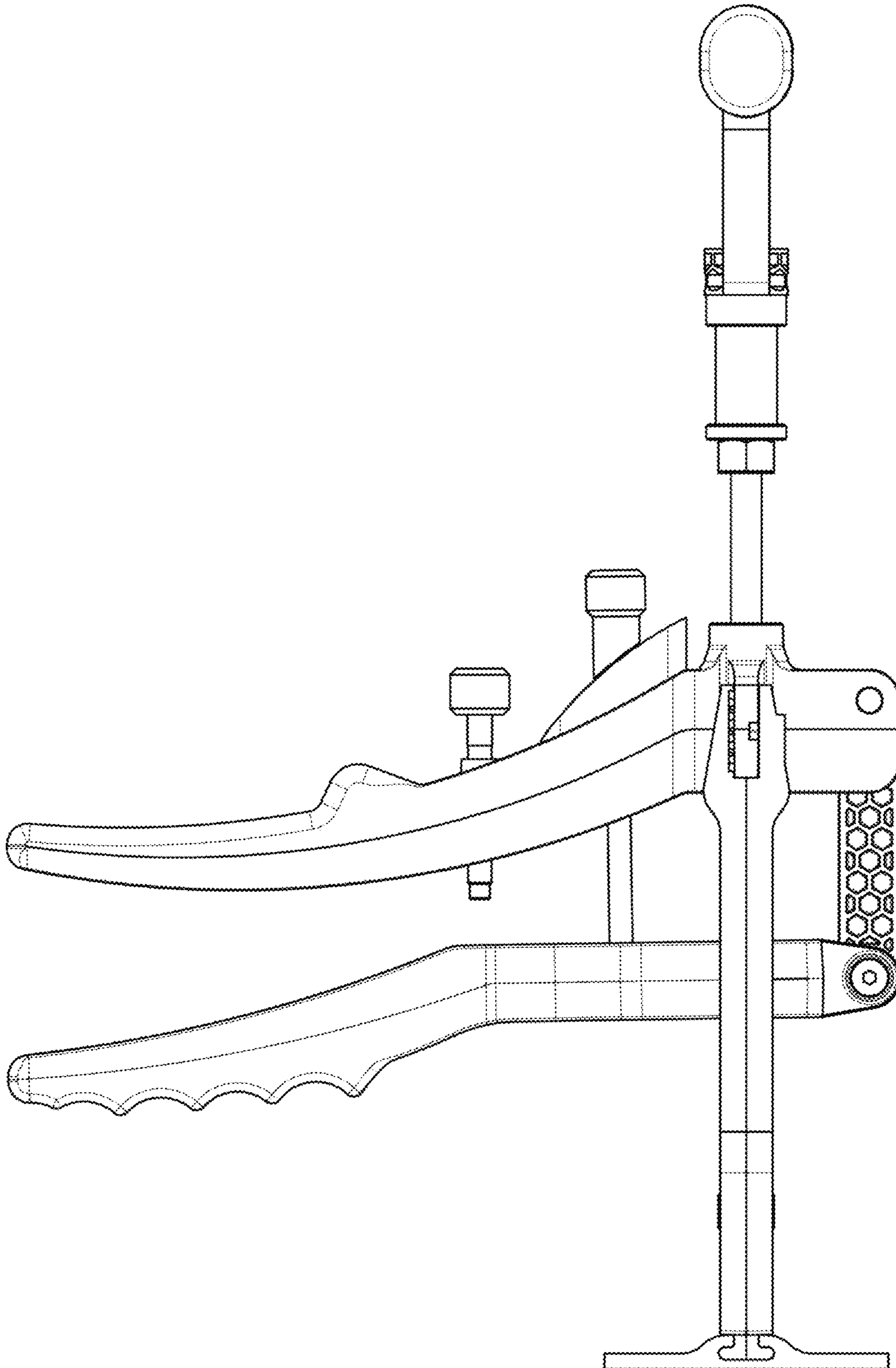
2.3



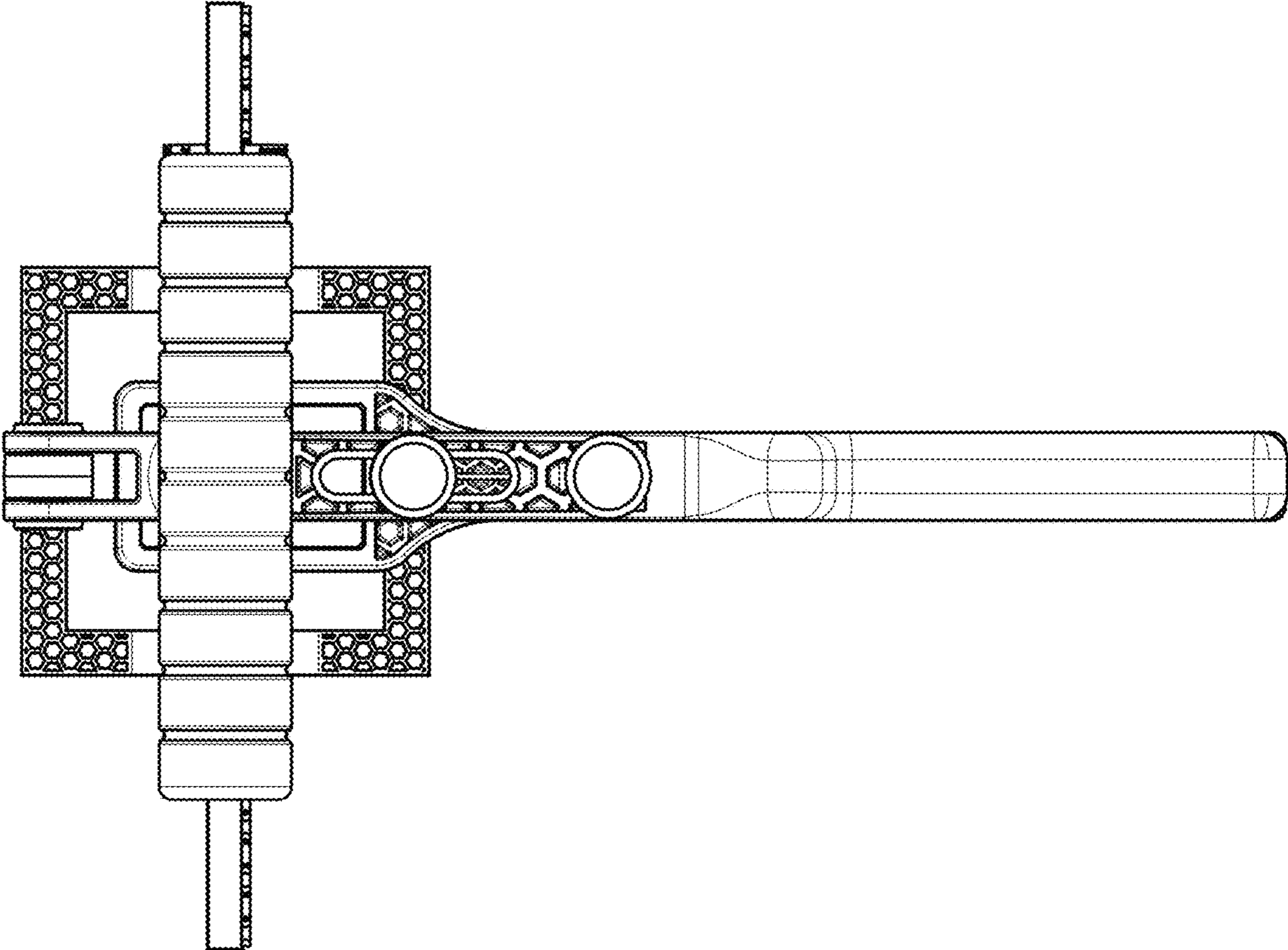
2.4



2.5



2.6



2.7

