

US00D925313S

(12) **United States Design Patent**
Hattori

(10) **Patent No.:** **US D925,313 S**

(45) **Date of Patent:** **** Jul. 20, 2021**

(54) **BINDING TOOL**

(71) Applicant: **MAX CO., LTD.**, Tokyo (JP)

(72) Inventor: **Takeo Hattori**, Tokyo (JP)

(73) Assignee: **MAX CO., LTD.**, Tokyo (JP)

(**) Term: **15 Years**

(21) Appl. No.: **29/725,067**

(22) Filed: **Feb. 21, 2020**

(30) **Foreign Application Priority Data**

Aug. 23, 2019 (JP) 2019-018681

(51) **LOC (13) Cl.** **08-05**

(52) **U.S. Cl.**

USPC **D8/44; D8/4**

(58) **Field of Classification Search**

USPC D8/4, 5, 44, 51, 61

CPC B65B 13/185; B65B 13/08; B65B 13/04;

B65B 13/345; B65B 3/183; B65B 27/105

See application file for complete search history.

(56) **References Cited**

U.S. PATENT DOCUMENTS

D408,698 S * 4/1999 Chen D8/44
6,382,289 B1 * 5/2002 Jho A01G 17/085
156/468

D716,618 S 11/2014 Escoda
9,736,997 B2 * 8/2017 Cho A01G 17/085
D828,124 S * 9/2018 Miwa D8/4
10,717,555 B2 * 7/2020 Ishiguro A01G 17/085
10,875,672 B2 * 12/2020 Taguchi B65B 13/345
2004/0237805 A1 * 12/2004 Hayashi B65B 13/345
100/1
2005/0028497 A1 * 2/2005 Hayashi A01G 17/085
53/592

2007/0089801 A1 * 4/2007 Hillegonds B21F 9/02
140/93.4

2008/0092981 A1 * 4/2008 Hillegonds B21F 9/02
140/93.4

2008/0104886 A1 * 5/2008 Nakamura B65B 13/305
47/1.01 S

(Continued)

FOREIGN PATENT DOCUMENTS

CN 302598172 10/2013
KR 300768890 11/2014

(Continued)

OTHER PUBLICATIONS

FUNTECK Play tying tool, Published for sale on AMAZON.com.
Reviewed Aug. 27, 2019.*

(Continued)

Primary Examiner — Philip S Hyder

(74) *Attorney, Agent, or Firm* — Rothwell, Figg, Ernst &
Manbeck, P.C.

(57)

CLAIM

The ornamental design for a binding tool, as shown and
described.

DESCRIPTION

FIG. 1 is a perspective view of the front, top and left side of
a binding tool showing my new design;

FIG. 2 is a perspective view of the rear, top and right side
thereof;

FIG. 3 is a front view thereof;

FIG. 4 is a rear view thereof;

FIG. 5 is a left side view thereof;

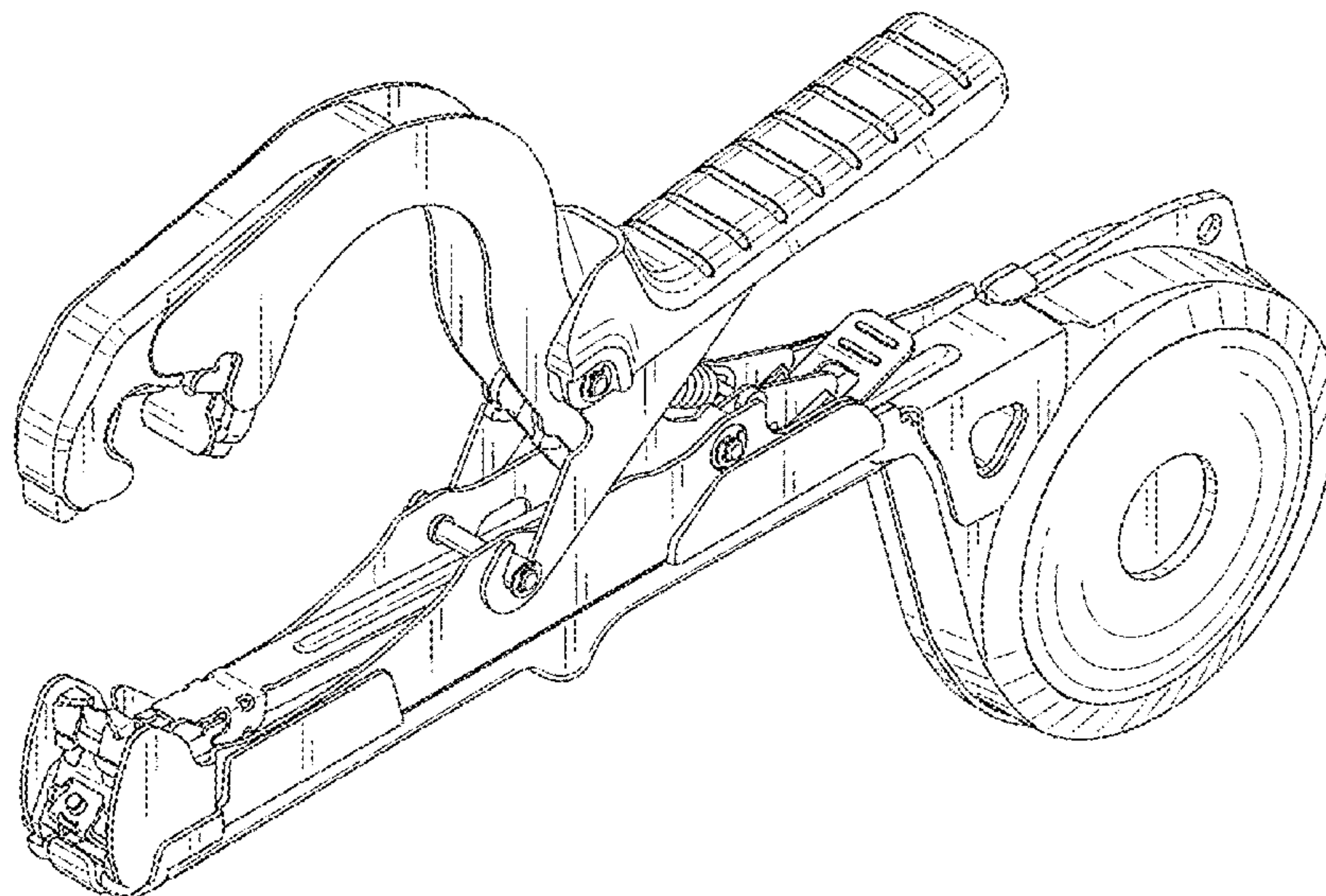
FIG. 6 is a right side view thereof;

FIG. 7 is a top view thereof; and,

FIG. 8 is a bottom view thereof.

The broken line showing of the binding tool is included for
the purpose of illustrating portions of the binding tool and
forms no part of the claimed design.

1 Claim, 6 Drawing Sheets



(56)

References Cited

U.S. PATENT DOCUMENTS

2015/0181810 A1* 7/2015 Cho A01G 17/085
227/120
2016/0230907 A1* 8/2016 Kitago B65D 63/00
2017/0359971 A1* 12/2017 Hayashi A01G 17/085
2017/0361960 A1* 12/2017 Taguchi B65B 13/185
2018/0099768 A1* 4/2018 Takemura B65B 13/345

FOREIGN PATENT DOCUMENTS

KR 300923934 9/2017
TW D185798 10/2017

OTHER PUBLICATIONS

Taiwanese Office Action for TW10920987620 dated Oct. 16, 2020
(non english).

* cited by examiner

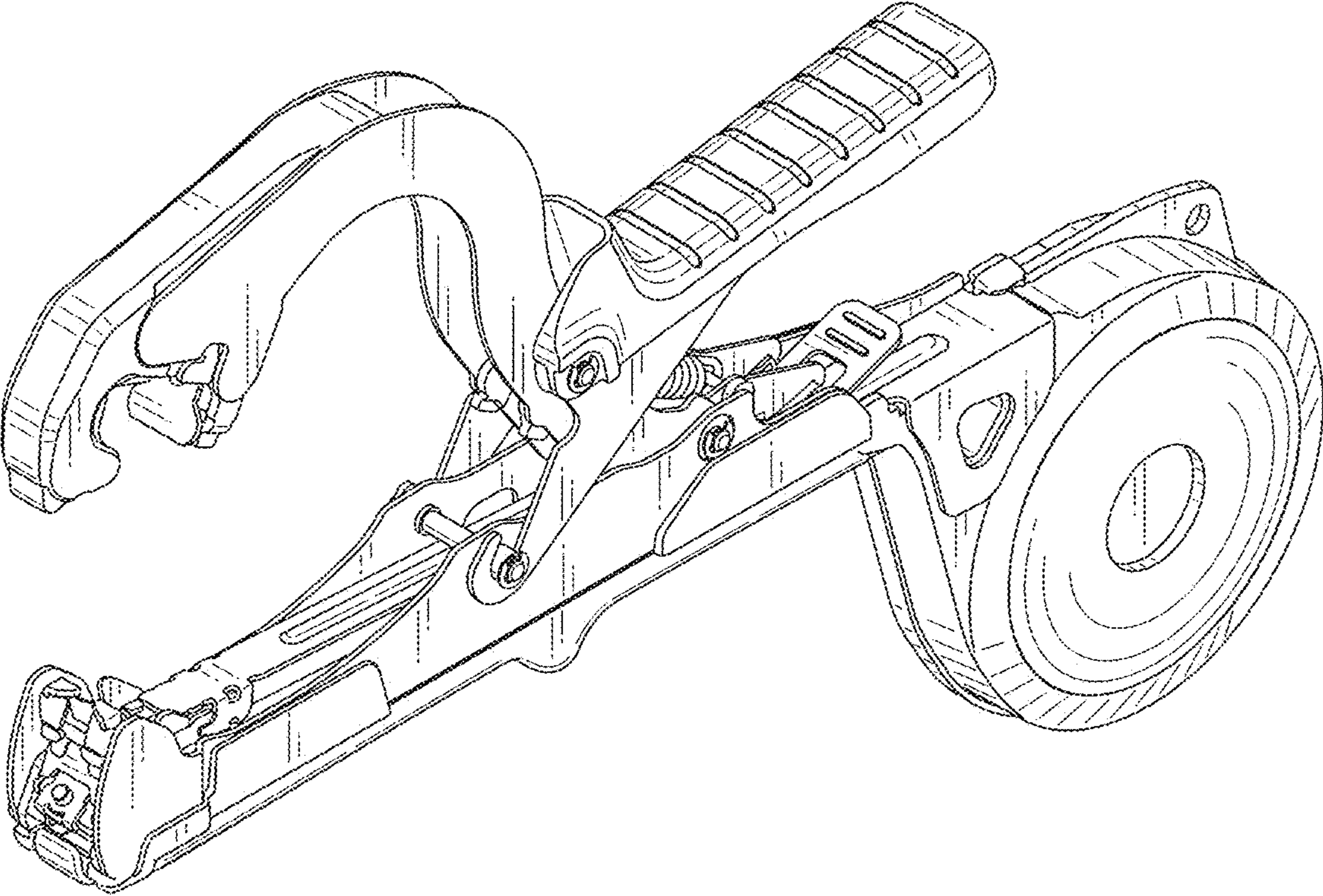


FIG. 1

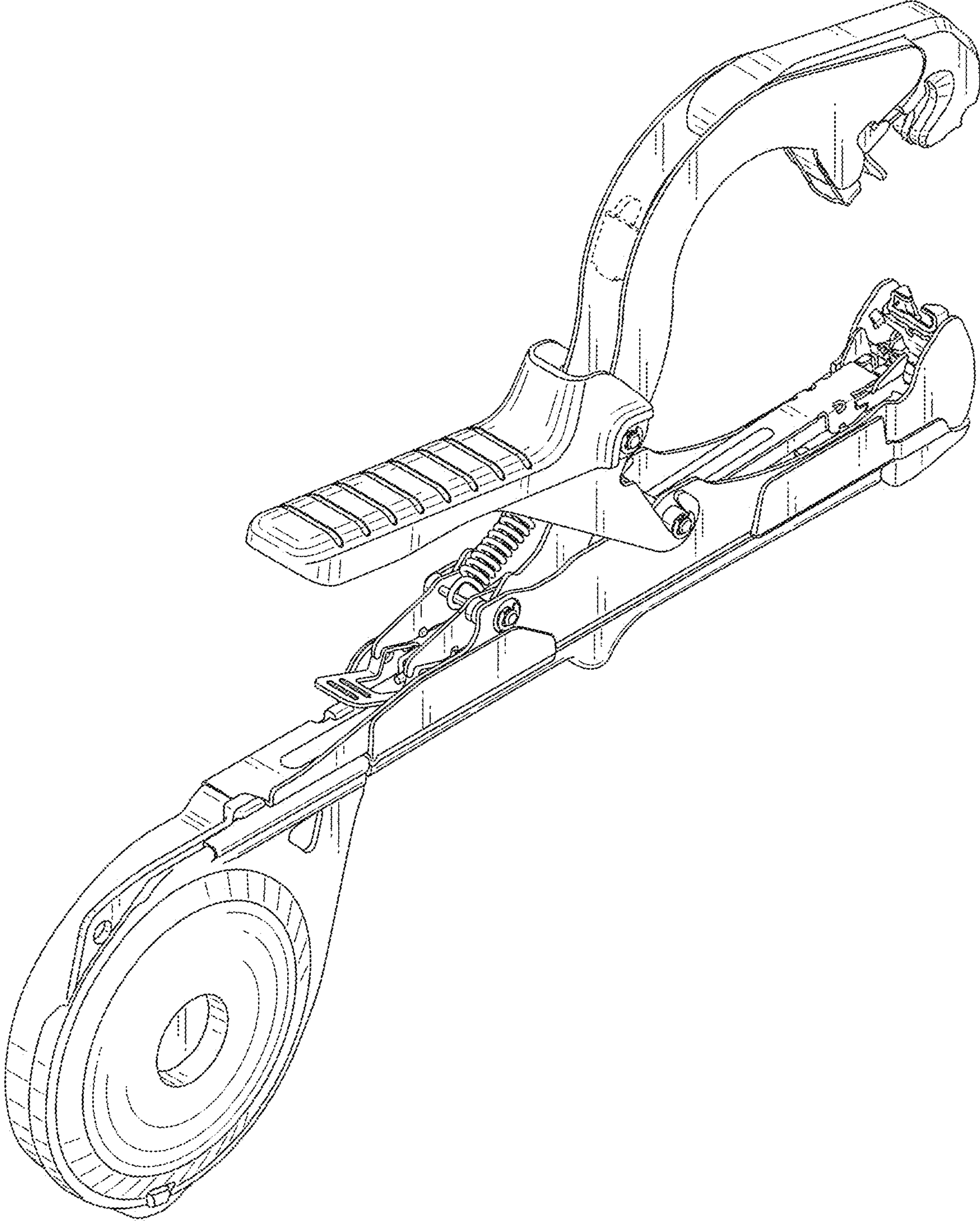


FIG. 2

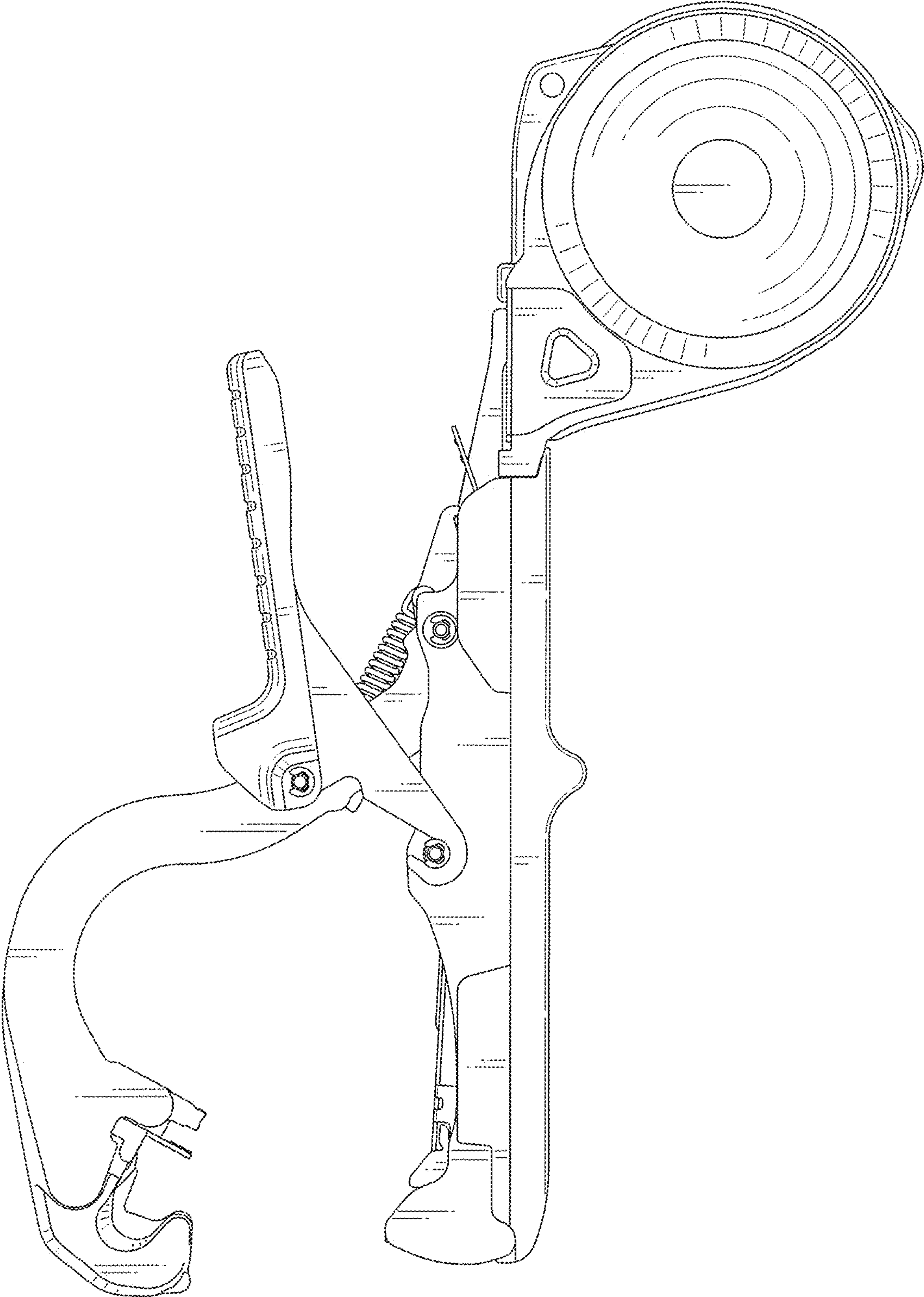


FIG. 3

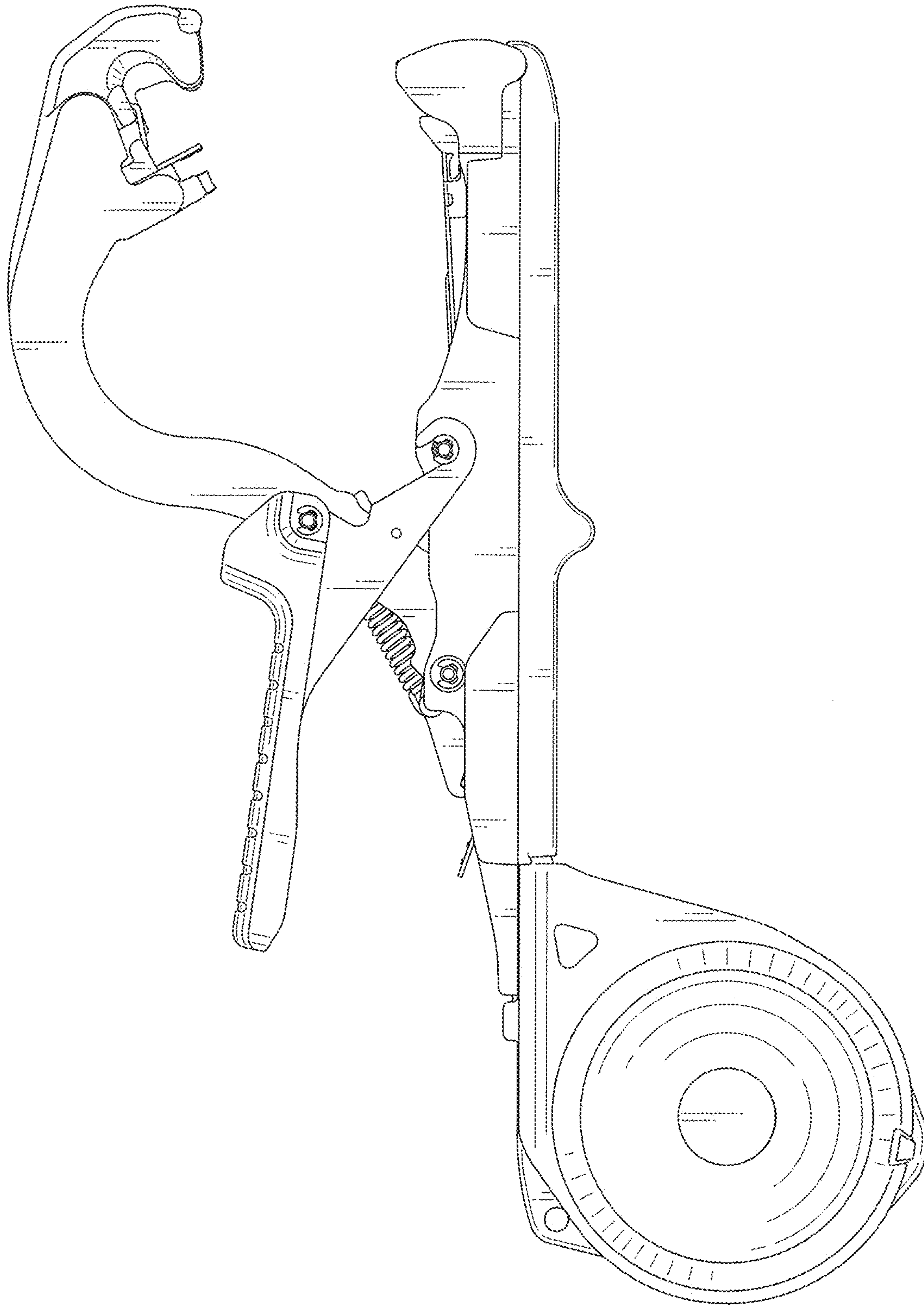


FIG. 4

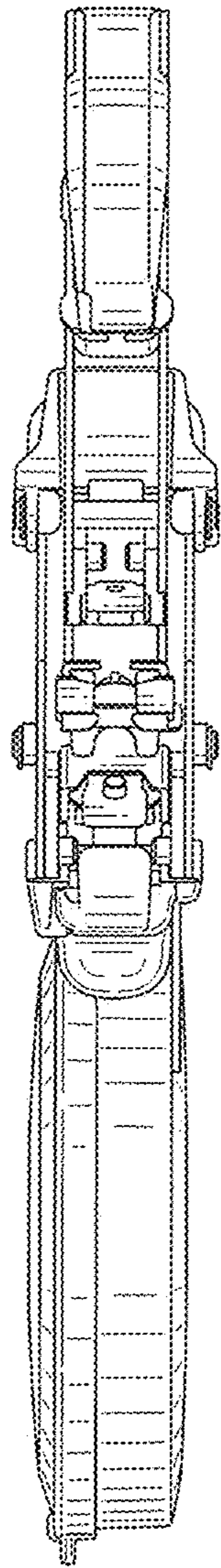


FIG. 5

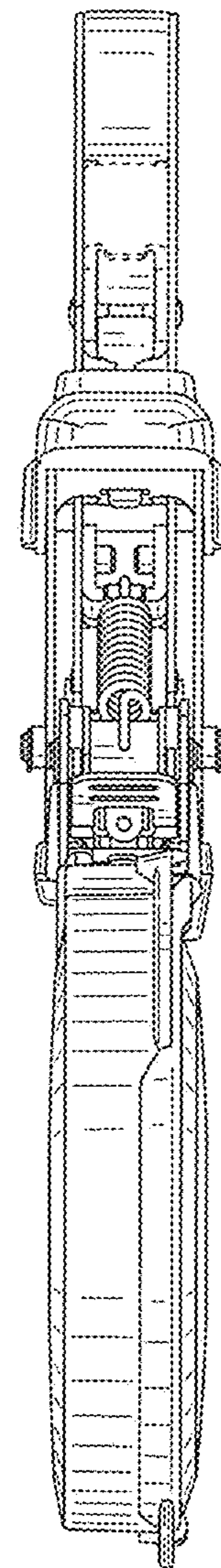


FIG. 6

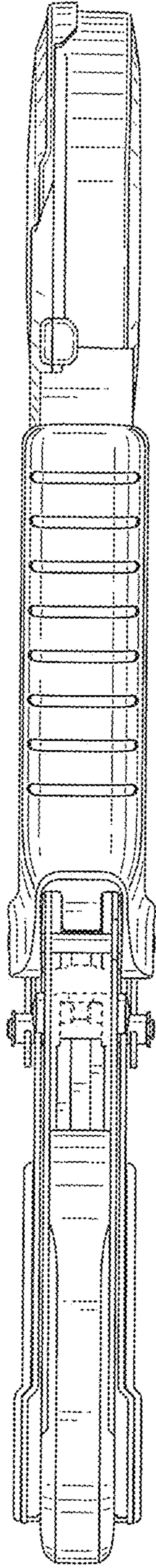


FIG. 7

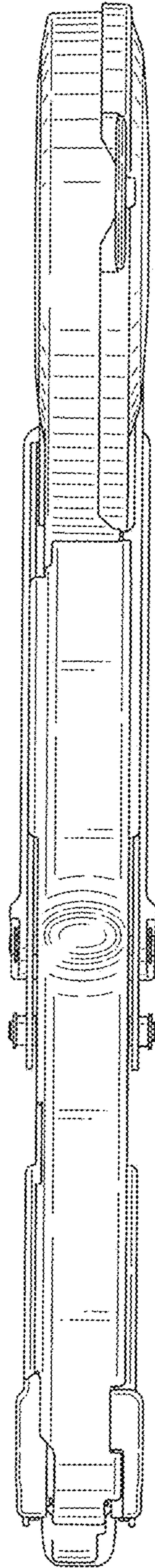


FIG. 8