



US00D925306S

(12) **United States Design Patent** (10) **Patent No.:** **US D925,306 S**  
**Lind et al.** (45) **Date of Patent:** **\*\* Jul. 20, 2021**

(54) **MATTOCK TOOL**

(71) Applicant: **The Great States Corporation,**  
Indianapolis, IN (US)

(72) Inventors: **Matthias Lind,** Indianapolis, IN (US);  
**Michael Kersey,** Noblesville, IN (US)

(73) Assignee: **The Great States Corporation,**  
Indianapolis, IN (US)

(\*\*) Term: **15 Years**

(21) Appl. No.: **29/721,683**

(22) Filed: **Jan. 22, 2020**

(51) **LOC (13) Cl.** ..... **08-01**

(52) **U.S. Cl.**  
USPC ..... **D8/11**

(58) **Field of Classification Search**  
USPC ..... D8/11, 9, 76, 81, 89, 78; D29/124  
(Continued)

(56) **References Cited**

U.S. PATENT DOCUMENTS

87,368 A *	3/1869	Ross	.....	A01B 1/20
				172/375
424,244 A *	3/1890	Adsit	.....	A01B 1/08
				172/381

(Continued)

*Primary Examiner* — Holly E Thurman

*Assistant Examiner* — Ieisha N Price

(74) *Attorney, Agent, or Firm* — Miller Johnson; Brandon C. Griffith

(57) **CLAIM**

We claim the ornamental design for a mattock tool, as shown and described.

**DESCRIPTION**

FIG. 1 is a top perspective view of a first embodiment of a mattock tool showing our new design;

FIG. 2 is a bottom perspective view of the mattock tool of FIG. 1;

FIG. 3 is a front view of the mattock tool of FIG. 1, the opposing rear view being identical thereto;

FIG. 4 is a right side view of the mattock tool of FIG. 1;

FIG. 5 is a left side view of the mattock tool of FIG. 1;

FIG. 6 is a top view of the mattock tool of FIG. 1;

FIG. 7 is a bottom view of the mattock tool of FIG. 1;

FIG. 8 is a top perspective view of a second embodiment of a mattock tool showing our new design;

FIG. 9 is a bottom perspective view of the mattock tool of FIG. 8;

FIG. 10 is a front view of the mattock tool of FIG. 8, the opposing rear view being identical thereto;

FIG. 11 is a right side view of the mattock tool of FIG. 8;

FIG. 12 is a left side view of the mattock tool of FIG. 8;

FIG. 13 is a top view of the mattock tool of FIG. 8;

FIG. 14 is a bottom view of the mattock tool of FIG. 8;

FIG. 15 is a top perspective view of a third embodiment of a mattock tool showing our new design;

FIG. 16 is a bottom perspective view of the mattock tool of FIG. 15;

FIG. 17 is a front view of the mattock tool of FIG. 15, the opposing rear view being identical thereto;

FIG. 18 is a right side view of the mattock tool of FIG. 15;

FIG. 19 is a left side view of the mattock tool of FIG. 15;

FIG. 20 is a top view of the mattock tool of FIG. 15;

FIG. 21 is a bottom view of the mattock tool of FIG. 15;

FIG. 22 is a top perspective view of a fourth embodiment of a mattock tool showing our new design;

FIG. 23 is a bottom perspective view of the mattock tool of FIG. 22;

FIG. 24 is a front view of the mattock tool of FIG. 22, the opposing rear view being identical thereto;

FIG. 25 is a right side view of the mattock tool of FIG. 22;

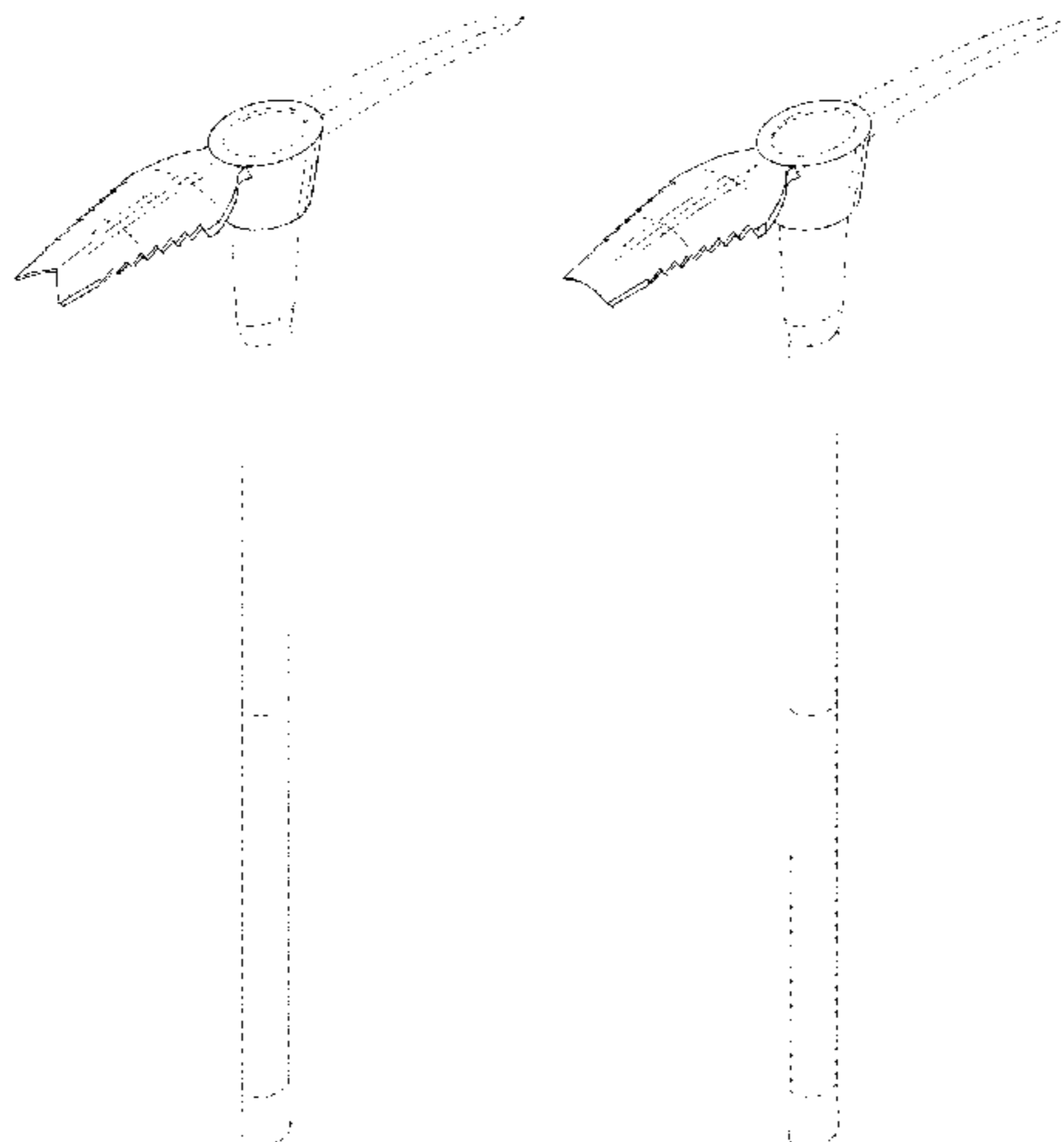
FIG. 26 is a left side view of the mattock tool of FIG. 22;

FIG. 27 is a top view of the mattock tool of FIG. 22; and,

FIG. 28 is a bottom view of the mattock tool of FIG. 22.

The dash-dash broken lines in the drawings illustrate portions of the mattock tool and form no part of the claimed design. The dot-dot-dash broken lines in the drawings define the bounds of the claim and form no part thereof. The shade

(Continued)



lines in the drawing views show contour and not surface ornamentation of the claimed design.

**1 Claim, 20 Drawing Sheets**

**(58) Field of Classification Search**

CPC .... A01B 1/06; A01B 1/08; A01B 1/10; A01B 1/12; A01B 1/16; A01B 1/20; A01B 1/22; A01B 1/222; A01B 1/227

See application file for complete search history.

**(56) References Cited**

U.S. PATENT DOCUMENTS

457,871 A 8/1891 Silliman  
 502,720 A \* 8/1893 Hazel ..... A01B 1/08  
 172/381  
 509,264 A \* 11/1893 Thompson ..... A01B 1/20  
 172/375  
 D33,378 S \* 10/1900 Toups ..... D8/11  
 1,153,202 A \* 9/1915 Dock ..... A01B 1/08  
 172/371  
 1,280,465 A \* 10/1918 Herron ..... A01B 1/20  
 172/375  
 1,728,195 A \* 9/1929 Barnes ..... A01B 1/222  
 403/201  
 1,869,573 A \* 8/1932 McMeans ..... A01B 1/06  
 172/375  
 1,881,112 A 10/1932 David  
 1,908,735 A 5/1933 Donaldson  
 D123,051 S \* 10/1940 Farmer ..... D8/11  
 2,266,677 A \* 12/1941 Ing ..... A01B 1/06  
 172/378  
 D238,042 S \* 12/1975 Anker ..... D8/9  
 D279,348 S \* 6/1985 Clivio ..... D8/11  
 D301,679 S \* 6/1989 Kokkinos ..... D8/105  
 D303,341 S \* 9/1989 Zabarte ..... D8/11  
 D341,070 S \* 11/1993 Warren ..... D8/11  
 5,520,429 A 5/1996 Gregory  
 D380,654 S \* 7/1997 Chen ..... D8/11  
 5,669,649 A 9/1997 Metcalf  
 5,964,299 A \* 10/1999 Padgett ..... A01G 3/06  
 172/13  
 D440,834 S \* 4/2001 Khachatoorian ..... D8/11  
 D440,835 S \* 4/2001 Khachatoorian ..... D8/11  
 D440,836 S \* 4/2001 Khachatoorian ..... D8/11  
 D441,262 S \* 5/2001 Khachatoorian ..... D8/11

D476,201 S \* 6/2003 Atnip ..... D8/11  
 D486,362 S \* 2/2004 Atnip ..... D8/11  
 D563,742 S 3/2008 Baker  
 D564,313 S 3/2008 Baker  
 D564,314 S 3/2008 Baker  
 D564,315 S 3/2008 Baker  
 D569,202 S 5/2008 Baker  
 D569,697 S 5/2008 Baker  
 D569,698 S 5/2008 Baker  
 D570,653 S 6/2008 Baker  
 D570,654 S 6/2008 Baker  
 D572,993 S \* 7/2008 Baty ..... D8/11  
 D579,287 S 10/2008 Hyp et al.  
 D579,288 S 10/2008 Baker  
 D588,424 S 3/2009 Baker, II  
 D588,882 S 3/2009 Baker, II  
 D595,550 S 7/2009 Wong et al.  
 D623,488 S 9/2010 Randolph et al.  
 D626,390 S 11/2010 Randolph et al.  
 7,836,557 B2 11/2010 Baker  
 8,006,351 B2 8/2011 Baker  
 D646,535 S \* 10/2011 Mertel ..... D8/11  
 D661,958 S \* 6/2012 Pizzeta ..... D8/11  
 D665,637 S 8/2012 Baker  
 D682,055 S 5/2013 Hyp et al.  
 D682,642 S 5/2013 Baker  
 D684,441 S 6/2013 Baker  
 D690,181 S \* 9/2013 Sykes ..... D8/76  
 D723,348 S \* 3/2015 Preston ..... D8/76  
 D770,249 S 11/2016 Mathieu  
 D770,259 S \* 11/2016 Stokes ..... D8/76  
 D774,854 S \* 12/2016 Aldama ..... D8/11  
 D799,288 S 10/2017 Baker  
 D810,527 S 2/2018 Baker  
 D810,528 S 2/2018 Baker  
 D810,529 S 2/2018 Baker  
 D813,622 S 3/2018 Baker  
 D823,081 S 7/2018 Baker  
 D828,732 S \* 9/2018 Workman ..... D8/11  
 2004/0244117 A1 \* 12/2004 Huang ..... A01B 1/227  
 7/114  
 2008/0309106 A1 12/2008 Baker  
 2010/0051297 A1 3/2010 Mathieu  
 2012/0037384 A1 \* 2/2012 Mertel ..... A01B 1/08  
 172/375  
 2014/0345892 A1 \* 11/2014 Cacela ..... A01B 1/12  
 172/378  
 2015/0129258 A1 \* 5/2015 Macey ..... A01B 1/12  
 172/378

\* cited by examiner

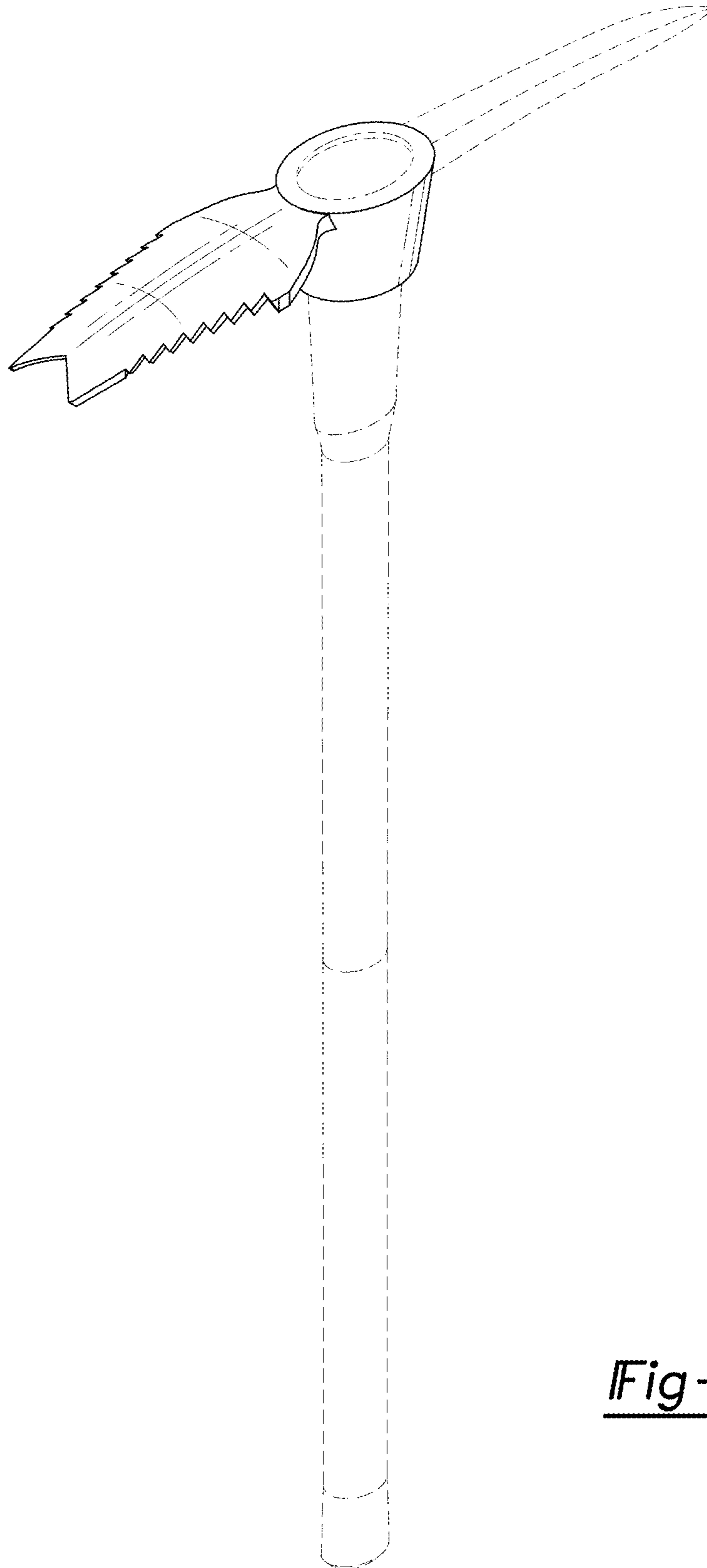


Fig-1

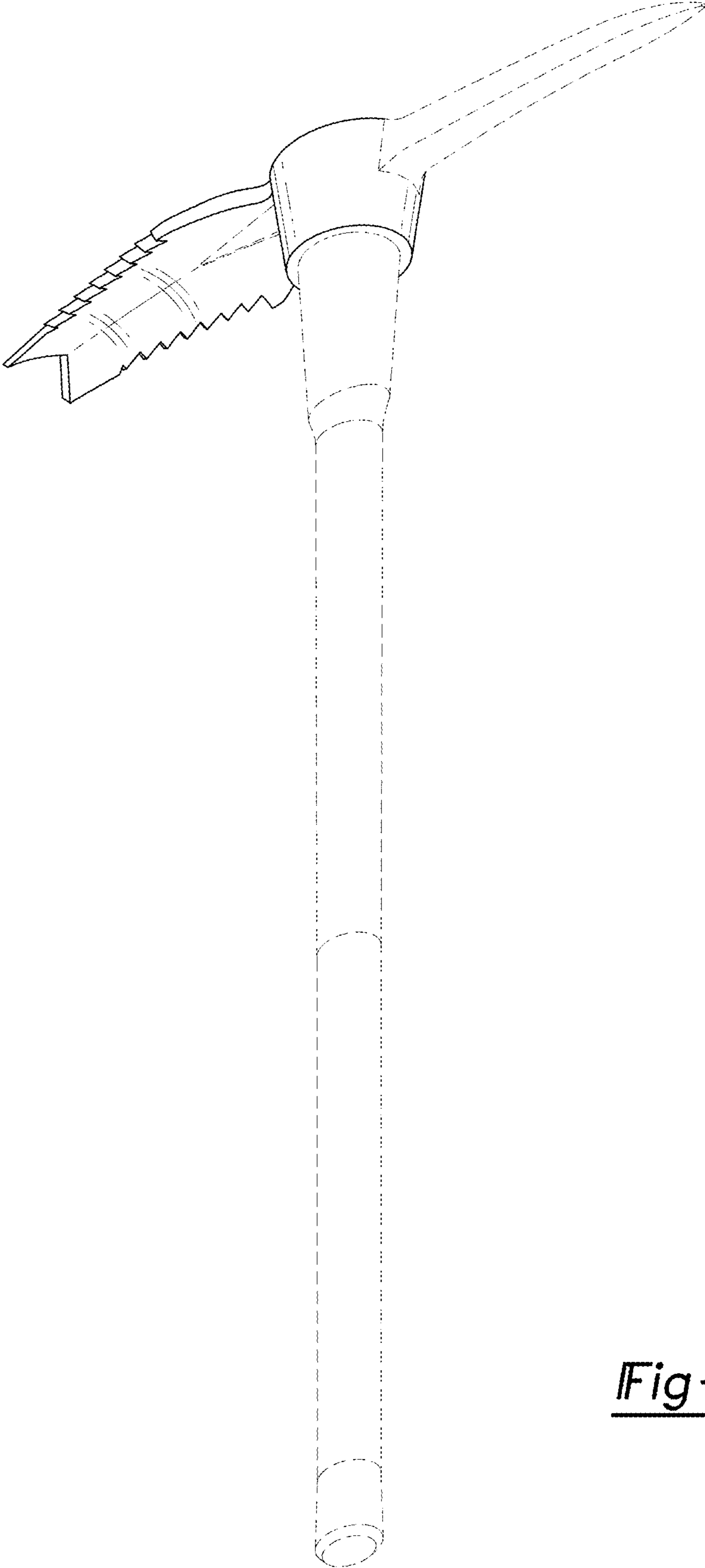


Fig-2

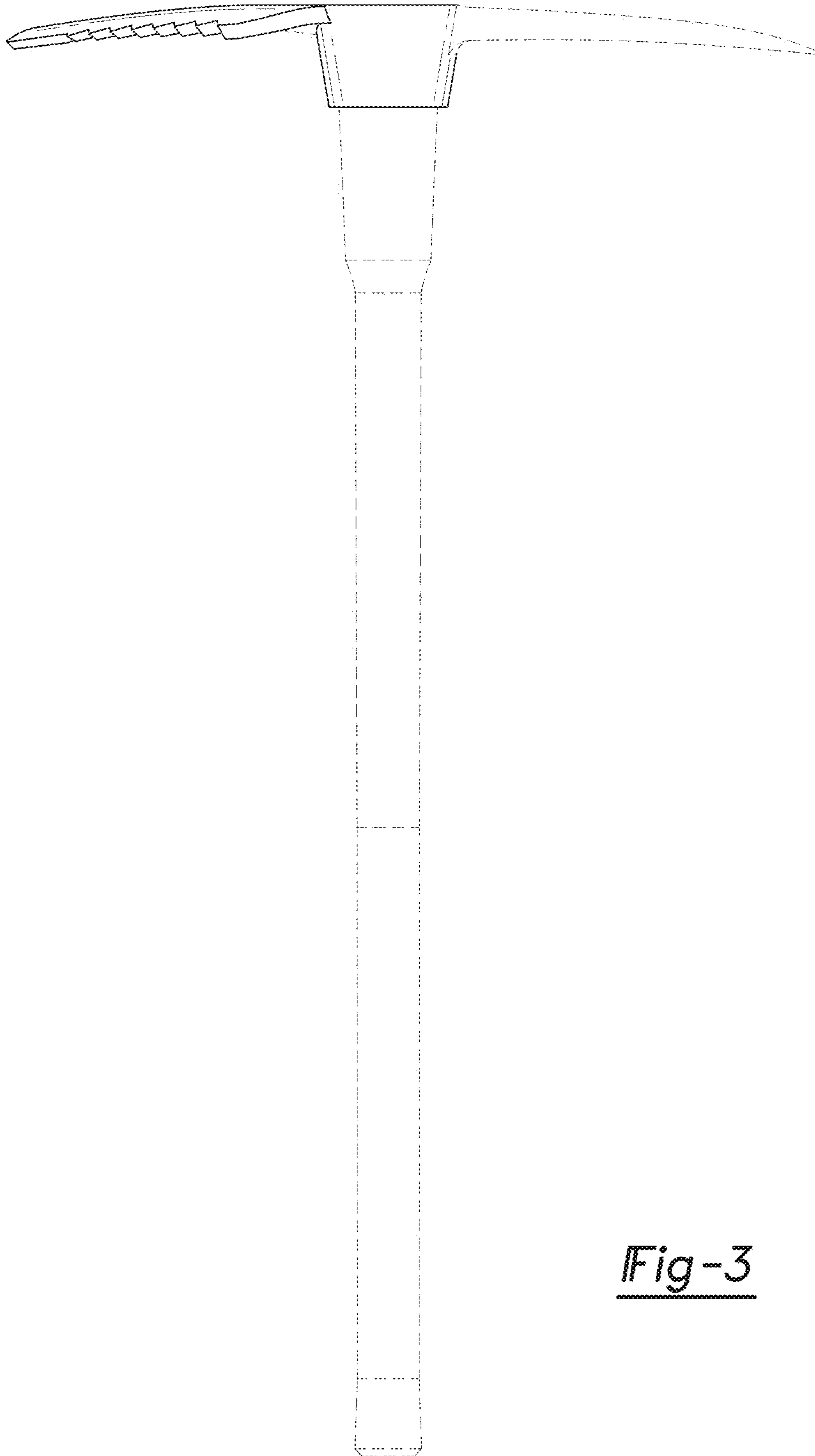


Fig-3

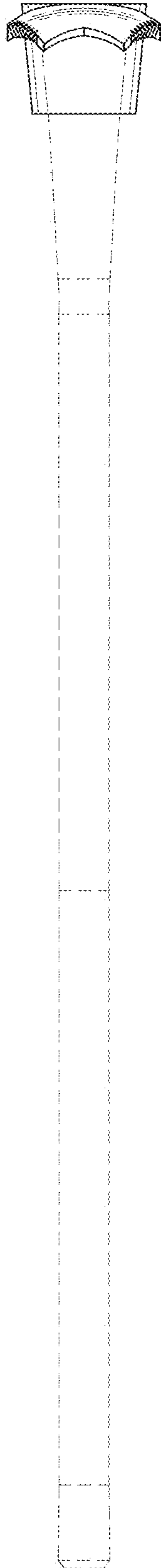


Fig-4

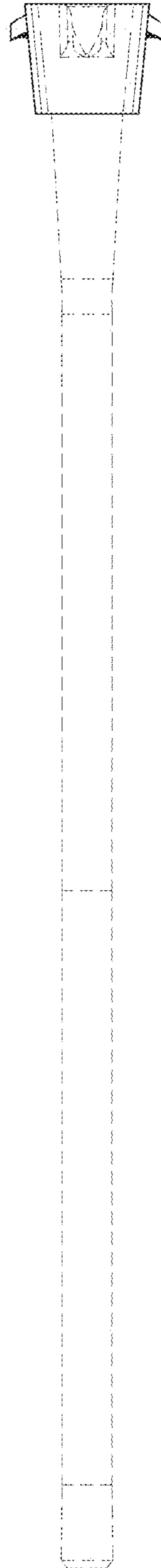


Fig-5

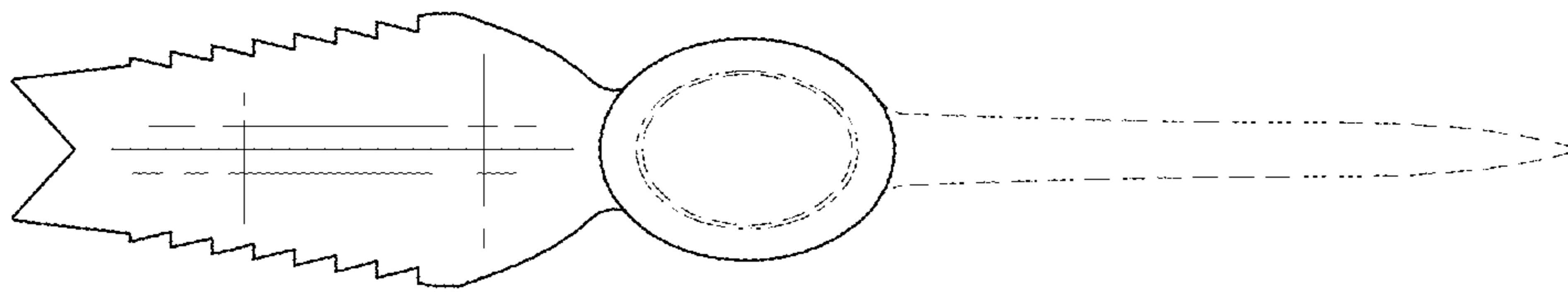


Fig-6

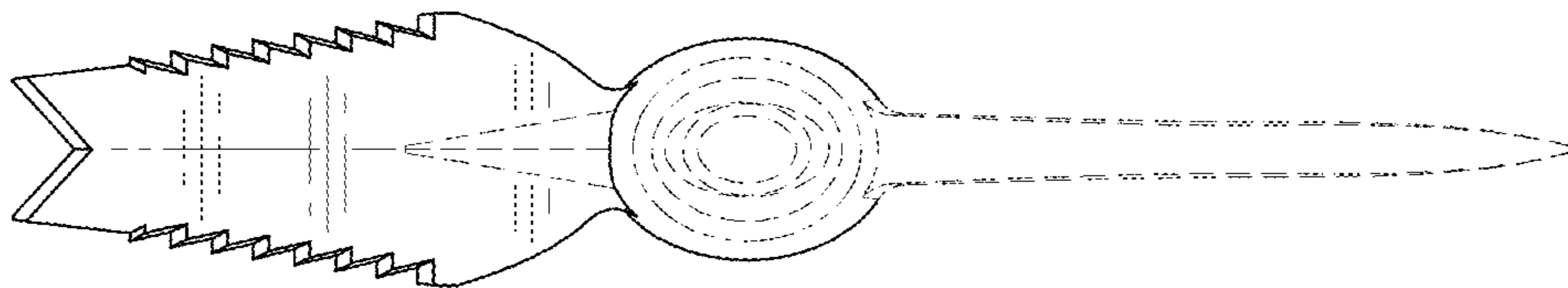


Fig-7

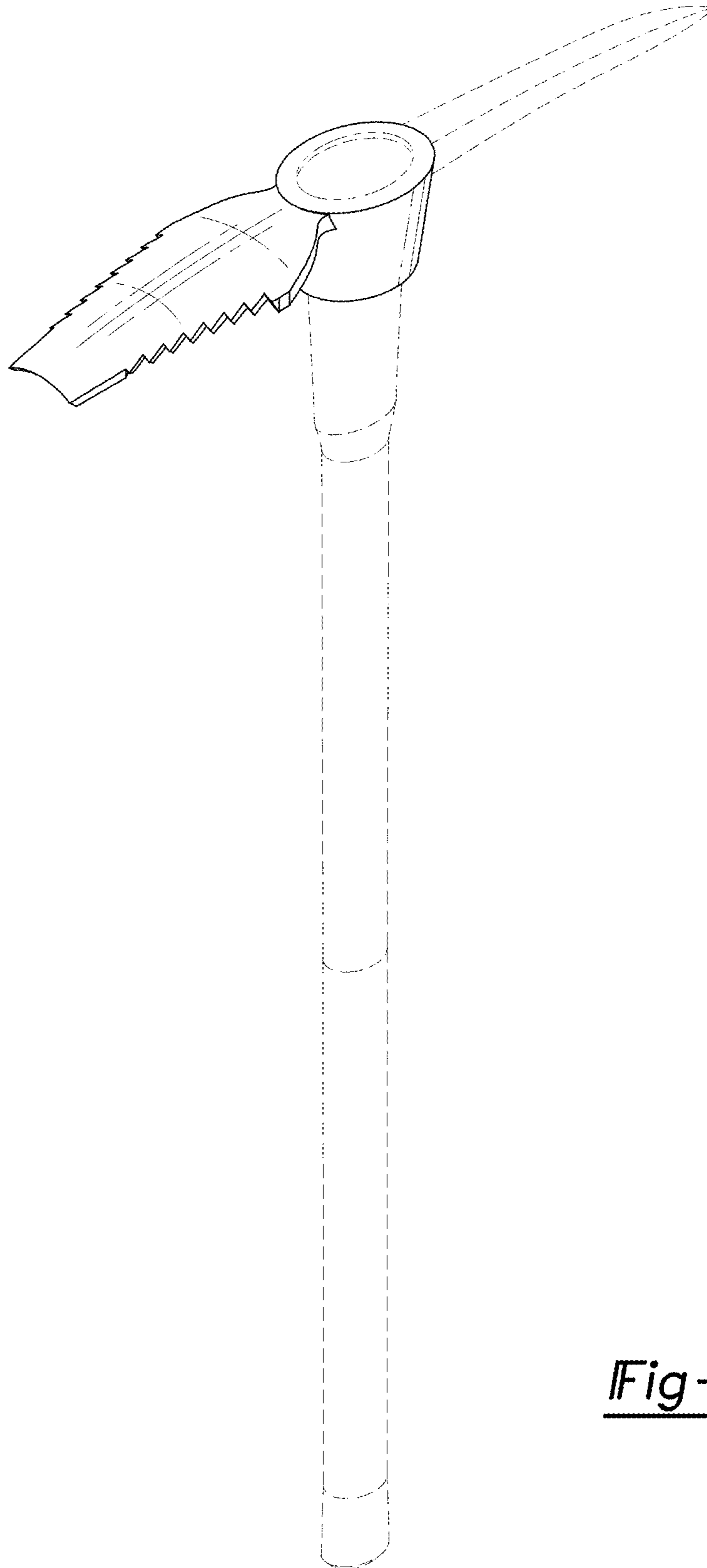


Fig-8



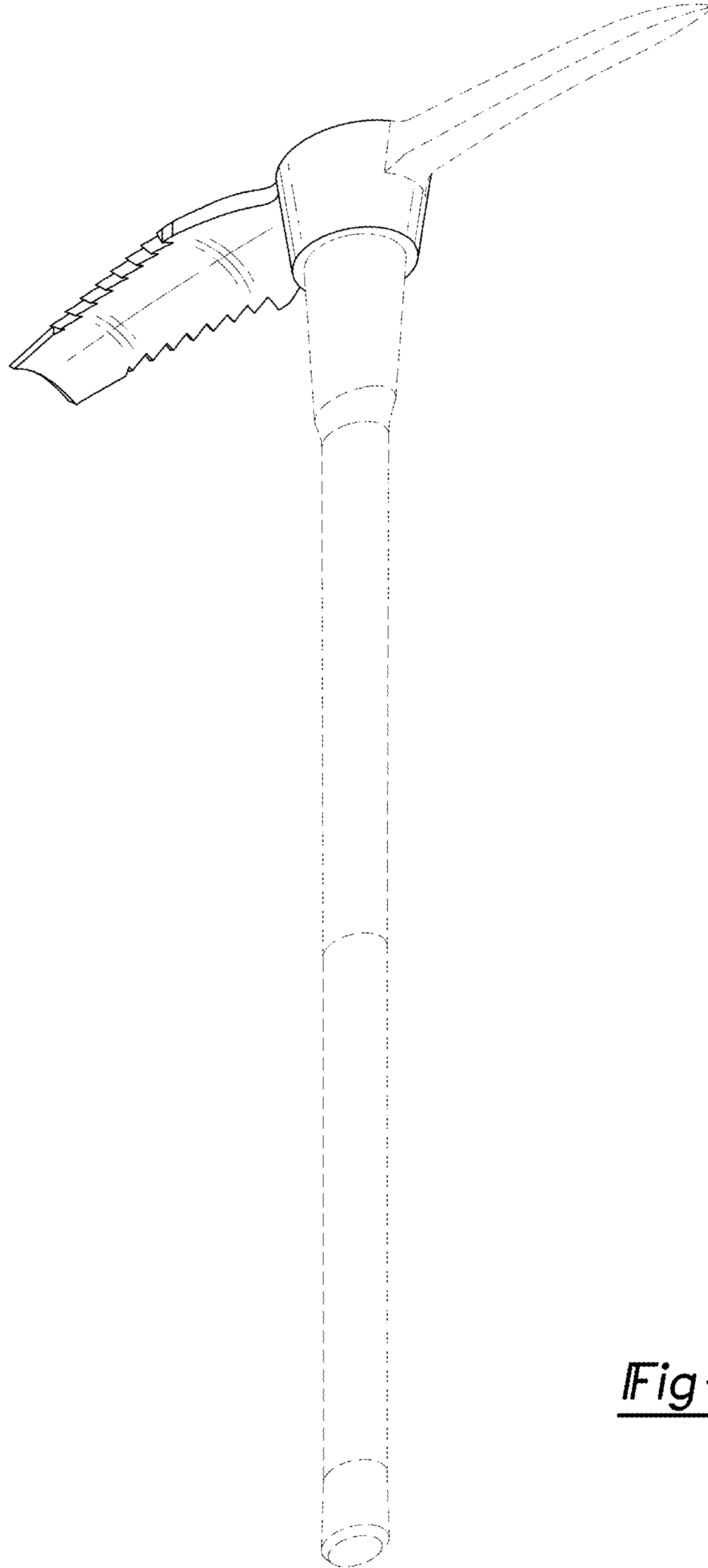


Fig-9

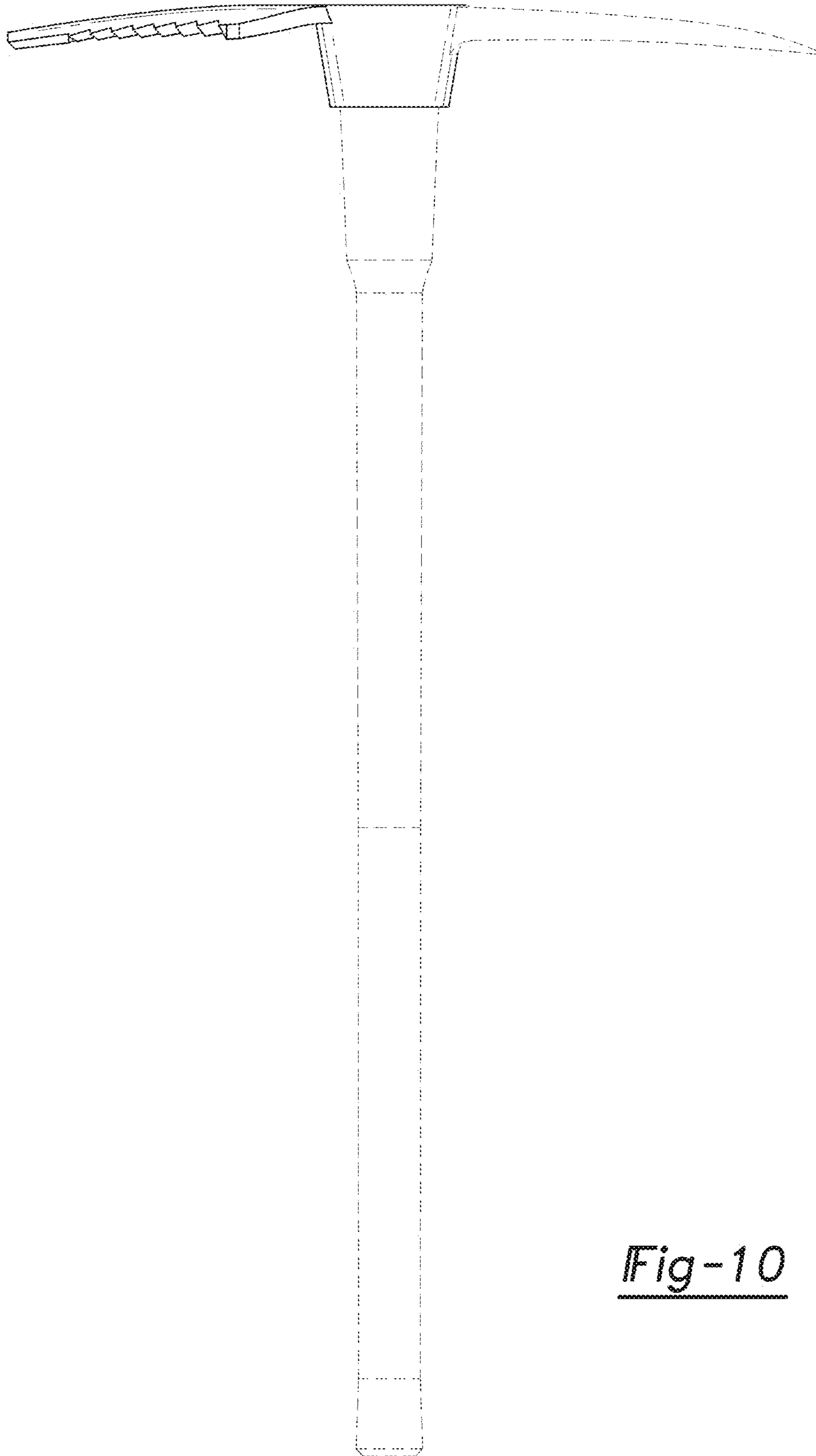


Fig-10

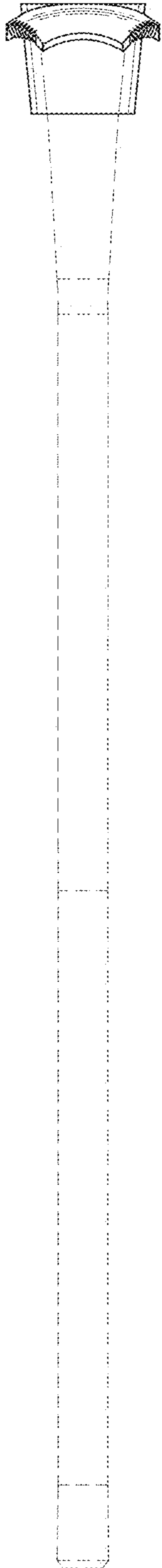


Fig-11

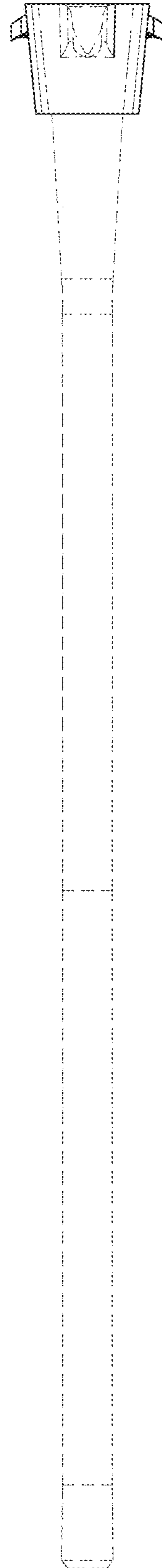


Fig-12

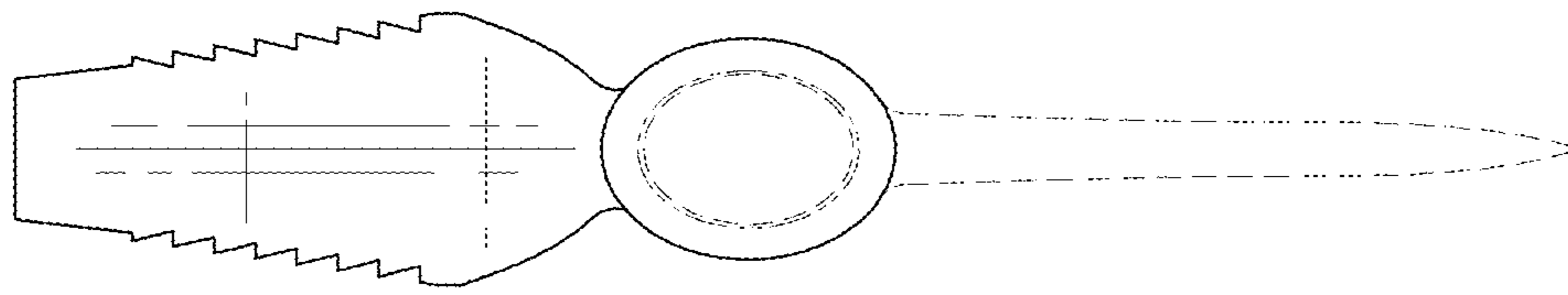


Fig-13

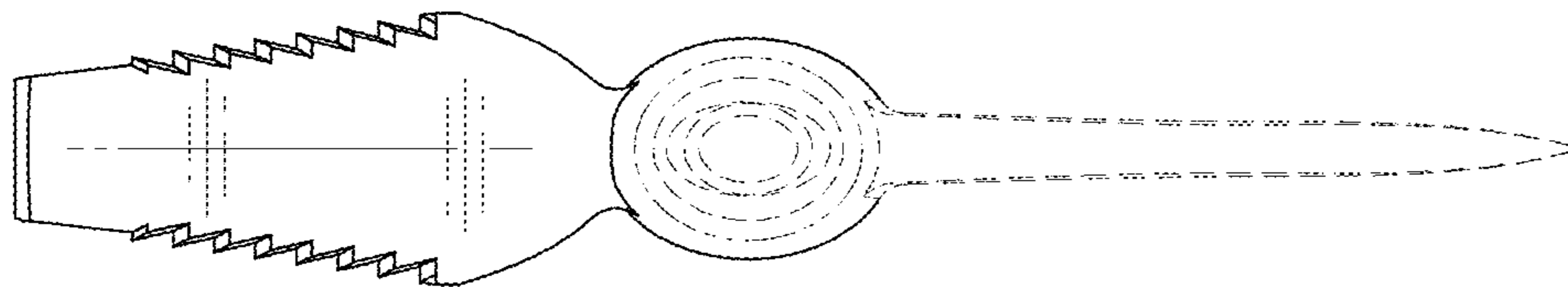


Fig-14

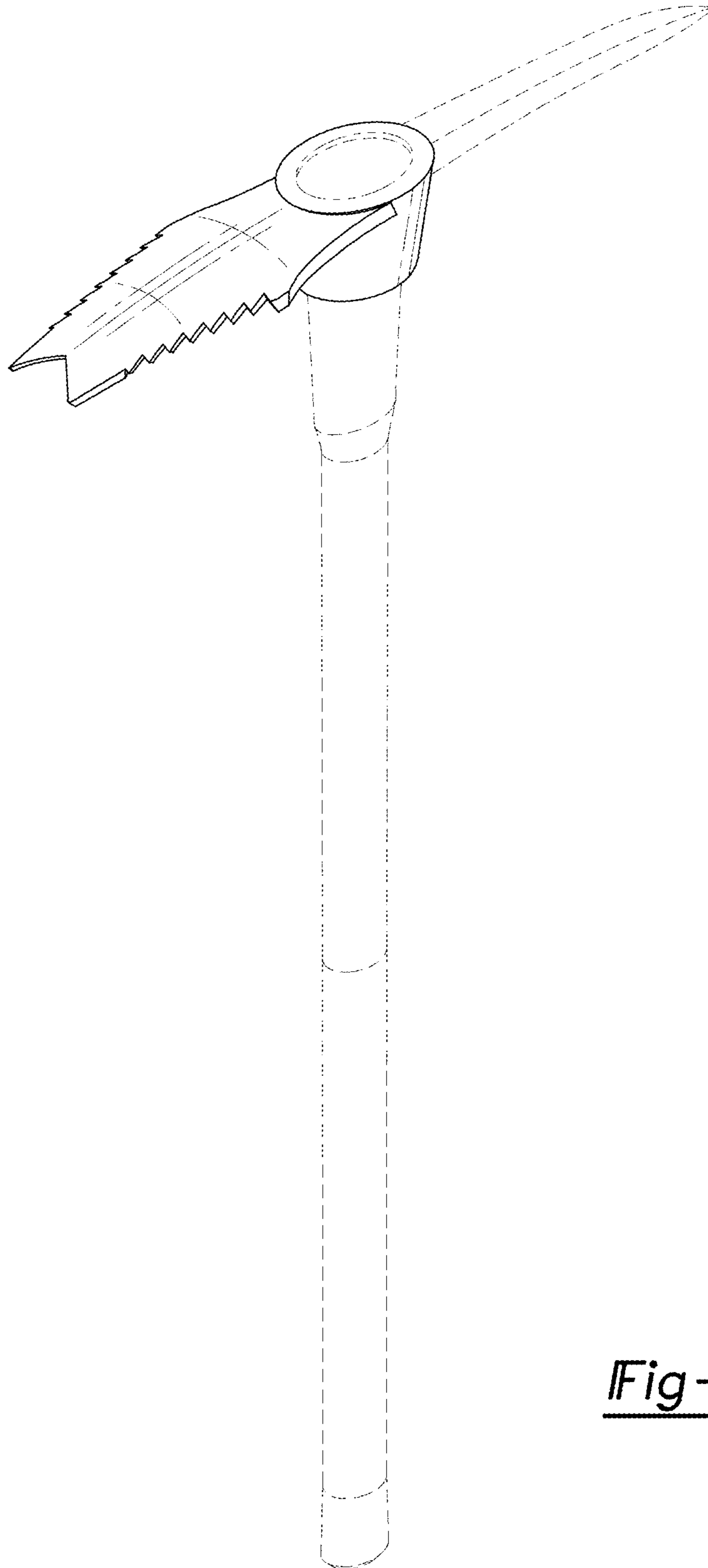


Fig-15

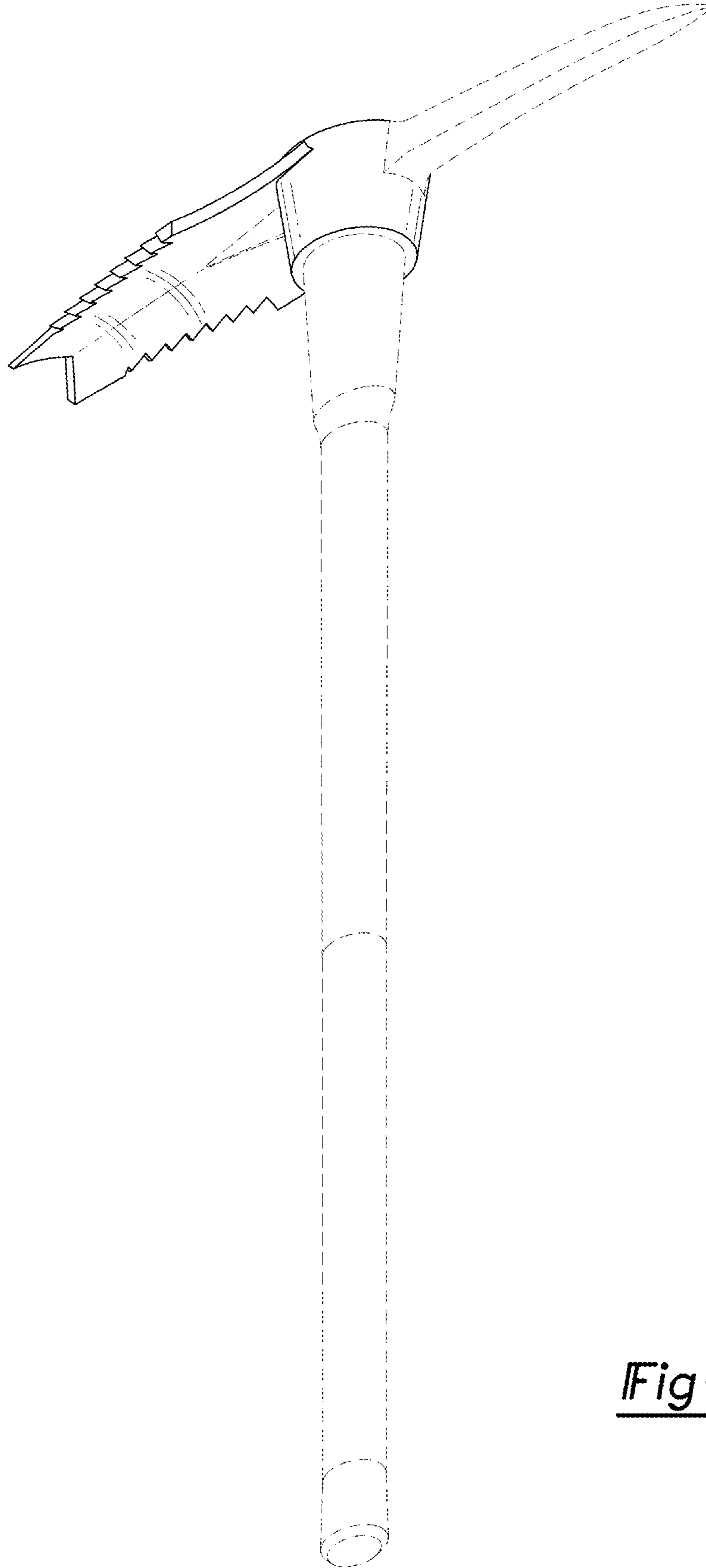


Fig-16

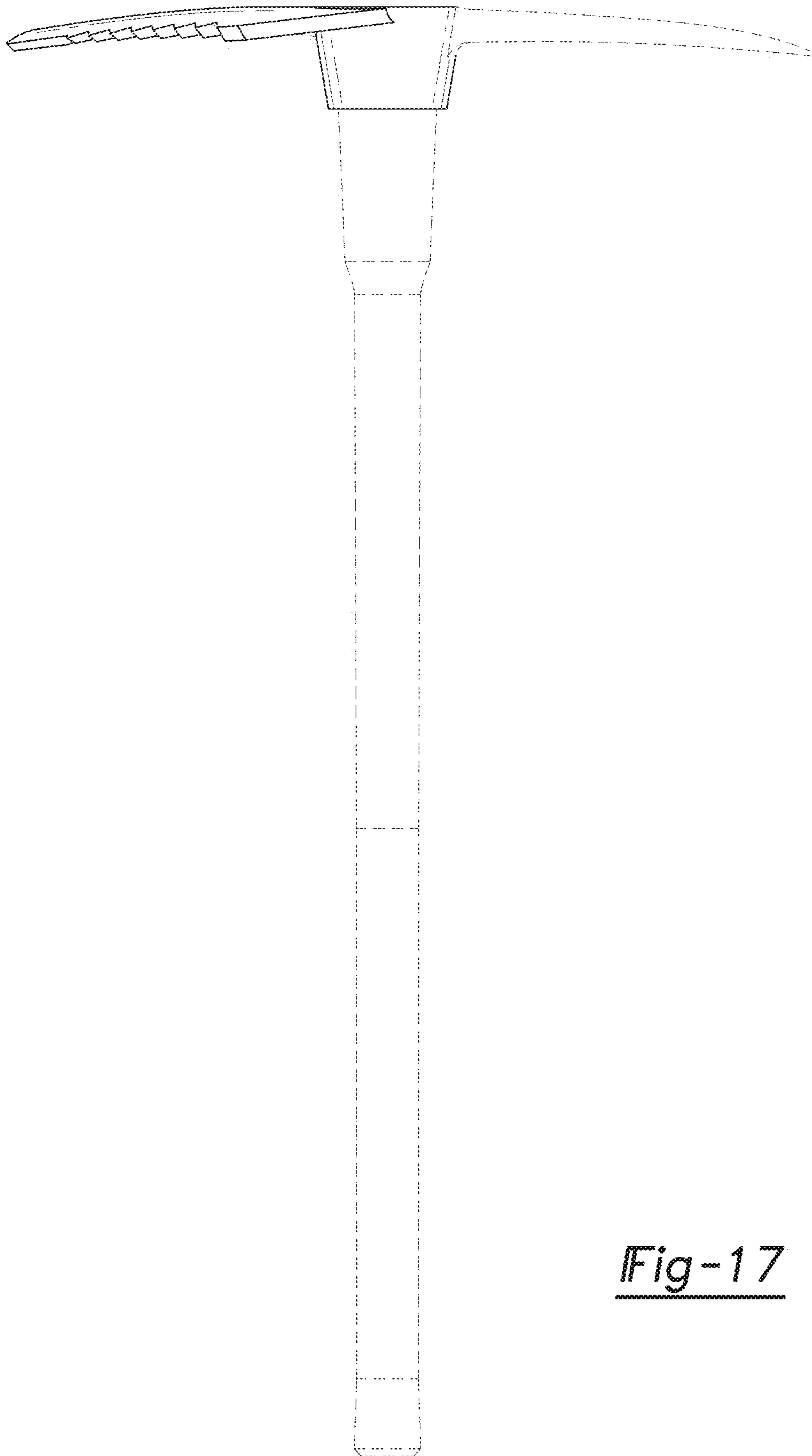


Fig-17

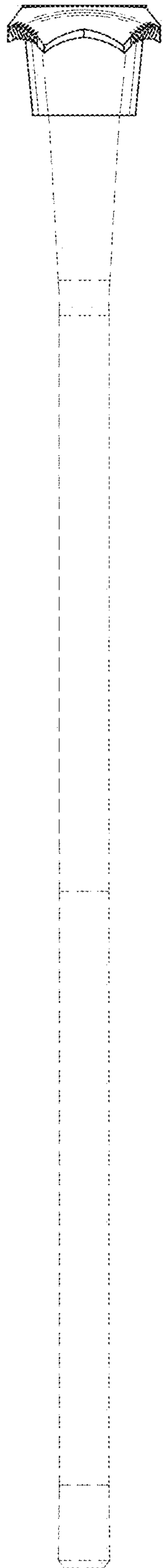


Fig-18

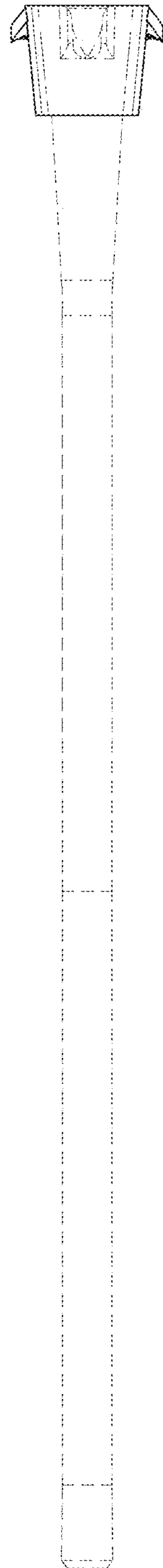


Fig-19



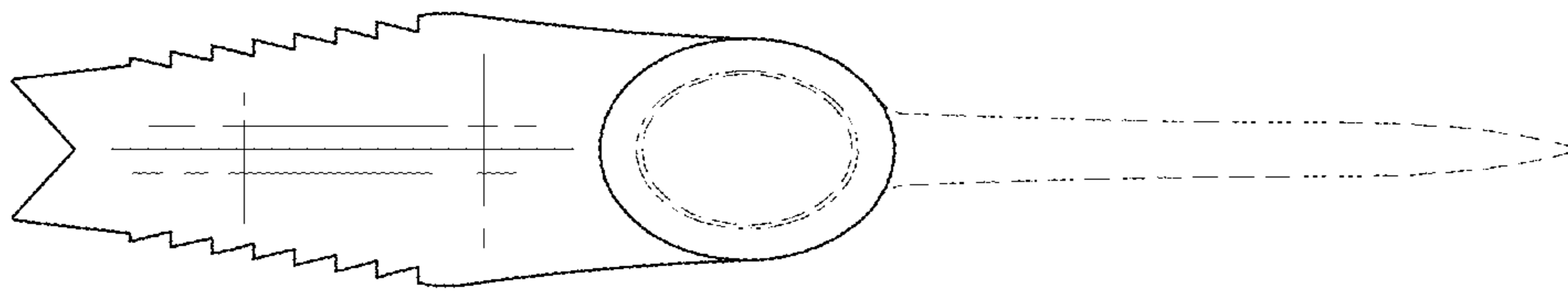


Fig-20

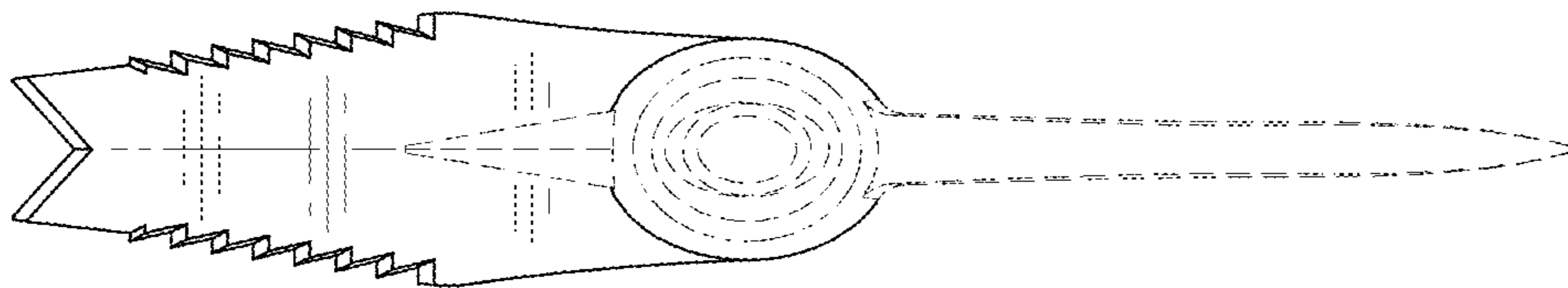


Fig-21

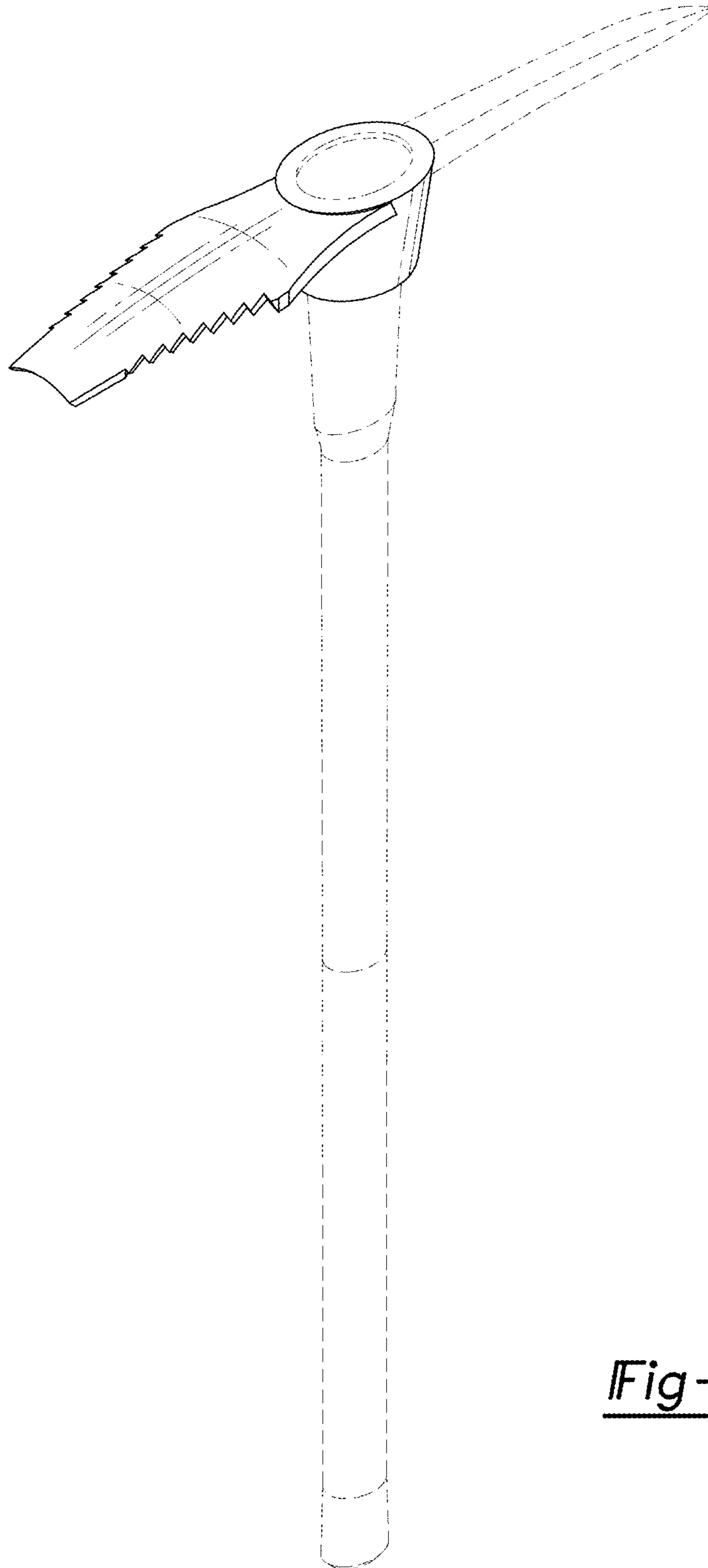


Fig-22

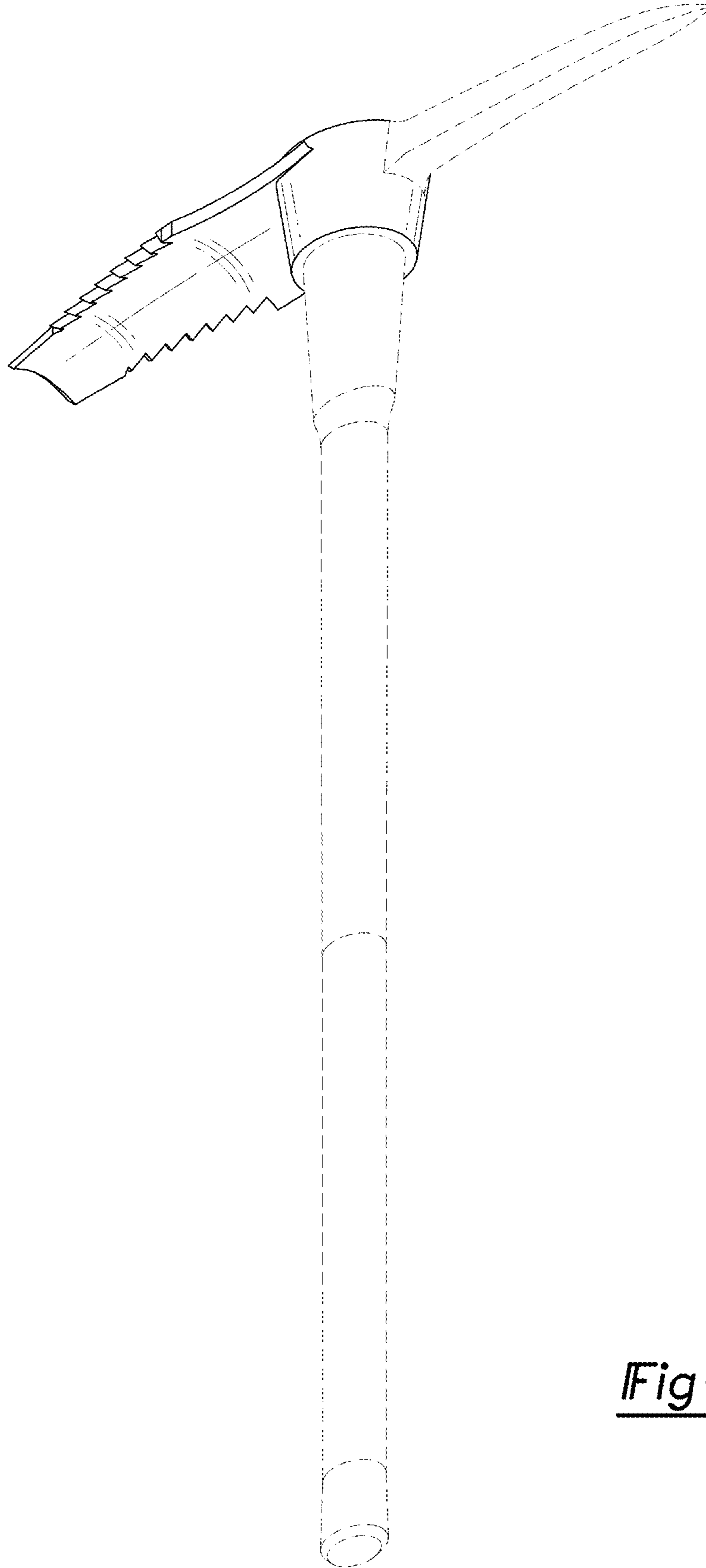


Fig-23

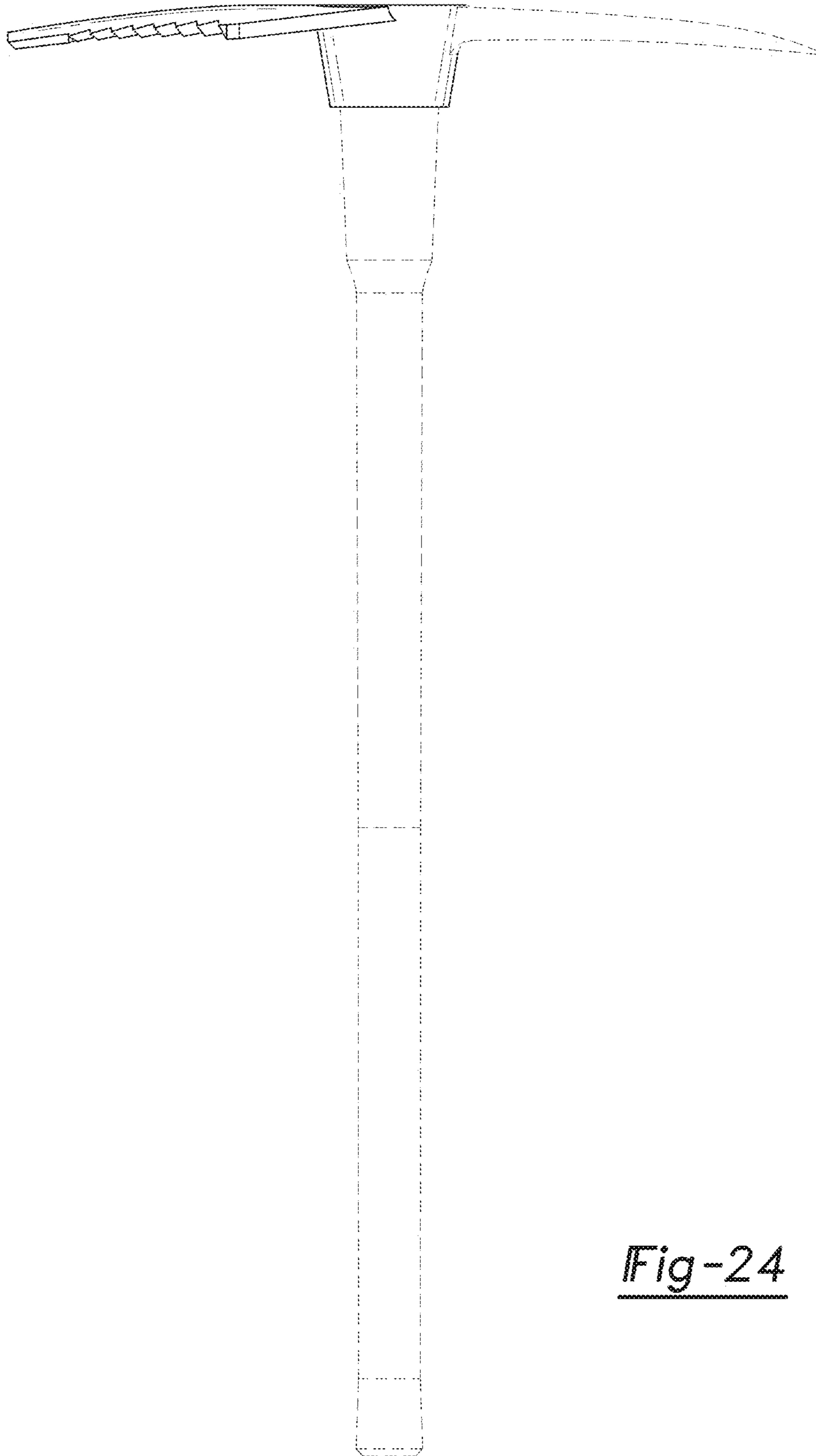


Fig-24

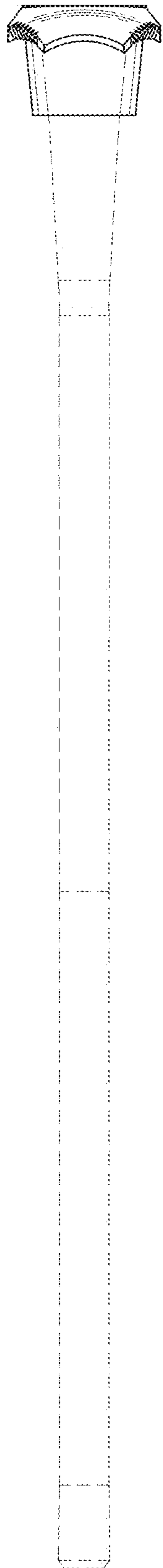


Fig-25

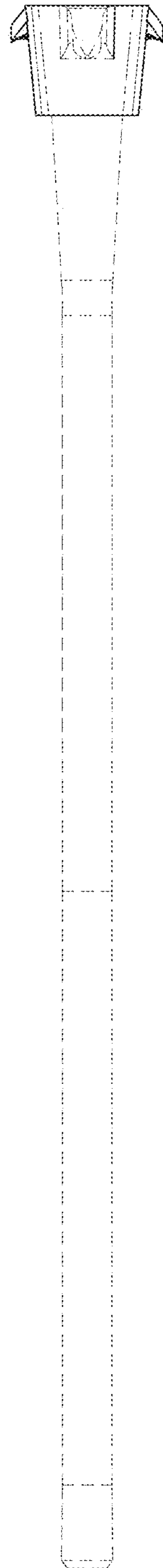


Fig-26

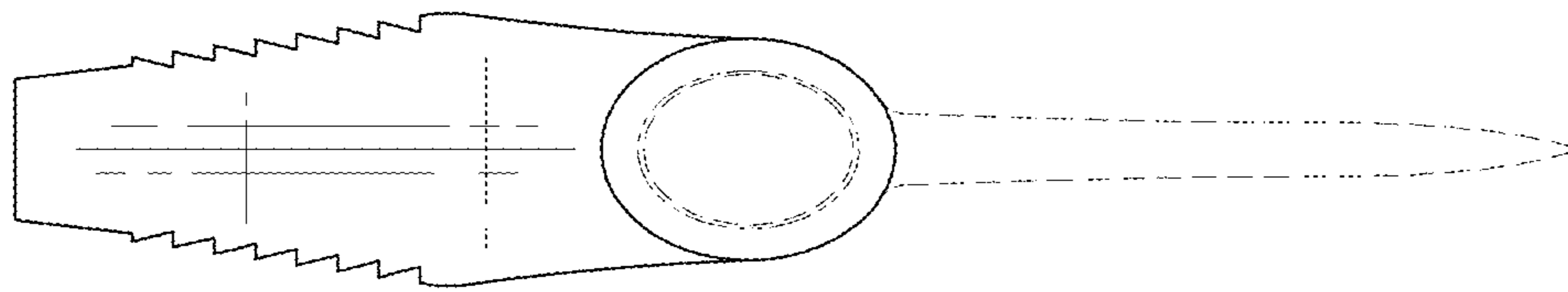


Fig-27

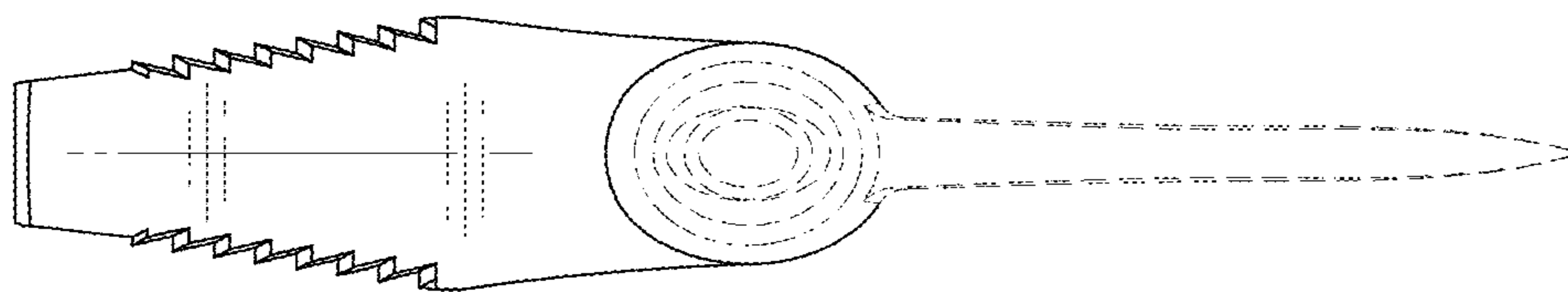


Fig-28