



US00D925304S

(12) **United States Design Patent** (10) **Patent No.:** **US D925,304 S**  
**Lukyanov** (45) **Date of Patent:** **\*\* Jul. 20, 2021**

(54) **BAR TOOL STAND**  
 (71) Applicant: **Aliza Imports LLC**, Wheeling, IL (US)  
 (72) Inventor: **Vladislav Lukyanov**, Wheeling, IL (US)  
 (\*\*) Term: **15 Years**  
 (21) Appl. No.: **29/709,107**  
 (22) Filed: **Oct. 11, 2019**  
 (51) **LOC (13) Cl.** ..... **07-07**  
 (52) **U.S. Cl.**  
 USPC ..... **D7/701**; D6/682.2  
 (58) **Field of Classification Search**  
 USPC ... D3/203.1–203.8, 205–206, 215, 219, 226, D3/247, 250–252, 263–266, 273, D3/293–294, 298–299, 301, 303, 315, D3/901; D6/515, 517, 534, 536, D6/681–682.4, 707–708, 638–641; D7/600.1, 600.4, 637, 553.2, 701, 512, D7/672, 638–641; D9/734, 759–760; D19/101–103, 106, 194–195; D27/172, D27/180, 183, 186, 189–191; D28/73, D28/76, 85–86, 91  
 CPC .. A24F 9/16; A24F 13/14; A24F 15/00; A24F 15/12; A24F 15/14; A24F 15/18; A24F 15/20; A24F 23/00; A24F 23/04; A24F 47/002; A24F 47/008; A45C 3/00; A45C 5/00; A45C 5/005; A45C 5/04; A45C 7/00; A45C 9/00; A45C 11/00; A45C 11/008; A45C 11/04; A45C 11/16; A45C 11/24; A45C 11/26; A45C 11/34; A45C 11/36; A45C 13/002; A45C 2011/007; A45D 33/12; A45D 33/14; A45D 33/22; A45D 33/24; A45D 33/26; A45D 33/28; A45D 34/00; A45D 34/04; A45D 34/041; A45D 34/06; A45D 40/00; A45D 40/18; A45D 40/26; A45D 40/261; A45D 40/262; A45D 44/11; A45D 44/18; A47F 7/02; A47F 7/021; A61J 1/00; A61J 1/03; A61J 7/04; A61J 7/0084; B65D 1/36; B65D 43/16; B65D 50/04; B65D 83/04; B65D

(Continued)

(56) **References Cited**  
 U.S. PATENT DOCUMENTS  
 D241,226 S \* 8/1976 Chatham ..... D3/206  
 D301,575 S \* 6/1989 Crawford, Jr. .... D13/119  
 (Continued)

FOREIGN PATENT DOCUMENTS  
 CN 306285582 \* 1/2015

OTHER PUBLICATIONS  
 Cocktail Mixology Shaker Set by Royal Reserve, first available Dec. 23, 2019, amazon.com [online], [site visited Apr. 21, 2021], Available at internet URL: [https://www.amazon.com/Mixology-Bar-Kit-Royal-Reserve/dp/B07R3DQSR1/ref=sr\\_1\\_7?dchild=1&m=A2QS7F5CV8GSZW&qid=1618313851&s=merchant-items&sr=1-7](https://www.amazon.com/Mixology-Bar-Kit-Royal-Reserve/dp/B07R3DQSR1/ref=sr_1_7?dchild=1&m=A2QS7F5CV8GSZW&qid=1618313851&s=merchant-items&sr=1-7) (Year: 2019).\*

(Continued)

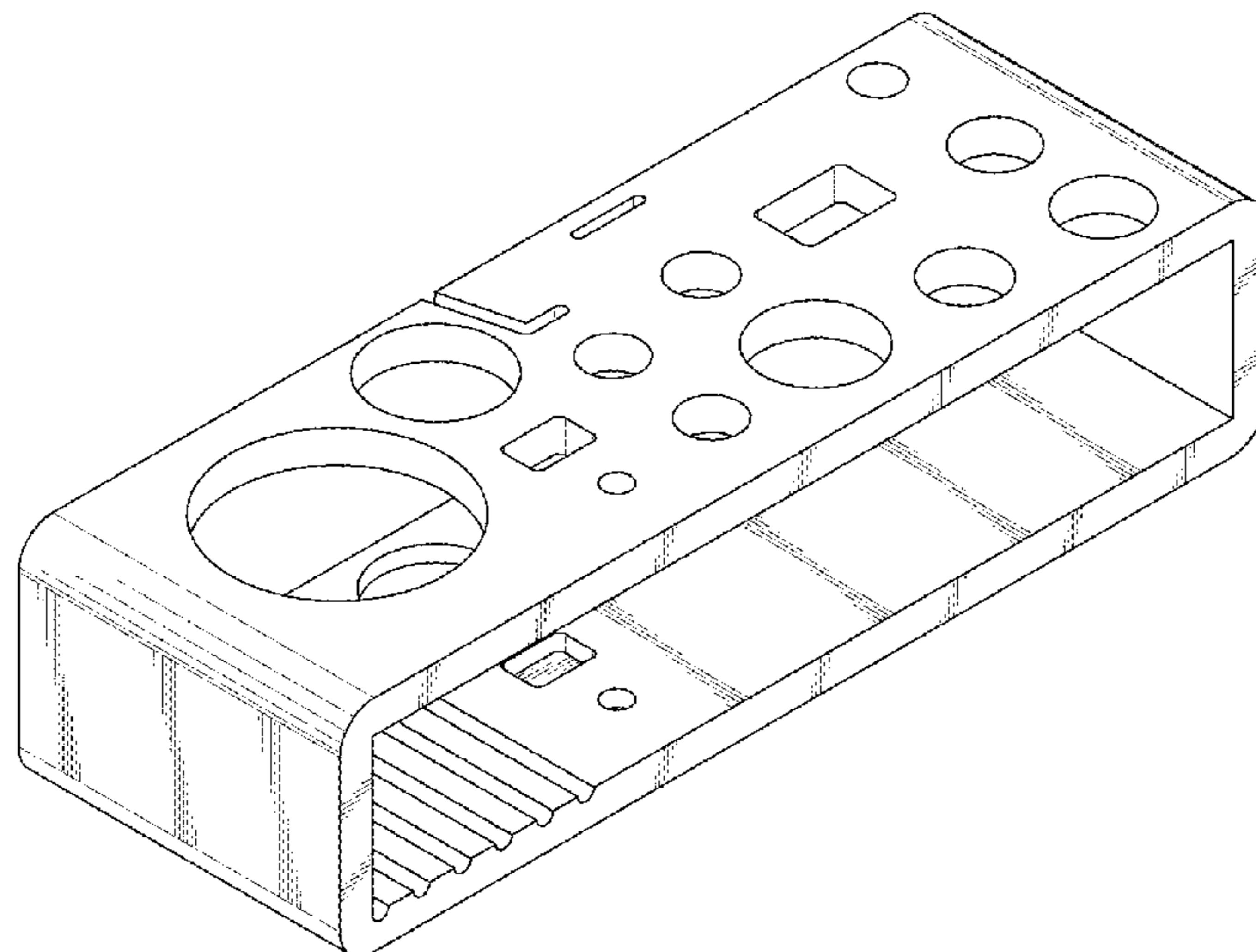
*Primary Examiner* — April Rivas  
*Assistant Examiner* — Caitlin A Laverty  
 (74) *Attorney, Agent, or Firm* — Au LLC; Adam E. Urbanczyk

(57) **CLAIM**  
 The ornamental design for a bar tool stand, as shown and described.

**DESCRIPTION**

FIG. 1 is a front perspective view of a bar tool stand;  
 FIG. 2 is a rear perspective view thereof;  
 FIG. 3 is a left side view thereof;  
 FIG. 4 is a right side view thereof;  
 FIG. 5 is a top view thereof;  
 FIG. 6 is a bottom view thereof;  
 FIG. 7 is a front view thereof; and,  
 FIG. 8 is a rear view thereof.

**1 Claim, 8 Drawing Sheets**



(58) **Field of Classification Search**

CPC ..... 83/0445; B65D 83/0481; B65D 85/00;  
B65D 85/02; B65D 85/10

See application file for complete search history.

D911,790 S \* 3/2021 Wang ..... D7/701  
D914,458 S \* 3/2021 Lu ..... D7/552.2  
D916,568 S \* 4/2021 Wang ..... D7/701  
D917,246 S \* 4/2021 Wang ..... D7/701

(56) **References Cited**

U.S. PATENT DOCUMENTS

D347,942 S \* 6/1994 Gilbert ..... D28/73  
D368,736 S \* 4/1996 Massena ..... D19/103  
D372,124 S \* 7/1996 Dammers ..... D3/315  
D376,690 S \* 12/1996 Lockerby ..... D3/273  
D505,841 S \* 6/2005 Fiedeler ..... D6/525  
D731,782 S \* 6/2015 Upchurch ..... D3/203.2  
D731,783 S \* 6/2015 Upchurch ..... B65D 77/22  
D857,430 S \* 8/2019 Ravid ..... D6/682.2  
D879,518 S \* 3/2020 Shalit ..... D6/682.2  
D895,371 S \* 9/2020 Brown ..... D7/554.2  
D902,660 S \* 11/2020 Li ..... D7/553.2  
D904,089 S \* 12/2020 Chen ..... D6/682.2  
D906,068 S \* 12/2020 Yang ..... D7/701  
D906,773 S \* 1/2021 Chen ..... D7/701  
D907,450 S \* 1/2021 Yang ..... D7/701  
D909,156 S \* 2/2021 Chen ..... D7/701  
D911,789 S \* 3/2021 Wang ..... D7/701

OTHER PUBLICATIONS

Mixology Bartender Kit: 10 Piece, first available Mar. 7, 2018, amazon.com [online], [site visited Apr. 21, 2021], Available at internet URL: [https://www.amazon.com/Mixology-Bartender-Kit-Bartending-Experience/dp/B07B9KLRDC/ref=psdc\\_289731\\_t2\\_B08BLTBJF3](https://www.amazon.com/Mixology-Bartender-Kit-Bartending-Experience/dp/B07B9KLRDC/ref=psdc_289731_t2_B08BLTBJF3) (Year: 2018).\*

Mixology Bartender Kit: 23 Piece, first available Jun. 22, 2020, amazon.com [online], [site visited Apr. 21, 2021], Available at internet URL: [https://www.amazon.com/dp/B08BLTBJF3/ref=sspa\\_dk\\_detail\\_0?pd\\_rd\\_i=B08MFFTMN2&pd\\_rd\\_w=uTBVc&pf\\_rd\\_p=085568d9-3b13-4ac1-8ae4-24a26c00cb0c&pd\\_rd\\_wg=39Hnr&pf\\_rd\\_r=CN7HGBNJ7J3VB7T83XSA&pd\\_rd\\_r=411a47dd-9a0e-40f3-8990-04d9ac194392&spLa=ZW5jenlwdGVkUXVhbGlmaWVyPUFKMUdMTzJLVTFQMTgmZW5jenlwdGVkSWQ9QTA2MDI4N0UzQVMzQzMyNjJJQ1o3JmVuY3J5cHRIZEFkSWQ9QTA1NjUyMDkxSFJaWkZOTDVUVERRjndpZGdlE5hbWU9c3BfZGV0YWlsJmFjdGlvbj1jbGlja1JIZGIyZWNoJmRvTm90TG9nQ2xpY2s9dHJ1ZQ&th=1](https://www.amazon.com/dp/B08BLTBJF3/ref=sspa_dk_detail_0?pd_rd_i=B08MFFTMN2&pd_rd_w=uTBVc&pf_rd_p=085568d9-3b13-4ac1-8ae4-24a26c00cb0c&pd_rd_wg=39Hnr&pf_rd_r=CN7HGBNJ7J3VB7T83XSA&pd_rd_r=411a47dd-9a0e-40f3-8990-04d9ac194392&spLa=ZW5jenlwdGVkUXVhbGlmaWVyPUFKMUdMTzJLVTFQMTgmZW5jenlwdGVkSWQ9QTA2MDI4N0UzQVMzQzMyNjJJQ1o3JmVuY3J5cHRIZEFkSWQ9QTA1NjUyMDkxSFJaWkZOTDVUVERRjndpZGdlE5hbWU9c3BfZGV0YWlsJmFjdGlvbj1jbGlja1JIZGIyZWNoJmRvTm90TG9nQ2xpY2s9dHJ1ZQ&th=1). (Year: 2020).\*

\* cited by examiner

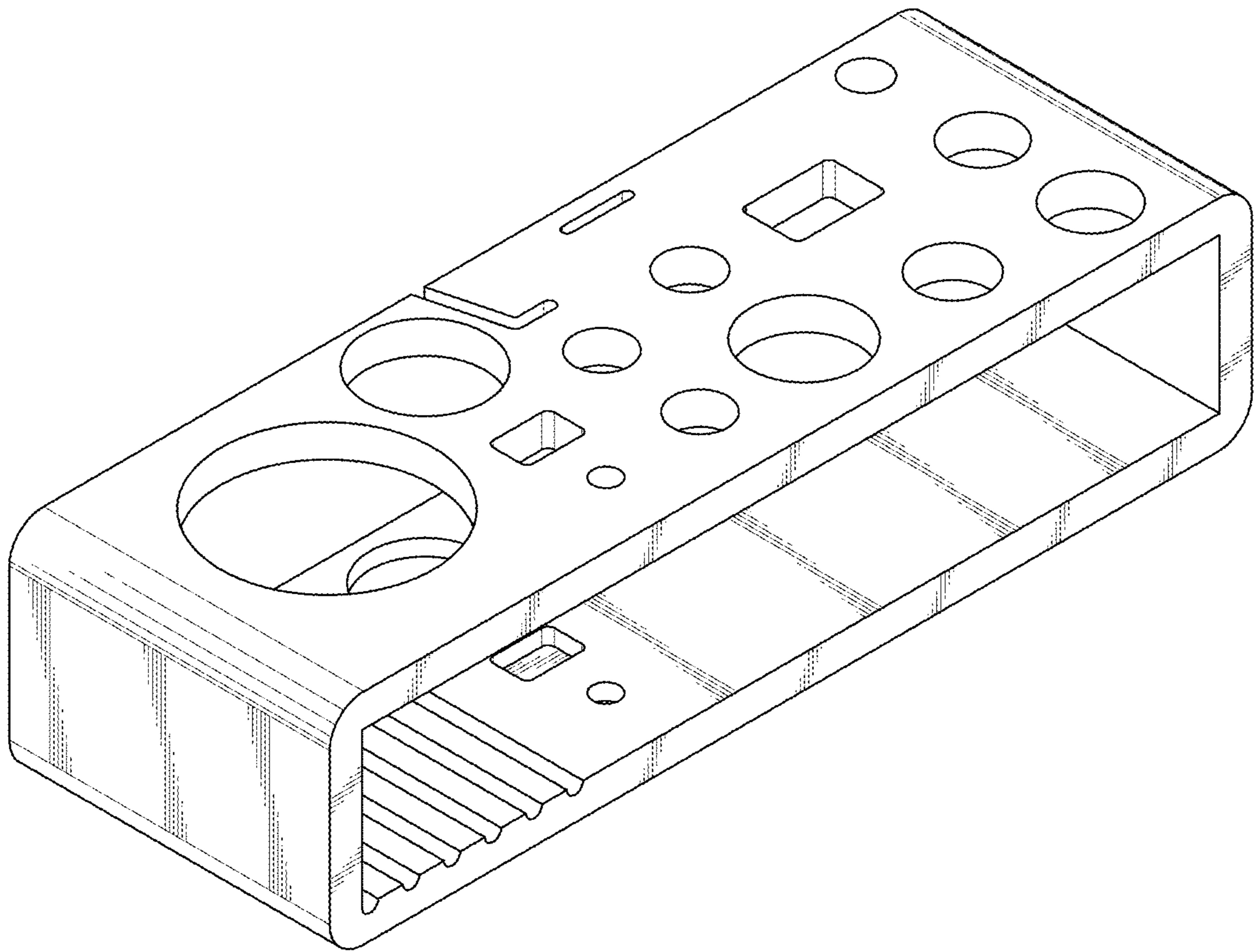


FIG. 1

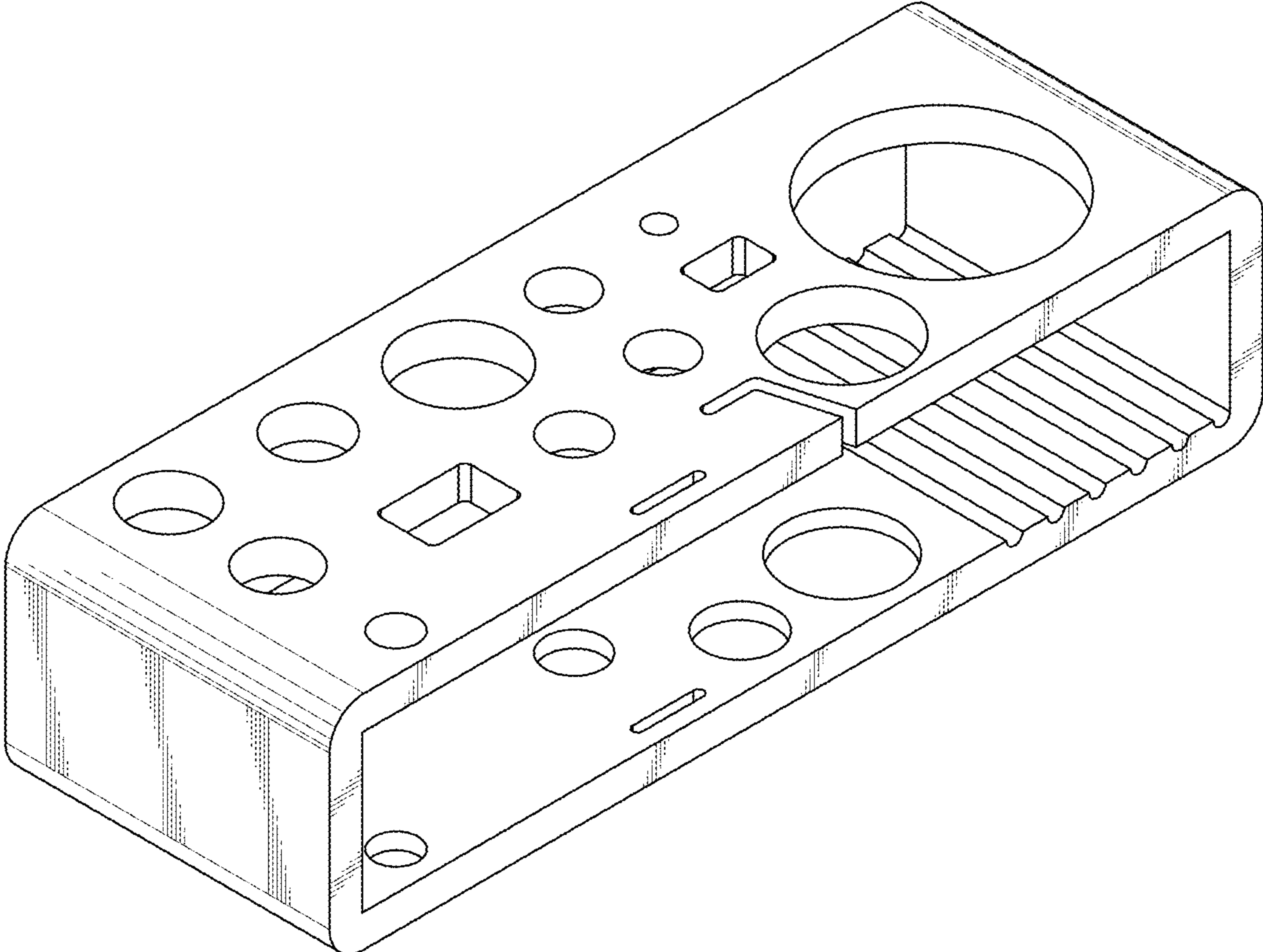


FIG. 2

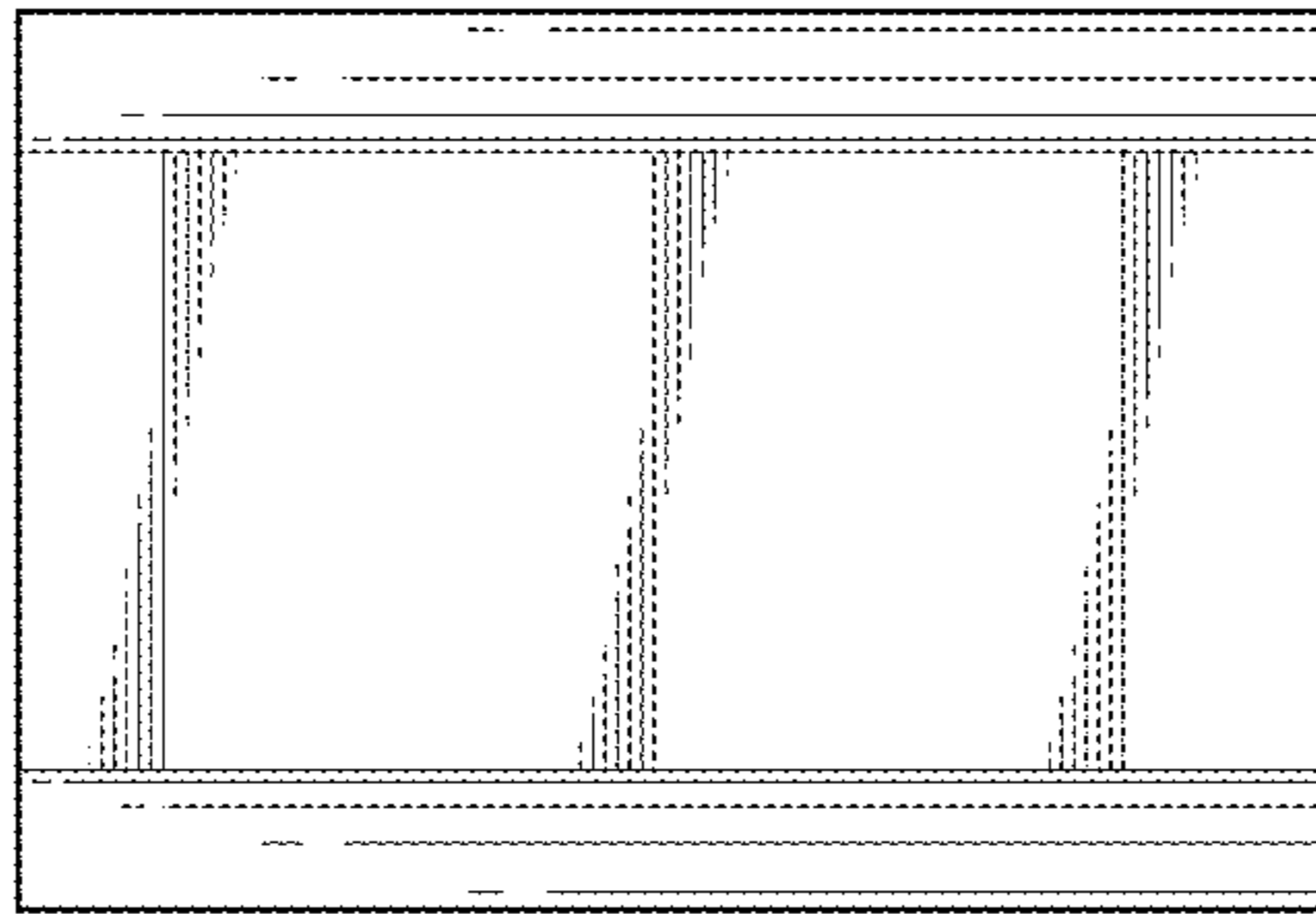


FIG. 3

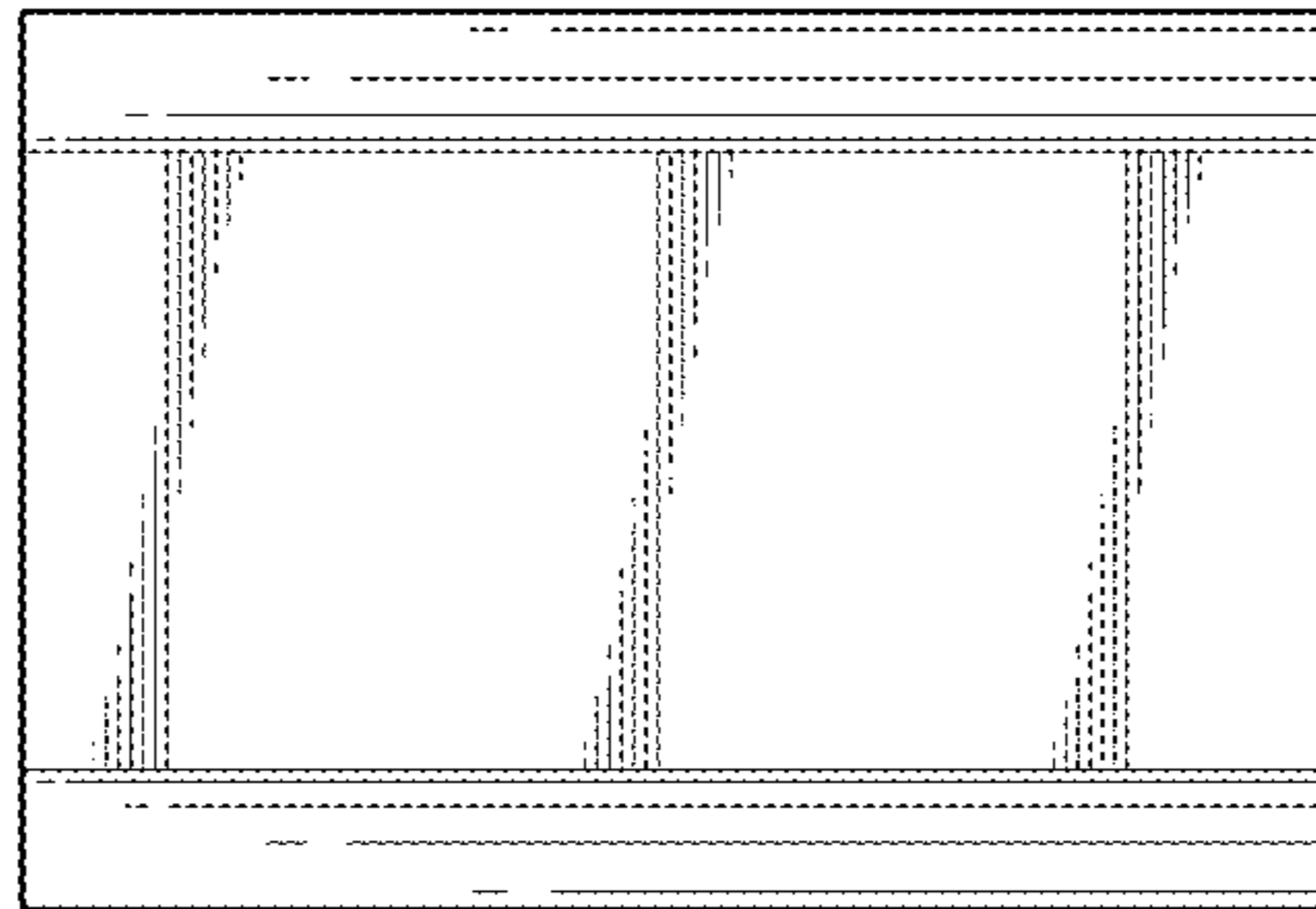


FIG. 4

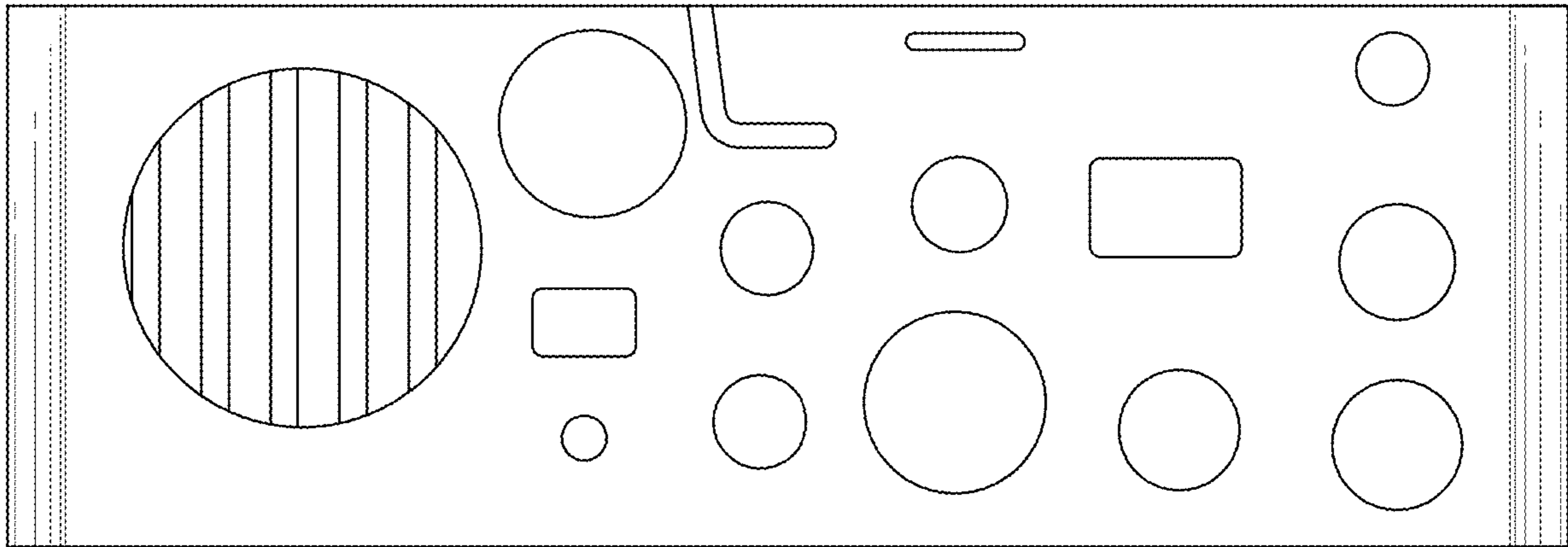


FIG. 5

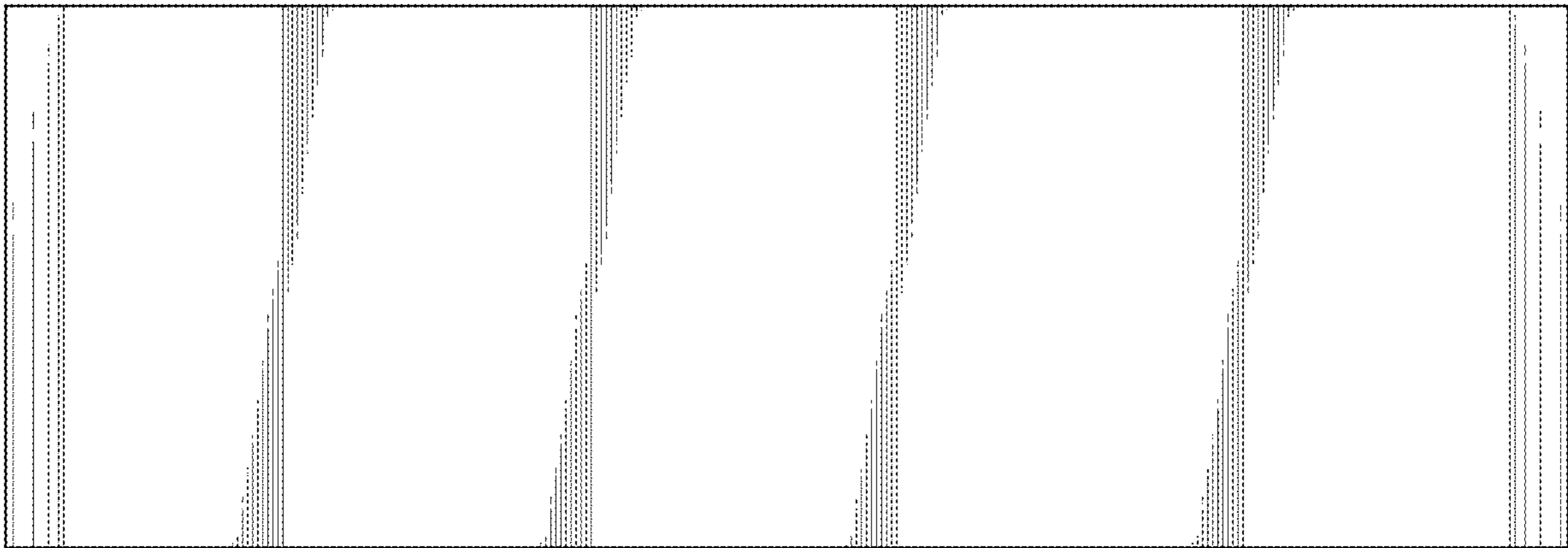


FIG. 6



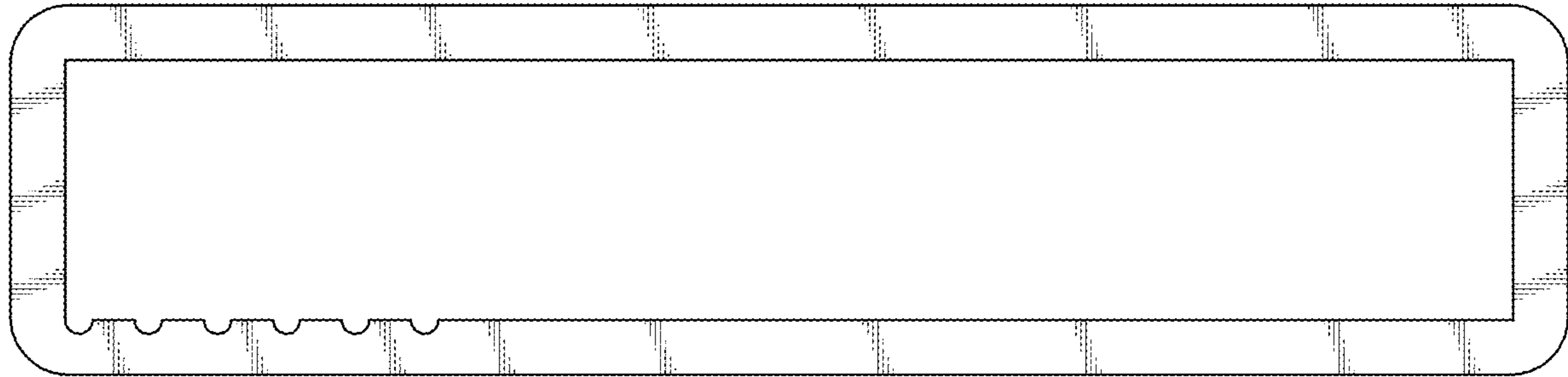


FIG. 7

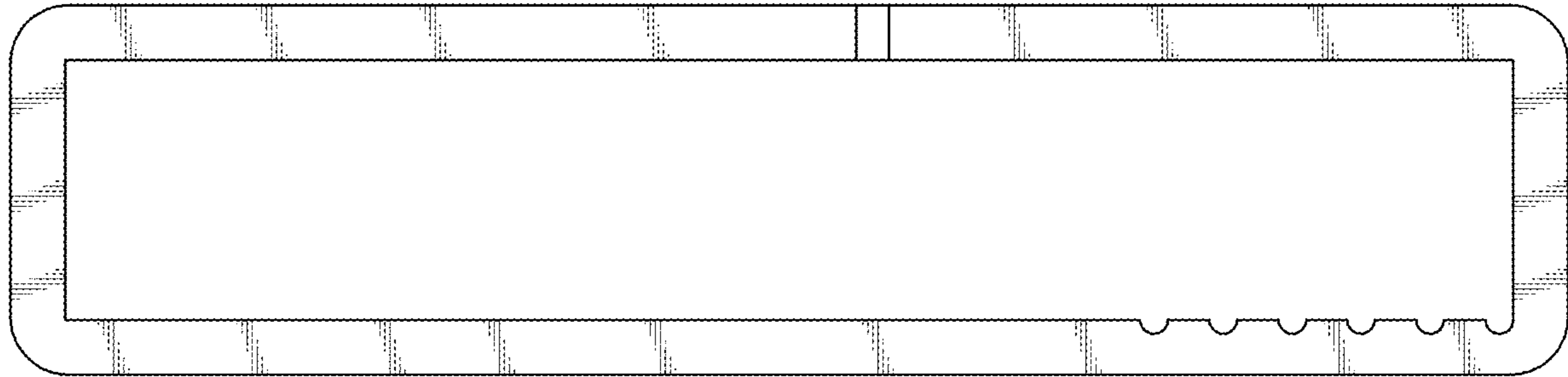


FIG. 8