



US00D925303S

(12) **United States Design Patent**  
**Nathan et al.**

(10) **Patent No.:** **US D925,303 S**

(45) **Date of Patent:** **\*\* Jul. 20, 2021**

(54) **COOKWARE LID HOLDER**

(71) Applicant: **Caraway Home, Inc.**, New York, NY (US)

(72) Inventors: **Jordan Nathan**, New York, NY (US); **Benjamin Gross**, San Francisco, CA (US); **Kenneth Young**, San Francisco, CA (US); **Bret Recor**, San Francisco, CA (US)

(73) Assignee: **Caraway Home, Inc.**, New York, NY (US)

(\*\*) Term: **15 Years**

(21) Appl. No.: **29/709,084**

(22) Filed: **Oct. 11, 2019**

(51) **LOC (13) Cl.** ..... **06-04**

(52) **U.S. Cl.**  
USPC ..... **D7/701**

(58) **Field of Classification Search**  
USPC ..... D7/601, 701-708; D6/553, 512, 681, D6/682; D19/90  
CPC . A47J 47/16; A47J 47/00; A47J 36/06; A47G 7/044; A47B 81/04  
See application file for complete search history.

(56) **References Cited**

**U.S. PATENT DOCUMENTS**

1,986,486 A \* 1/1935 Swanson ..... A47J 47/16  
211/41.11  
2,634,865 A \* 4/1953 Geheb ..... A47J 47/16  
211/41.11

D286,120 S \* 10/1986 Szablak ..... D6/553  
4,776,469 A \* 10/1988 Geleziunas ..... A47J 47/16  
211/41.11  
D301,101 S \* 5/1989 Meyer ..... D6/553  
D610,199 S \* 2/2010 Liang ..... D19/86  
D619,834 S \* 7/2010 Koller ..... D6/514  
D677,731 S \* 3/2013 Stravitz ..... D19/90

\* cited by examiner

*Primary Examiner* — Terry A Wallace

(74) *Attorney, Agent, or Firm* — Bochner IP, PLLC;  
Andrew D. Bochner

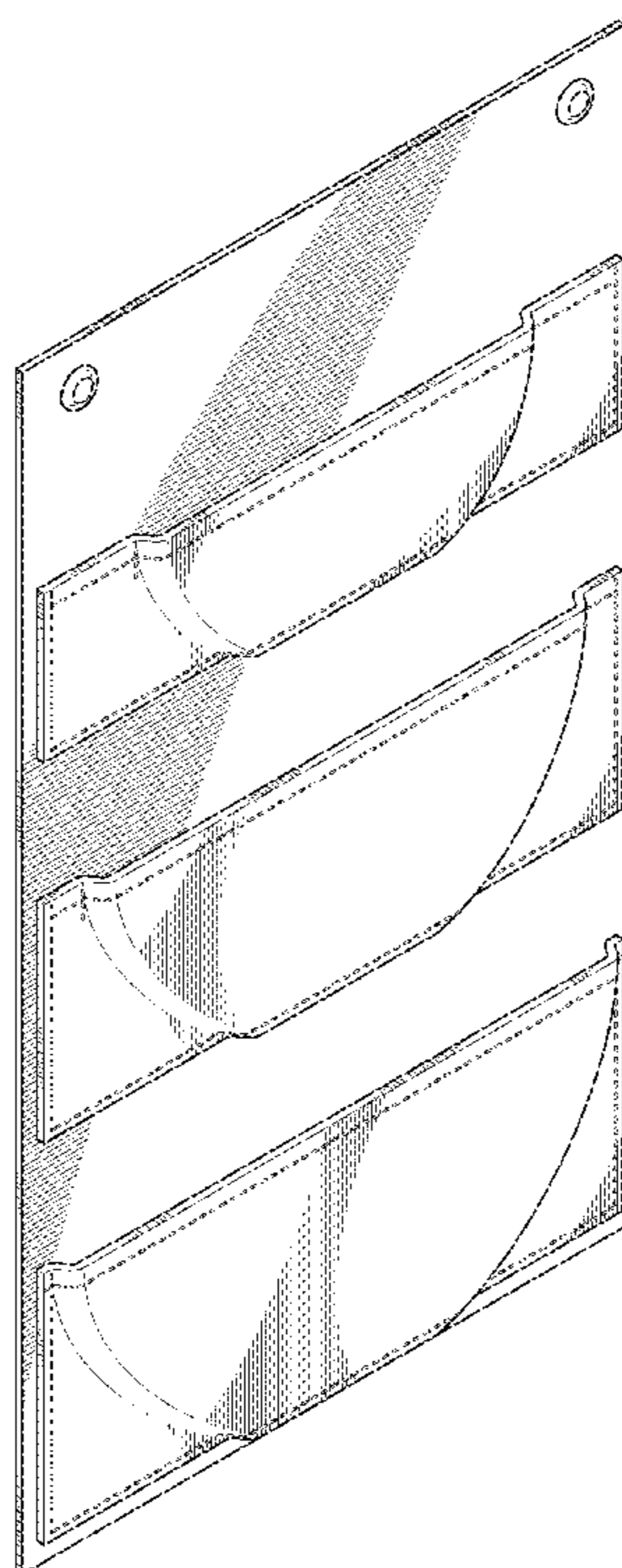
(57) **CLAIM**

The ornamental design for a cookware lid holder, as shown and described.

**DESCRIPTION**

FIG. 1 is a top, front, left side perspective view of a cookware lid holder;  
FIG. 2 is a front elevation view rear elevation thereof;  
FIG. 3 is a rear elevation view thereof;  
FIG. 4 is a right side elevation view thereof, the left side elevation view being a mirror image;  
FIG. 5 is a top plan view thereof;  
FIG. 6 is a bottom plan view thereof;  
FIG. 7 is a bottom, front., right side perspective view thereof; and,  
FIG. 8 is a top, front, left side perspective view thereof, illustrating environment.  
In the drawings, the broken lines are for the purpose of illustrating environment and stitching only, and form no part of the claimed design.

**1 Claim, 6 Drawing Sheets**



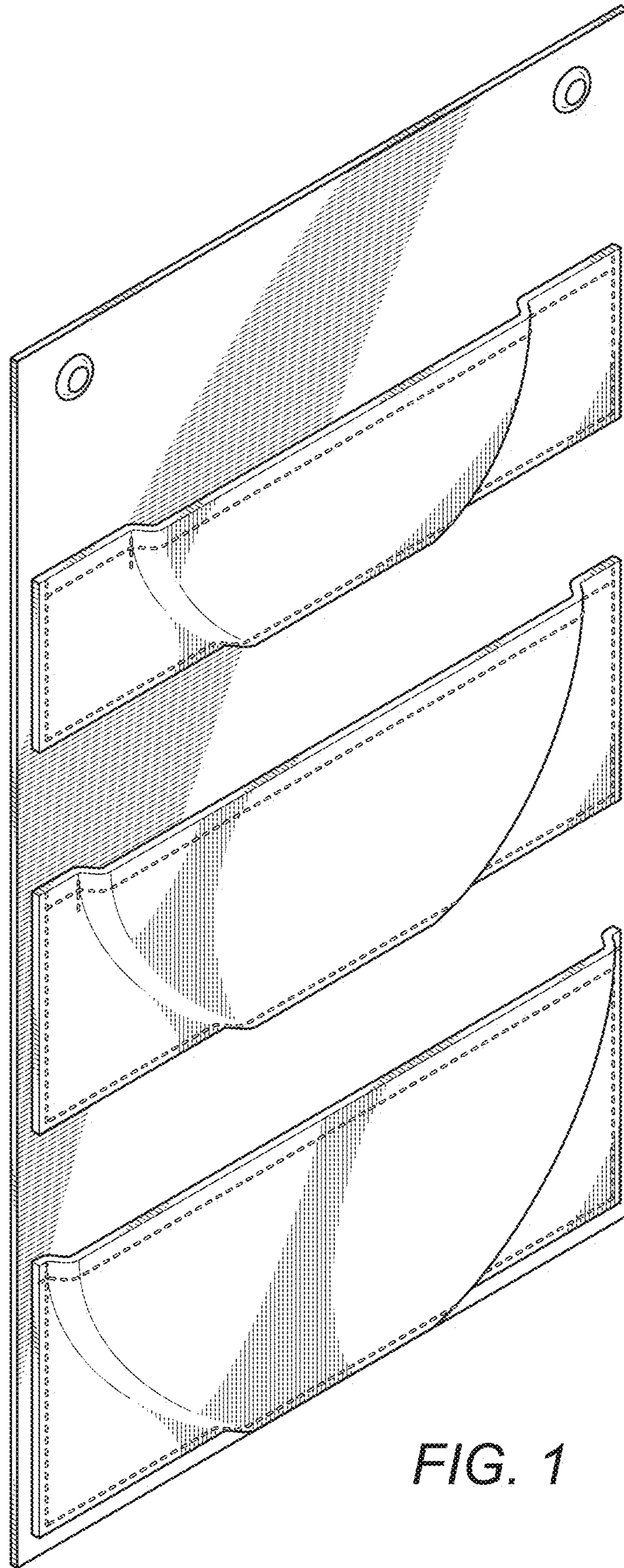


FIG. 1

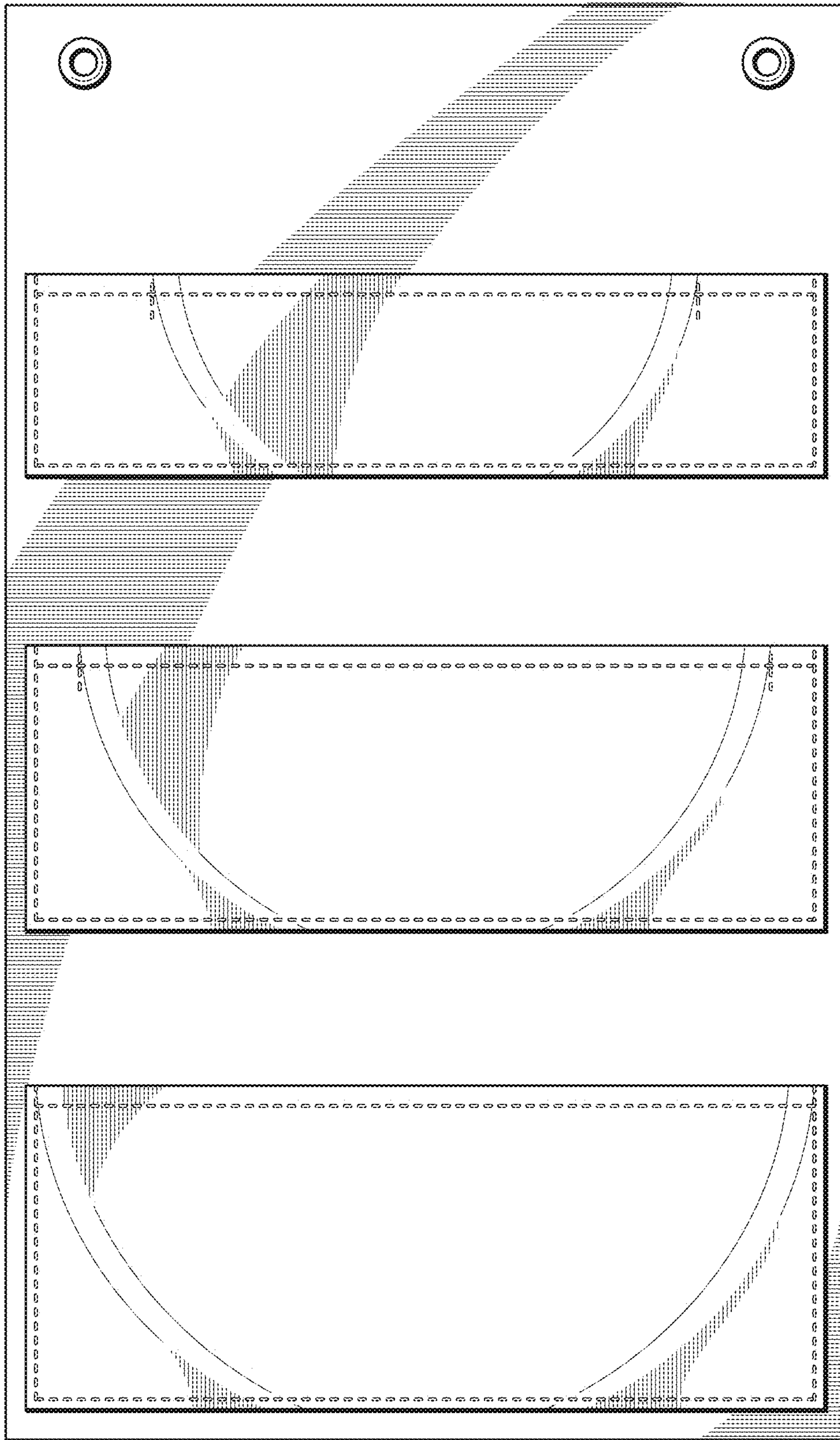


FIG. 2



FIG. 3



FIG. 4



FIG. 5

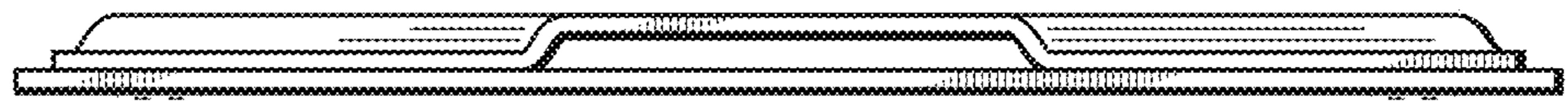


FIG. 6

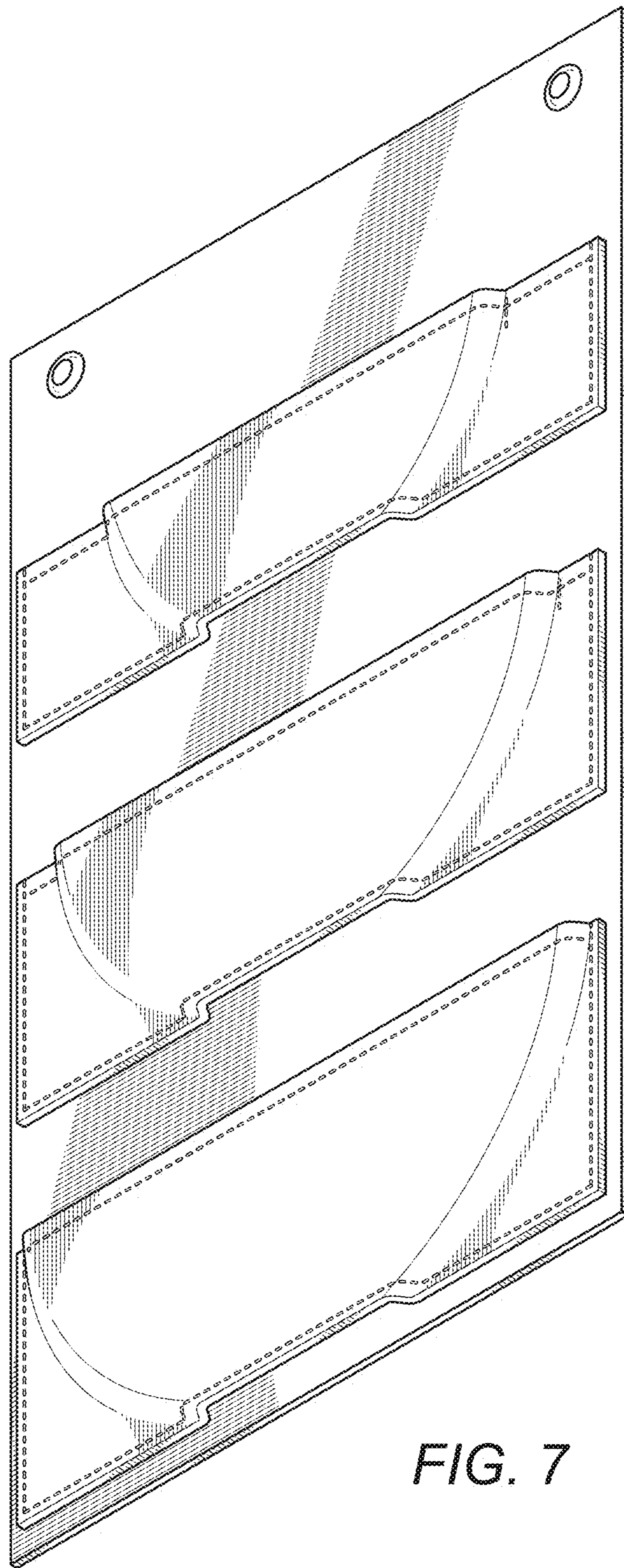


FIG. 7

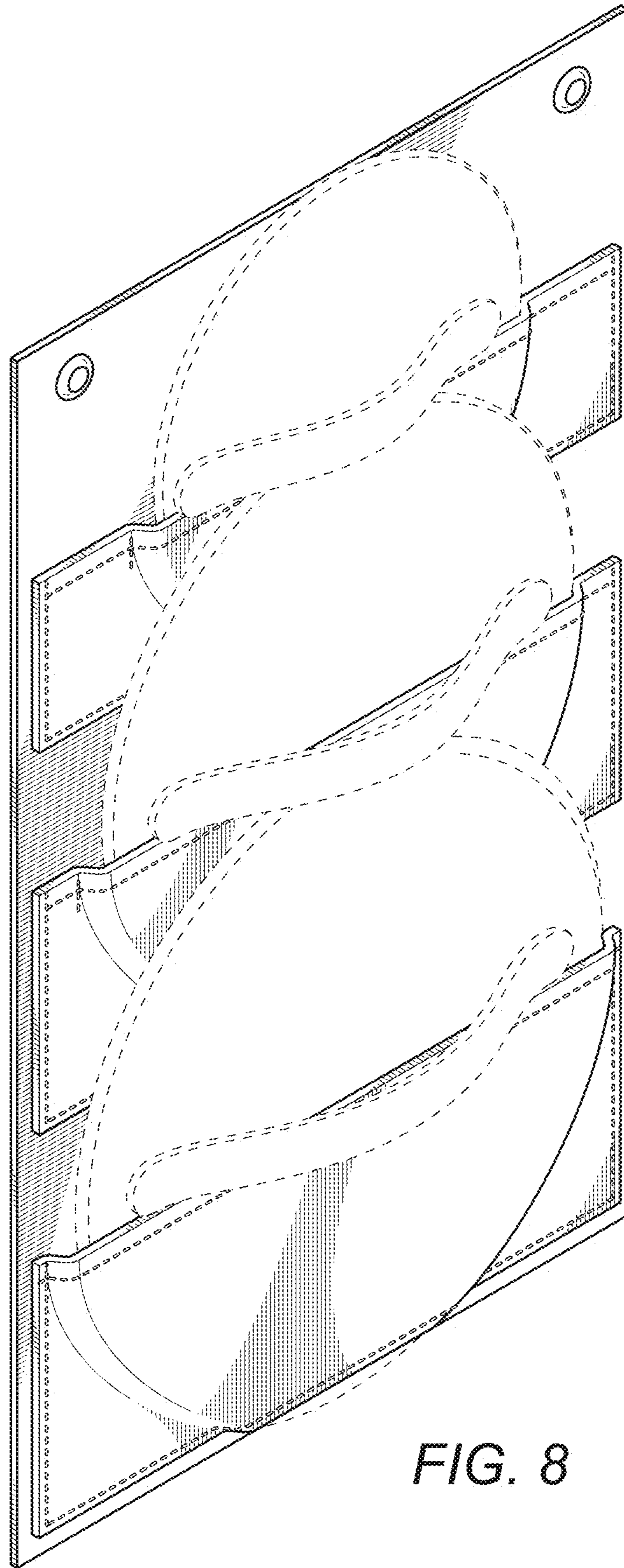


FIG. 8