



US00D925302S

(12) **United States Design Patent**
Takhalova

(10) **Patent No.:** **US D925,302 S**
(45) **Date of Patent:** **** Jul. 20, 2021**

(54) **CUTTING BOARD AND CONTAINER**

(71) Applicant: **ITAK CONCEPTS LLC**, Rego Park, NY (US)

(72) Inventor: **Irina Takhalova**, Rego Park, NY (US)

(73) Assignee: **ITAK CONCEPTS LLC**, Rego Park, NY (US)

(**) Term: **15 Years**

(21) Appl. No.: **29/709,404**

(22) Filed: **Oct. 14, 2019**

Related U.S. Application Data

(63) Continuation-in-part of application No. 15/725,955, filed on Oct. 5, 2017, now Pat. No. 10,472,143.

(51) **LOC (13) Cl.** **07-04**

(52) **U.S. Cl.**
USPC **D7/698**

(58) **Field of Classification Search**
USPC D6/335; D7/359, 388, 543, 549, 550.1, D7/554.3, 586, 669, 698-699; D32/55-57
CPC A01K 97/22; A47C 4/021; A47J 47/00; A47J 47/005; A47J 47/20; B25H 3/00; B26D 7/0006; B26D 7/018; B26D 7/20; B23D 21/00; B23K 37/04; B23K 37/053; B23Q 16/001

See application file for complete search history.

(56) **References Cited**

U.S. PATENT DOCUMENTS

4,295,680 A *	10/1981	Grasso	A01K 97/22 190/11
4,487,135 A *	12/1984	Van Ryn	B25H 3/00 108/25
D321,991 S *	12/1991	Menges, Sr.	D6/335
D374,380 S *	10/1996	Sawatsky	D7/698
9,072,382 B2 *	7/2015	Johansson	A47C 4/021
D793,184 S *	8/2017	Lammel	D7/698

* cited by examiner

Primary Examiner — Ricky Pham

(57) **CLAIM**

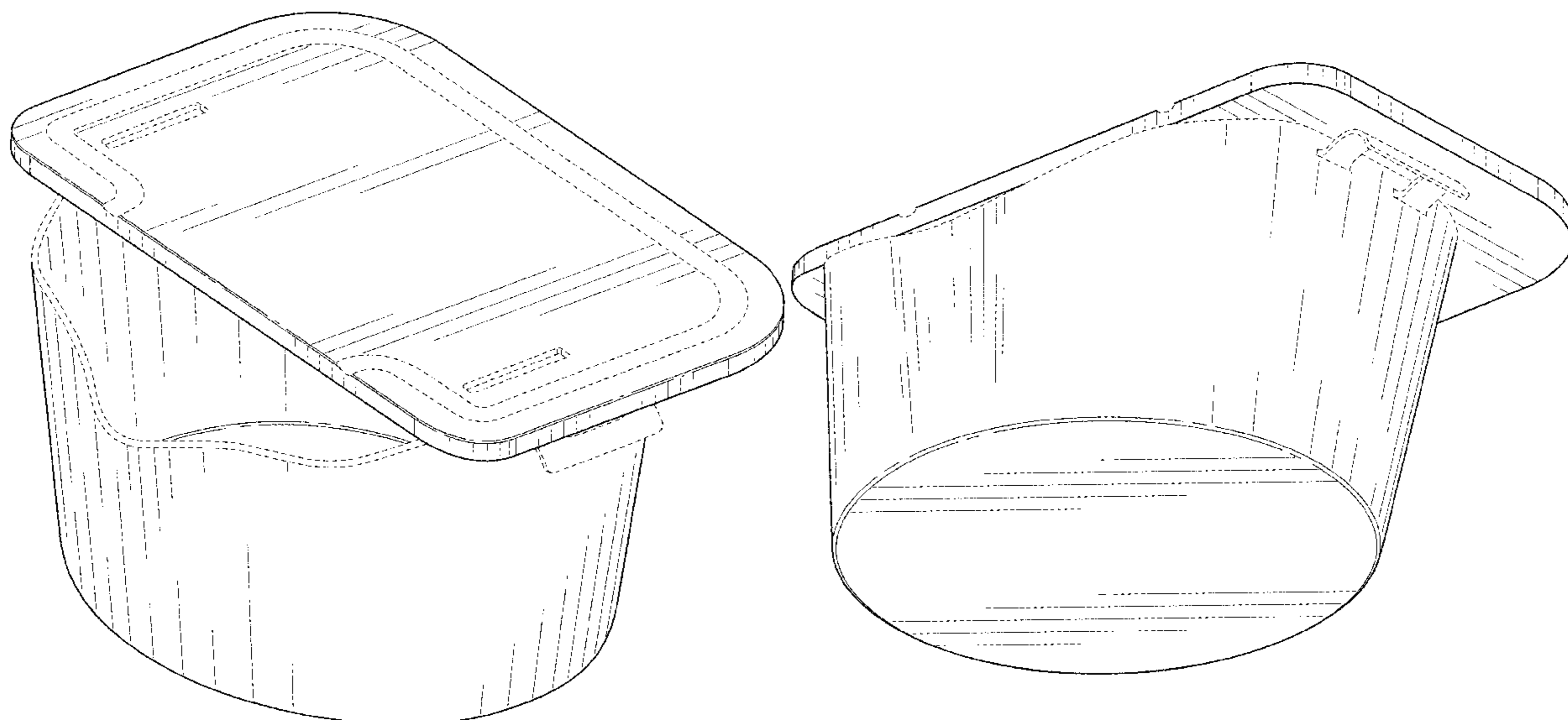
The ornamental design for a cutting board and container, as shown and described.

DESCRIPTION

FIG. 1 is a top front perspective view of a cutting board and container showing my new design; FIG. 2 is a bottom front perspective view thereof; FIG. 3 is a top rear perspective view thereof; FIG. 4 is a front view thereof; FIG. 5 is a rear view thereof; FIG. 6 is a left-side view thereof; FIG. 7 is a right-side view thereof; FIG. 8 is a top view thereof; and, FIG. 9 is a bottom view thereof.

The broken line showing not-claimed items illustrated in figures, i.e. top perimeter of the container, drainage channel on cutting board, handles on container, and retention mechanism between container and cutting board in FIG. 1 through FIG. 9 is included for the purpose of illustrating environmental structure and forms no part of the claimed design.

1 Claim, 9 Drawing Sheets



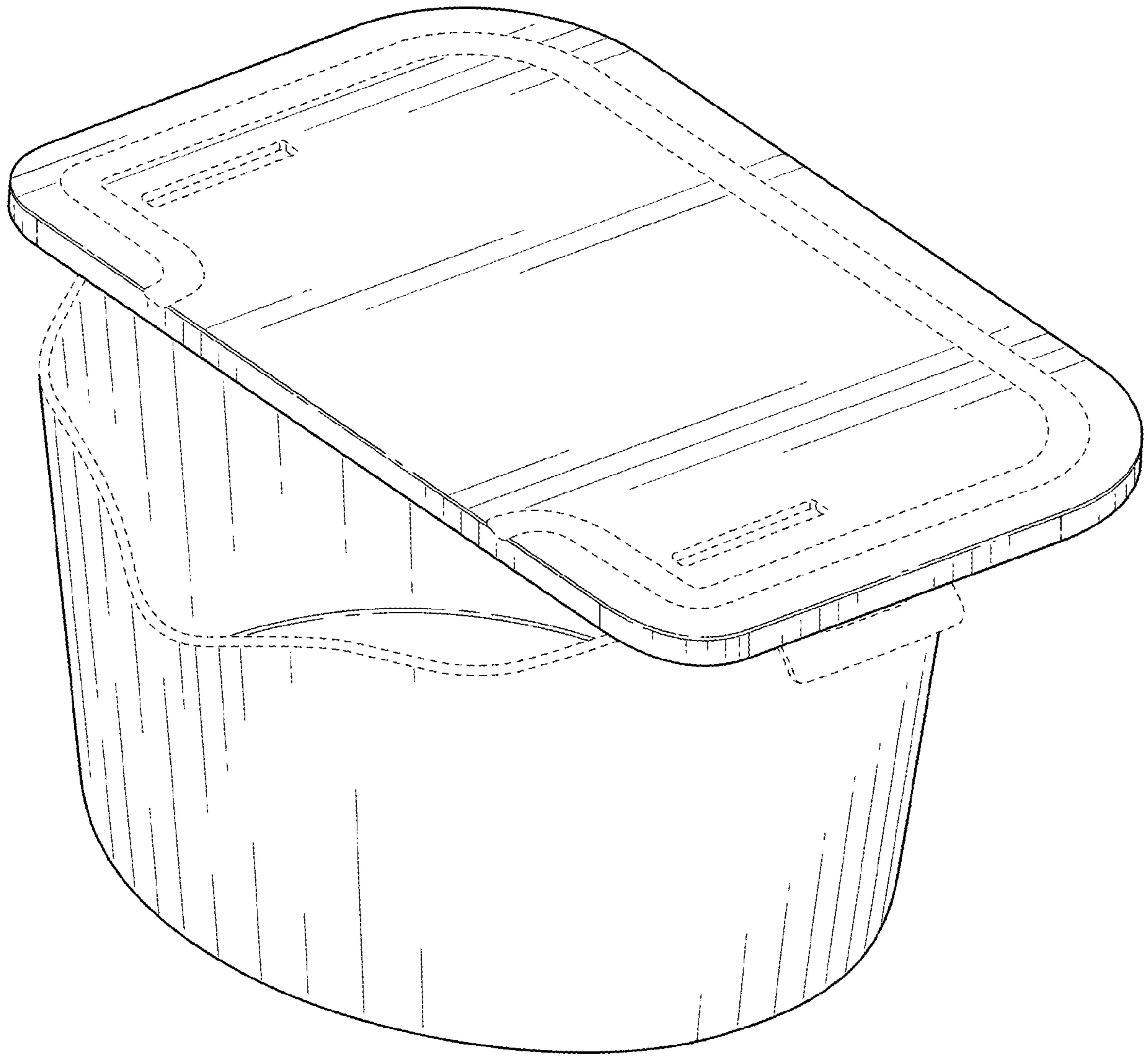


FIG. 1

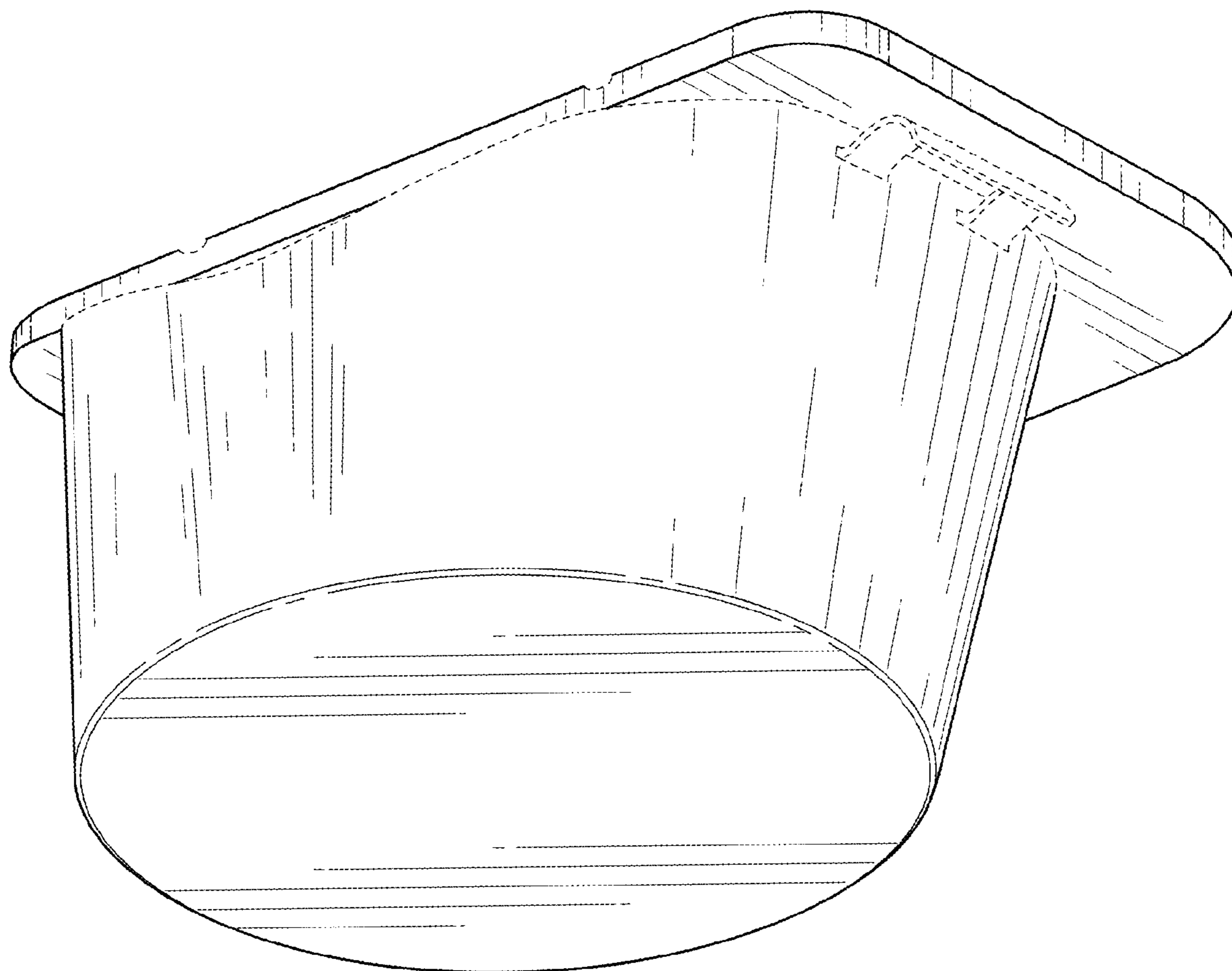


FIG. 2

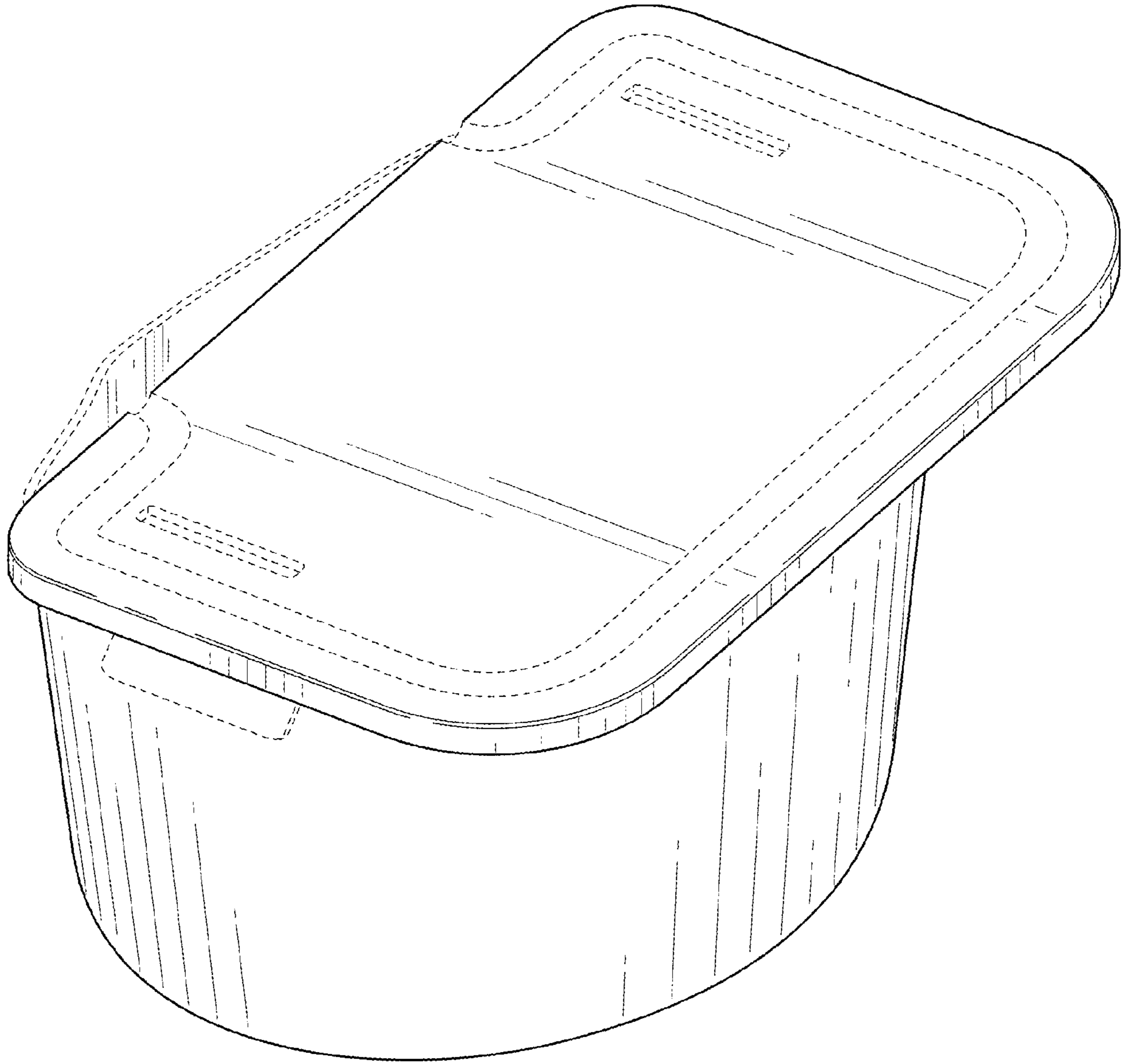


FIG. 3

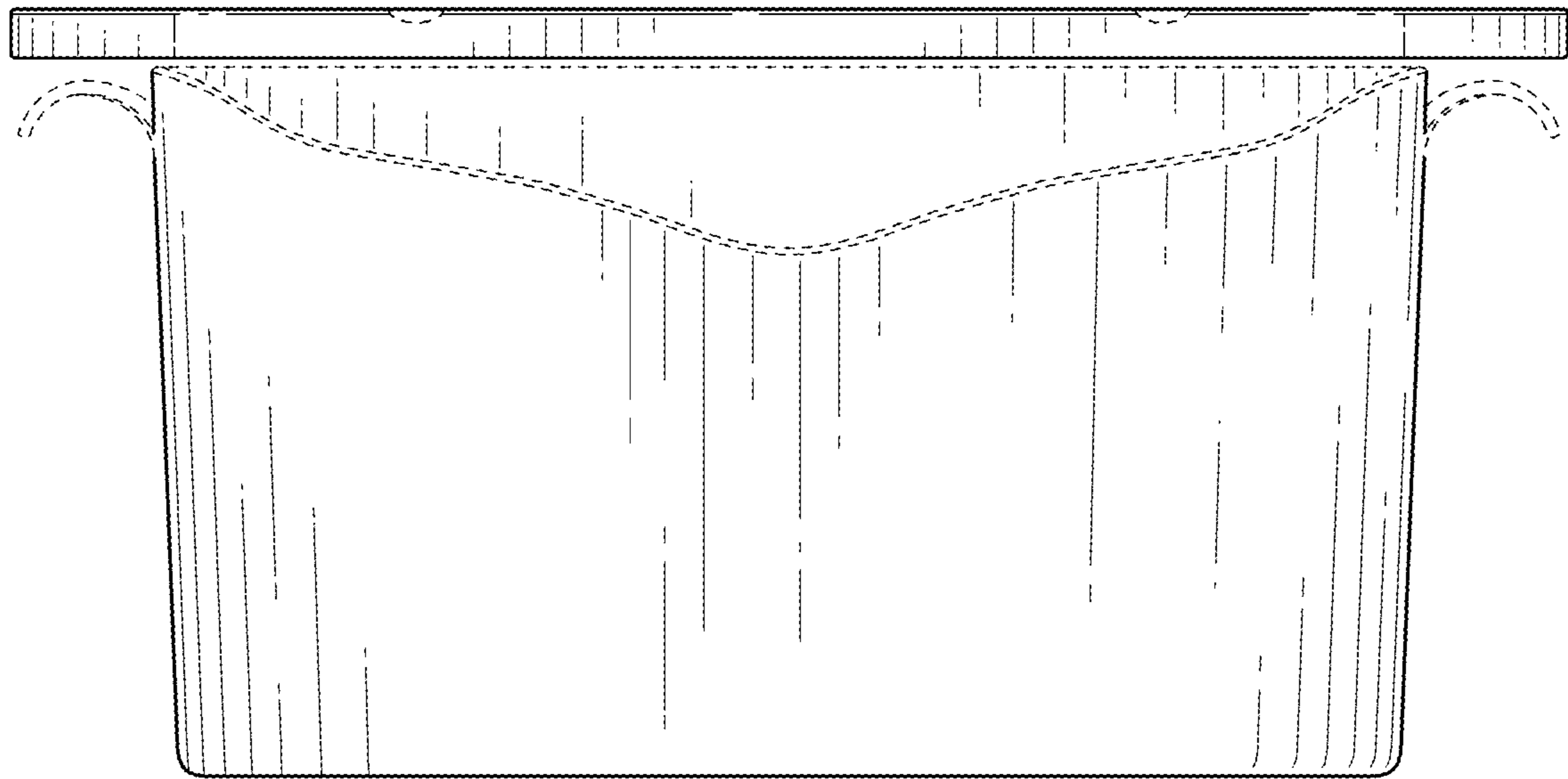


FIG. 4

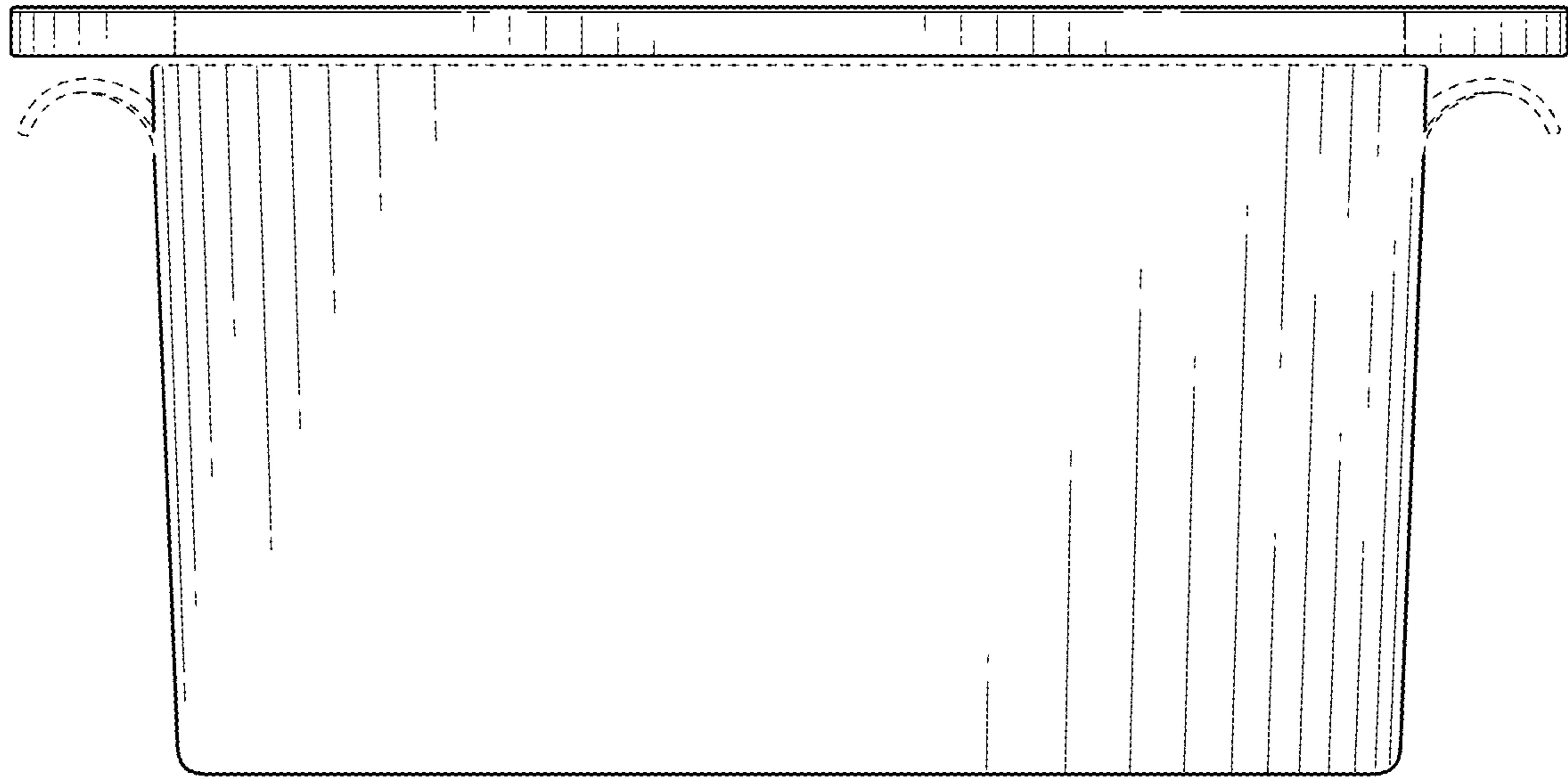


FIG. 5

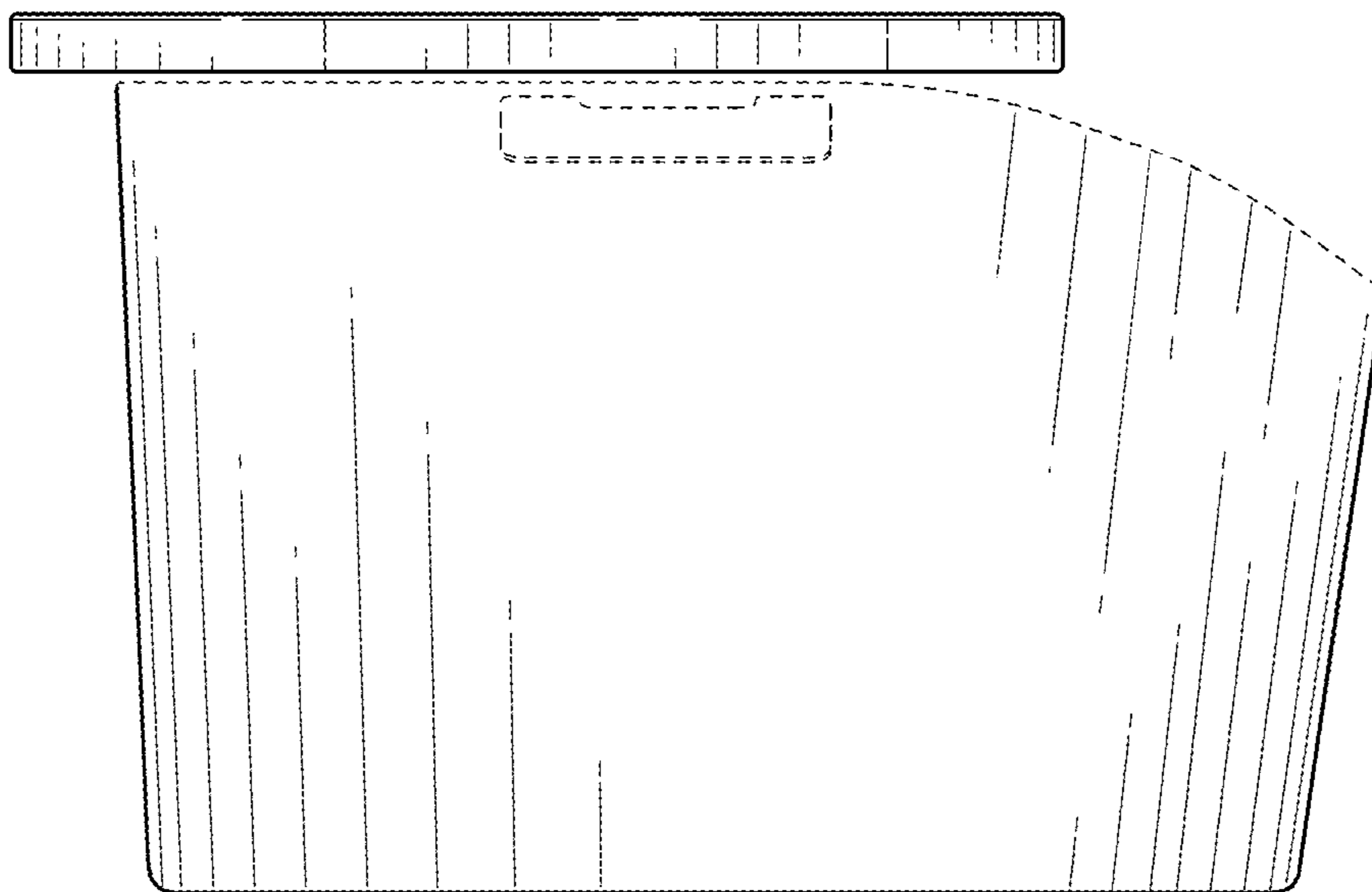


FIG. 6

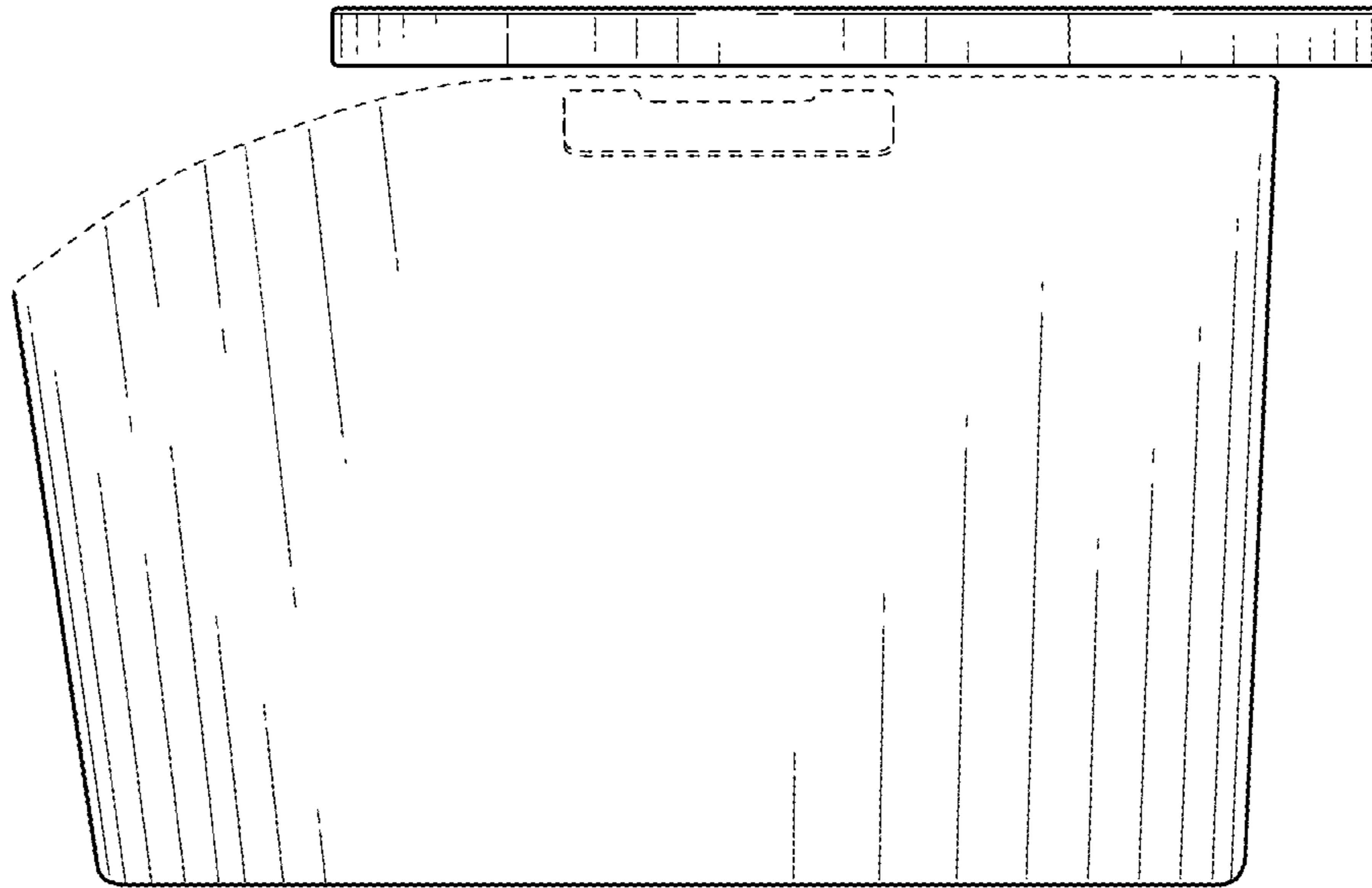


FIG. 7

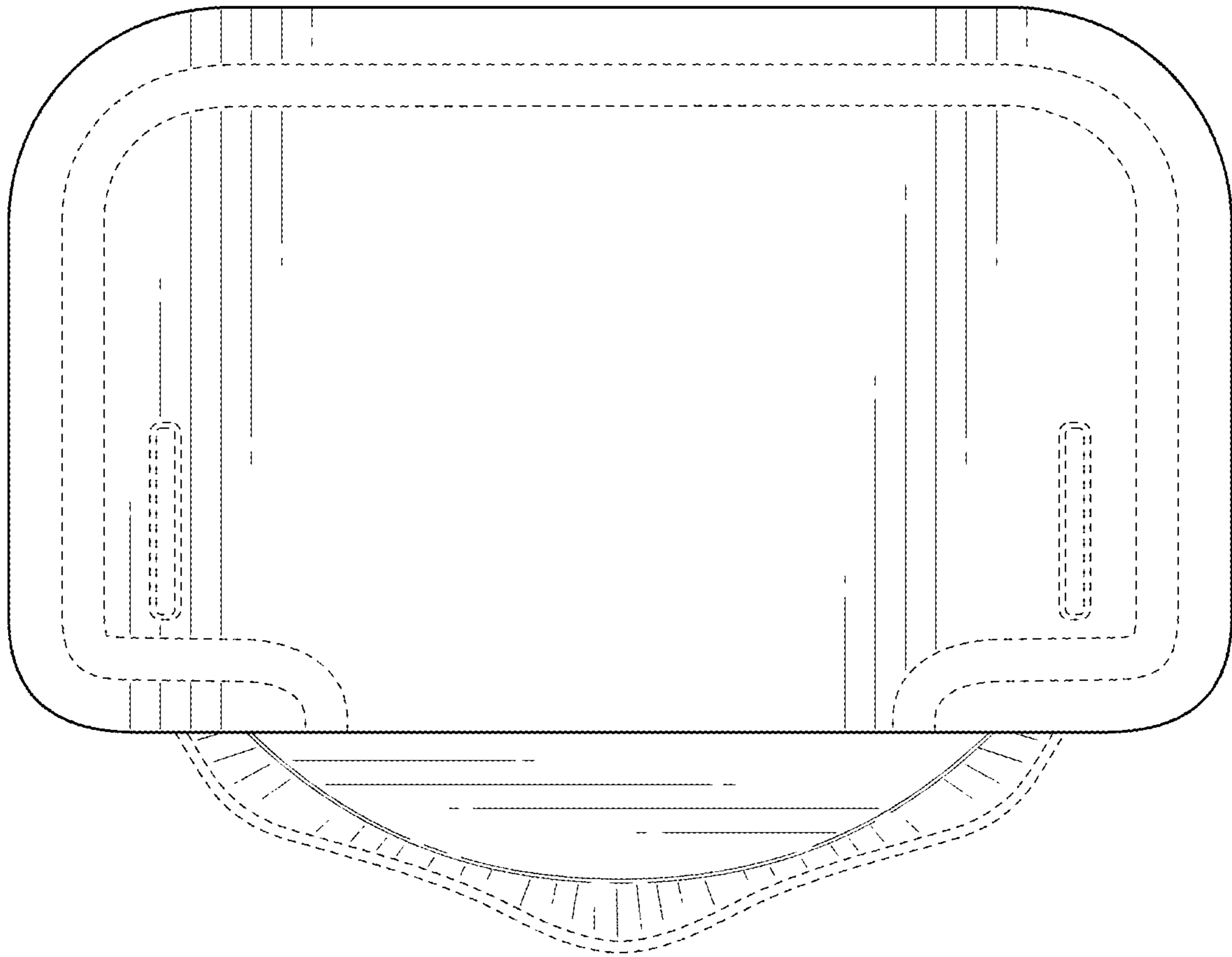


FIG. 8

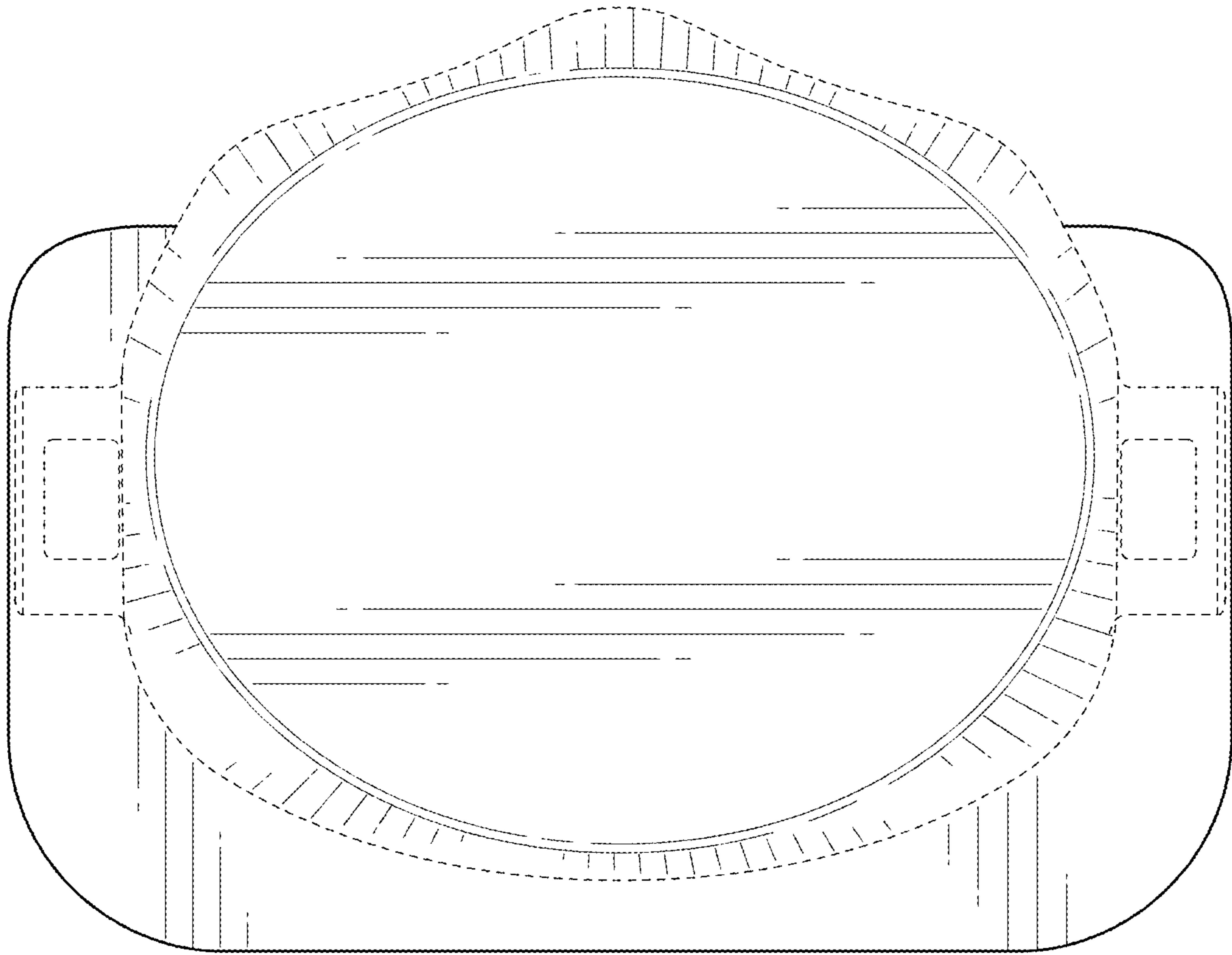


FIG. 9