



US00D925299S

(12) **United States Design Patent** (10) **Patent No.:** **US D925,299 S**
Nichols et al. (45) **Date of Patent:** **** Jul. 20, 2021**

(54) **CONTAINER ACCESSORIES**

FOREIGN PATENT DOCUMENTS

(71) Applicant: **YETI Coolers, LLC**, Austin, TX (US)

BE 1013040 A3 8/2001
BE 1016429 A3 10/2006

(72) Inventors: **Steve Charles Nichols**, Austin, TX (US); **Andy Bondhus**, Austin, TX (US); **Tobias Hotchkiss**, Austin, TX (US); **Mark Carlson Rane**, Austin, TX (US); **John Loudenslager**, Austin, TX (US); **Derek G. Sullivan**, Austin, TX (US)

(Continued)

(73) Assignee: **YETI Coolers, LLC**, Austin, TX (US)

(**) Term: **15 Years**

(21) Appl. No.: **29/760,873**

(22) Filed: **Dec. 4, 2020**

OTHER PUBLICATIONS

Pelican Elite 50 Quart Cooler, available Nov. 9, 2016, [online], [site visited Mar. 31, 2018]. Available from internet, <URL: https://www.amazon.com/Pelican-Elite-Quart-Cooler-White/product-reviews/B01G7KG5PA/ref=cm_cr_getr_d_paging_btm_5?ie=UTF8&reviewerType=all_reviews&sortBy=recent&pageNumber=5> (Year:2016).

(Continued)

Primary Examiner — Terry A Wallace

(74) *Attorney, Agent, or Firm* — Banner & Witcoff, Ltd.

(57) **CLAIM**

The ornamental design for container accessories, as shown and described.

Related U.S. Application Data

(63) Continuation of application No. 29/757,384, filed on Nov. 5, 2020, which is a continuation of application (Continued)

(51) **LOC (13) Cl.** **07-01**

(52) **U.S. Cl.**
USPC **D7/605; D3/301**

(58) **Field of Classification Search**
USPC D7/605–607, 629, 630, 709, 710;
D3/299, 301, 274, 201, 203.1–203, 8,
D3/205, 206

(Continued)

(56) **References Cited**

U.S. PATENT DOCUMENTS

286,909 A 10/1883 Commander
1,008,041 A 11/1911 Leonard

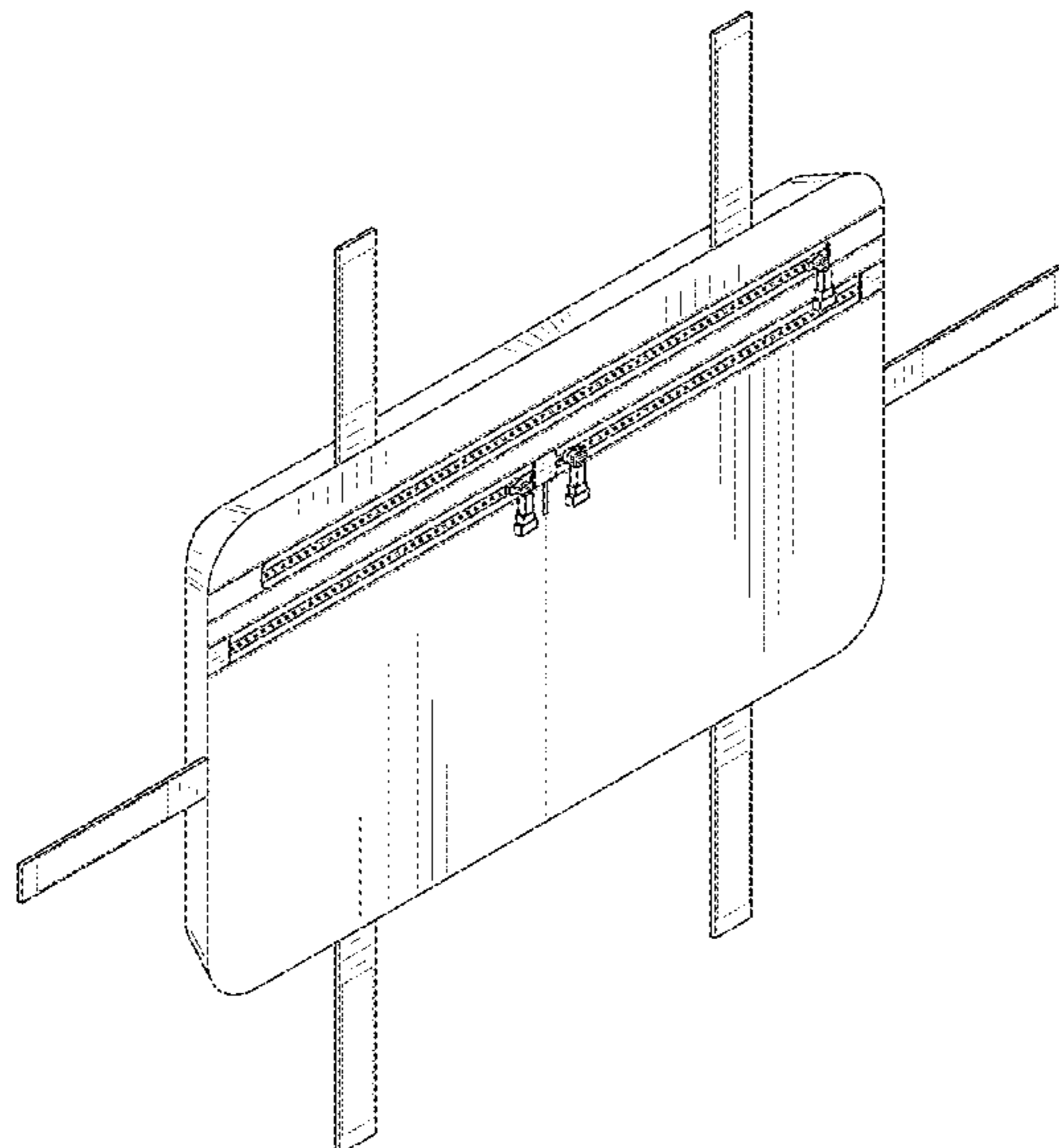
(Continued)

DESCRIPTION

FIG. 1 is a top, front, right perspective view of container accessories showing our new design;
FIG. 2 is a top, front, left perspective of a bag accessory of the container accessories showing our new design;
FIG. 3 is a bottom, rear, right perspective view thereof;
FIG. 4 is a front view thereof;
FIG. 5 is a rear view thereof;
FIG. 6 is a left side view thereof;
FIG. 7 is a right side view thereof;
FIG. 8 is a top view thereof; and,
FIG. 9 is a bottom view thereof.

The even-length broken lines within the shaded area represent stitching. The broken lines immediately adjacent to the shaded area define the bounds of the claimed design and form no part thereof. The broken lines depicting the remainder of the container accessories show features that form no part of the claimed design.

1 Claim, 7 Drawing Sheets



Related U.S. Application Data

No. 29/673,074, filed on Dec. 11, 2018, now Pat. No. Des. 907,445.

(58) **Field of Classification Search**

CPC A45C 11/20; A45C 3/00; A45C 2003/008; A45C 5/03; F25D 2331/804; F25D 2331/801; F25D 3/08; F25D 3/02; F25D 3/04; F25D 3/06; F25D 3/14; F25D 3/107; B65D 81/38; B65D 81/3813; B65D 81/3816; B65D 81/3818; B65D 81/382; B65D 81/3823; B65D 81/3825; B65D 81/3827; B65D 81/383; B65D 81/3832; B65D 81/3834; B65D 81/3848; B65D 81/3851; B65D 81/3853; B65D 81/3855; B65D 81/3858; B65D 81/386; B65D 81/3862; B65D 81/361; G07F 9/026; G07F 9/105; A61F 7/10

See application file for complete search history.

(56) **References Cited**

U.S. PATENT DOCUMENTS

1,056,648 A 3/1913 Earley
 2,101,337 A 12/1937 Komenak
 2,109,928 A 3/1938 Passalaqua
 2,439,660 A 4/1948 Keil
 2,472,491 A 6/1949 Quinton
 2,510,643 A 6/1950 Long
 2,565,939 A 8/1951 Wriston
 2,574,089 A 11/1951 Cochran
 2,577,951 A 12/1951 Cortsen
 2,581,417 A 1/1952 Jones
 2,604,961 A 7/1952 Koch
 2,647,653 A 8/1953 Dube
 2,717,093 A 9/1955 Mautner
 2,747,732 A 5/1956 Fischer
 2,803,956 A 8/1957 Womer
 2,931,205 A 4/1960 Schmitz
 2,936,189 A 5/1960 Pearson
 3,057,636 A 10/1962 D'Ettorre
 3,141,680 A 7/1964 McCord
 3,191,244 A 6/1965 Urke
 3,202,310 A 8/1965 Tibbets
 3,225,983 A 12/1965 Majka
 3,250,558 A 5/1966 McClintock
 3,259,412 A 7/1966 Wheeler
 3,416,701 A 12/1968 Kramer et al.
 3,432,025 A 3/1969 Luhe
 3,464,579 A 9/1969 Asenbauer
 3,565,305 A 2/1971 Belokin, Jr.
 3,642,168 A 2/1972 Wiley, Jr. et al.
 3,656,650 A 4/1972 Frater
 3,661,410 A 5/1972 Larson et al.
 3,688,942 A 9/1972 Mitchell et al.
 3,690,708 A 9/1972 Worley et al.
 3,741,433 A 6/1973 Bentley et al.
 3,847,423 A 11/1974 Gley
 3,861,504 A 1/1975 McGraw
 3,882,914 A 5/1975 Strutz
 3,886,625 A 6/1975 Rollband
 3,902,628 A 9/1975 Schurman
 3,915,362 A 10/1975 Hart
 3,917,038 A 11/1975 Foge et al.
 3,933,269 A 1/1976 Mastrovito
 3,955,656 A 5/1976 Kashinski
 3,987,829 A 10/1976 Leone
 3,991,921 A 11/1976 Hirsch
 4,094,392 A 6/1978 Gregg et al.
 4,095,711 A 6/1978 Conley
 4,116,479 A 9/1978 Poe
 4,143,442 A 3/1979 Harlang
 4,153,178 A 5/1979 Weavers
 D256,630 S 9/1980 Maney

D257,218 S 10/1980 Eriksson
 4,249,760 A 2/1981 Conley
 4,254,850 A 3/1981 Knowles
 4,273,223 A 6/1981 Tomlinson
 4,343,412 A 8/1982 Wilcox et al.
 4,351,165 A 9/1982 Gottsegen et al.
 4,446,705 A 5/1984 Loucks
 4,465,189 A 8/1984 Molzan
 4,476,988 A 10/1984 Tanner
 4,509,622 A 4/1985 Morszeck
 4,515,421 A * 5/1985 Steffes A45C 11/20
 312/351
 4,516,686 A 5/1985 Chaussepied
 4,522,312 A 6/1985 Rathgeber et al.
 4,523,692 A 6/1985 Lemkin
 4,550,813 A 11/1985 Browning
 4,561,526 A 12/1985 Winter et al.
 4,573,202 A 2/1986 Lee
 4,575,109 A 3/1986 Cowdery
 4,592,482 A 6/1986 Seager
 4,615,464 A 10/1986 Byrns
 4,662,188 A 5/1987 Hullivan
 4,673,207 A 6/1987 Reynolds et al.
 D290,908 S * 7/1987 Thomas D3/274
 4,706,344 A 11/1987 Tanaka et al.
 4,707,011 A 11/1987 McKim, Jr.
 4,712,657 A 12/1987 Myers et al.
 4,746,008 A 5/1988 Heverly et al.
 4,768,815 A 9/1988 Harmon
 4,775,072 A 10/1988 Lundblade et al.
 4,802,344 A 2/1989 Livingston et al.
 4,805,272 A 2/1989 Yamaguchi
 4,826,060 A 5/1989 Hollingsworth
 4,858,444 A 8/1989 Scott
 4,873,841 A 10/1989 Bradshaw et al.
 4,899,904 A 2/1990 Dooley et al.
 4,904,007 A 2/1990 Woodruff
 4,917,261 A 4/1990 Borst
 4,928,800 A 5/1990 Green et al.
 4,930,649 A 6/1990 Moser
 4,975,073 A 12/1990 Weisman
 4,982,863 A 1/1991 Skillius
 5,011,020 A 4/1991 Stevens et al.
 5,014,830 A 5/1991 Seynhaeve
 5,024,471 A 6/1991 Kahl et al.
 5,040,834 A 8/1991 Kahl et al.
 5,044,513 A 9/1991 Van Berne
 5,062,557 A 11/1991 Mahvi et al.
 5,075,925 A 12/1991 Maloney
 5,080,250 A 1/1992 Dickinson et al.
 5,096,030 A 3/1992 Espinosa et al.
 5,101,541 A 4/1992 Watanabe
 5,111,920 A 5/1992 Castelli et al.
 D327,427 S 6/1992 McCooey
 5,117,952 A 6/1992 Suh
 D328,186 S 7/1992 Hanke
 5,139,294 A 8/1992 Ward et al.
 5,153,561 A 10/1992 Johnson
 5,165,583 A 11/1992 Kouwenberg
 5,167,433 A 12/1992 Ryan
 5,169,018 A 12/1992 Fiore
 D333,775 S 3/1993 Krape
 D334,870 S 4/1993 Griffin
 D335,030 S 4/1993 Alfonso
 5,205,413 A 4/1993 Cautereels et al.
 5,213,381 A 5/1993 Anderson
 5,216,905 A 6/1993 Sersch et al.
 5,235,830 A 8/1993 Bengé
 D340,167 S 10/1993 Kahl
 D342,609 S 12/1993 Brightbill
 5,269,157 A 12/1993 Ciminelli et al.
 5,282,706 A 2/1994 Anthony et al.
 5,313,817 A 5/1994 Meinders
 D347,971 S 6/1994 Krugman
 5,319,937 A 6/1994 Fritsch et al.
 5,322,178 A 6/1994 Foos
 5,335,451 A 8/1994 Druzynski
 D351,533 S 10/1994 Lynam, Jr.
 5,353,946 A 10/1994 Behrend

(56)

References Cited

U.S. PATENT DOCUMENTS

5,358,082 A	10/1994	Armstrong, IV	5,896,962 A	4/1999	Smith et al.
5,373,708 A	12/1994	Dumoulin, Jr.	5,901,571 A	5/1999	Whaley
D355,568 S	2/1995	Paulin et al.	5,904,269 A	5/1999	Wolff
5,390,811 A	2/1995	Ogino et al.	D410,387 S	6/1999	Jacques
5,402,557 A	4/1995	Dalen	5,924,303 A	7/1999	Hodosh
D358,765 S	5/1995	Dickinson et al.	5,933,929 A	8/1999	Kawakami et al.
5,419,432 A	5/1995	Ingram	5,934,716 A	8/1999	Koveal et al.
5,423,644 A	6/1995	First, Sr.	5,940,940 A	8/1999	Tanikoshi et al.
5,427,308 A	6/1995	Swift et al.	5,950,368 A	9/1999	Bradford
D359,836 S	7/1995	Shuler	5,956,805 A	9/1999	Huang
5,431,263 A	7/1995	Nordstrom	5,957,321 A	9/1999	Jones
5,435,256 A	7/1995	Svehaug	D414,673 S	10/1999	Dickinson et al.
D361,888 S	9/1995	Kahl et al.	5,971,218 A	10/1999	Le
5,454,477 A	10/1995	Bornhorst et al.	5,975,334 A	11/1999	Mayo
D364,426 S	11/1995	Bucaccio	5,984,064 A	11/1999	Byington
5,465,985 A	11/1995	Devan et al.	5,984,326 A	11/1999	Abraham et al.
5,478,097 A	12/1995	Forma	5,984,382 A	11/1999	Bourne et al.
D367,360 S	2/1996	Wolff	5,988,658 A	11/1999	Ritchie et al.
D368,161 S	3/1996	Miller	6,015,072 A	1/2000	Young
D369,342 S	4/1996	Williams	D419,767 S	2/2000	Richardson et al.
D369,695 S	5/1996	Imotani	D419,768 S	2/2000	Richardson et al.
5,518,139 A	5/1996	Trower et al.	D420,221 S	2/2000	Williams et al.
5,519,919 A	5/1996	Lee	6,047,976 A *	4/2000	Wang A45C 5/03 280/37
D370,619 S	6/1996	Hall et al.	6,050,373 A	4/2000	Wonka et al.
D371,051 S	6/1996	Melk	6,079,083 A	6/2000	Akashi
D371,052 S	6/1996	Melk	6,079,754 A	6/2000	Alexy
5,524,737 A	6/1996	Wang	D427,882 S	7/2000	Wytcherley et al.
5,526,953 A	6/1996	Chieng	D428,698 S	8/2000	Cheng
D371,724 S	7/1996	Melk	6,105,767 A	8/2000	Vasudeva
D371,942 S	7/1996	Lippincott et al.	6,129,231 A	10/2000	Hsiao et al.
5,533,231 A	7/1996	Bai	6,135,253 A	10/2000	Weissman et al.
D373,514 S	9/1996	Melk	6,152,501 A	11/2000	Magi et al.
D373,515 S	9/1996	Melk	D435,780 S	1/2001	Tieu
5,564,805 A	10/1996	Dickinson	6,167,994 B1	1/2001	Kuo et al.
5,568,848 A	10/1996	Liang	6,170,122 B1	1/2001	Kuo
5,570,915 A	11/1996	Asadurian	6,176,499 B1	1/2001	Conrado et al.
5,575,362 A	11/1996	Franklin et al.	6,176,559 B1	1/2001	Tiramani et al.
5,603,545 A	2/1997	Benson et al.	6,179,176 B1	1/2001	Saggese et al.
5,620,212 A	4/1997	Bourne et al.	D441,954 S	5/2001	Parker
5,620,213 A	4/1997	Ellis	6,234,287 B1	5/2001	Pfeiffer
5,626,373 A	5/1997	Chambers et al.	6,244,064 B1	6/2001	Powell et al.
5,630,630 A	5/1997	Price et al.	6,244,066 B1	6/2001	LaRose
D380,369 S	7/1997	Antonucci	6,244,458 B1	6/2001	Frysinger et al.
D381,512 S	7/1997	Green	6,247,203 B1	6/2001	Kuo
D381,562 S	7/1997	Westcott	6,247,328 B1	6/2001	Mogil
D381,871 S	8/1997	Melk	6,260,240 B1	7/2001	Akashi et al.
D382,114 S	8/1997	Dickinson et al.	6,279,971 B1	8/2001	Dessenberger, Jr.
D383,306 S	9/1997	Pennoyer	6,289,554 B1	9/2001	Wang
D383,603 S	9/1997	Pedlar	6,289,684 B1	9/2001	Guidry, II et al.
5,662,223 A	9/1997	Sylegård	D449,163 S	10/2001	Dahlen et al.
5,683,097 A	11/1997	Fenton et al.	6,305,185 B1	10/2001	Sloan
5,688,001 A	11/1997	Klein et al.	D451,278 S	12/2001	Cooper
D387,249 S	12/1997	Mogil	6,343,815 B1	2/2002	Poe
D387,558 S	12/1997	Mann et al.	D454,292 S	3/2002	Plummer et al.
D387,626 S	12/1997	Melk	6,353,978 B1	3/2002	Kawahara et al.
5,704,158 A	1/1998	Whiteaker	6,357,080 B1	3/2002	Tsai
5,718,350 A	2/1998	Williams	6,360,400 B1	3/2002	Chang
D392,510 S	3/1998	Perez	6,363,739 B1	4/2002	Hodosh et al.
5,727,844 A	3/1998	O'Quinn et al.	6,367,602 B1	4/2002	Chang
5,732,987 A	3/1998	Wright et al.	6,371,320 B2	4/2002	Sagol
5,755,311 A	5/1998	Younessian et al.	6,371,346 B1	4/2002	Sharma
5,762,242 A	6/1998	Yost	6,375,237 B1	4/2002	Koenig
5,762,411 A	6/1998	Yemini	D457,725 S	5/2002	Parsons
5,769,194 A	6/1998	Chang	6,389,645 B1	5/2002	Polidoro
5,797,488 A	8/1998	Yemini	6,398,272 B1	6/2002	Plummer et al.
5,803,472 A	9/1998	Lien	6,401,308 B1	6/2002	Kawahara
5,813,503 A	9/1998	Chang	6,422,386 B1	7/2002	Wiese et al.
5,816,185 A	10/1998	Ruthrford	6,427,475 B1	8/2002	DeFelice et al.
5,826,718 A	10/1998	Ahem, Jr. et al.	6,427,501 B2	8/2002	Ramsauer
5,826,770 A	10/1998	Chuang	D462,519 S	9/2002	Gaydos et al.
5,839,553 A	11/1998	Dorsam	6,446,382 B1	9/2002	Cloutier et al.
5,860,281 A	1/1999	Coffee et al.	6,446,988 B1	9/2002	Kho
5,865,281 A	2/1999	Wang	D464,485 S	10/2002	Sward et al.
5,875,948 A	3/1999	Sadler	6,467,779 B1	10/2002	Mills
5,887,745 A	3/1999	Wood	6,478,463 B2	11/2002	Snider
			6,481,239 B2	11/2002	Hodosh et al.
			D466,439 S	12/2002	Wagner et al.
			D467,424 S	12/2002	Hardigg et al.

(56)

References Cited

U.S. PATENT DOCUMENTS

D467,425 S	12/2002	Hardigg et al.	7,082,641 B1	8/2006	Jung et al.	
D467,426 S	12/2002	Hardigg et al.	7,093,699 B2	8/2006	Yu	
6,497,311 B2	12/2002	Tiramani et al.	D528,800 S	9/2006	Liu et al.	
6,497,438 B1	12/2002	Holub et al.	D530,095 S	10/2006	Herzberg	
6,499,574 B1	12/2002	Anthony	7,162,890 B2	1/2007	Mogil et al.	
6,502,677 B1	1/2003	Tiramani et al.	D537,251 S	2/2007	Musgrove	
6,508,389 B1	1/2003	Ripoyla et al.	7,171,731 B1	2/2007	Borcherding	
6,520,514 B2	2/2003	Clegg	D539,543 S	4/2007	Wu	
D471,711 S	3/2003	Addison	D540,540 S	4/2007	Szyf et al.	
6,527,309 B1	3/2003	Gaydos et al.	D540,651 S	4/2007	Wolf, V	
6,532,624 B1	3/2003	Yang	D540,652 S	4/2007	Wolf, V	
D472,431 S	4/2003	Spence, Jr.	D544,211 S	6/2007	Herzberg	
6,543,096 B2	4/2003	Settelmayer et al.	7,237,660 B2	7/2007	Wu	
6,547,218 B2	4/2003	Landy	7,246,704 B2	7/2007	Brunson et al.	
6,547,289 B1	4/2003	Greenheck et al.	7,246,718 B2	7/2007	Einav et al.	
6,550,592 B1	4/2003	Godshaw et al.	D552,352 S	10/2007	Lin	
6,554,327 B1	4/2003	Riley	7,284,393 B1 *	10/2007	Macmillan	F25D 3/06 62/457.7
D474,649 S	5/2003	Spence, Jr.	7,284,763 B1	10/2007	King	
6,574,983 B2	6/2003	Smith et al.	D555,902 S	11/2007	Pendergraph et al.	
6,585,090 B2	7/2003	Harvey	7,296,434 B2	11/2007	Scroggs	
D477,916 S	8/2003	Nykoluk	7,306,243 B2	12/2007	Van Horn et al.	
D478,782 S	8/2003	Li	7,309,106 B2	12/2007	Stallman	
6,612,411 B2	9/2003	Nykoluk et al.	D562,646 S	2/2008	Lown et al.	
6,619,448 B1	9/2003	Wang	7,334,680 B2	2/2008	Cunningham et al.	
D481,293 S	10/2003	Ayrest	7,334,802 B2	2/2008	Kaplan	
6,637,077 B2	10/2003	Doty	D563,101 S	3/2008	Kuchler	
6,637,562 B2	10/2003	Oh	7,344,028 B2	3/2008	Hanson	
D482,593 S	11/2003	Wolf	D566,479 S	4/2008	Kabalin	
6,640,397 B1	11/2003	Gipson	7,367,451 B2	5/2008	Pendergraph et al.	
6,646,864 B2	11/2003	Richardson	7,370,891 B1	5/2008	Schmitt et al.	
D484,004 S	12/2003	Lee	D570,601 S	6/2008	Drew et al.	
6,658,903 B1	12/2003	McShane et al.	D570,603 S	6/2008	Wu et al.	
6,679,358 B2	1/2004	Be	7,387,350 B2	6/2008	Killinger et al.	
6,679,359 B2	1/2004	Pfeiffer	D572,577 S	7/2008	Hatton	
6,691,451 B1	2/2004	Keenan	7,397,674 B2	7/2008	Schlack	
D487,348 S	3/2004	Fenton et al.	D574,150 S	8/2008	Ross	
6,698,608 B2	3/2004	Parker et al.	D574,667 S	8/2008	Grabijas, III et al.	
6,718,559 B1	4/2004	Davidson	D575,059 S	8/2008	Cappiello et al.	
D489,531 S	5/2004	Oh	7,415,794 B1	8/2008	Thompson	
D489,595 S	5/2004	Gleichauf et al.	7,418,311 B1 *	8/2008	Lagassey	G07F 9/026 221/150 R
6,736,265 B2	5/2004	Kipper et al.	D578,758 S	10/2008	Stevens et al.	
D490,980 S	6/2004	Concari	D579,202 S	10/2008	Grenier et al.	
D491,797 S	6/2004	Eriksson	7,434,410 B2	10/2008	Ford	
D492,184 S	6/2004	Parker et al.	7,441,641 B2	10/2008	Beakey	
6,755,448 B2	6/2004	Jackson et al.	D581,161 S	11/2008	Tong	
D493,286 S	7/2004	Concari	D582,678 S	12/2008	Rekuc et al.	
6,757,942 B2	7/2004	Matsui et al.	7,458,481 B2	12/2008	Yuen	
6,761,366 B1	7/2004	Klemmensen et al.	7,461,871 B2	12/2008	Vauchel	
6,779,681 B2	8/2004	Doerfler et al.	7,475,782 B2	1/2009	Lombardi	
6,789,692 B2	9/2004	Prezelin	D587,902 S	3/2009	Yoneno	
6,793,096 B1	9/2004	Seok	7,503,439 B2	3/2009	O'Shea et al.	
D497,480 S	10/2004	Drew et al.	D590,694 S	4/2009	Stuckey	
D498,053 S	11/2004	Nordstrom et al.	7,516,520 B2	4/2009	Kelaher et al.	
D498,054 S	11/2004	Moon	7,516,842 B2	4/2009	Gu	
6,821,019 B2	11/2004	Mogil	D591,511 S	5/2009	Wu	
D500,598 S	1/2005	Ramos	7,530,405 B2	5/2009	Kollath et al.	
6,877,189 B2	4/2005	Simonson et al.	7,533,782 B2	5/2009	Parker et al.	
6,883,208 B1	4/2005	Huang	7,540,364 B2	6/2009	Sanderson	
D505,011 S	5/2005	Einav	7,549,652 B2	6/2009	Wu	
6,895,789 B2	5/2005	Masseth, Jr. et al.	D596,400 S	7/2009	Chu et al.	
D508,376 S	8/2005	Bhavnani	D597,652 S	8/2009	Tang	
6,929,145 B2	8/2005	Shepler	7,568,739 B2	8/2009	Lee	
6,955,381 B2	10/2005	Parker et al.	7,571,915 B1	8/2009	Simmons	
6,981,780 B2	1/2006	Einav	D600,912 S	9/2009	Brunner	
6,983,946 B2	1/2006	Sullivan et al.	7,581,656 B2	9/2009	Gnepper et al.	
D515,362 S	2/2006	Chan	D602,252 S	10/2009	Ehret	
D517,947 S	3/2006	Hollingsworth et al.	7,604,290 B1	10/2009	Giordano	
7,017,740 B2	3/2006	Itzkovitch	7,607,540 B2	10/2009	Ballard	
7,028,730 B2	4/2006	Pace et al.	D603,165 S *	11/2009	Losiewicz	D3/299
D520,237 S	5/2006	Cheng	D607,697 S	1/2010	Whitlock et al.	
7,040,115 B1	5/2006	Lopez et al.	D608,159 S	1/2010	Whitlock et al.	
D522,811 S	6/2006	Martinez et al.	D608,601 S	1/2010	Whitlock et al.	
D523,242 S	6/2006	Hardigg et al.	D610,349 S	2/2010	Ehret	
7,066,311 B2	6/2006	O'Shea	7,658,269 B2	2/2010	Wu	
D525,714 S	7/2006	Ueda	7,669,436 B2	3/2010	Mogil et al.	
			7,688,584 B1	3/2010	Becklin	
			D613,560 S	4/2010	Robichaud et al.	

(56)

References Cited

U.S. PATENT DOCUMENTS

7,703,588 B2	4/2010	Chiang	D677,896 S	3/2013	Wu
7,722,204 B1	5/2010	Sandberg	D678,749 S	3/2013	Tung
D617,561 S	6/2010	Salerno-Tortora	D678,750 S	3/2013	Tung
7,735,261 B2	6/2010	Sellati	8,424,930 B2	4/2013	Matsubara et al.
D618,966 S	7/2010	Koehler et al.	8,430,284 B2	4/2013	Broadbent et al.
D619,423 S	7/2010	Koehler et al.	D681,337 S	5/2013	Wu
D619,854 S	7/2010	Koehler et al.	8,459,058 B2	6/2013	Mogil
D619,855 S	7/2010	Koehler et al.	8,459,422 B1	6/2013	Efron
7,748,232 B2	7/2010	Kang	8,459,487 B2	6/2013	Sharma et al.
D624,315 S	9/2010	Amatrudo	8,459,495 B2	6/2013	Koenig et al.
7,806,287 B2	10/2010	Rouns	D685,186 S	7/2013	Massaud
D626,451 S	11/2010	Helwig et al.	8,474,098 B1	7/2013	Yang
D627,162 S	11/2010	Weng	8,484,813 B2	7/2013	Taniguchi et al.
D627,199 S	11/2010	Pruchnicki	8,490,413 B2	7/2013	Blackway et al.
7,841,207 B2	11/2010	Mogil et al.	8,496,133 B2	7/2013	Mizukoshi et al.
D629,200 S	12/2010	Turella-Yuan et al.	D688,589 S	8/2013	Hung et al.
7,854,321 B2	12/2010	Twig et al.	8,505,729 B2	8/2013	Sosnovsky et al.
D630,435 S	1/2011	Brunner	8,517,211 B2	8/2013	Brown et al.
7,861,552 B1	1/2011	Hughes	D688,920 S	9/2013	Manley et al.
7,861,834 B2	1/2011	Gorge et al.	D691,808 S	10/2013	Wu
7,874,047 B2	1/2011	Breeden	8,544,648 B2	10/2013	Cleveland et al.
7,874,408 B2	1/2011	Suppangig	8,561,264 B2	10/2013	Hasegawa et al.
D633,300 S	3/2011	Fair	8,561,269 B2	10/2013	LeCompte et al.
D634,545 S	3/2011	Fair	8,567,631 B2	10/2013	Brunner
7,909,148 B1	3/2011	Miller et al.	8,567,796 B2	10/2013	Bar-Erez et al.
D635,366 S	4/2011	Luburic	8,572,821 B2	11/2013	Hasegawa
D636,292 S	4/2011	Brown	8,573,399 B2	11/2013	Ulmer et al.
7,922,052 B2	4/2011	Podschus	8,590,704 B2	11/2013	Koenig et al.
D637,811 S	5/2011	Hong	8,590,724 B2	11/2013	Kreidler et al.
7,937,884 B1	5/2011	Naylor et al.	8,596,485 B2	12/2013	Lindsay
7,959,194 B2	6/2011	Mahoney	8,596,487 B1	12/2013	Su
D642,379 S	8/2011	Buller	8,601,838 B2	12/2013	Hansen et al.
D643,624 S	8/2011	Hong	8,616,600 B2	12/2013	Owen
7,997,591 B2	8/2011	Arthur	D697,717 S	1/2014	Santy
D644,434 S	9/2011	Miles et al.	8,622,235 B2	1/2014	SucHECKI
8,016,153 B2	9/2011	Boenig et al.	8,627,972 B2	1/2014	Thomas
D646,528 S	10/2011	Stallman et al.	D699,100 S	2/2014	Moreau et al.
8,037,983 B2	10/2011	Leung	D699,438 S	2/2014	Mathieu et al.
D648,538 S	11/2011	Reinhart et al.	8,640,937 B2	2/2014	Pruchnicki
D650,585 S	12/2011	Jamison et al.	8,677,661 B2	3/2014	Michels et al.
8,091,731 B2	1/2012	Kidd et al.	8,678,227 B2	3/2014	Patstone
8,096,152 B2	1/2012	Wagh et al.	D701,697 S	4/2014	Sabbag et al.
8,096,442 B2	1/2012	Ramundi	D703,435 S	4/2014	Wile et al.
8,099,836 B2	1/2012	Breeden et al.	8,683,660 B2	4/2014	Hasegawa et al.
D654,694 S	2/2012	Wu	8,689,396 B2	4/2014	Wolfe et al.
8,141,211 B2	3/2012	Weyer et al.	8,714,568 B2	5/2014	Allam et al.
D659,395 S	5/2012	Sijmons	8,740,010 B1	6/2014	Page
D660,000 S	5/2012	Peterson et al.	8,757,642 B2	6/2014	Arthur et al.
8,167,166 B2	5/2012	Kidd et al.	8,757,643 B2	6/2014	Arthur et al.
8,176,749 B2	5/2012	LaMere et al.	8,757,696 B2	6/2014	Schneider
8,191,747 B2	6/2012	Pruchnicki	D709,336 S	7/2014	Liebenthal
8,210,353 B2	7/2012	Epicureo	D709,696 S	7/2014	Wu
8,214,972 B2	7/2012	Lai	8,763,848 B2	7/2014	Carey
D664,891 S	8/2012	Takeda	8,763,851 B2	7/2014	Jiang et al.
D665,166 S	8/2012	Khalifa et al.	8,770,426 B2	7/2014	Arnett et al.
D666,002 S	8/2012	Lai	8,777,045 B2	7/2014	Mitchell et al.
8,245,868 B2	8/2012	Ikeda et al.	D710,099 S	8/2014	Horovitz et al.
8,251,113 B2	8/2012	Baxter	D710,610 S	8/2014	Sijmons et al.
8,251,245 B2	8/2012	DiPietro et al.	D710,614 S	8/2014	Meersschaert
D666,831 S	9/2012	Kinsky et al.	D711,104 S	8/2014	Lai
D666,832 S	9/2012	Kinsky et al.	D711,646 S	8/2014	Ke
D667,697 S	9/2012	Shah	D711,647 S	8/2014	Chen
8,256,156 B1	9/2012	Burgoyne, Jr.	D711,648 S	8/2014	Chen
D668,049 S	10/2012	Buller	D711,649 S	8/2014	Chen
8,286,828 B2	10/2012	Schafer	D712,143 S	9/2014	Chehebar
8,287,009 B2	10/2012	Dane et al.	D714,056 S	9/2014	Weng
8,292,119 B2	10/2012	Kenneally	D714,057 S	9/2014	Hou
8,297,464 B2	10/2012	Grenier et al.	D714,064 S	9/2014	Kim
D670,502 S	11/2012	Wu	8,844,749 B2	9/2014	Manahan et al.
8,328,247 B2	12/2012	Tonelli	8,844,950 B2	9/2014	Greene et al.
8,336,708 B2	12/2012	Potterfield et al.	8,850,666 B2	10/2014	Hasegawa et al.
D674,192 S	1/2013	Li	8,851,282 B2	10/2014	Brunner
8,342,580 B2	1/2013	Cowie et al.	8,851,289 B2	10/2014	Shi
8,378,323 B1	2/2013	Spann et al.	8,857,654 B2	10/2014	Mogil et al.
8,382,171 B2	2/2013	Williams	8,863,975 B2	10/2014	McCanless
			8,864,185 B2	10/2014	Do
			8,864,189 B2	10/2014	Fournie et al.
			D717,152 S	11/2014	Weinerman et al.
			D718,051 S	11/2014	Frahm et al.

(56)

References Cited

U.S. PATENT DOCUMENTS

8,875,877 B2	11/2014	Cottle et al.	9,254,901 B2	2/2016	Gill
8,875,888 B2	11/2014	Koenig et al.	9,259,090 B1	2/2016	Cronin
8,875,934 B2	11/2014	Deka	9,259,593 B2	2/2016	Roach et al.
8,881,930 B2	11/2014	Banik	9,259,828 B2	2/2016	Bermes
8,887,515 B2	11/2014	Patstone	9,266,462 B2	2/2016	Miller
D718,936 S	12/2014	Sanz et al.	D750,953 S	3/2016	Jacobsen et al.
D719,351 S	12/2014	Hailwood	D752,344 S	3/2016	Green
8,905,412 B2	12/2014	Fux	9,272,820 B2	3/2016	Cowie
8,910,788 B2	12/2014	Roach et al.	9,278,704 B2	3/2016	Cates
8,910,819 B2	12/2014	Seiders	9,290,297 B2	3/2016	Overath
8,919,596 B2	12/2014	Carino	D752,862 S	4/2016	Riddiford et al.
D720,536 S *	1/2015	Hsu D3/299	9,307,840 B2	4/2016	Restrepo et al.
D720,599 S	1/2015	Weinerman et al.	9,322,192 B2	4/2016	Burd
D720,928 S	1/2015	Roncato	D755,518 S	5/2016	Sijmons
8,925,752 B2	1/2015	Smith	9,327,887 B2	5/2016	Farentinos et al.
D722,771 S	2/2015	Wu	9,340,224 B2	5/2016	Yoder et al.
D722,860 S	2/2015	Linares	9,341,003 B2	5/2016	Ely et al.
8,944,476 B1	2/2015	Henderson	9,341,403 B2	5/2016	Conrad et al.
8,960,430 B2	2/2015	Roach et al.	9,346,616 B2	5/2016	Foster
8,960,735 B2	2/2015	Michael et al.	9,351,550 B2	5/2016	Arthur et al.
D724,323 S	3/2015	Wang	D759,971 S	6/2016	Riddiford et al.
8,979,100 B2	3/2015	Bensman et al.	9,359,798 B2	6/2016	Greenwood et al.
8,979,101 B2	3/2015	Primiano	9,376,050 B1	6/2016	Gill
8,979,144 B2	3/2015	Paugh et al.	9,387,963 B2	7/2016	McBroom et al.
8,985,326 B2	3/2015	Halsne et al.	9,393,684 B2	7/2016	Christopher et al.
8,985,385 B2	3/2015	Parker et al.	D762,471 S	8/2016	Green et al.
D725,907 S	4/2015	Yu	D762,977 S	8/2016	Xu
D727,620 S	4/2015	Tonelli	9,408,449 B1	8/2016	Tsai
9,004,274 B2	4/2015	Thornberg	9,415,787 B2	8/2016	Mericle
9,004,548 B2	4/2015	Joret et al.	9,427,058 B2	8/2016	Boglione
D728,933 S	5/2015	Sanz et al.	D765,397 S	9/2016	Reinhart
D730,050 S	5/2015	Hogan et al.	D765,406 S	9/2016	Faibish
9,027,751 B2	5/2015	Lee	D765,407 S	9/2016	Reinhart
D730,716 S	6/2015	Weinerman et al.	D765,408 S	9/2016	Reinhart
D731,250 S	6/2015	Butler et al.	D765,409 S	9/2016	Reinhart
D732,348 S	6/2015	Seiders et al.	D765,410 S	9/2016	Reinhart
D732,349 S	6/2015	Seiders et al.	D765,411 S	9/2016	Reinhart
D732,350 S	6/2015	Seiders et al.	D765,973 S	9/2016	Tonelli et al.
D732,823 S	6/2015	Baron	D767,277 S	9/2016	Faibish
D732,899 S	6/2015	Seiders et al.	9,435,578 B2	9/2016	Calderon et al.
D732,923 S	6/2015	Rechberg et al.	9,443,366 B2	9/2016	Rayner
9,045,264 B2	6/2015	Pils	D768,464 S	10/2016	Hatton
9,060,577 B2	6/2015	Farrelly et al.	9,468,277 B2	10/2016	King
9,067,081 B2	6/2015	Roach et al.	D770,179 S	11/2016	Menirom
D734,742 S	7/2015	Fujioka	D771,381 S	11/2016	Sosnovsky et al.
9,079,595 B2	7/2015	Chen et al.	D772,577 S	11/2016	Muchin et al.
9,085,403 B2	7/2015	Roach et al.	D773,821 S	12/2016	Reinhart
9,101,186 B2	8/2015	Lai	D773,901 S	12/2016	Marret
9,108,772 B2	8/2015	Hovatter	9,511,491 B2	12/2016	Brunner
9,113,686 B1	8/2015	Bishop	D776,429 S *	1/2017	Zagorski D3/274
9,114,909 B2	8/2015	Wagner	D776,932 S	1/2017	Reinhart
D738,702 S	9/2015	Linares	D776,934 S	1/2017	Braendle
9,139,352 B2	9/2015	Seiders et al.	D777,441 S	1/2017	Li
D740,557 S	10/2015	Liao	D777,530 S	1/2017	Marret
D740,558 S	10/2015	Liao	D778,054 S	2/2017	Li
D741,064 S *	10/2015	Ramos D3/299	D778,707 S	2/2017	Tonelli
9,163,871 B1	10/2015	Costello	D779,201 S	2/2017	Beilman et al.
9,169,678 B2	10/2015	Rozema	9,566,704 B1	2/2017	Stoikos et al.
D743,171 S	11/2015	Reinhart	9,567,784 B2	2/2017	Defrance et al.
9,187,210 B2	11/2015	Zhu et al.	D780,523 S	3/2017	Jacobsen
9,193,060 B2	11/2015	Ben-Gigi	D780,524 S	3/2017	Jacobsen
D744,750 S	12/2015	Sabbag et al.	D780,525 S	3/2017	Jacobsen
9,198,492 B2	12/2015	Chehebar	D784,017 S	4/2017	Hsieh
9,199,370 B2	12/2015	Crull	9,622,547 B2	4/2017	Seader
9,199,657 B2	12/2015	Martin	D785,937 S	5/2017	Morszeck
9,204,699 B2	12/2015	Pickens et al.	D786,561 S	5/2017	Seiders et al.
9,205,551 B2	12/2015	Green et al.	9,637,294 B2	5/2017	Kinsky
9,211,040 B2	12/2015	Lane	9,655,418 B2	5/2017	Chien et al.
9,215,918 B2	12/2015	Kao et al.	D788,460 S	6/2017	Morszeck
D747,639 S	1/2016	Linares	9,669,986 B1	6/2017	Evans
D747,950 S	1/2016	Jacobsen et al.	D792,094 S	7/2017	Stoikos et al.
D747,951 S	1/2016	Jacobsen et al.	D792,105 S	7/2017	Reinhart
9,233,465 B2	1/2016	Lai	D793,089 S	8/2017	Jackson
D748,452 S	2/2016	Jacobsen et al.	D796,199 S	9/2017	Law
9,248,566 B2	2/2016	Horiyama et al.	D796,838 S	9/2017	Sijmons et al.
			9,809,376 B2	11/2017	Mitchell et al.
			D804,819 S	12/2017	Faibish et al.
			D805,772 S	12/2017	Oshima
			D805,851 S	12/2017	Sullivan et al.

(56)

References Cited

U.S. PATENT DOCUMENTS

9,839,272 B2	12/2017	Licciardino	D840,150 S	2/2019	Seiders et al.
9,848,681 B1	12/2017	Chen	D840,194 S	2/2019	Furneaux et al.
9,849,901 B2	12/2017	Jackman	D842,048 S	3/2019	Wells
D806,483 S	1/2018	Stanford et al.	D844,325 S	4/2019	Nelson
D807,123 S	1/2018	Carey et al.	10,272,934 B2	4/2019	DeFrancia
D807,124 S	1/2018	Carey et al.	D848,219 S	5/2019	Munie et al.
D808,164 S	1/2018	Summers	D848,220 S	5/2019	Munie et al.
D808,653 S	1/2018	Rayeski et al.	D848,221 S	5/2019	Munie et al.
D808,655 S	1/2018	Seiders et al.	D848,222 S	5/2019	Munie et al.
D808,730 S	1/2018	Sullivan et al.	D848,223 S	5/2019	Munie et al.
9,878,841 B2	1/2018	Holderness et al.	D848,744 S	5/2019	Axelbaum
D809,293 S	2/2018	Virassamy et al.	D848,798 S	5/2019	Munie et al.
D809,295 S	2/2018	Ehret	D849,486 S	5/2019	Munie et al.
D810,432 S	2/2018	Ballou et al.	10,292,473 B2	5/2019	Meersschaert
D810,433 S	2/2018	Ballou et al.	D850,796 S	6/2019	Ricca
D811,084 S	2/2018	Ballou et al.	D851,401 S	6/2019	Zhang
D811,090 S	2/2018	Karl	10,314,377 B2	6/2019	Stephens
9,883,724 B2	2/2018	Woode	D853,729 S	7/2019	Axelbaum
9,894,971 B2	2/2018	Scicluna et al.	D854,826 S	7/2019	Tonelli
9,901,153 B2	2/2018	Nash	10,334,935 B2	7/2019	Chung
D811,742 S	3/2018	Ballou et al.	10,350,746 B2	7/2019	Martinez et al.
D811,744 S	3/2018	Ballou et al.	10,351,330 B2	7/2019	Smith et al.
D812,909 S	3/2018	Morszeck	10,357,874 B2	7/2019	Engvall et al.
9,913,518 B2	3/2018	Su	D857,386 S	8/2019	Shpitzer
D814,187 S	4/2018	Caglar	10,376,031 B1	8/2019	Majhess
D815,831 S	4/2018	Tonelli	10,378,569 B2	8/2019	Jensen et al.
D815,919 S	4/2018	DeFrancia	D859,842 S	9/2019	Frank
D816,337 S	5/2018	Cheng	10,399,748 B2	9/2019	Reinhart
D816,492 S	5/2018	Reinhart	10,401,075 B2	9/2019	Bond
D817,722 S	5/2018	Bradley	D861,535 S	10/2019	Venables
D818,712 S	5/2018	Fleming et al.	10,443,918 B2	10/2019	Li et al.
9,968,170 B2	5/2018	Morszeck	D869,160 S	12/2019	Seiders et al.
D819,331 S	6/2018	Ballou et al.	D869,244 S	12/2019	Ellison et al.
D820,049 S	6/2018	Ahlstrom et al.	D869,848 S	12/2019	Wu
9,999,284 B1	6/2018	Tan	D872,478 S	1/2020	Seiders et al.
D821,824 S	7/2018	Rane et al.	D872,485 S	1/2020	Seiders et al.
D821,825 S	7/2018	Sullivan et al.	D873,020 S	1/2020	Seiders et al.
D824,168 S	7/2018	Morszeck	10,568,395 B2	2/2020	Hayashi
D824,731 S	8/2018	Sullivan et al.	10,568,400 B2	2/2020	Shechter et al.
10,058,151 B2	8/2018	Morszeck	D876,833 S	3/2020	Brunner et al.
D827,304 S	9/2018	Tao	D878,054 S	3/2020	Reinhart et al.
D828,028 S	9/2018	Seiders et al.	10,595,608 B2	3/2020	Korey et al.
D828,029 S	9/2018	Seiders et al.	2002/0024189 A1	2/2002	Chen
D828,112 S	9/2018	Furneaux et al.	2002/0038745 A1	4/2002	Lamming
D829,244 S	9/2018	Sullivan et al.	2002/0074332 A1	6/2002	Sagol
10,080,412 B2	9/2018	Hartmann et al.	2002/0162841 A1	11/2002	Shamir et al.
D830,132 S	10/2018	Sullivan et al.	2002/0185871 A1	12/2002	Straka
D830,133 S	10/2018	Sullivan et al.	2002/0195827 A1	12/2002	Jackson et al.
D830,134 S	10/2018	Sullivan et al.	2003/0019705 A1	1/2003	Lau
10,086,745 B2	10/2018	Gill	2003/0038007 A1	2/2003	Han
10,088,144 B1	10/2018	Sandberg	2003/0038142 A1	2/2003	Gee
D832,653 S	11/2018	Waskow et al.	2003/0106821 A1	6/2003	Bar-Erez
10,124,742 B2	11/2018	Martinez et al.	2003/0111476 A1	6/2003	Serio
10,138,048 B2	11/2018	Mitchell et al.	2003/0136702 A1	7/2003	Redzisz et al.
D834,819 S	12/2018	Burek et al.	2004/0007604 A1	1/2004	Plzak
D835,470 S	12/2018	Seiders et al.	2004/0016854 A1	1/2004	Hart
D835,472 S	12/2018	Seiders et al.	2004/0025306 A1	2/2004	Coffey
D835,473 S	12/2018	Jacobsen	2004/0040967 A1	3/2004	Eiskant et al.
D835,946 S	12/2018	Seiders et al.	2004/0163910 A1	8/2004	Lee
10,143,282 B2	12/2018	Seiders et al.	2004/0178208 A1	9/2004	Leba et al.
10,159,312 B2	12/2018	Ito	2004/0246695 A1	12/2004	Schlack
10,160,471 B2	12/2018	Yahav et al.	2005/0023096 A1	2/2005	Tiramani
D836,993 S	1/2019	Meda et al.	2005/0099019 A1	5/2005	Hall et al.
D836,996 S	1/2019	Jacobsen	2005/0103813 A1	5/2005	Edwards
D836,997 S	1/2019	Jacobsen	2005/0139741 A1	6/2005	Yuen
D836,998 S	1/2019	Jacobsen	2005/0150892 A1	7/2005	Miller
D836,999 S	1/2019	Jacobsen	2005/0180835 A1	8/2005	Schneider
D837,001 S	1/2019	Jacobsen	2005/0199628 A1	9/2005	Van Handel et al.
D837,515 S	1/2019	Shpitzer	2005/0217071 A1	10/2005	Shinner
D837,611 S	1/2019	Lane et al.	2005/0279123 A1	12/2005	Maldonado et al.
D838,208 S	1/2019	Hirabayashi et al.	2006/0011641 A1	1/2006	Sanderson
D838,983 S	1/2019	Seiders et al.	2006/0017293 A1	1/2006	Tonelli
D838,984 S	1/2019	Seiders et al.	2006/0037178 A1	2/2006	Sulhoff
D839,094 S	1/2019	Giraud et al.	2006/0037824 A1	2/2006	Park et al.
D839,682 S	2/2019	Jacobsen	2006/0042897 A1	3/2006	Sanderson
			2006/0049640 A1	3/2006	Lee
			2006/0180422 A1	8/2006	Lin
			2006/0196218 A1	9/2006	Mogil et al.
			2006/0213736 A1	9/2006	Godshaw

(56)

References Cited

U.S. PATENT DOCUMENTS

2006/0213941	A1	9/2006	Sweeney	2013/0175130	A1	7/2013	Liang
2006/0225981	A1	10/2006	Lin	2013/0175276	A1	7/2013	Gleichauf et al.
2006/0249412	A1	11/2006	Hernandez et al.	2013/0248390	A1	9/2013	Roehm et al.
2006/0249522	A1	11/2006	Ringo	2013/0284619	A1*	10/2013	Daley B65D 81/3813 206/216
2006/0276768	A1	12/2006	Miller et al.	2013/0292220	A1	11/2013	Kerley
2007/0039957	A1	2/2007	Shulz et al.	2013/0292221	A1	11/2013	Ryan et al.
2007/0101754	A1	5/2007	Maldonado	2013/0307214	A1	11/2013	Groller et al.
2007/0175898	A1	8/2007	Craft et al.	2014/0027454	A1	1/2014	Banik
2007/0235452	A1	10/2007	Killinger et al.	2014/0062042	A1	3/2014	Wagner et al.
2007/0261977	A1	11/2007	Sakai	2014/0069832	A1	3/2014	Roehm
2008/0001373	A1	1/2008	Vaughn	2014/0130310	A1	5/2014	Roth
2008/0029528	A1	2/2008	Mireault	2014/0137370	A1	5/2014	Lo et al.
2008/0042460	A1	2/2008	Fuchs	2014/0138384	A1	5/2014	O'Brien
2008/0067095	A1	3/2008	Mueller	2014/0151388	A1	6/2014	Culeron et al.
2008/0067206	A1	3/2008	Kuhn	2014/0158028	A1	6/2014	Adams
2008/0078637	A1	4/2008	Su	2014/0166516	A1	6/2014	Martinez et al.
2008/0078682	A1	4/2008	Clark et al.	2014/0197059	A1	7/2014	Evans et al.
2008/0110892	A1	5/2008	House	2014/0251864	A1	9/2014	Voeller
2008/0116215	A1	5/2008	Chuang	2014/0252010	A1	9/2014	Miller
2008/0156858	A1	7/2008	Perry et al.	2014/0265197	A1	9/2014	Russell et al.
2008/0170388	A1	7/2008	Greil	2014/0271095	A1	9/2014	Umans et al.
2008/0190940	A1	8/2008	Scott	2014/0284158	A1	9/2014	Reid
2008/0196650	A1	8/2008	Femung	2014/0284243	A1	9/2014	Tucker
2008/0230339	A1	9/2008	Pereira	2014/0311361	A1	10/2014	Wangler
2008/0245095	A1	10/2008	Schlipman et al.	2014/0311844	A1	10/2014	Meersschaert et al.
2008/0257775	A1	10/2008	Randolph	2014/0319147	A1	10/2014	Horwitz et al.
2008/0264946	A1	10/2008	Moschella et al.	2015/0027835	A1	1/2015	Moon
2009/0009039	A1	1/2009	Mayes, Jr.	2015/0034515	A1	2/2015	Monyak et al.
2009/0014974	A1	1/2009	VanVorst et al.	2015/0069962	A1	3/2015	Dietzel et al.
2009/0049859	A1	2/2009	Moon	2015/0089903	A1	4/2015	Carey
2009/0078593	A1	3/2009	Patstone	2015/0090551	A1	4/2015	Sikka
2009/0080809	A1	3/2009	Pham et al.	2015/0114024	A1	4/2015	Grepper
2009/0101460	A1	4/2009	Justham et al.	2015/0129569	A1	5/2015	Miller
2009/0114646	A1	5/2009	Whalen	2015/0175338	A1	6/2015	Culp et al.
2009/0114653	A1	5/2009	Schenker	2015/0189963	A1	7/2015	Lai et al.
2009/0120126	A1*	5/2009	Mew A61F 7/10 62/530	2015/0190920	A1	7/2015	Karlsson et al.
2009/0158770	A1	6/2009	Cohrs et al.	2015/0208779	A1	7/2015	Tong
2009/0173744	A1	7/2009	Hassell	2015/0209226	A1	7/2015	Priebe et al.
2009/0194541	A1	8/2009	Mayo	2015/0233630	A1	8/2015	Bond
2009/0277905	A1	11/2009	Gillan	2015/0292840	A1	10/2015	Tobin
2010/0072215	A1	3/2010	Coon	2015/0296945	A1	10/2015	Douglas
2010/0078451	A1	4/2010	Mount	2015/0315532	A1	11/2015	Bergbohm et al.
2010/0108556	A1	5/2010	Claffy	2015/0352709	A1	12/2015	Diamond
2010/0133132	A1	6/2010	Allan	2015/0375558	A1	12/2015	Ben-Or
2010/0200784	A1	8/2010	Turner	2015/0375918	A1	12/2015	Holderness et al.
2010/0258576	A1	10/2010	Marquez	2016/0023837	A1	1/2016	Furneaux et al.
2010/0275642	A1	11/2010	Klettner	2016/0046417	A1	2/2016	Kromer
2011/0016911	A1	1/2011	Mosby	2016/0052682	A1	2/2016	Gunnerson et al.
2011/0064332	A1	3/2011	Piazza et al.	2016/0083186	A1	3/2016	Wright
2011/0114526	A1	5/2011	Neumann et al.	2016/0084454	A1	3/2016	Svitak, Sr. et al.
2011/0119986	A1	5/2011	Sellers	2016/0091239	A1	3/2016	Beland
2011/0121002	A1	5/2011	Stiller	2016/0135563	A1	5/2016	Truong
2011/0127264	A1	6/2011	Whalen	2016/0138809	A1	5/2016	Colucci et al.
2011/0132046	A1	6/2011	Tonelli	2016/0150862	A1	6/2016	Tonelli
2011/0181008	A1	7/2011	Bensman et al.	2016/0166024	A1	6/2016	Lai
2011/0182532	A1	7/2011	Baltus	2016/0183651	A1	6/2016	Tonelli
2011/0186396	A1	8/2011	Sheikh	2016/0244209	A1	8/2016	Hain
2011/0186398	A1	8/2011	Sheikh	2016/0251124	A1	9/2016	Arnold et al.
2011/0197625	A1	8/2011	Urban et al.	2016/0279840	A1	9/2016	French et al.
2011/0203328	A1	8/2011	Vilkomirski et al.	2017/0079398	A1	3/2017	Reh et al.
2011/0220531	A1	9/2011	Meether et al.	2017/0082342	A1	3/2017	Weinberg et al.
2011/0226003	A1	9/2011	Chaney et al.	2017/0127782	A1	5/2017	Korey et al.
2011/0226785	A1	9/2011	Sakell	2017/0165829	A1	6/2017	Damberg
2012/0024896	A1	2/2012	Scobey et al.	2017/0173781	A1	6/2017	Damberg
2012/0104012	A1	5/2012	Cowie et al.	2017/0215537	A1	8/2017	Yu
2012/0168444	A1	7/2012	Shitrit et al.	2017/0290400	A1	10/2017	Thomas
2012/0193353	A1	8/2012	Cronin et al.	2017/0347765	A1	12/2017	Jackson et al.
2012/0267208	A1	10/2012	D'Angelo	2018/0035775	A1	2/2018	Haimoff
2012/0273506	A1	11/2012	Adams et al.	2018/0078008	A1	3/2018	Sturm
2012/0286489	A1	11/2012	Bartholomew	2018/0087819	A1	3/2018	Triska et al.
2012/0312708	A1	12/2012	Roehm et al.	2018/0141718	A1	5/2018	Ahlstrom et al.
2013/0068579	A1	3/2013	Mathieu et al.	2018/0339820	A1	11/2018	Reinhart et al.
2013/0140120	A1	6/2013	Rasmussen	2018/0354687	A1	12/2018	Seiders et al.
2013/0168196	A1	7/2013	Stanley	2019/0008254	A1	1/2019	Newson
				2019/0092530	A1	3/2019	Seiders et al.
				2019/0170422	A1	6/2019	Dexter
				2019/0234671	A1	8/2019	Stanford et al.
				2019/0256119	A1	8/2019	Brilhante et al.

(56)

References Cited

U.S. PATENT DOCUMENTS

2019/0271433 A1 9/2019 Tonelli
 2020/0037719 A1 2/2020 Jaworski et al.
 2020/0039056 A1 2/2020 Damberg
 2020/0060400 A1 2/2020 Glaser
 2020/0061802 A1 2/2020 Samsel et al.
 2020/0062454 A1 2/2020 Duong et al.
 2020/0086905 A1 3/2020 Yao et al.

FOREIGN PATENT DOCUMENTS

BR 202015031355 U2 6/2017
 CA 60997 A 8/1898
 CA 72336 A 7/1901
 CA 72337 A 7/1901
 CA 72338 A 7/1901
 CA 73327 A 10/1901
 CA 77273 9/1902
 CA 81456 A 6/1903
 CA 152411 A 12/1913
 CA 175930 A 3/1917
 CA 175939 A 3/1917
 CA 2624994 A1 5/2000
 CA 89737 A 6/2000
 CA 2483772 A1 4/2005
 CA 2633223 A1 12/2009
 CA 2635328 A1 12/2009
 CA 2782668 A1 12/2013
 CH 365631 A 11/1962
 CN 2073459 U 3/1991
 CN 2132145 Y 5/1993
 CN 1112819 A 12/1995
 CN 2515999 Y 10/2002
 CN 2549792 Y 5/2003
 CN 1457237 A 11/2003
 CN 2664452 Y 12/2004
 CN 3498732 1/2006
 CN 3498735 1/2006
 CN 2813823 Y 9/2006
 CN 300690540 9/2007
 CN 300690541 9/2007
 CN 201076126 Y 6/2008
 CN 300854008 12/2008
 CN 300856959 12/2008
 CN 300918117 5/2009
 CN 301150817 3/2010
 CN 301189065 5/2010
 CN 201691232 U 1/2011
 CN 301548656 5/2011
 CN 301620134 7/2011
 CN 201919912 U 8/2011
 CN 201938601 U 8/2011
 CN 301711528 11/2011
 CN 301808188 1/2012
 CN 301950501 6/2012
 CN 102626271 A 8/2012
 CN 302115731 10/2012
 CN 102805467 A 12/2012
 CN 202722894 U 2/2013
 CN 102948946 A 3/2013
 CN 202760445 U 3/2013
 CN 302365993 3/2013
 CN 202874104 U 4/2013
 CN 302425923 5/2013
 CN 302448361 6/2013
 CN 203182247 U 9/2013
 CN 203283617 U 11/2013
 CN 302631183 11/2013
 CN 203439475 U 2/2014
 CN 302811286 5/2014
 CN 302868078 7/2014
 CN 203789329 U 8/2014
 CN 203814784 U 9/2014
 CN 204032607 U 12/2014
 CN 104433073 A 3/2015
 CN 204245396 U 4/2015

CN 303154464 4/2015
 CN 303186110 4/2015
 CN 303221245 5/2015
 CN 204409860 U 6/2015
 CN 303228513 6/2015
 CN 303228514 6/2015
 CN 303242426 6/2015
 CN 303251869 6/2015
 CN 303324038 8/2015
 CN 303333672 8/2015
 CN 201530103483 8/2015
 CN 303381343 9/2015
 CN 303390870 9/2015
 CN 303499903 12/2015
 CN 303546215 1/2016
 CN 201530438676 2/2016
 CN 201530438792 2/2016
 CN 303630971 4/2016
 CN 303680031 5/2016
 CN 303680054 5/2016
 CN 303687108 6/2016
 CN 303783877 8/2016
 CN 303799176 8/2016
 CN 201630123602 8/2016
 CN 303904119 11/2016
 CN 303918135 11/2016
 CN 205831341 U 12/2016
 CN 303982382 12/2016
 CN 303982387 12/2016
 CN 304000494 1/2017
 CN 304036742 2/2017
 CN 304036750 2/2017
 CN 304050612 2/2017
 CN 304068469 3/2017
 CN 304076890 3/2017
 CN 106551485 A 4/2017
 CN 304172638 6/2017
 CN 107125891 A 9/2017
 CN 107173938 A 9/2017
 CN 107307551 A 11/2017
 CN 107467837 A 12/2017
 CN 206702967 U 12/2017
 CN 304411334 12/2017
 CN 304411336 12/2017
 CN 304411337 12/2017
 CN 304411389 12/2017
 CN 304417314 12/2017
 CN 304423206 12/2017
 CN 304423258 12/2017
 CN 304423259 12/2017
 CN 304423260 12/2017
 CN 304423317 12/2017
 CN 206880270 U 1/2018
 CN 304461798 1/2018
 CN 107668874 A 2/2018
 CN 304532315 3/2018
 CN 304532317 3/2018
 CN 304532318 3/2018
 CN 304532319 3/2018
 CN 304539046 3/2018
 CN 304555895 3/2018
 CN 304562598 4/2018
 CN 304569073 4/2018
 CN 304569074 4/2018
 CN 304645055 5/2018
 CN 207428627 U 6/2018
 CN 304653754 6/2018
 CN 304660325 6/2018
 CN 304660327 6/2018
 CN 304660329 6/2018
 CN 304660332 6/2018
 CN 304692146 6/2018
 CN 304701684 6/2018
 CN 304749390 7/2018
 CN 304764980 8/2018
 CN 034823685 9/2018
 CN 108497660 A 9/2018
 CN 304823694 9/2018
 CN 108608804 A 10/2018

(56)

References Cited

FOREIGN PATENT DOCUMENTS			CN	305642418	3/2020
			DE	74708 C	4/1894
			DE	2020368 A1	11/1971
			DE	7502524 U	9/1975
			DE	2939826 A1	4/1980
			DE	3344410 A1	6/1985
			DE	8620597 U1	9/1986
			DE	9012845 U1	10/1990
			DE	4042245 A1	7/1991
			DE	9105033 U1	3/1992
			DE	9408707 U1	9/1995
			DE	29516306 U1	2/1997
			DE	29815666 U1	11/1998
			DE	19755532 A1	6/1999
			DE	20312950 U1	10/2003
			DE	20313077 U1	1/2004
			DE	202004007996 U1	7/2004
			DE	202004015475 U1	1/2005
			DE	202004016959 U1	2/2005
			DE	202005006105 U1	6/2005
			DE	202005014773 U1	11/2005
			DE	202006001888 U1	4/2006
			DE	402010002800-0008	6/2010
			DE	402010002800-0001	7/2010
			DE	402010002800-0002	7/2010
			DE	402010002800-0003	7/2010
			DE	402010002800-0004	7/2010
			DE	402010002800-0007	7/2010
			DE	402010002800-0009	7/2010
			DE	402010002800-0010	7/2010
			DE	402010002800-0011	7/2010
			DE	402010002800-0012	7/2010
			DE	202012006671 U1	8/2012
			DE	102012025617 A1	10/2013
			DE	102013004590 A1	9/2014
			DE	202016004315 U1	8/2016
			DE	202015106823 U1	3/2017
			DE	102017122609 A1	3/2019
			EM	001682428-0003	1/2004
			EM	000134804-0001	6/2004
			EM	001606468-0001	9/2009
			EM	001606468-0002	9/2009
			EM	001682428-0001	4/2010
			EM	001682428-0002	4/2010
			EM	001682428-0004	4/2010
			EM	001682428-0005	4/2010
			EM	001682428-0006	4/2010
			EM	001781865-0001	12/2010
			EM	001781865-0006	12/2010
			EM	001781865-0007	12/2010
			EM	001781865-0008	12/2010
			EM	001781899-0006	2/2011
			EM	001781899-0009	2/2011
			EM	002215897-0001	8/2013
			EM	002277574-0001	8/2013
			EM	002277574-0002	8/2013
			EM	002325209-0001	11/2013
			EM	002325209-0002	11/2013
			EM	002569467-0001	11/2014
			EM	002569467-0002	11/2014
			EM	002569467-0003	11/2014
			EM	002569467-0004	11/2014
			EM	002576728-0013	11/2014
			EM	002646935-0001	3/2015
			EM	002978569-0001	2/2016
			EM	003261668-0002	7/2016
			EM	003743905-0006	2/2017
			EM	00410048-0002	9/2017
			EM	004100048-0001	9/2017
			EM	004385409-0001	10/2017
			EM	004168789-0001	11/2017
			EM	004662039-0002	3/2018
			EM	004662039-0003	3/2018
			EM	005609583-0001	8/2018
			EM	005625977-0006	9/2018
			EM	005500311-0002	10/2018
			EM	005500311-0003	10/2018
			EM	005804747-0001	10/2018
			EM	005804762-0001	10/2018
CN	207949211 U	10/2018			
CN	304836888	10/2018			
CN	304854893	10/2018			
CN	304862165	10/2018			
CN	304862166	10/2018			
CN	108741519 A	11/2018			
CN	108783799 A	11/2018			
CN	108835813 A	11/2018			
CN	108835814 A	11/2018			
CN	304877452	11/2018			
CN	304900938	11/2018			
CN	108945792 A	12/2018			
CN	109043770 A	12/2018			
CN	208192442 U	12/2018			
CN	208192487 U	12/2018			
CN	304995265	1/2019			
CN	305641119	1/2019			
CN	109303399 A	2/2019			
CN	305019548	2/2019			
CN	109431028 A	3/2019			
CN	109497673 A	3/2019			
CN	208581902 U	3/2019			
CN	305050777	3/2019			
CN	305078423	3/2019			
CN	305078424	3/2019			
CN	305111950	4/2019			
CN	305181544	5/2019			
CN	305184268	5/2019			
CN	305242413	7/2019			
CN	305283238	8/2019			
CN	209403814 U	9/2019			
CN	305347993	9/2019			
CN	305359134	9/2019			
CN	305359135	9/2019			
CN	209528183 U	10/2019			
CN	305398498	10/2019			
CN	209563672 U	11/2019			
CN	209628893 U	11/2019			
CN	305424085	11/2019			
CN	305424089	11/2019			
CN	305437133	11/2019			
CN	305437134	11/2019			
CN	305437137	11/2019			
CN	110605939 A	12/2019			
CN	209719155 U	12/2019			
CN	209719159 U	12/2019			
CN	209732871 U	12/2019			
CN	209788810 U	12/2019			
CN	305476163	12/2019			
CN	305488622	12/2019			
CN	305499080	12/2019			
CN	305518862	12/2019			
CN	209931762 U	1/2020			
CN	209965461 U	1/2020			
CN	305527333	1/2020			
CN	305533439	1/2020			
CN	305533533	1/2020			
CN	305533534	1/2020			
CN	305533538	1/2020			
CN	305533539	1/2020			
CN	305540311	1/2020			
CN	305547763	1/2020			
CN	305547764	1/2020			
CN	305547961	1/2020			
CN	305577923	1/2020			
CN	305577960	1/2020			
CN	210076793 U	2/2020			
CN	210114130 U	2/2020			
CN	305584095	2/2020			
CN	305584098	2/2020			
CN	305605578	2/2020			
CN	305614805	2/2020			
CN	305635594	3/2020			
CN	305642338	3/2020			
CN	305642339	3/2020			

(56)

References Cited

FOREIGN PATENT DOCUMENTS					
EM	005804770-0001	10/2018	IL	55179	A 7/1981
EM	005805140-0001	10/2018	IN	266778	5/2015
EM	005805199-0001	10/2018	IN	266779-0001	5/2015
EM	006453072-0001	5/2019	IN	276720	2/2016
EM	006618583-0001	10/2019	IN	205521292	U 8/2016
EM	006618583-0002	10/2019	JE	102013114520	A1 6/2015
EM	006618583-0003	10/2019	JP	S57-150175	U 9/1982
EM	006618583-0004	10/2019	JP	S60-164570	A 8/1985
EM	007064233-0002	11/2019	JP	H03-066374	U 6/1991
EM	007145461-0012	11/2019	JP	H0574275	A 3/1993
EM	007449095-0001	1/2020	JP	H07-102842	A 4/1995
EM	007576806-0001	2/2020	JP	H08-093298	A 4/1996
EM	007719141-0001	3/2020	JP	2569734	B2 1/1997
EP	0069419 A1	1/1983	JP	2976179	B2 11/1999
EP	0530067 A1	3/1993	JP	2001-107621	A 4/2001
EP	0587451 A1	3/1994	JP	3177720	B2 6/2001
EP	0221215 B1	6/1995	JP	3197227	B2 8/2001
EP	0670791 A1	9/1995	JP	2001-262907	A 9/2001
EP	1000865 A1	5/2000	JP	3211023	B2 9/2001
EP	1059239 A1	12/2000	JP	D1121506	9/2001
EP	1080656 A1	3/2001	JP	3225244	B2 11/2001
EP	1442845 A1	8/2004	JP	D2001-10753	6/2002
EP	1475008 A1	11/2004	JP	D1193948	1/2004
EP	1880948 A2	1/2008	JP	2006122067	A 5/2006
EP	1921009 A1	5/2008	JP	D1312168	10/2007
EP	2024218 A2	2/2009	JP	D2007-16058	5/2008
EP	2107982 A1	10/2009	JP	D2007-16059	5/2008
EP	2236428 A1	10/2010	JP	D1338388	8/2008
EP	2330939 A1	6/2011	JP	D1382214	3/2010
EP	2344000 A1	7/2011	JP	D1382215	3/2010
EP	2387906 A1	11/2011	JP	D1397219	9/2010
EP	2412493 A2	2/2012	JP	D1397346	9/2010
EP	2441340 A1	4/2012	JP	D1408819	3/2011
EP	2522248 A1	11/2012	JP	D1408988	3/2011
EP	2543481 A1	1/2013	JP	2014184051	A 10/2014
EP	2745727 A2	6/2014	JP	6206200	B2 10/2017
EP	2826394 A1	1/2015	JP	6226662	B2 11/2017
EP	2829484 A1	1/2015	JP	2019119506	A 7/2019
EP	2829485 A1	1/2015	KR	100395931	B1 8/2003
EP	2904926 A1	8/2015	KR	3020030024985	9/2003
EP	3013176 A1	5/2016	KR	200362331	Y1 9/2004
EP	3027078 A1	6/2016	KR	20070101643	A 10/2007
EP	3073852 A1	10/2016	KR	20070103598	A 10/2007
EP	3216363 A1	9/2017	KR	3020070008850	12/2007
EP	3351130 A1	7/2018	KR	300492699.0000	5/2008
EP	3403521 A1	11/2018	KR	20090074289	A 7/2009
EP	3581059 A1	12/2019	KR	100921297	B1 10/2009
FR	2179844 A1	11/1973	KR	101267451	B1 5/2013
FR	2223248 A1	10/1974	KR	300740505.0000	4/2014
FR	2638950 A1	5/1990	KR	300887228.0000	12/2016
FR	2689100 A1	10/1993	KR	300908948.0000	6/2017
FR	2711044 A1	4/1995	KR	300908949.0000	6/2017
FR	2712257 A1	5/1995	KR	300915252.0000	7/2017
FR	2809690 A1	12/2001	KR	20180037090	A 4/2018
FR	2870692 A1	12/2005	KR	300968949.0000	8/2018
FR	2912997 A1	8/2008	KR	300982867.0000	11/2018
GB	854540 A	11/1960	KR	300983257.0000	12/2018
GB	1041392 A	9/1966	KR	300990253.0000	1/2019
GB	2023550 A	1/1980	KR	3009902440000	1/2019
GB	2023551 A	1/1980	KR	300996066.0000	3/2019
GB	2032814 A	5/1980	KR	102054504	B1 12/2019
GB	2047073 A	11/1980	KR	301037245.0000	12/2019
GB	2023549 A	9/1992	KR	301037251.0000	12/2019
GB	2278874 A	12/1994	KR	301050842.0000	3/2020
GB	2291042 A	1/1996	NL	7504291	A 10/1975
GB	2045135 A	2/1996	NL	8903105	A 7/1991
GB	2308803 A	7/1997	NL	1032860	C1 11/2006
GB	2289713 B	12/1997	NO	2015040526	3/2015
GB	2421713 A	7/2006	RU	00100422	U1 12/2010
GB	2438189 A	11/2007	TR	201708307-0001	2/2018
GB	2459111 A	10/2009	TW	M310869	U 5/2007
GB	4036176	7/2014	WO	9400034	A1 1/1994
GB	4037039	10/2014	WO	D032061-005	4/1995
GB	2575671 A	1/2020	WO	D035637-003	2/1996
ID	D0000002662-0001	1/2003	WO	D036648-008	6/1996
			WO	9631140	A1 10/1996
			WO	9748613	A1 12/1997
			WO	0041937	A1 7/2000
			WO	0168477	A1 9/2001

(56)

References Cited

FOREIGN PATENT DOCUMENTS

WO	02064445	A1	8/2002
WO	03041529	A1	5/2003
WO	04076291	A2	9/2004
WO	06037302	A1	4/2006
WO	08001029	A1	1/2008
WO	2008034603	A1	3/2008
WO	09028960	A1	3/2009
WO	1135559	A1	3/2011
WO	11135559	A1	11/2011
WO	12000497	A1	1/2012
WO	2012029119	A1	3/2012
WO	D078390-004		11/2012
WO	13014670	A1	1/2013
WO	D080557-001		4/2013
WO	2013126851	A1	8/2013
WO	14131214	A1	9/2014
WO	14193073	A1	12/2014
WO	15087357	A1	6/2015
WO	16072912	A1	5/2016
WO	16091570	A1	6/2016
WO	17088278	A1	6/2017
WO	17091899	A1	6/2017
WO	17192694	A1	11/2017
WO	2018012675	A1	1/2018
WO	18169478	A1	9/2018
WO	2019238228	A1	12/2019
WO	2020030766	A1	2/2020

OTHER PUBLICATIONS

Pelican Storm Waterproof Case, available Jul. 27, 2009, [online], [site visited Mar. 31, 2018]. Available from internet, <URL: https://www.amazon.com/dp/B002JB07D8?aaixtk=EqSpVoa9QpKAGqst7rmxMA&pd_rd_i=B002JB07D8&pf_rd_m=ATVPDKIKX0DER&pf (Year: 2009).

Outdoor Products Small Watertight Dry Box, Blue, available May 31, 2016, [online], [site visited Mar. 31, 2018]. Available from internet, <URL: <https://www.walmart.com/ip/Outdoor-Products-Small-Watertight-Dry-Box-Blue/26674162> (Year: 2016).

Sep. 20, 2018—(WO) International Search Report and Written Opinion—App. PCT/US2018/037100.

yeti.com, Images of Loadout Bucket Web Page visited on Mar. 17, 2020, at https://www.yeti.com/en_US/buckets/loadout-5-gallon-bucket/YLOB5.html?dwvar_YLOB5_color=white&cgid=buckets#start=1 <https://www.yeti.com/en_US/buckets/loadout-5-gallon-bucket/YLOB5.html?dwvar_YLOB5_color=white&cgid=buckets>.

amazon.com, “Top Shelf Custom Injection Molded ABS Saddlebag Organizer Tray, 2014—Current H-D ABS Hard Bags, LFT by Advanced Accessory Concepts LLC,” visited Oct. 16, 2019 and revisited Jan. 6, 2020 at https://www.amazon.com/Custom-Injection-Molded-Saddlebag-Organizer/dp/B01MQWBM40/ref=sr_1_38?keywords=luggage+hard+removable+liner&qid=1571270714&sr=8-38.

amazon.com, “Pelican Air 1615 Travel Case—Suitcase Luggage (Blue) by Pelican,” visited Oct. 16, 2019 and revisited Jan. 6, 2020 at https://www.amazon.com/Pelican-Air-1615-Travel-Case/dp/B07XGHDK66?ref_=ast_sto_dp.

amazon.com, “Pelican 015100-0050-110 Protector Carry-On Case Black w/TrekPak Insert Camera & Photo,” visited Oct. 16, 2019 and revisited Jan. 6, 2020 at [Carry-TrekPak-Divider/dp/B01E4E1BFK/ref=sr_1_48?crid=3CJLVWN9DJ62R&keywords=carry+on+organizer+insert&qid=1571270299&sprefix=carry+on+organizer%2Caps%2C143&sr=8-48.

amazon.com, “Samsonite F’Lite GT 31” Hardside Wheeled Luggage \(Vivid Blue\),” visited Dec. 16, 2019 and revisited Jan. 7, 2020 at <<https://www.amazon.com/Samsonite-Flite-Spinner-Black-Size/dp/B01LTG2XVC?th=1>> Samsonite F’Lite GT 31” Hardside Wheeled Luggage \(Vivid Blue\).

alibaba.com, “Removable Spinner Wheels for Suitcase Replacement Suitcase Luggage,” visited Dec. 16, 2019 and revisited Jan. 7, 2020 at \[https://www.alibaba.com/product-detail/Removable-Spinner-Wheels-For-Suitcase-Replacement_605641600\]\(https://www.alibaba.com/product-detail/Removable-Spinner-Wheels-For-Suitcase-Replacement_605641600\).

amazon.com, “Lockable Tackle Box Fishing Waterproof Fly Fishing Box Double Sided Ice Fishing Tackle Case Box Storage Waterproof: 360 Degree Rubber Gasket, Durable Plastic Construction Double Sided Triangle-Cut For,” visited Dec. 16, 2019 and revisited Jan. 7, 2020 at <<https://www.amazon.com/Lockable-Tackle-Fishing-Waterproof-Storage/dp/B07MFF6S6N>>.

yankodesign.com, “Vacuum Packed Suitcase,” visited Dec. 16, 2019 and revisited Jan. 7, 2020 at <<https://www.yankodesign.com/2011/11/28/vacuum-packed-suitcase/>>.

alibaba.com, “Portable Luggage Wheels for Luggage Trolley Bags & Suitcase,” visited Dec. 16, 2019 and revisited Jan. 7, 2020 at \[https://www.alibaba.com/product-detail/Portable-Luggage-Wheels-for-luggage-Trolley_1854722793.html\]\(https://www.alibaba.com/product-detail/Portable-Luggage-Wheels-for-luggage-Trolley_1854722793.html\).

northerntool.com, “DEWALT 28in. Wheeled Toolbox, Model# DWST28100,” visited on Apr. 6, 2020 at \[https://www.northerntool.com/shop/tools/product_200726534_200726534\]\(https://www.northerntool.com/shop/tools/product_200726534_200726534\).

walmart.com, “Sterilite 151L Black Wheeled Industrial Tote,” visited on Apr. 6, 2020 at <https://www.walmart.ca/en/ip/sterilite-151l-black-wheeled-industrial-tote/6000195957310>.

globalindustrial.com, “Contico UK3725-4 Rolling Pro Tuff Work Box,” visited on Apr. 6, 2020 at <https://www.globalindustrial.com/p/tools/tool-storage/Jo-Site/rolling-pro-tuff-work-box?infoParam.campaignId=T9F>.

amazon.com, “Grey: Akro-Mils 33105 Akro-Grid Slotted Divider Plastic Tote Box,” visited on Apr. 6, 2020 at <https://www.amazon.in/Grey-Akro-Mils-Akro-Grid-Slotted-Divider/dp/B004C044VU>.

globalindustrial.com, “Global Industrial™ Plastic Dividable Grid Container,” visited on Apr. 6, 2020 at <https://www.globalindustrial.com/p/storage/bins-totes-containers/dividable-grid/grid-wall-bin-stackable-1>.

globalindustrial.com, “Straight Wall Container Solid,” visited on Apr. 6, 2020 at <https://www.globalindustrial.com/p/storage/bins-totes-containers/stacking-containers/straight-wall-container-12x7-2-5x5>.

Lowe’s, “Craftsman 37-in Black Plastic Wheels Lockable Tool Box,” <https://www.lowes.com/pd/CRAFTSMAN-37-in-Black-Plastic-Wheeled-Lockable-Tool-Box/1000578337>.

Home Depot, “Husky 37 in. Rolling Tool Box Utility Cart Black,” <<https://www.homedepot.com/p/Husky-37-in-Rolling-Tool-Box-Utility-Cart-Black-209261/203668066>>.

B&H, “Nanuk 960 Protective Rolling Case with Dividers and Organizer \(Black\),” \[https://www.bhphotovideo.com/c/product/1504703-REG/nanuk_960_6001_960_waterproof_hard_case.html\]\(https://www.bhphotovideo.com/c/product/1504703-REG/nanuk_960_6001_960_waterproof_hard_case.html\).

Toolguyd, “Milwaukee Packout Tool Boxes and Storage System, in Photos,” <https://toolguyd.com/milwaukee-packout-tool-boxes-photo-introduction/>.

May 12, 2020—\(WO\) Partial International Search—PCT/US2020/012404.](https://www.amazon.com/Pelican-1510TP-</p>
</div>
<div data-bbox=)

* cited by examiner

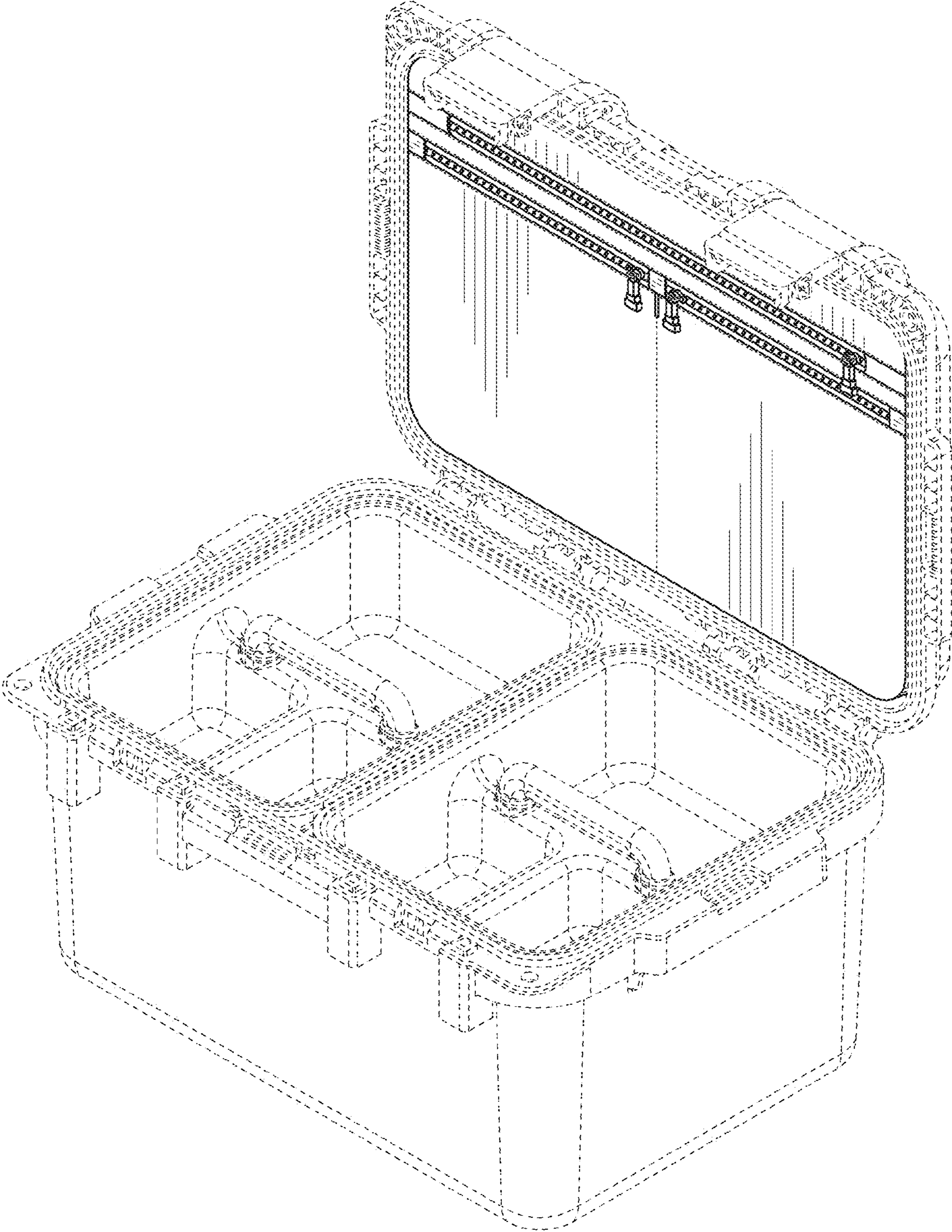


FIG. 1

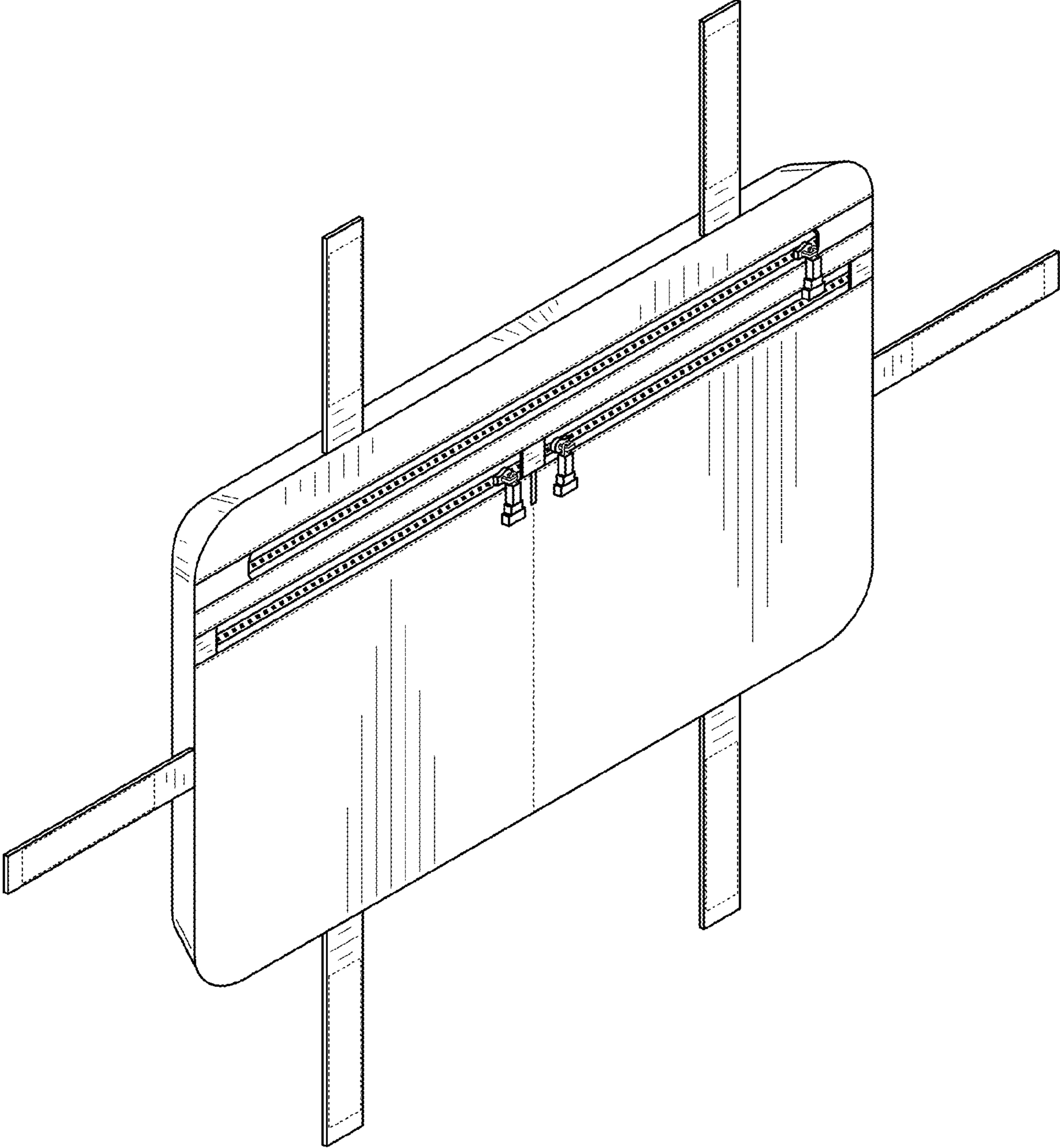


FIG. 2

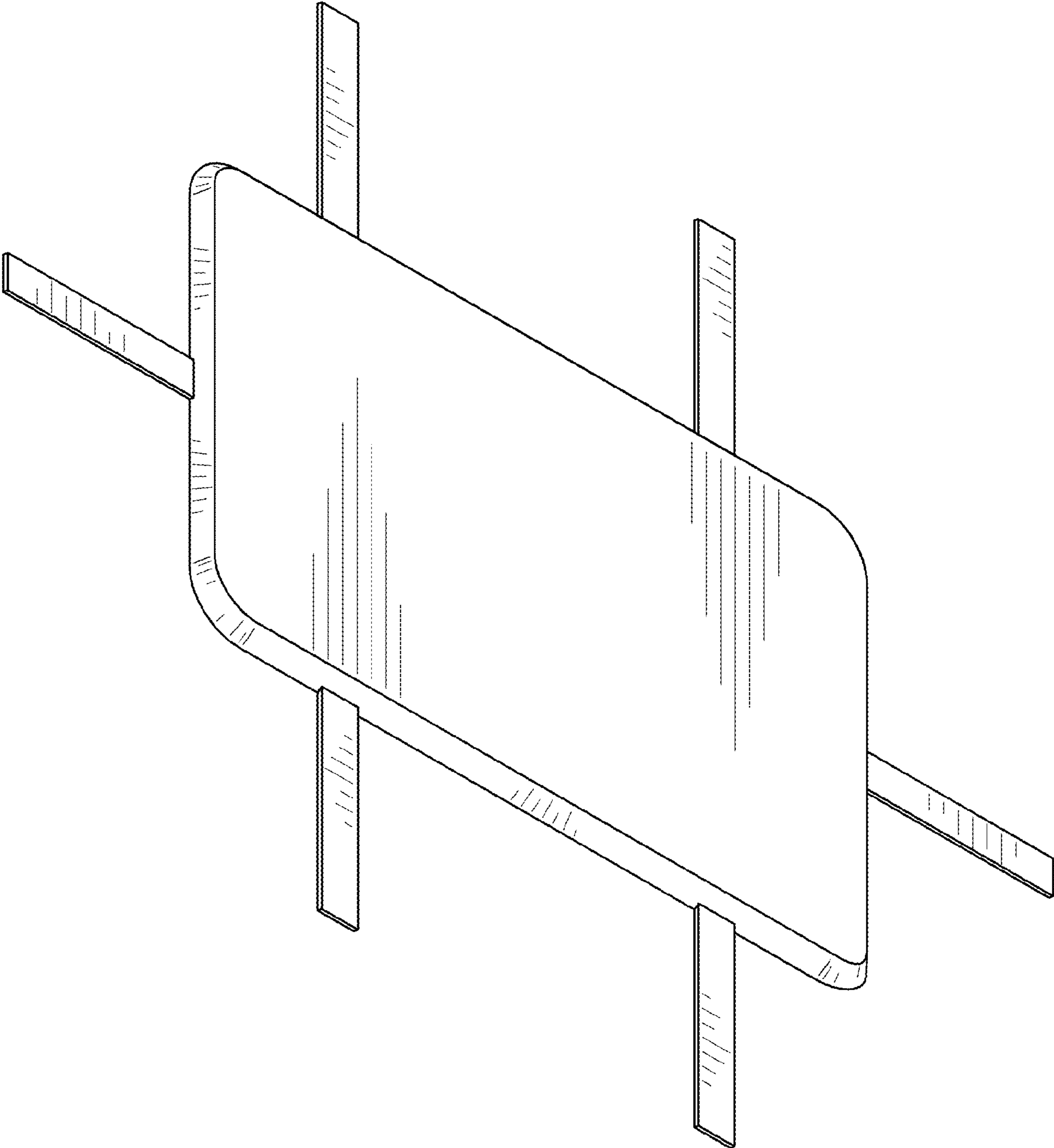


FIG. 3

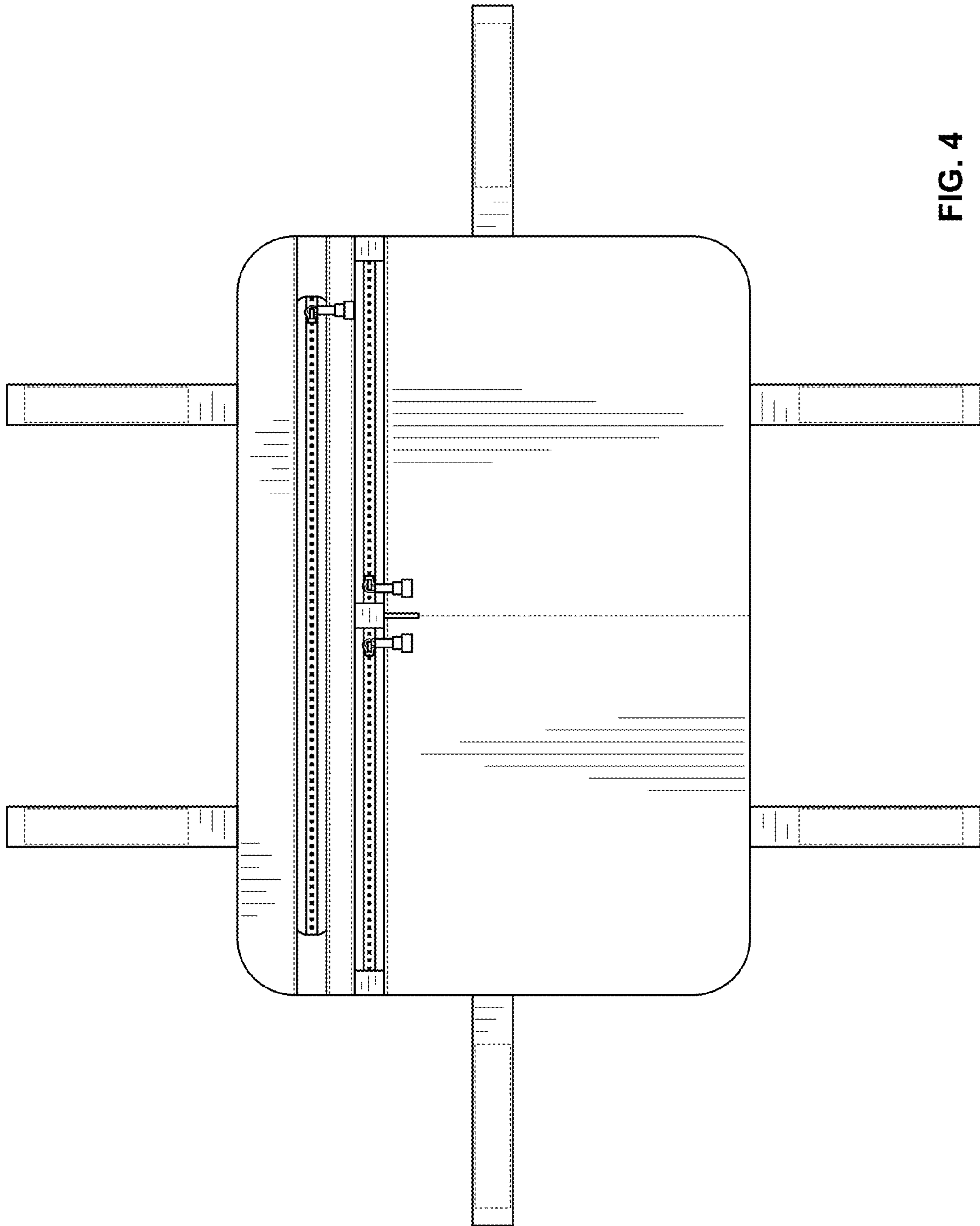


FIG. 4

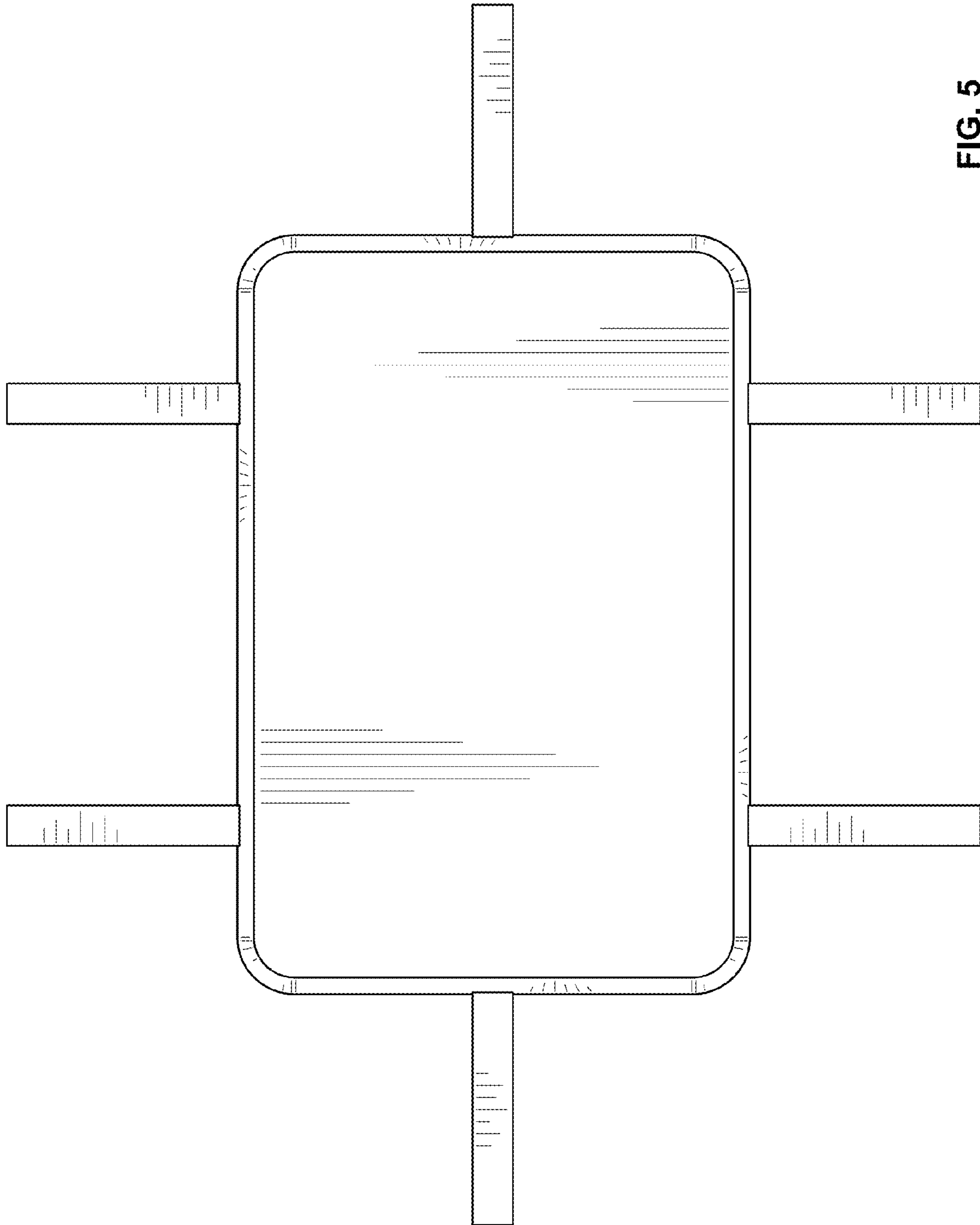


FIG. 5

FIG. 6

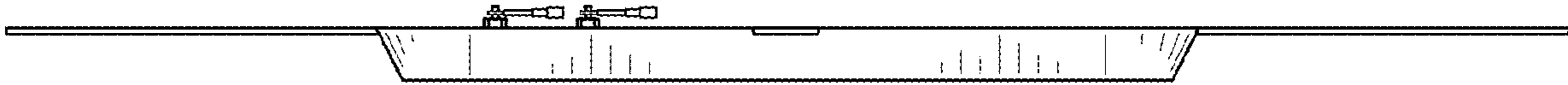


FIG. 7



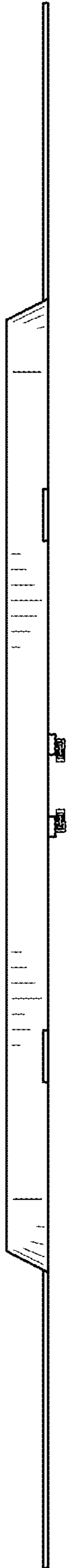


FIG. 8

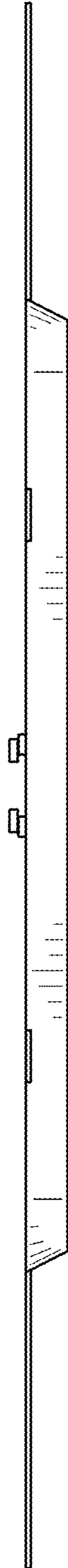


FIG. 9

UNITED STATES PATENT AND TRADEMARK OFFICE
CERTIFICATE OF CORRECTION

PATENT NO. : D925,299 S
APPLICATION NO. : 29/760873
DATED : July 20, 2021
INVENTOR(S) : Nichols et al.

Page 1 of 1

It is certified that error appears in the above-identified patent and that said Letters Patent is hereby corrected as shown below:

On the Title Page

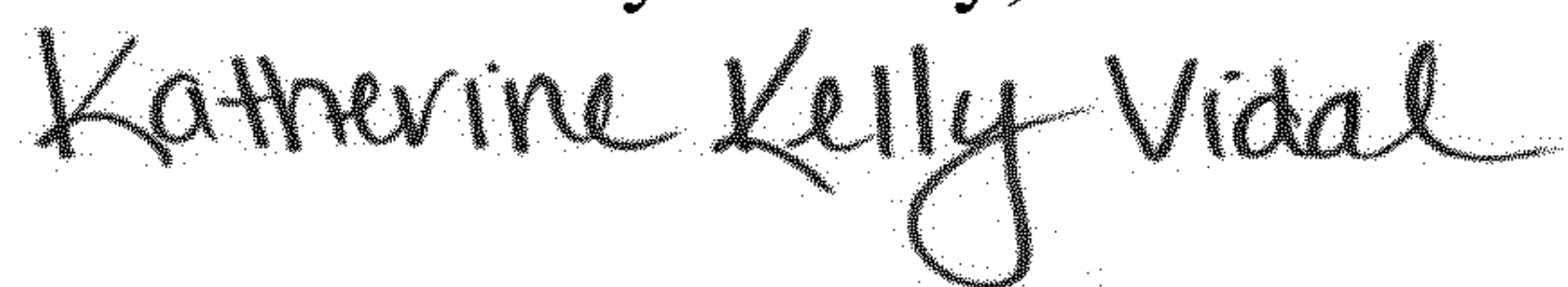
Page 9, Column 2, item [56], Foreign Patent Documents, Line 64:

After "4/2018", insert --¶CN 108078109 A 5/2018--

Page 10, Column 2, item [56], Foreign Patent Documents, Line 68:

Delete "00410048-0002" and insert --004100048-0002--

Signed and Sealed this
Third Day of May, 2022



Katherine Kelly Vidal
Director of the United States Patent and Trademark Office