



US00D925295S

(12) **United States Design Patent** (10) **Patent No.:** **US D925,295 S**
Bullock et al. (45) **Date of Patent:** **** Jul. 20, 2021**

(54) **CONTAINER**

(56)

References Cited

(71) Applicant: **YETI Coolers, LLC**, Austin, TX (US)

U.S. PATENT DOCUMENTS

(72) Inventors: **Dustin Bullock**, Austin, TX (US); **John Loudenslager**, Austin, TX (US); **John Fritz**, Austin, TX (US); **Michael Christopher Cieszko**, Austin, TX (US); **Andrew J. Winterhalter**, Austin, TX (US)

1,004,688 A	10/1911	Hunt	
2,555,126 A	5/1951	Greve	
2,652,698 A	9/1953	Schlumbohm	
2,706,895 A	4/1955	Thompson et al.	
2,803,368 A	8/1957	Koch	
2,850,885 A	9/1958	Mohr et al.	
2,856,092 A	10/1958	Knapp	
3,035,733 A	5/1962	Knapp	
3,414,160 A	12/1968	Weber	
4,143,695 A	3/1979	Hoehn	
4,162,029 A	7/1979	Gottsegen et al.	
4,351,165 A	9/1982	Gottsegen et al.	
4,368,819 A	1/1983	Durham	
4,459,827 A	7/1984	Rhodes	
4,484,682 A	11/1984	Crow	
4,537,044 A	8/1985	Putnam	
4,592,482 A	6/1986	Seager	
4,623,076 A	11/1986	Karpal	
4,648,512 A	3/1987	Tarozzi et al.	
4,802,344 A	2/1989	Livingston et al.	
4,846,493 A	7/1989	Mason	
4,858,444 A	8/1989	Scott	
4,873,841 A	10/1989	Bradshaw et al.	
4,939,912 A	7/1990	Leonovich, Jr.	
D311,476 S	* 10/1990	Kumakura	D7/605
4,988,216 A	1/1991	Lyman	
5,007,250 A	4/1991	Musielak	
5,024,359 A	6/1991	Thomas	
5,044,513 A	9/1991	Van Berne	
5,050,767 A	9/1991	Peer	
D324,165 S	2/1992	Bressler et al.	
5,095,718 A	3/1992	Ormond et al.	
5,169,018 A	12/1992	Fiore	
5,184,477 A	2/1993	Brown et al.	
D333,775 S	3/1993	Krape	
5,213,381 A	5/1993	Anderson	
5,249,438 A	10/1993	Rhaney et al.	
5,251,460 A	10/1993	DeMarco et al.	
5,251,542 A	10/1993	Itoh et al.	
5,259,215 A	11/1993	Rocca	
5,284,294 A	2/1994	Floyd	
5,295,365 A	3/1994	Redford	
5,313,817 A	5/1994	Meinders	
5,319,937 A	6/1994	Fritsch et al.	
5,329,787 A	7/1994	Friday	
5,350,081 A	9/1994	Graham	
5,363,977 A	11/1994	Hoff	
5,373,708 A	12/1994	Dumoulin, Jr.	
5,400,610 A	3/1995	Macedo	

(73) Assignee: **YETI Coolers, LLC**, Austin, TX (US)

(**) Term: **15 Years**

(21) Appl. No.: **29/756,154**

(22) Filed: **Oct. 26, 2020**

Related U.S. Application Data

(63) Continuation of application No. 29/718,932, filed on Dec. 30, 2019, now Pat. No. Des. 899,869, which is a continuation of application No. 16/218,089, filed on Dec. 12, 2018, now Pat. No. 10,766,672.

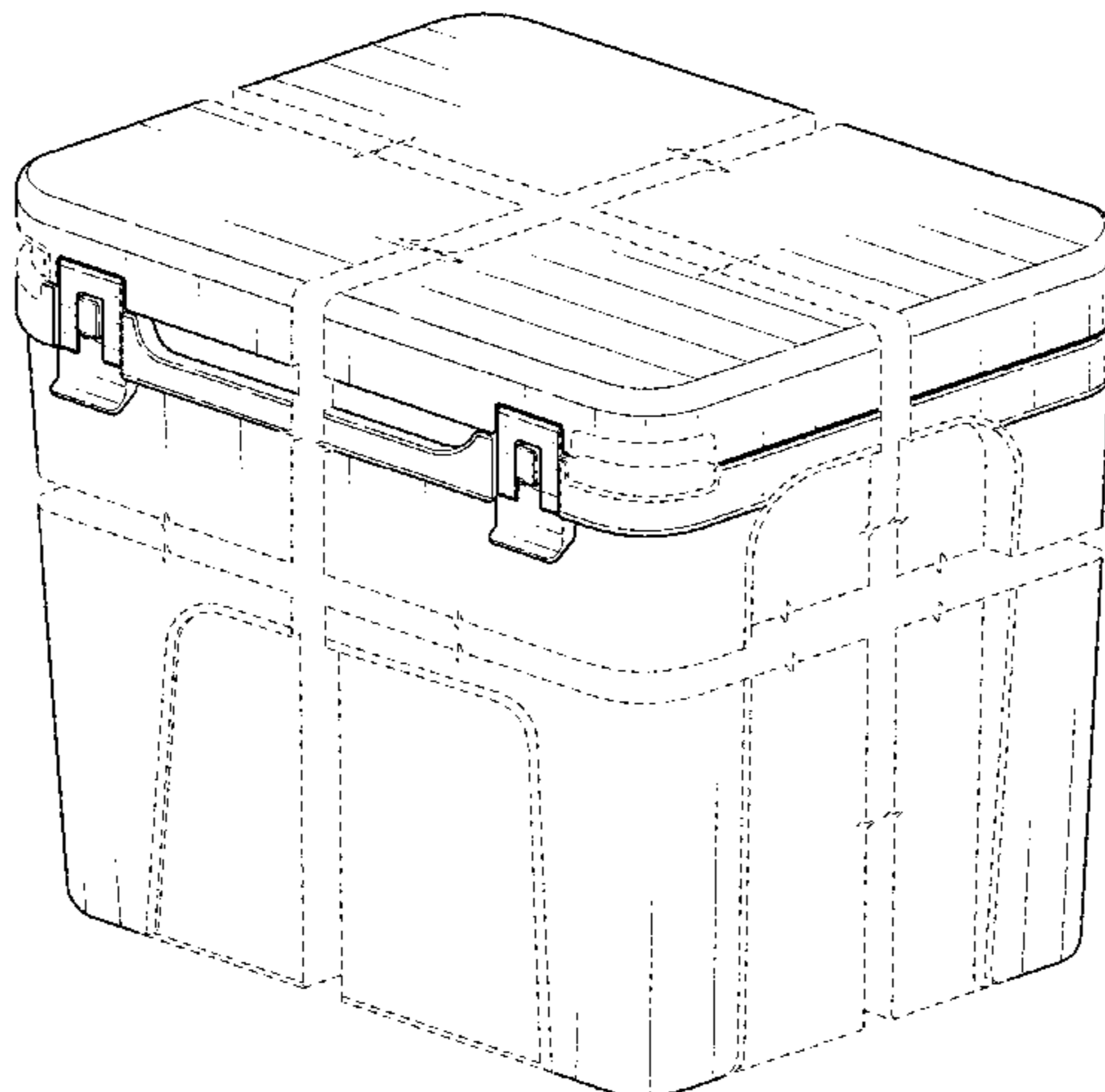
(51) **LOC (13) Cl.** **07-01**

(52) **U.S. Cl.**
USPC **D7/605**

(58) **Field of Classification Search**

USPC D7/605-607, 709, 710, 629; D3/272-274
CPC F25D 3/08; F25D 3/02; F25D 3/04; F25D 3/06; F25D 3/14; F25D 3/107; F25D 2331/804; F25D 2331/801; B65D 81/38; B65D 81/3813; B65D 81/3816; B65D 81/3818; B65D 81/382; B65D 81/3823; B65D 81/3825; B65D 81/3827; B65D 81/383; B65D 81/3832; B65D 81/3834; B65D 81/3848; B65D 81/3851; B65D 81/3853; B65D 81/3855; B65D 81/3858; B65D 81/386; B65D 81/3862; A45C 11/20; A45C 3/00; A45C 2003/008

See application file for complete search history.



US D925,295 S

5,403,095 A	4/1995	Melk	8,152,367 B2	4/2012	Roberts et al.
5,423,426 A	6/1995	Harper	8,176,749 B2	5/2012	LaMere et al.
5,447,041 A	9/1995	Piechota	8,191,747 B2	6/2012	Pruchnicki
5,460,285 A	10/1995	Harding, Sr.	8,215,518 B2	7/2012	Hyde et al.
5,562,228 A	10/1996	Ericson	8,251,245 B2	8/2012	DiPietro et al.
5,626,373 A	5/1997	Chambers et al.	8,256,156 B1	9/2012	Burgoyne, Jr.
5,738,238 A	4/1998	Yang	8,297,464 B2	10/2012	Grenier et al.
5,740,940 A	4/1998	Weiss	8,308,008 B2	11/2012	Perry et al.
5,845,515 A	12/1998	Nelson	8,353,418 B2	1/2013	Bark
5,860,281 A	1/1999	Coffee et al.	8,430,284 B2	4/2013	Broadbent et al.
5,865,037 A	2/1999	Bostic	8,544,648 B2 *	10/2013	Cleveland B65D 81/3823 206/508
5,913,448 A	6/1999	Mann et al.			
5,944,205 A	8/1999	Lajoie et al.	8,544,670 B2	10/2013	Brilmyer
5,971,218 A	10/1999	Le	8,562,520 B2	10/2013	Rockrohr
6,067,813 A	5/2000	Smith	8,573,002 B2	11/2013	Ledoux et al.
D427,885 S	7/2000	Ayrest	8,590,724 B2	11/2013	Kreidler et al.
6,092,661 A	7/2000	Mogil	8,596,485 B2	12/2013	Lindsay
6,158,745 A	12/2000	Deighton	8,622,235 B2	1/2014	Suchecky
6,176,499 B1	1/2001	Conrado et al.	8,622,279 B2	1/2014	Bamett
6,192,703 B1	2/2001	Salyer et al.	8,678,024 B2	3/2014	Freiler
6,193,097 B1	2/2001	Martin Perianes et al.	8,701,928 B2	4/2014	Samson
6,199,570 B1	3/2001	Patarra	D707,100 S	6/2014	Kinskey et al.
6,244,066 B1	6/2001	LaRose	8,740,010 B1	6/2014	Page
6,244,458 B1	6/2001	Frysiner et al.	8,746,498 B2	6/2014	Maldonado et al.
6,296,134 B1	10/2001	Cardinale	8,794,469 B2	8/2014	Bratsch
6,296,165 B1	10/2001	Mears	8,887,515 B2	11/2014	Patstone
6,305,547 B1	10/2001	Curran	D721,569 S	1/2015	Ziegler
6,336,577 B1	1/2002	Harris et al.	8,939,315 B2	1/2015	Pillow et al.
6,398,272 B1	6/2002	Plummer et al.	8,944,476 B1	2/2015	Henderson
6,409,066 B1	6/2002	Schneider et al.	8,967,419 B2	3/2015	Gerber et al.
6,427,886 B1	8/2002	Essex	8,979,073 B2	3/2015	Lykins et al.
6,457,750 B1	10/2002	Sokurenko et al.	8,979,144 B2	3/2015	Paugh et al.
6,484,880 B1	11/2002	Shaeffer	9,027,722 B1	5/2015	Parker
6,622,881 B2	9/2003	Hardigg	9,052,025 B2	6/2015	Zinn et al.
D482,241 S	11/2003	Tyler	9,091,477 B2	7/2015	Magnus
6,698,608 B2	3/2004	Parker et al.	D739,302 S	9/2015	Nilsen et al.
D489,595 S	5/2004	Gleichauf et al.	9,126,747 B2	9/2015	Burgess et al.
6,736,309 B1	5/2004	Westerman et al.	9,132,598 B2	9/2015	Ernst
6,739,150 B2	5/2004	Mompo Garcia	9,139,352 B2	9/2015	Seiders et al.
D491,440 S	6/2004	Pfeiffer et al.	9,140,476 B2	9/2015	Eckhoff et al.
D492,184 S	6/2004	Parker et al.	9,163,871 B1	10/2015	Costello
6,789,692 B2	9/2004	Prezelin	D744,810 S	12/2015	Pittman
6,789,693 B2	9/2004	Lassiter	9,199,782 B1	12/2015	Cliatt
6,955,381 B2	10/2005	Parker et al.	D747,950 S	1/2016	Jacobsen et al.
6,976,370 B2	12/2005	Fiene	D747,951 S	1/2016	Jacobsen et al.
6,993,931 B1	2/2006	Hamilton	D748,452 S	2/2016	Jacobsen et al.
7,013,671 B1	3/2006	Bolda	9,260,129 B2	2/2016	Thompson
7,066,347 B2	6/2006	Slovak et al.	9,265,318 B1	2/2016	Williams et al.
D528,368 S *	9/2006	Maldonado D7/605	D750,953 S	3/2016	Jacobsen et al.
7,128,369 B2	10/2006	Boggs et al.	9,271,553 B2	3/2016	Ponx
7,147,125 B1	12/2006	Slovak et al.	9,271,595 B2	3/2016	Lee
7,243,676 B2	7/2007	Bailey	9,278,704 B2	3/2016	Cates
D548,565 S	8/2007	Vickers	9,282,797 B1	3/2016	Soto
7,313,927 B2	1/2008	Barker	9,296,543 B2	3/2016	Wooldridge et al.
7,328,818 B2	2/2008	Prabucki	9,310,118 B2	4/2016	Zavitsanos
7,344,028 B2	3/2008	Hanson	9,320,938 B1	4/2016	Belmore
7,357,709 B2	4/2008	Zukor et al.	9,341,003 B2	5/2016	Ely et al.
7,360,784 B2	4/2008	Stewart et al.	9,341,275 B2	5/2016	Peck et al.
7,389,608 B1	6/2008	MacKay	D759,590 S	6/2016	Wang
7,412,846 B2	8/2008	Sekiya et al.	9,389,010 B1	7/2016	Booker, Sr.
7,461,871 B2	12/2008	Vauchel	9,414,893 B2	8/2016	Jacobson
7,540,364 B2	6/2009	Sanderson	9,415,787 B2	8/2016	Mericle
D598,194 S	8/2009	Turvey et al.	9,462,796 B1	10/2016	Ellis et al.
7,597,478 B2	10/2009	Pruchnicki et al.	9,550,508 B1	1/2017	Parra
D603,684 S	11/2009	Martis et al.	9,572,410 B2	2/2017	Fiedler
7,621,417 B2	11/2009	Peterson et al.	9,578,938 B1	2/2017	Vemeuille
7,658,213 B1	2/2010	Anderson et al.	9,616,910 B2	4/2017	Chaloux et al.
7,677,406 B2	3/2010	Maxson	9,648,990 B1	5/2017	Corney
7,677,580 B2	3/2010	Vanderberg et al.	9,668,510 B2	6/2017	Doman
7,726,880 B2	6/2010	Zimmerman et al.	9,669,986 B1	6/2017	Evans
7,735,334 B2	6/2010	Johnson	9,676,522 B1	6/2017	Stovall
7,806,271 B1	10/2010	Kraska	9,718,070 B2	8/2017	Arminak et al.
7,837,053 B2	11/2010	Arnett et al.	9,726,415 B1	8/2017	Spalti
7,841,635 B2	11/2010	Fuchs	9,738,296 B2	8/2017	McBeth
7,874,743 B2	1/2011	Berkey et al.	9,809,357 B2	11/2017	Arnold et al.
7,905,243 B2	3/2011	Minard et al.	9,849,901 B2	12/2017	Jackman
8,016,153 B2	9/2011	Boenig et al.	9,857,119 B2	1/2018	Keenan
8,052,004 B2	11/2011	Cheng et al.	9,878,841 B2	1/2018	Holderness et al.
8,123,236 B1	2/2012	Helenihi	9,888,977 B2	2/2018	Thomas et al.

9,956,978 B1 5/2018 Worley
 9,976,789 B2 5/2018 Grepper
 D820,049 S 6/2018 Ahlstrom et al.
 9,989,299 B1 6/2018 Ballard
 D826,027 S 8/2018 Carey et al.
 D835,472 S * 12/2018 Seiders D7/605
 D844,386 S 4/2019 Ahlstrom et al.
 10,316,550 B2 6/2019 Reinhart
 D900,588 S 11/2020 Rolfs et al.
 2003/0111476 A1 6/2003 Serb
 2003/0136702 A1 7/2003 Redzisz et al.
 2004/0025531 A1 2/2004 Holloman-Hughes et al.
 2004/0144783 A1 7/2004 Anderson et al.
 2004/0182870 A1 9/2004 Rodgers
 2004/0262319 A1 12/2004 Fisher
 2005/0082305 A1 4/2005 Dais et al.
 2005/0109776 A1 * 5/2005 Camp, Jr. A45C 11/20
 220/23.86
 2005/0127081 A1 6/2005 Leba et al.
 2005/0263527 A1 * 12/2005 Maldonado A45C 13/40
 220/592.2
 2005/0269541 A1 12/2005 Bodum
 2005/0279124 A1 12/2005 Maldonado
 2006/0017293 A1 1/2006 Tonelli
 2006/0042897 A1 * 3/2006 Sanderson E05B 65/5276
 190/120
 2006/0276768 A1 12/2006 Miller et al.
 2007/0284377 A1 12/2007 Chandler
 2008/0134714 A1 6/2008 Villanueva
 2008/0145919 A1 6/2008 Franklin et al.
 2008/0164265 A1 7/2008 Conforti
 2008/0178629 A1 7/2008 Meether
 2008/0190940 A1 8/2008 Scott
 2009/0114646 A1 5/2009 Whalen
 2009/0158770 A1 6/2009 Cohrs et al.
 2009/0188736 A1 7/2009 Niddam et al.
 2009/0217699 A1 9/2009 Ball
 2009/0274398 A1 11/2009 Men
 2010/0126196 A1 5/2010 McCance
 2010/0200588 A1 8/2010 Bergman et al.
 2010/0212351 A1 8/2010 Chapin et al.
 2010/0288776 A1 11/2010 Bodum
 2011/0062157 A1 3/2011 Grimm
 2011/0127264 A1 6/2011 Whalen
 2011/0197625 A1 8/2011 Urban et al.
 2011/0215125 A1 9/2011 Lopez
 2011/0226785 A1 9/2011 Sakell
 2012/0318808 A1 12/2012 McCormick
 2013/0043250 A1 2/2013 Kreidler et al.
 2014/0226920 A1 8/2014 Passavia
 2014/0252010 A1 9/2014 Miller
 2015/0008242 A1 1/2015 Kpabar, Jr.
 2015/0047635 A1 2/2015 Poree
 2015/0136796 A1 5/2015 Muehlhauser
 2015/0300721 A1 10/2015 Rigoli
 2015/0345853 A1 12/2015 Oeyen
 2015/0375918 A1 * 12/2015 Holderness B65D 83/00
 222/566
 2016/0031617 A1 2/2016 Fauchaux, Jr. et al.
 2016/0073751 A1 3/2016 Charlebois et al.
 2016/0113131 A1 4/2016 Emesti et al.
 2016/0135559 A1 5/2016 Scally
 2016/0244239 A1 8/2016 Nash
 2017/0020256 A1 1/2017 Jankura et al.
 2017/0055665 A1 3/2017 Lanzisera
 2017/0101301 A1 4/2017 Volin
 2017/0156525 A1 6/2017 Guy et al.
 2017/0159989 A1 6/2017 Bodnar
 2017/0197765 A1 7/2017 Hu et al.
 2017/0254578 A1 9/2017 Kriesel
 2017/0259956 A1 9/2017 Hori et al.
 2017/0292756 A1 10/2017 Fenko et al.
 2017/0305638 A1 10/2017 Sonntag et al.
 2017/0313492 A1 11/2017 Seiders et al.
 2017/0320653 A1 11/2017 Mogil et al.
 2017/0343247 A1 11/2017 Ahmad et al.
 2018/0003425 A1 1/2018 Goodloe
 2018/0015938 A1 1/2018 DeFrancia
 2018/0016068 A1 1/2018 Valencia

2018/0087819 A1 3/2018 Triska et al.
 2018/0127007 A1 5/2018 Kravchenko
 2018/0132586 A1 5/2018 Flaherty
 2018/0141718 A1 5/2018 Ahlstrom et al.
 2018/0186547 A1 7/2018 Morine et al.
 2018/0354687 A1 12/2018 Seiders et al.
 2019/0048631 A1 2/2019 Li
 2019/0152677 A1 5/2019 Hoyt
 2019/0161240 A1 5/2019 Ahlstrom et al.
 2019/0217999 A1 7/2019 Wood
 2019/0315538 A1 10/2019 Cheng

FOREIGN PATENT DOCUMENTS

BE 463027 A 3/1946
 CA 152932 A 1/1914
 CN 106246966 A 12/2016
 CN 304286831 9/2017
 DE 8229359 U1 12/1982
 DE 102010054187 A1 6/2012
 DE 202017006895 U1 9/2018
 EP 1700551 A2 9/2006
 EP 2135816 A1 12/2009
 EP 2852505 A1 4/2015
 EP 2861899 A1 4/2015
 GB 1818 4/1909
 GB 2045135 A 2/1996
 GB 2095684 11/2000
 GB 2096851 1/2001
 GB 3005022 1/2003
 GB 3025672 12/2006
 WO 9821534 A1 5/1998
 WO 2006007266 A2 1/2006
 WO 2014074113 A1 5/2014
 WO 2016066817 A1 5/2016
 WO 2017072531 A1 5/2017
 WO 2017182290 A1 10/2017
 WO 2018005859 A2 1/2018

OTHER PUBLICATIONS

Dometic Patrol 35 https://shop.dometic.com/store/dometic/en_US/pd/productID.5178771400 (12 pp) Oct. 23, 2019.
 gore.com/protectivevents—screw-in series—“Increase outdoor enclosure durability in harsh environments” p. 1-4.
 May 27, 2020—(WO) Partial International Search—PCT/US2019/065859.
 Jul. 28, 2020—(WO) International Search Report & Written Opinion—PCT/US19/065859.
 Nov. 4, 2020—(CN) Office Action—App. No. 202030157746.X.
 Apr. 8, 2021—(NZ) Examination Report 2—App. No. 427609.

* cited by examiner

Primary Examiner — Terry A Wallace
 (74) *Attorney, Agent, or Firm* — Banner & Witcoff, Ltd.

(57) CLAIM

The ornamental design for a container, as shown and described.

DESCRIPTION

FIG. 1 is a front, right, perspective view of a container showing our new design;
 FIG. 2 is a front view thereof;
 FIG. 3 is a rear view thereof;
 FIG. 4 is a right side view thereof;
 FIG. 5 is a left side view thereof;
 FIG. 6 is a top view thereof; and,
 FIG. 7 is a bottom view thereof.

The even-length broken lines represent unclaimed boundaries and form no part of the claimed design. The container is shown with a symbolic break in its length, width, and height. The appearance of any portion of the article between the break lines forms no part of the claimed design.

1 Claim, 6 Drawing Sheets

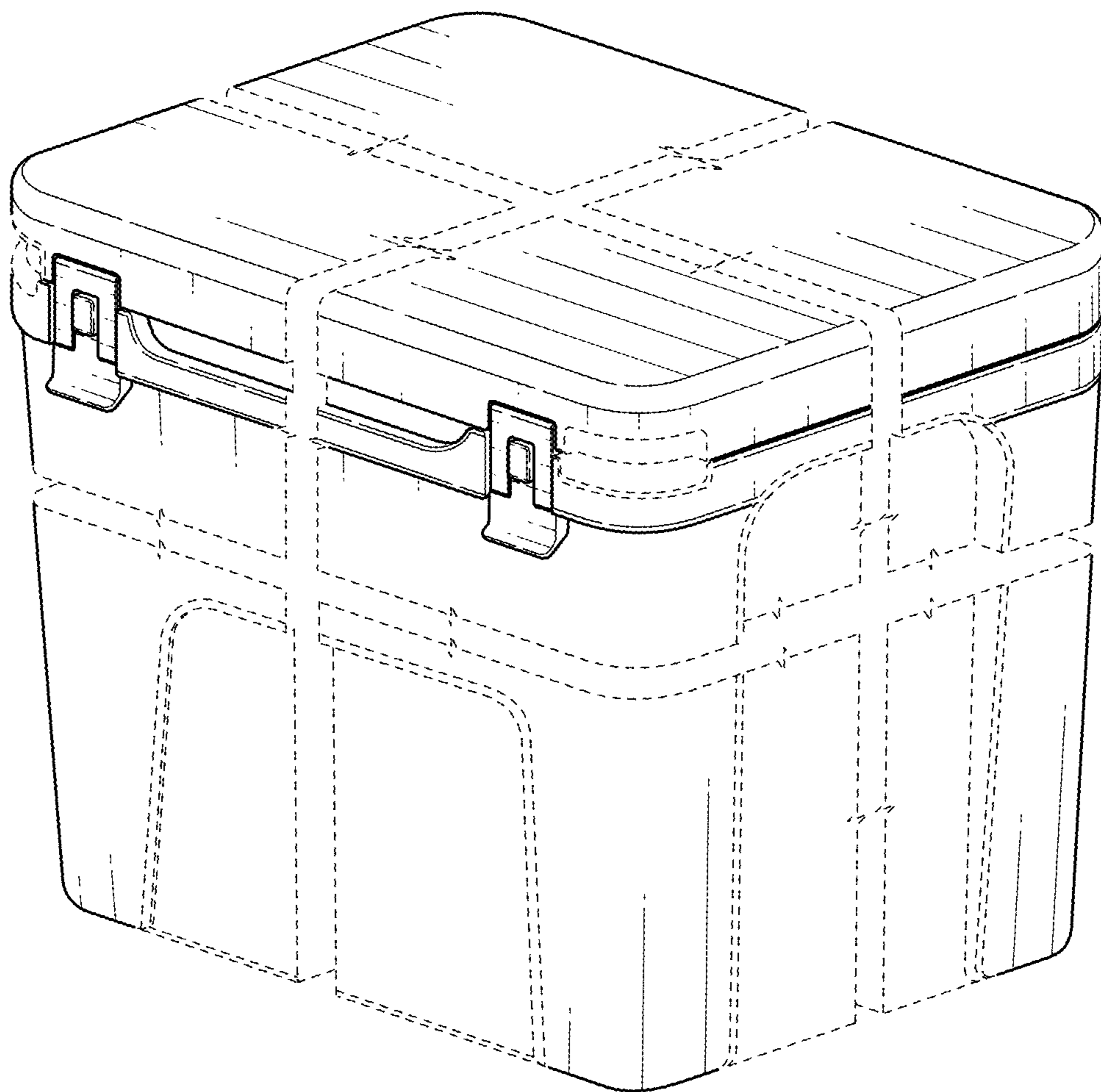


FIG. 1

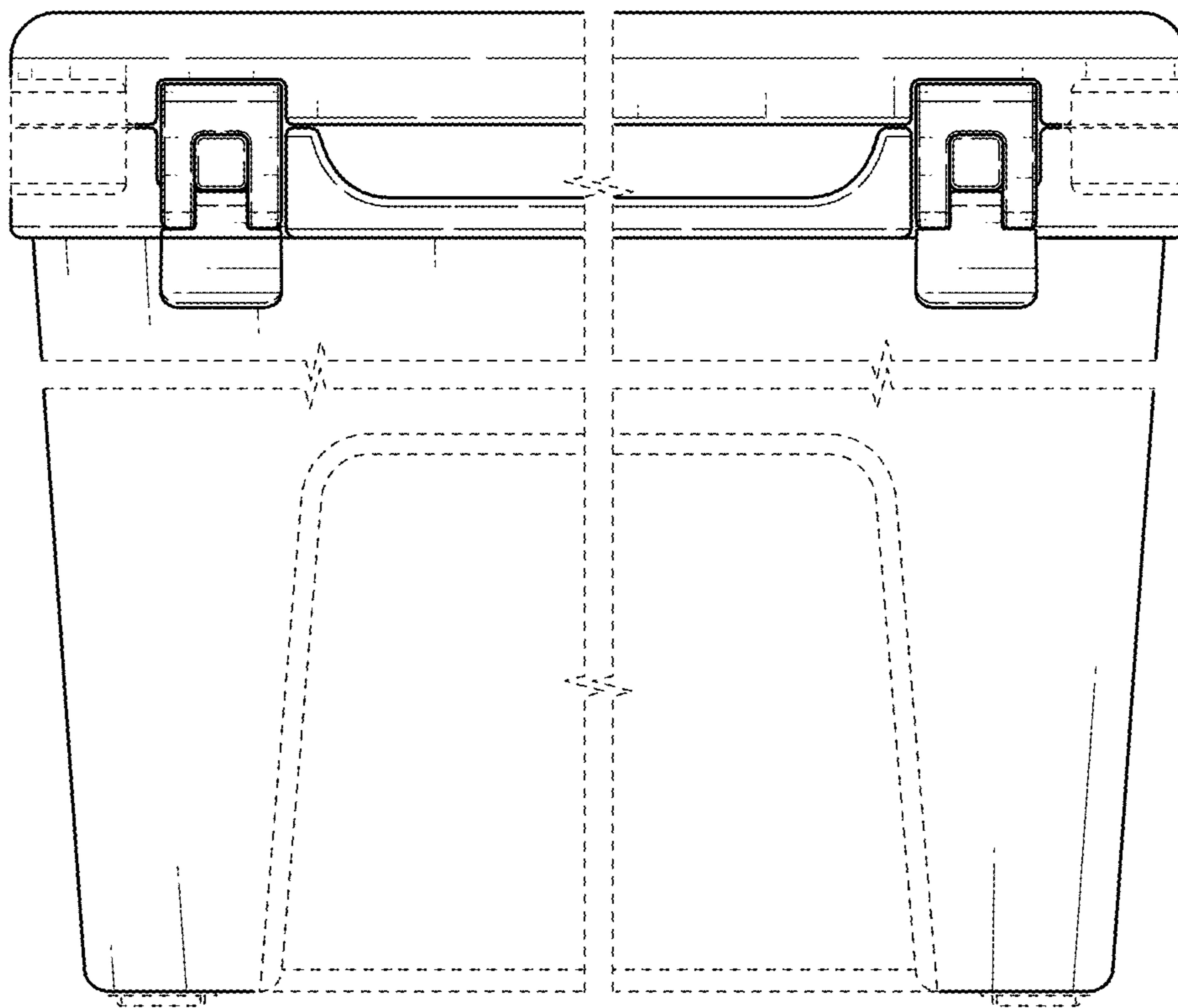


FIG. 2

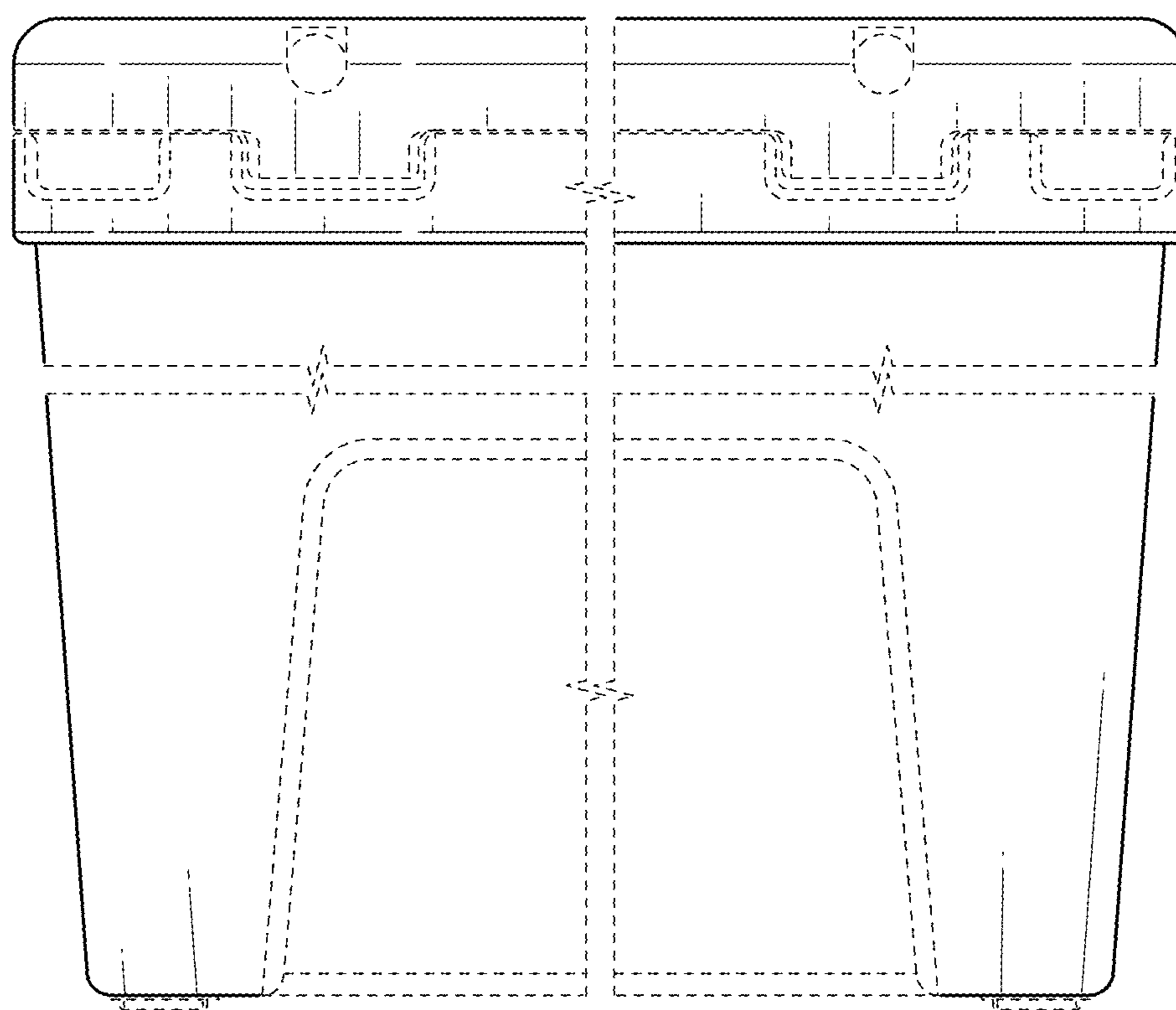


FIG. 3

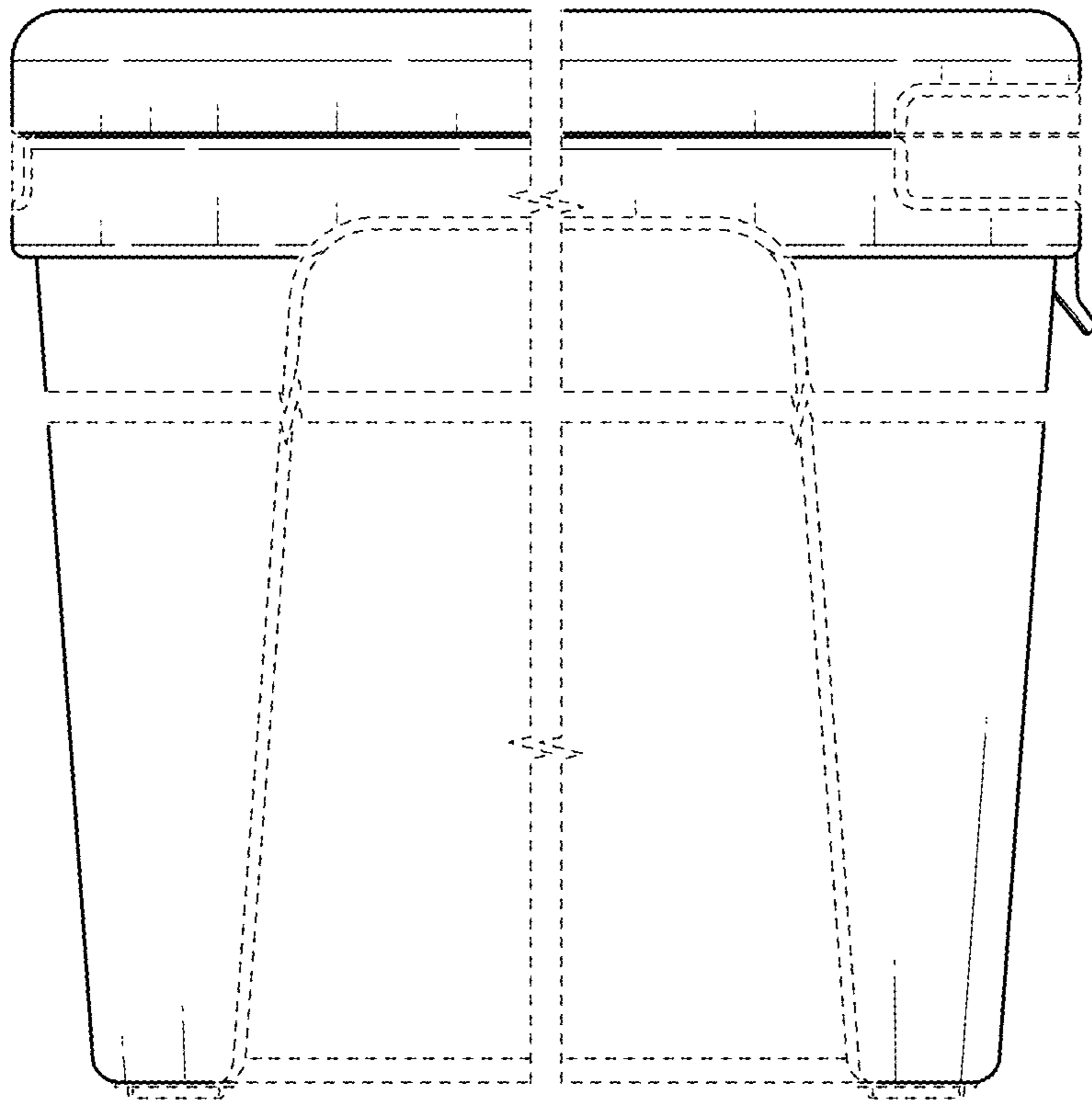


FIG. 4

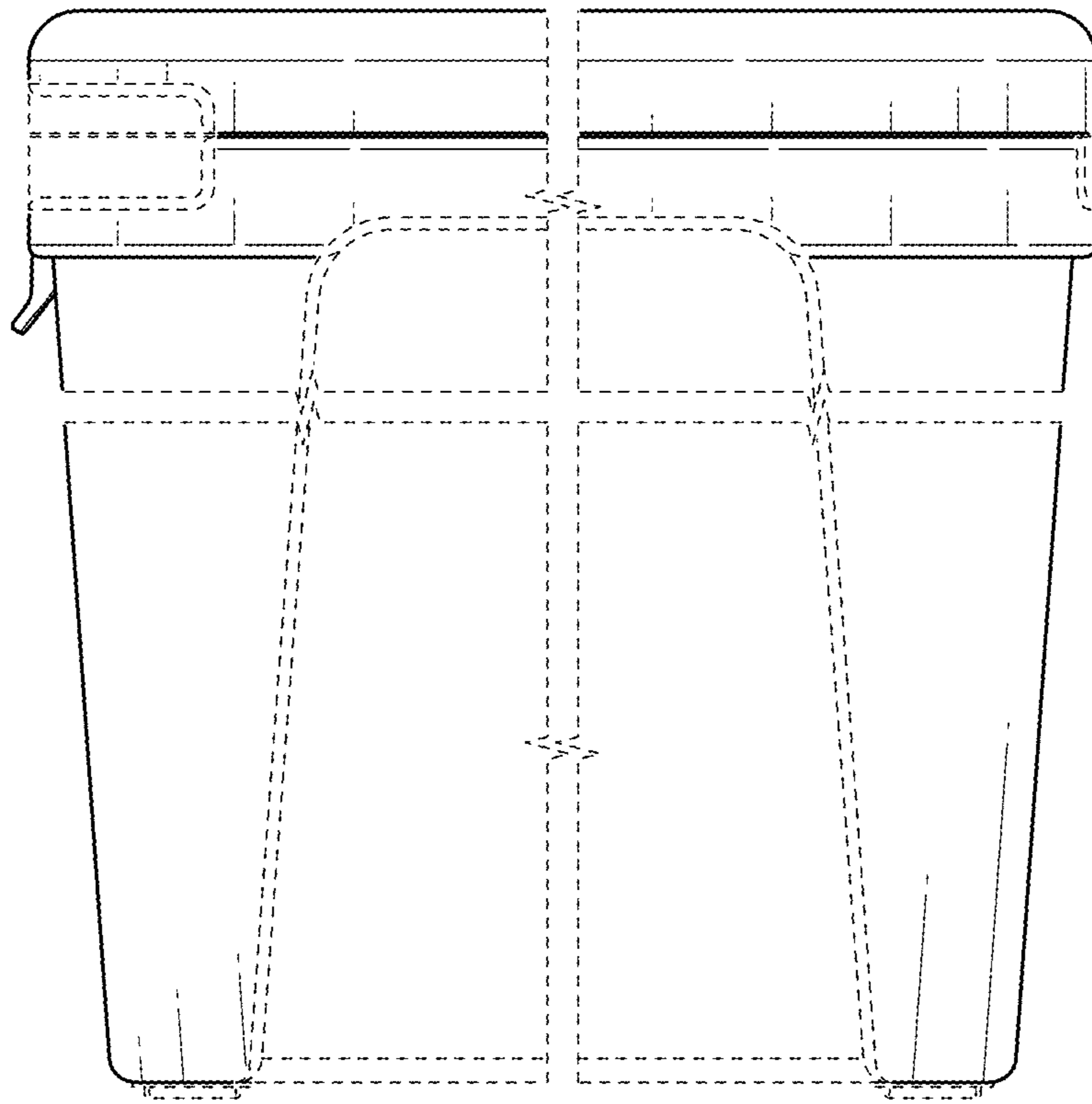


FIG. 5

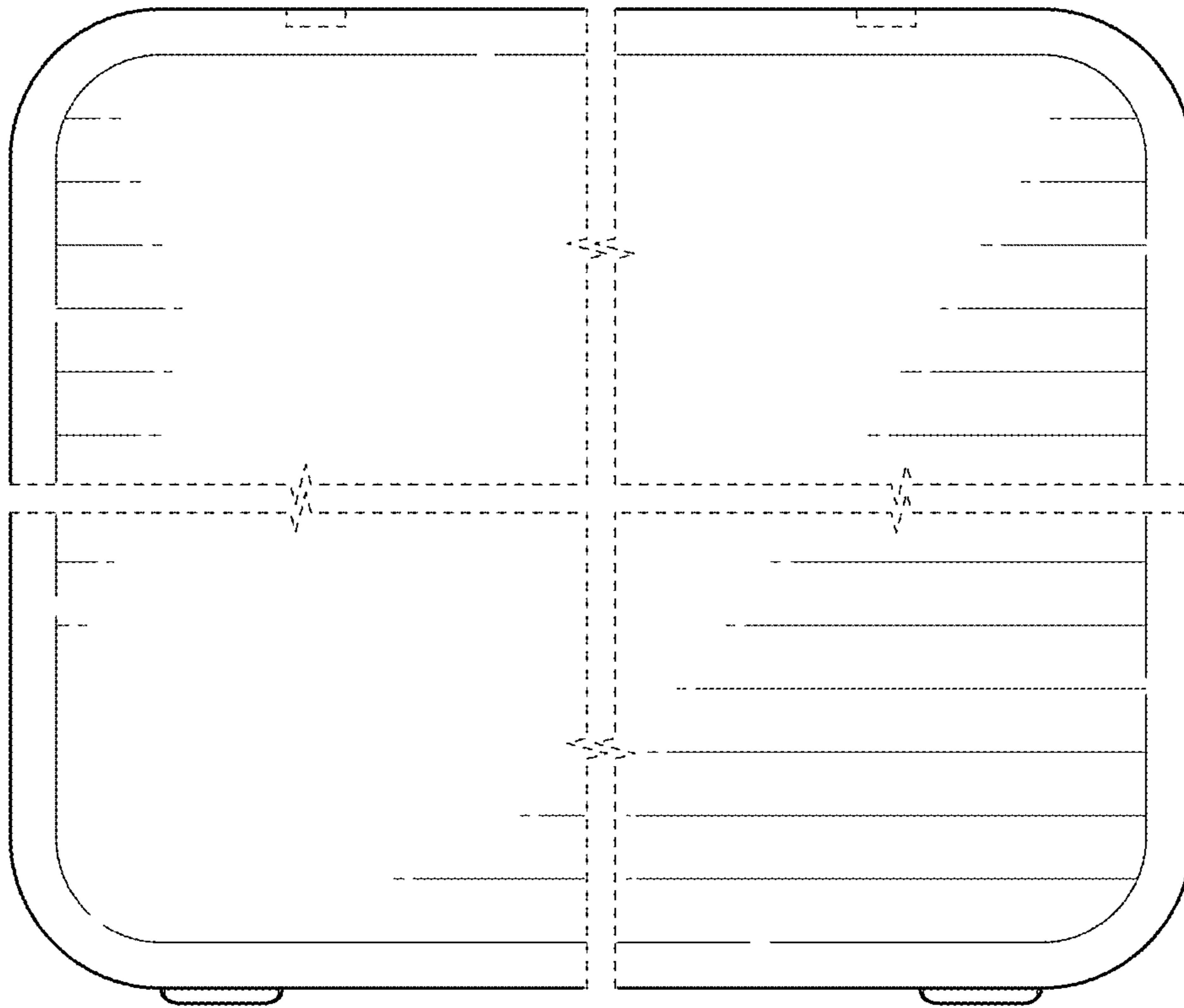


FIG. 6

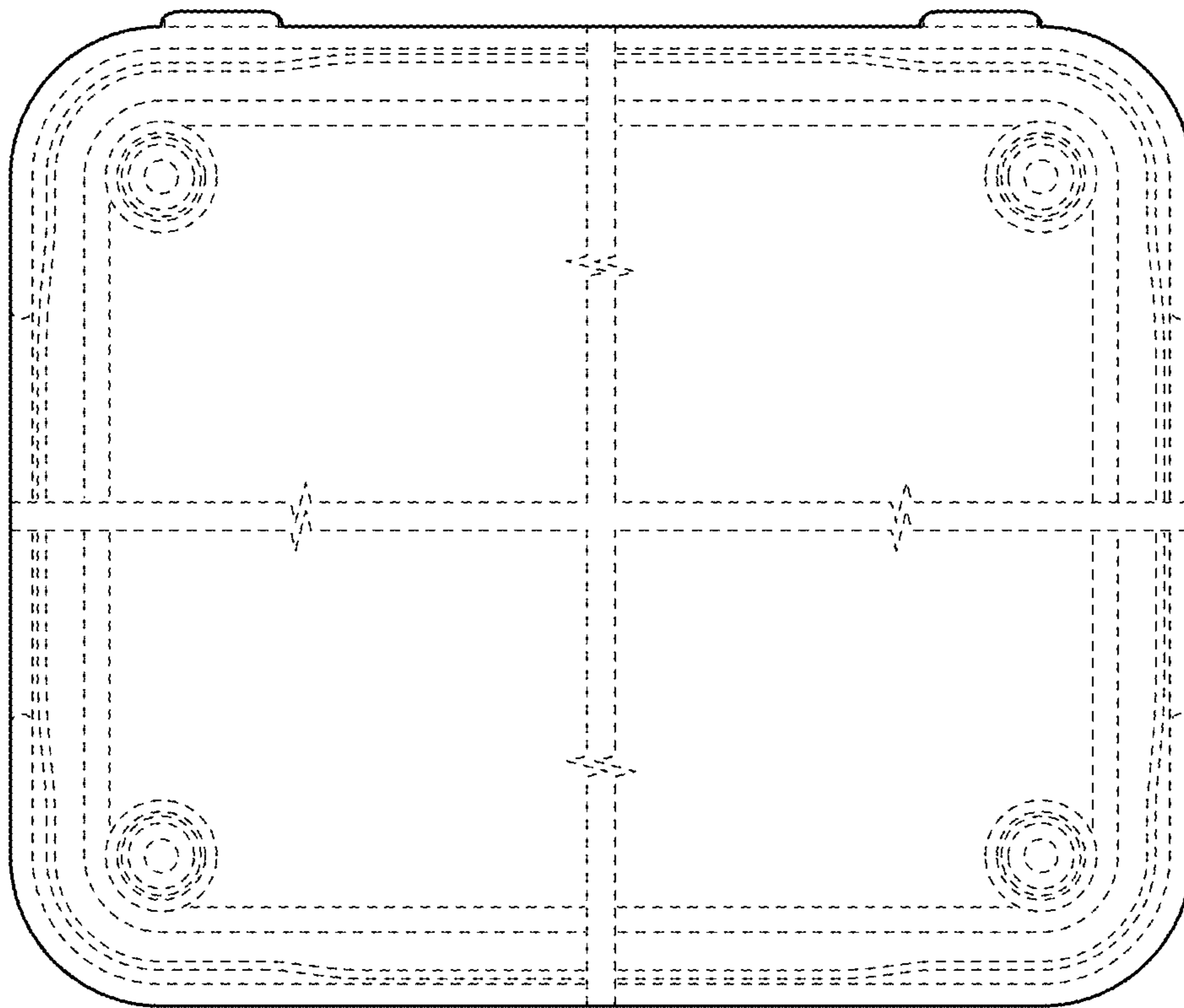


FIG. 7