



US00D925292S

(12) **United States Design Patent** (10) **Patent No.:** **US D925,292 S**  
**Abusoud** (45) **Date of Patent:** **\*\* Jul. 20, 2021**

(54) **SERVING TRAY**  
 (71) Applicant: **Ali A. Abusoud**, St. Thomas, VI (US)  
 (72) Inventor: **Ali A. Abusoud**, St. Thomas, VI (US)  
 (\*\*) Term: **15 Years**  
 (21) Appl. No.: **29/764,449**  
 (22) Filed: **Dec. 30, 2020**

D825,997 S \* 8/2018 Dolinsky ..... D7/553.6  
 D835,467 S \* 12/2018 Dolinsky ..... D7/553.6  
 D836,719 S \* 12/2018 Smith ..... D19/85  
 D871,811 S \* 1/2020 Xu ..... D6/692.3  
 D900,524 S \* 11/2020 Repp ..... D6/707.2  
 2002/0027366 A1\* 3/2002 Bieri ..... A47G 23/0641  
 294/159  
 2012/0031806 A1\* 2/2012 Riley ..... A47G 23/0633  
 206/563  
 2015/0230643 A1\* 8/2015 Kamei ..... A47G 23/0625  
 206/139

\* cited by examiner

**Related U.S. Application Data**

(63) Continuation of application No. 15/663,788, filed on Jul. 30, 2017, now abandoned.  
 (51) **LOC (13) Cl.** ..... **07-01**  
 (52) **U.S. Cl.**  
 USPC ..... **D7/553.8**  
 (58) **Field of Classification Search**  
 USPC ..... D7/550.1, 552.2, 553.5, 553.6, 553.8,  
 D7/554.1, 554.2, 601-602, 397, 401.1;  
 D9/414, 424, 737, 738, 741, 742, 751,  
 D9/756  
 CPC .. B65D 1/34; B65D 1/36; B65D 2501/24019;  
 B65D 11/20; B65D 2525/285  
 See application file for complete search history.

Primary Examiner — Kelley A Donnelly

(74) *Attorney, Agent, or Firm* — Edwin D. Schindler

(57) **CLAIM**

The ornamental design for a serving tray, as shown and described.

**DESCRIPTION**

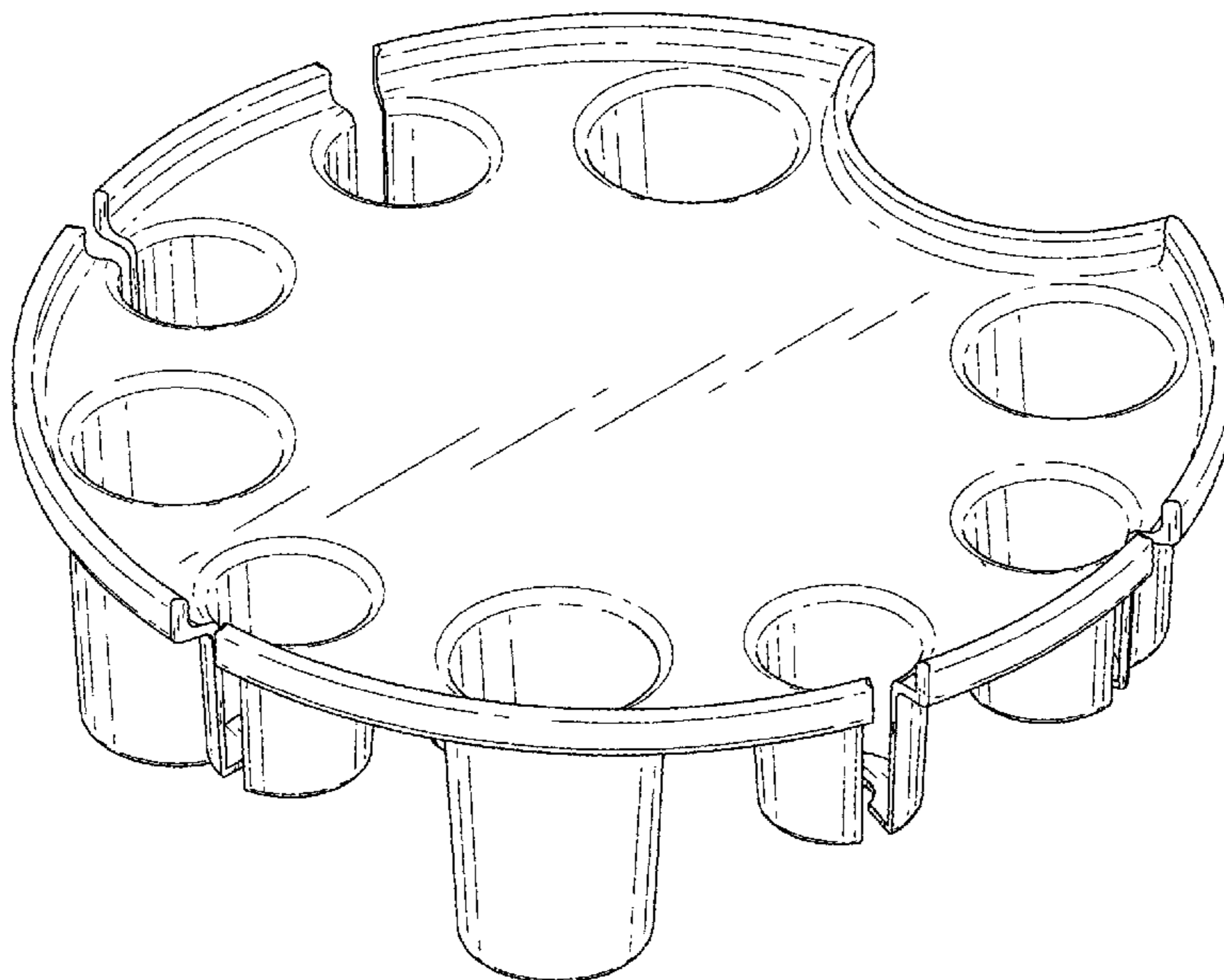
FIG. 1 is a front/top perspective view of the serving tray of the present design;  
 FIG. 2 is a top plan view of the serving tray of the design of FIG. 1;  
 FIG. 3 is a bottom plan view of the serving tray of the design of FIG. 1;  
 FIG. 4 is an enlarged cross-sectional of FIG. 3 of the serving tray, designated as 4-4, of the design of FIG. 1;  
 FIG. 5 is a front elevational view of the serving tray of the design of FIG. 1;  
 FIG. 6 is a rear elevational view of the serving tray of the design of FIG. 1;  
 FIG. 7 is a right side elevational view of the serving tray of the design of FIG. 1, a left side elevational view being a mirror image thereof; and,  
 FIG. 8 is an exploded view of the serving tray of the design of FIG. 1.

(56) **References Cited**

**U.S. PATENT DOCUMENTS**

3,162,344 A \* 12/1964 Sabol ..... A47G 23/0625  
 294/143  
 D252,066 S \* 6/1979 Jeambey ..... D7/357  
 D292,161 S \* 10/1987 Spolter ..... D7/553.6  
 D393,775 S \* 4/1998 Otero ..... D7/553.6  
 D766,665 S \* 9/2016 Shames ..... D7/554.2  
 D769,676 S \* 10/2016 Alleyne ..... D7/553.8  
 D779,887 S \* 2/2017 Alleyne ..... D7/553.8  
 D798,677 S \* 10/2017 Paternostre ..... D8/1  
 9,839,311 B2\* 12/2017 Shames ..... A47G 19/065  
 D810,959 S \* 2/2018 Langhoff ..... D24/230

**1 Claim, 8 Drawing Sheets**



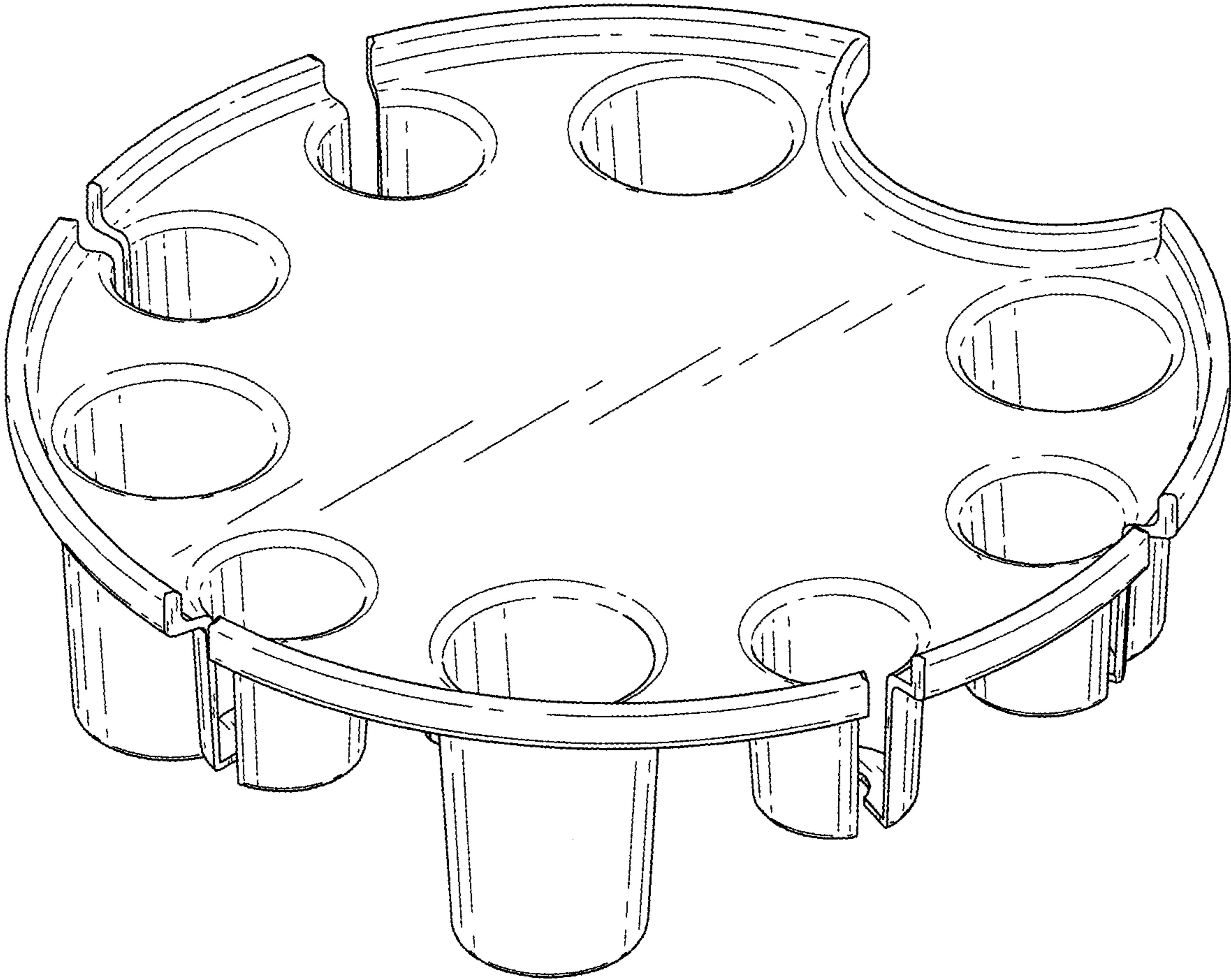


FIG. 1

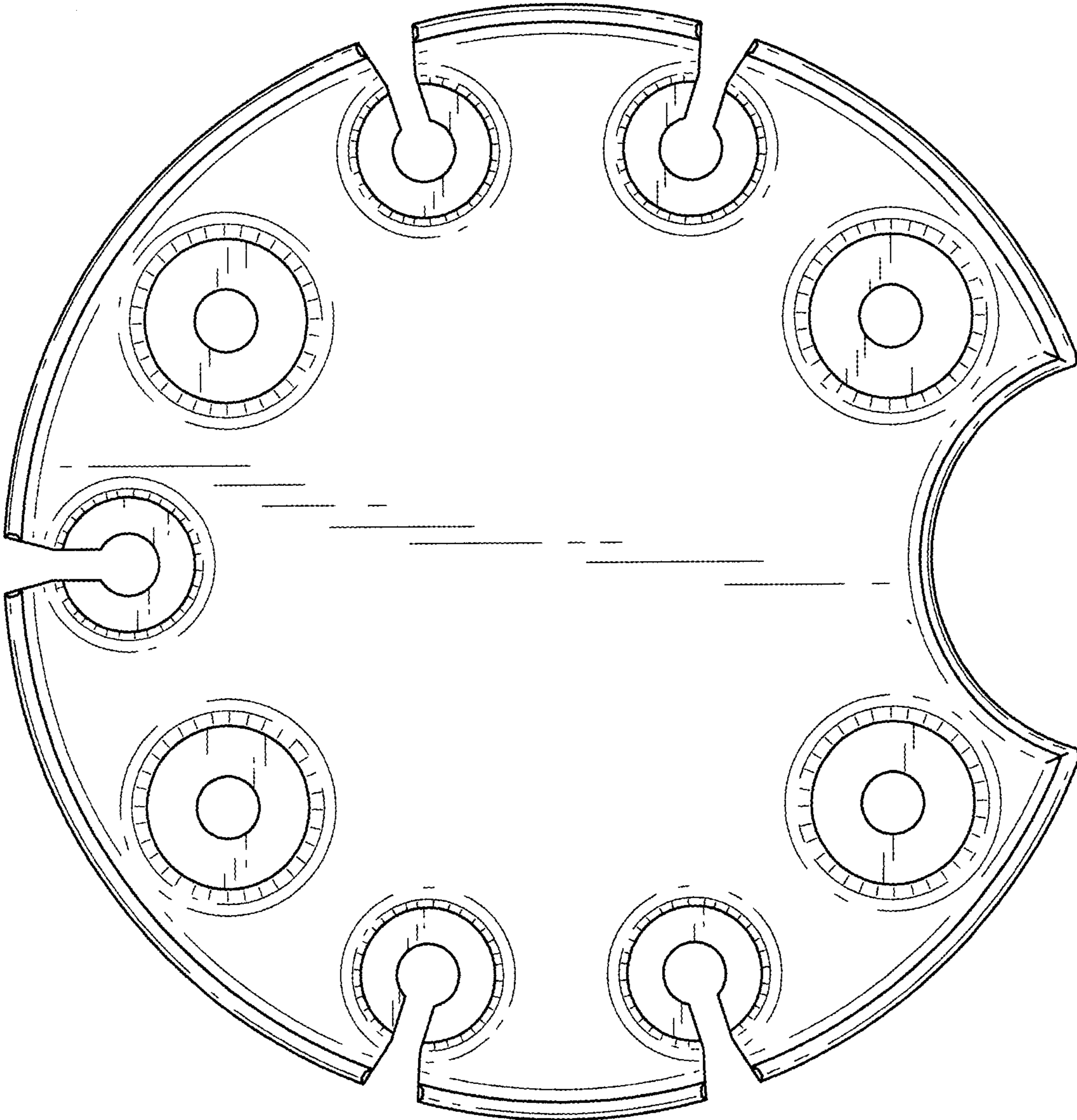


FIG. 2

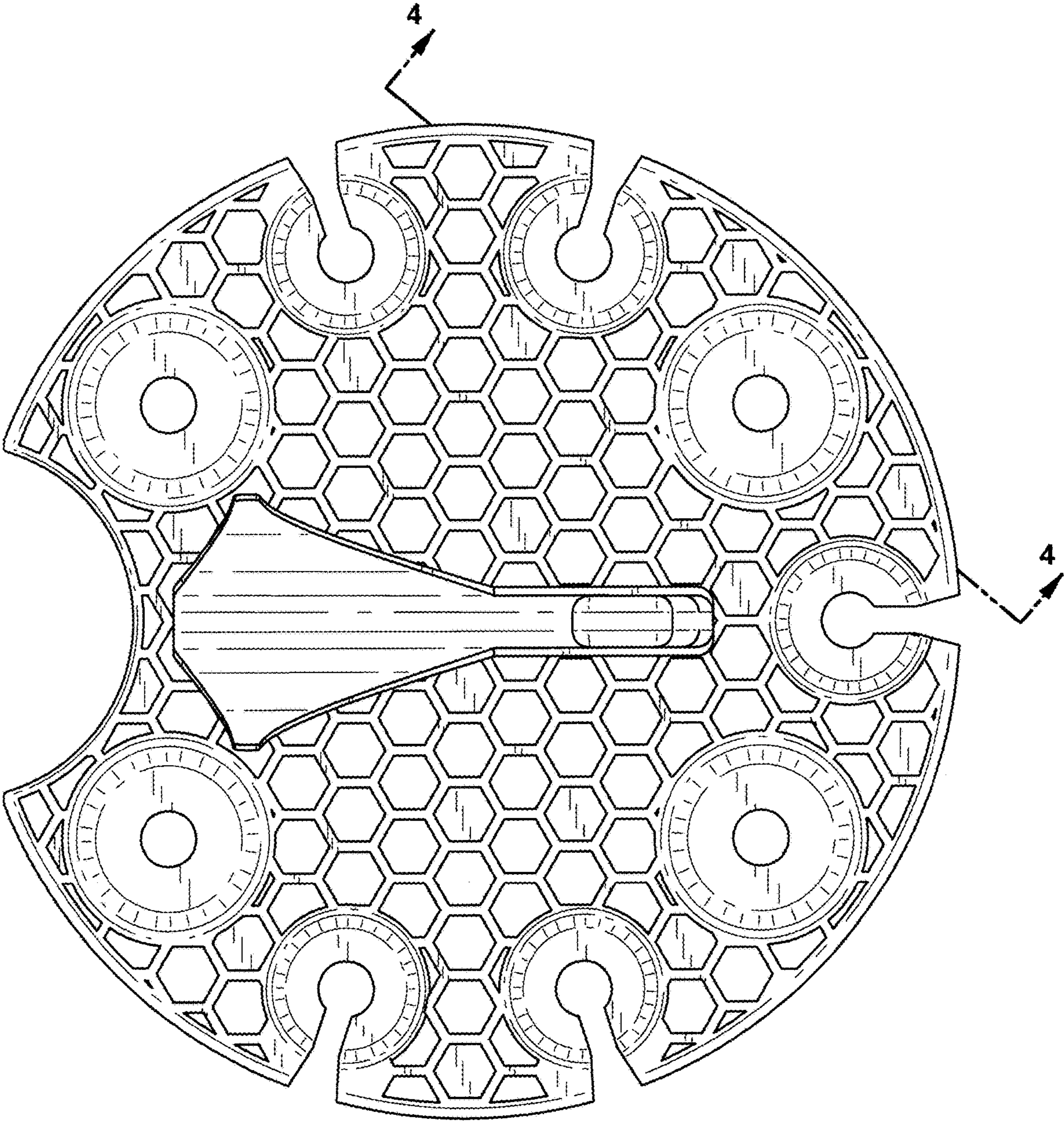


FIG. 3

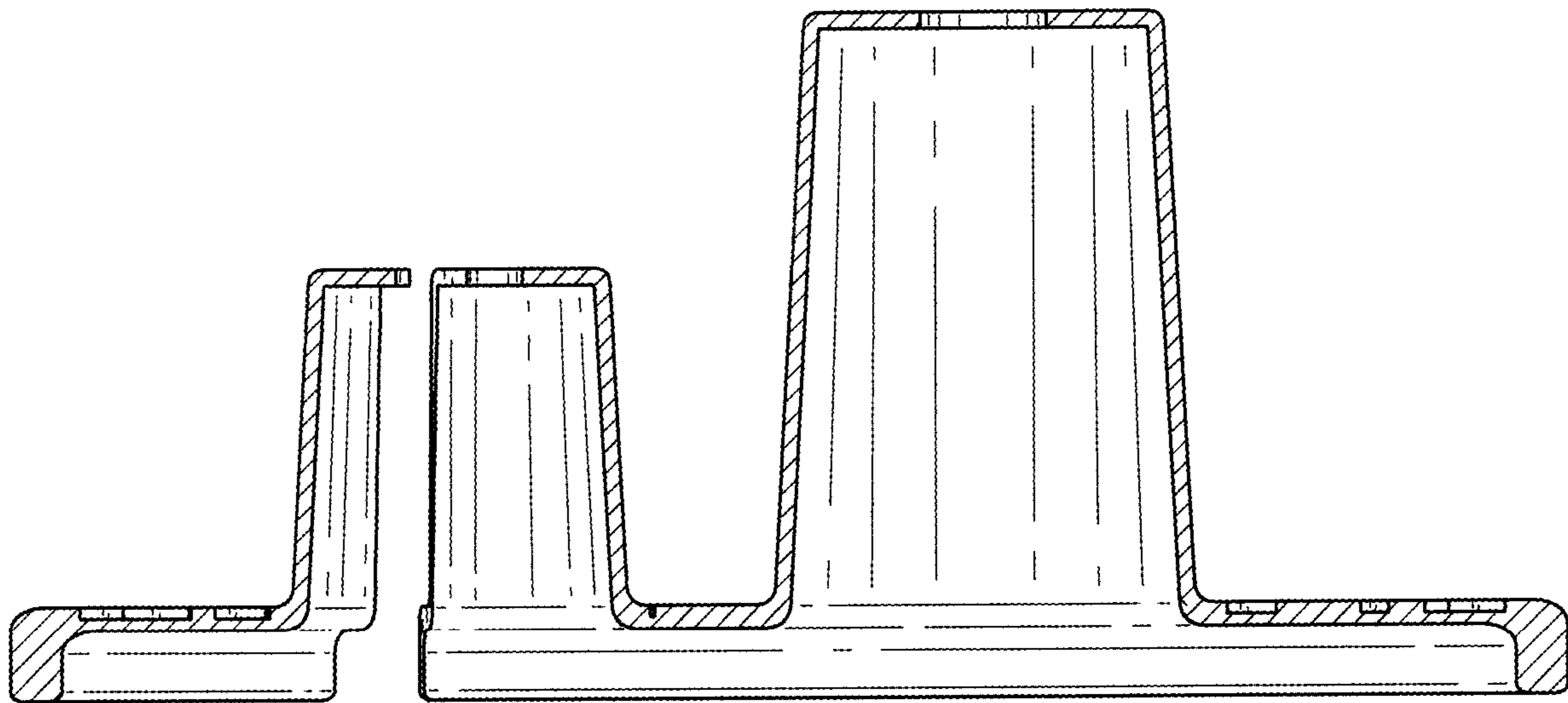


FIG. 4

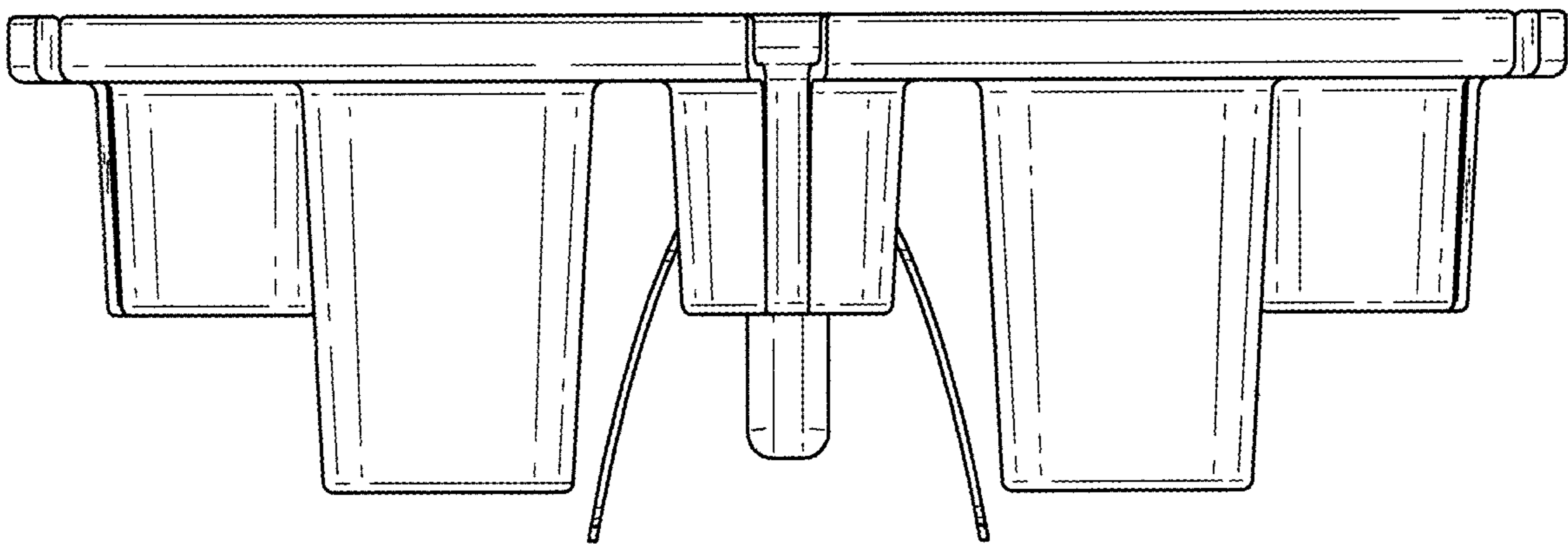


FIG. 5

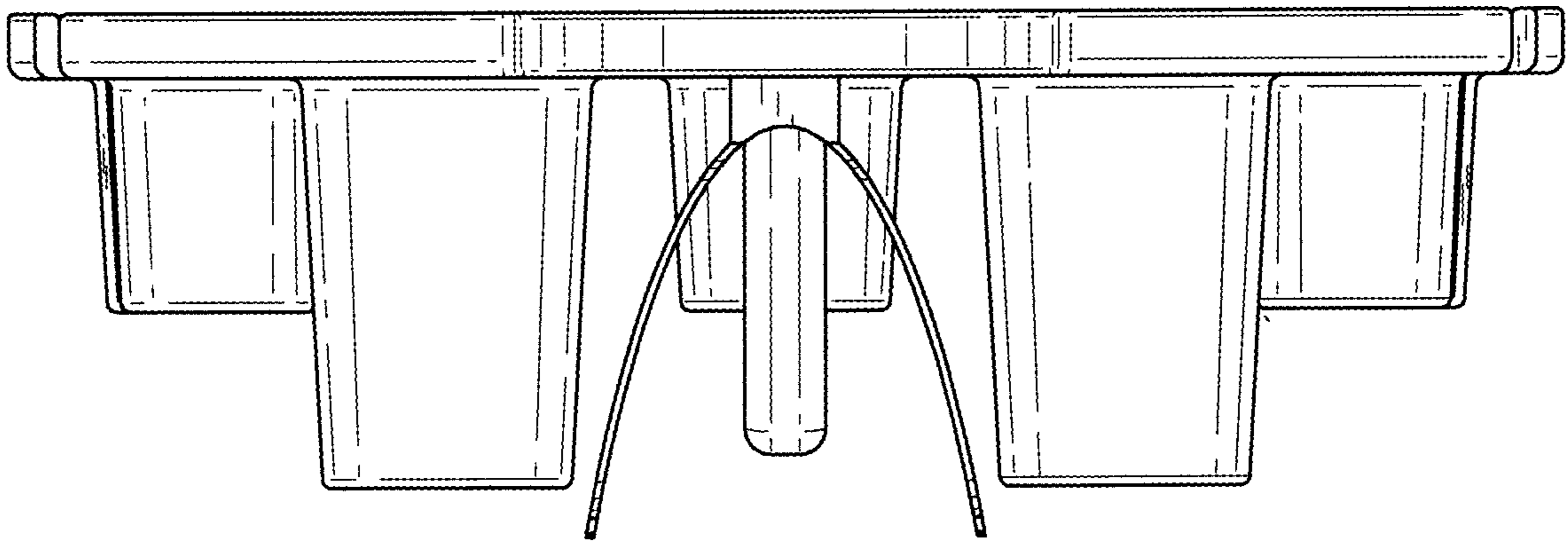


FIG. 6

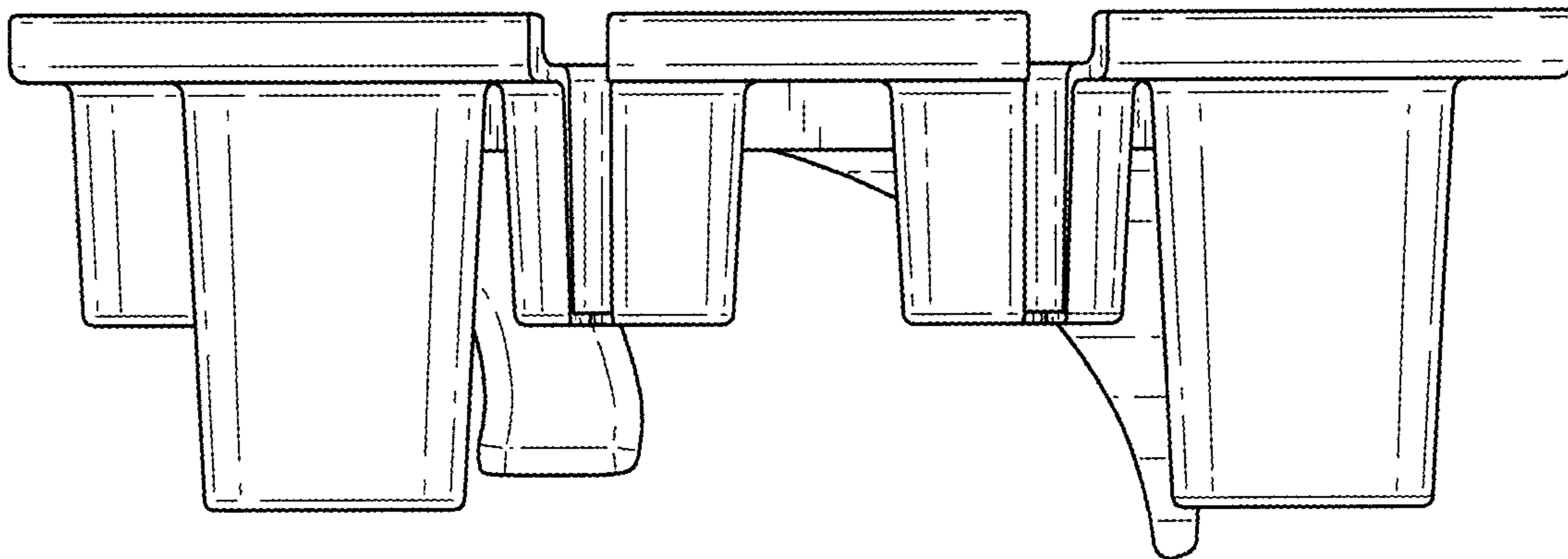


FIG. 7



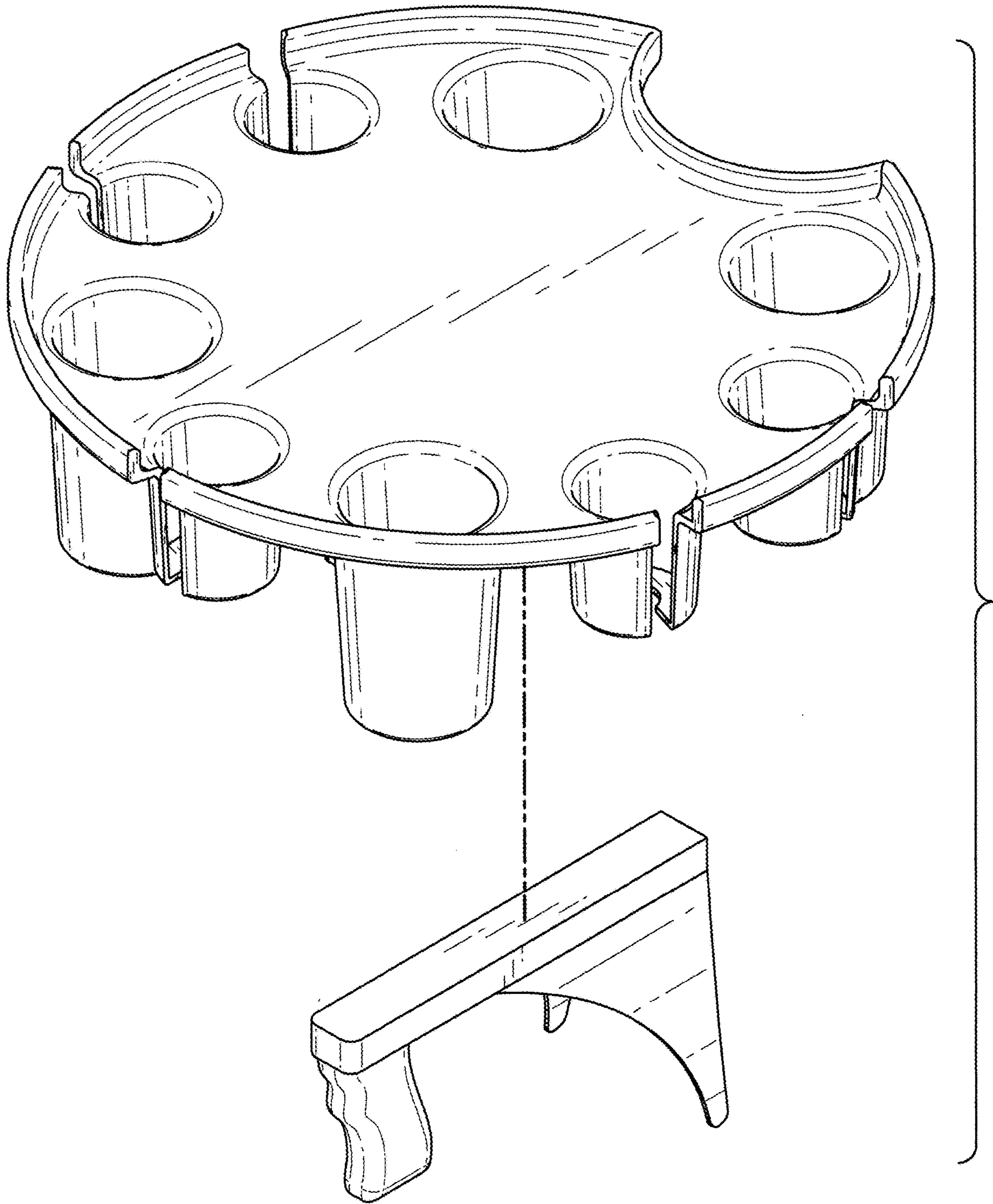


FIG. 8