



US00D925291S

(12) **United States Design Patent**
Kellow, Jr.

(10) **Patent No.:** **US D925,291 S**
(45) **Date of Patent:** **** Jul. 20, 2021**

(54) **SERVING PLATE**

- (71) Applicant: **Bethrick, Inc.**, Slinger, WI (US)
- (72) Inventor: **Richard A. Kellow, Jr.**, Slinger, WI (US)
- (73) Assignee: **Bethrick, Inc.**, Elroy, WI (US)
- (**) Term: **15 Years**

(21) Appl. No.: **29/727,951**

(22) Filed: **Mar. 13, 2020**

(51) **LOC (13) Cl.** **07-01**

(52) **U.S. Cl.**
USPC **D7/553.2**

(58) **Field of Classification Search**
USPC D7/396.4, 501, 505, 538, 540, 541-543, D7/545-546, 549, 552.1, 553, 553.2, D7/553.4, 553.6, 554.2; D9/424, 432, D9/716, 719, 744-745, 756, 759-760, D9/761; D30/129-130; D3/304, 313, D3/315

CPC B65D 1/34; B65D 21/00; B65D 21/0204; A47G 23/06; A47G 23/0641; A47G 23/08; A47G 23/0208; A47G 23/0633; B25H 3/06; A47B 23/00

See application file for complete search history.

(56) **References Cited**

U.S. PATENT DOCUMENTS

2,427,697 A	9/1947	Weidler	
D190,668 S	6/1961	Bliss	
3,498,470 A *	3/1970	Thomas A47G 23/06 211/74
3,955,672 A	5/1976	Brundage	
4,346,070 A	8/1982	Johnson	
4,461,396 A	7/1984	Harper	
D286,250 S	10/1986	Prescott	
D301,820 S *	6/1989	Wasserman D6/406.6
D303,194 S	9/1989	Darby et al.	

(Continued)

OTHER PUBLICATIONS

anypromo.com, "Party Valet Snack & Wine Tray," retrieved from <https://bit.ly/2T1qUu3> on Feb. 26, 2020, 7 pages.

(Continued)

Primary Examiner — Kelley A Donnelly

(74) *Attorney, Agent, or Firm* — Foley & Lardner LLP

(57) **CLAIM**

I claim the ornamental design for a serving plate, as shown and described.

DESCRIPTION

FIG. 1 is a top perspective view of the claimed design according to a first embodiment;

FIG. 2 is a second top perspective view thereof;

FIG. 3 is a top plan view thereof;

FIG. 4 is a bottom plan view thereof;

FIG. 5 is a front elevation view thereof;

FIG. 6 is a rear elevation view thereof;

FIG. 7 is a right side elevation view thereof;

FIG. 8 is a left side elevation view thereof;

FIG. 9 is a cross section view of the claimed design as shown in FIG. 3;

FIG. 10 is a top perspective view of the claimed design according to a second embodiment;

FIG. 11 is a second top perspective view thereof;

FIG. 12 is a top plan view thereof;

FIG. 13 is a bottom plan view thereof;

FIG. 14 is a front elevation view thereof;

FIG. 15 is a rear elevation view thereof;

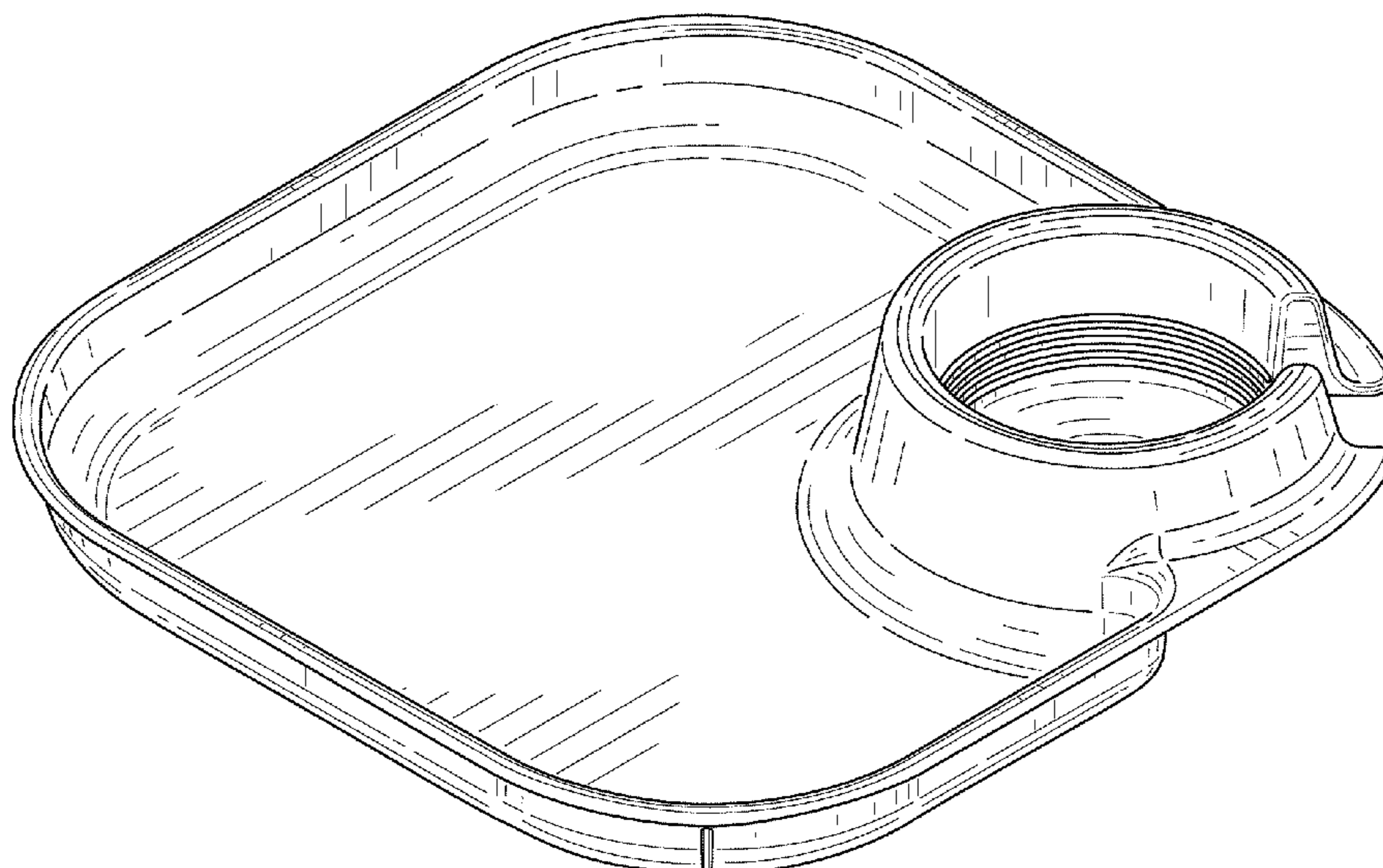
FIG. 16 is a right side elevation view thereof;

FIG. 17 is a left side elevation view thereof; and,

FIG. 18 is a cross section view of the claimed design as shown in FIG. 12.

The ornamental design which is claimed is shown in solid lines in the Figures.

1 Claim, 12 Drawing Sheets



(56)

References Cited

U.S. PATENT DOCUMENTS

D304,658 S 11/1989 Mattei
 4,938,373 A 7/1990 McKee
 5,058,737 A 10/1991 Patterson et al.
 D331,860 S 12/1992 Stanfield
 5,184,750 A 2/1993 Moller
 5,184,751 A 2/1993 Middleton
 5,207,743 A 5/1993 Costarella et al.
 5,249,700 A 10/1993 Dumke
 D342,190 S 12/1993 Devitt
 D349,426 S * 8/1994 Norris D6/406.3
 D356,010 S 3/1995 McEntee
 D360,112 S 7/1995 McEntee
 5,441,164 A 8/1995 Beck et al.
 5,551,593 A 9/1996 Wiens
 5,695,052 A 12/1997 Damato
 D398,481 S 9/1998 Brown et al.
 5,803,305 A 9/1998 Perlis et al.
 D404,612 S 1/1999 Blazeovich
 5,960,982 A 10/1999 Perlis et al.
 6,062,418 A 5/2000 Rathjen
 6,113,049 A * 9/2000 Miljanich B60N 3/103
 248/311.2
 6,129,235 A 10/2000 Creske
 D442,830 S * 5/2001 Raucci D7/553.5
 D444,676 S 7/2001 Murphy
 D453,308 S 2/2002 McCauley
 6,516,747 B1 2/2003 Willinger
 6,550,630 B1 4/2003 Krupa
 6,691,890 B1 2/2004 Persson
 D501,761 S * 2/2005 Glander D7/553.5
 D502,058 S 2/2005 Stilz
 D506,357 S * 6/2005 Price D7/553.6
 D509,104 S * 9/2005 Price D7/553.4
 D509,994 S 9/2005 Hadland
 D511,273 S 11/2005 Hadelar
 D516,867 S 3/2006 Martin et al.
 D523,185 S 6/2006 Oliphant
 D526,536 S 8/2006 Littlejohn et al.
 D527,224 S 8/2006 Roth et al.
 D527,952 S 9/2006 Roth et al.
 D527,954 S 9/2006 Roth
 D547,126 S * 7/2007 Levine D7/549
 D560,044 S 1/2008 Roes
 D568,112 S 5/2008 Epstein
 D574,180 S 8/2008 Broom

D576,448 S 9/2008 Harris
 D579,274 S 10/2008 Bizzell
 D582,102 S 12/2008 Roes
 D592,017 S 5/2009 Bizzell
 D593,364 S 6/2009 Harris
 D597,261 S 7/2009 Dye et al.
 D608,593 S * 1/2010 Follansbee D7/553.5
 D623,806 S 9/2010 Modi et al.
 7,992,740 B2 8/2011 Kinchen
 D654,230 S 2/2012 Tedaldi et al.
 D682,037 S 5/2013 Cloutier
 D691,857 S 10/2013 Muspratt-Williams et al.
 8,672,175 B2 3/2014 Farmer
 D704,512 S 5/2014 Kellow, Jr.
 D716,003 S 10/2014 Brown
 D732,344 S * 6/2015 Clark D7/553.1
 9,060,628 B2 6/2015 Evans
 D740,615 S * 10/2015 Shoshan D7/553.2
 D742,698 S 11/2015 Kellow, Jr.
 D750,939 S 3/2016 Kellow, Jr.
 D770,854 S * 11/2016 Das D7/549
 D778,116 S * 2/2017 Cao D7/554.2
 D781,659 S 3/2017 Kellow, Jr.
 D795,016 S * 8/2017 Crawford D7/553.8
 D808,222 S * 1/2018 Shames D7/554.2
 D842,044 S * 3/2019 Floco D7/553.8
 D862,987 S * 10/2019 Bergin D7/553.4
 D894,688 S * 9/2020 Floco D7/553.2
 D901,096 S * 11/2020 MacNeil D30/133
 D910,375 S * 2/2021 Marshall D7/505
 2003/0098310 A1 5/2003 McGee
 2008/0156811 A1 7/2008 Lu et al.
 2008/0173652 A1 7/2008 Chou
 2009/0194543 A1 8/2009 Farmer
 2014/0367392 A1 12/2014 McClinton
 2015/0008231 A1 1/2015 Kellow, Jr.
 2015/0150393 A1 6/2015 Avery
 2015/0216338 A1 8/2015 Shendelman
 2016/0120342 A1 5/2016 Petersburg

OTHER PUBLICATIONS

Red Vanilla, "Trends Wine and Cheese Plate Square 7.5", Set of 6,"
 retrieved from <https://mcys.co/2SZs5tY> on Feb. 26, 2020, 3 pages.
 Wine Devices, "Square Party Plate With Built-In Stemware Holder,"
 retrieved from <https://bit.ly/3a4D9fd> on Feb. 26, 2020, 3 pages.

* cited by examiner

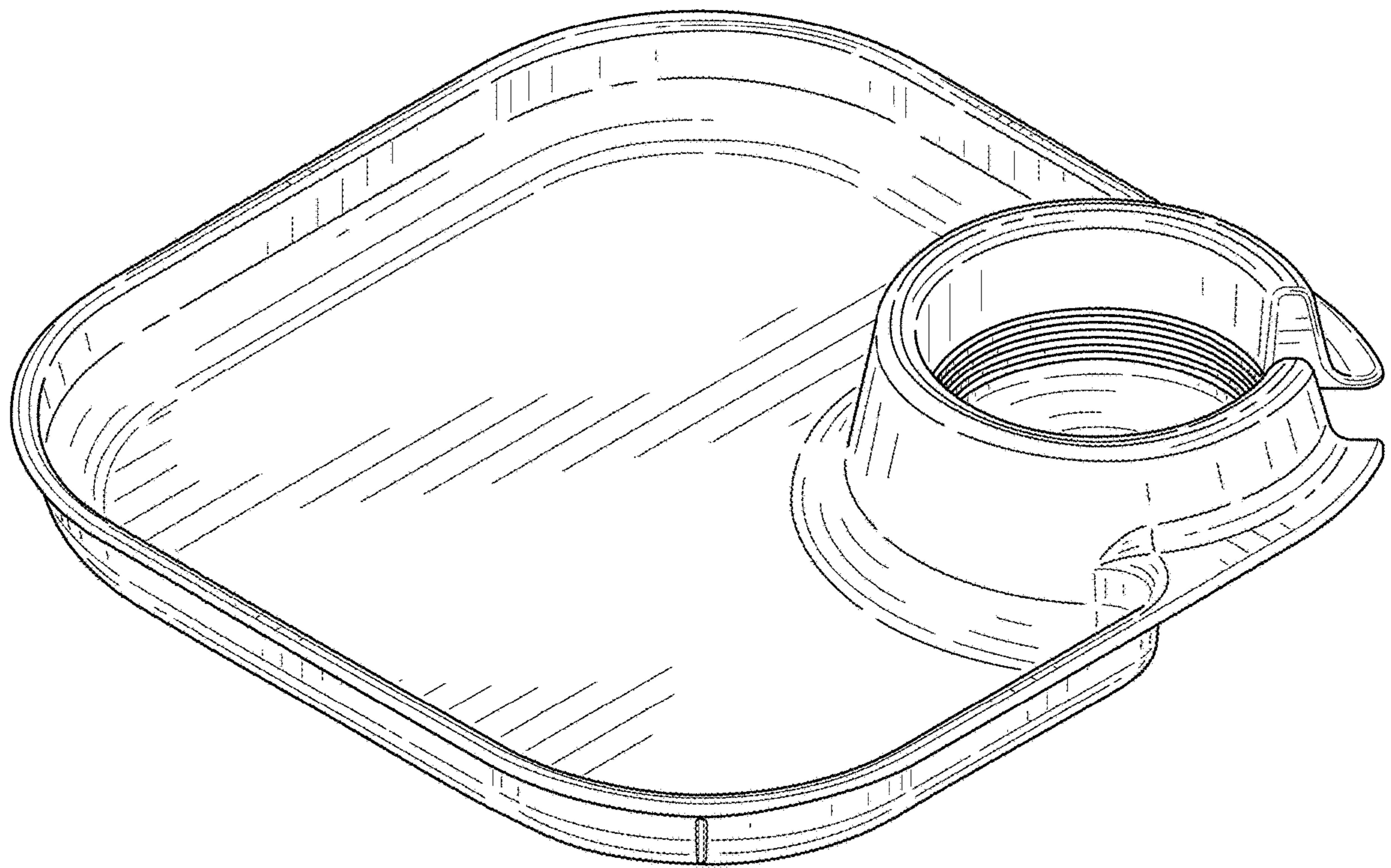


FIG. 1

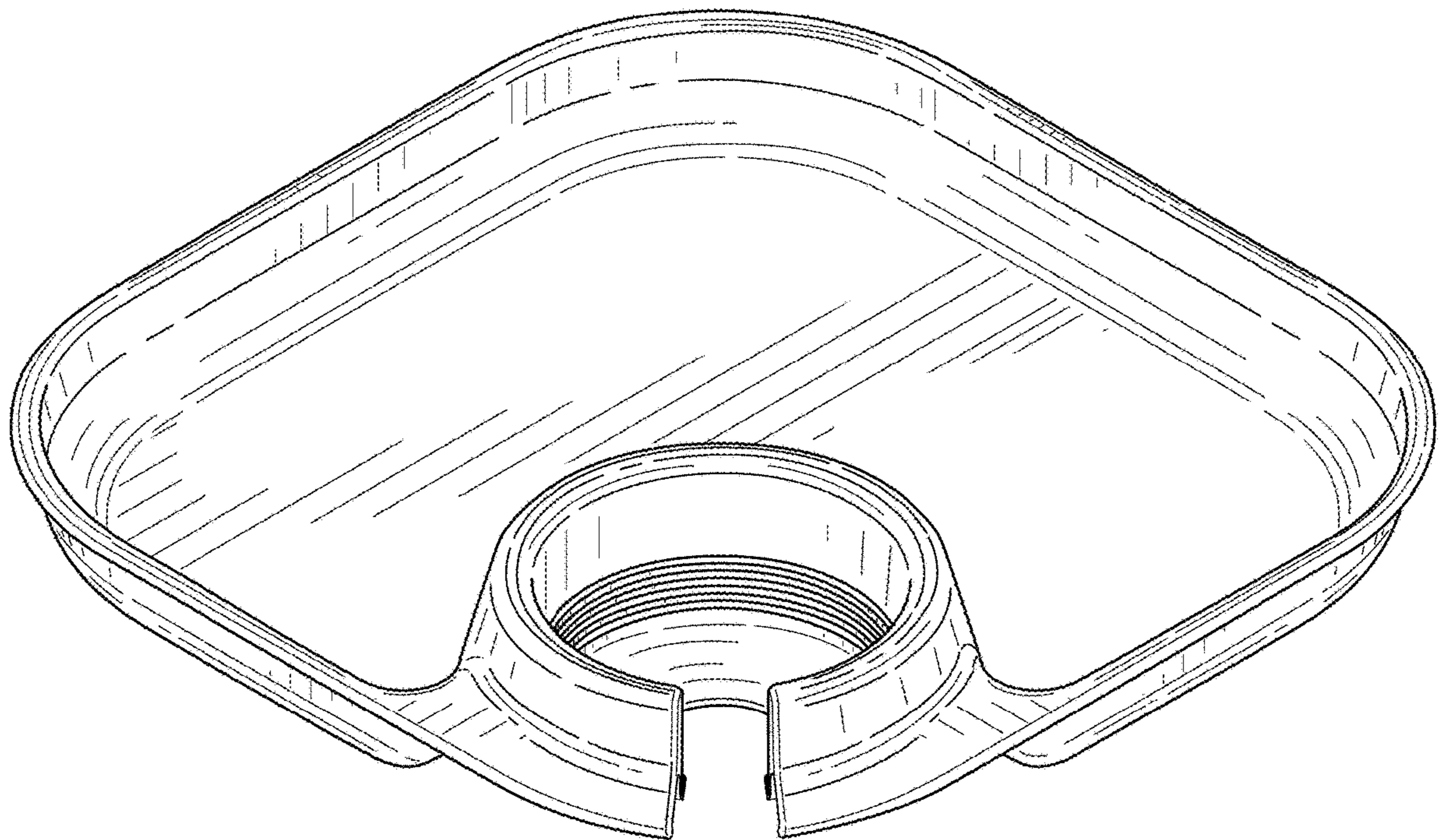


FIG. 2

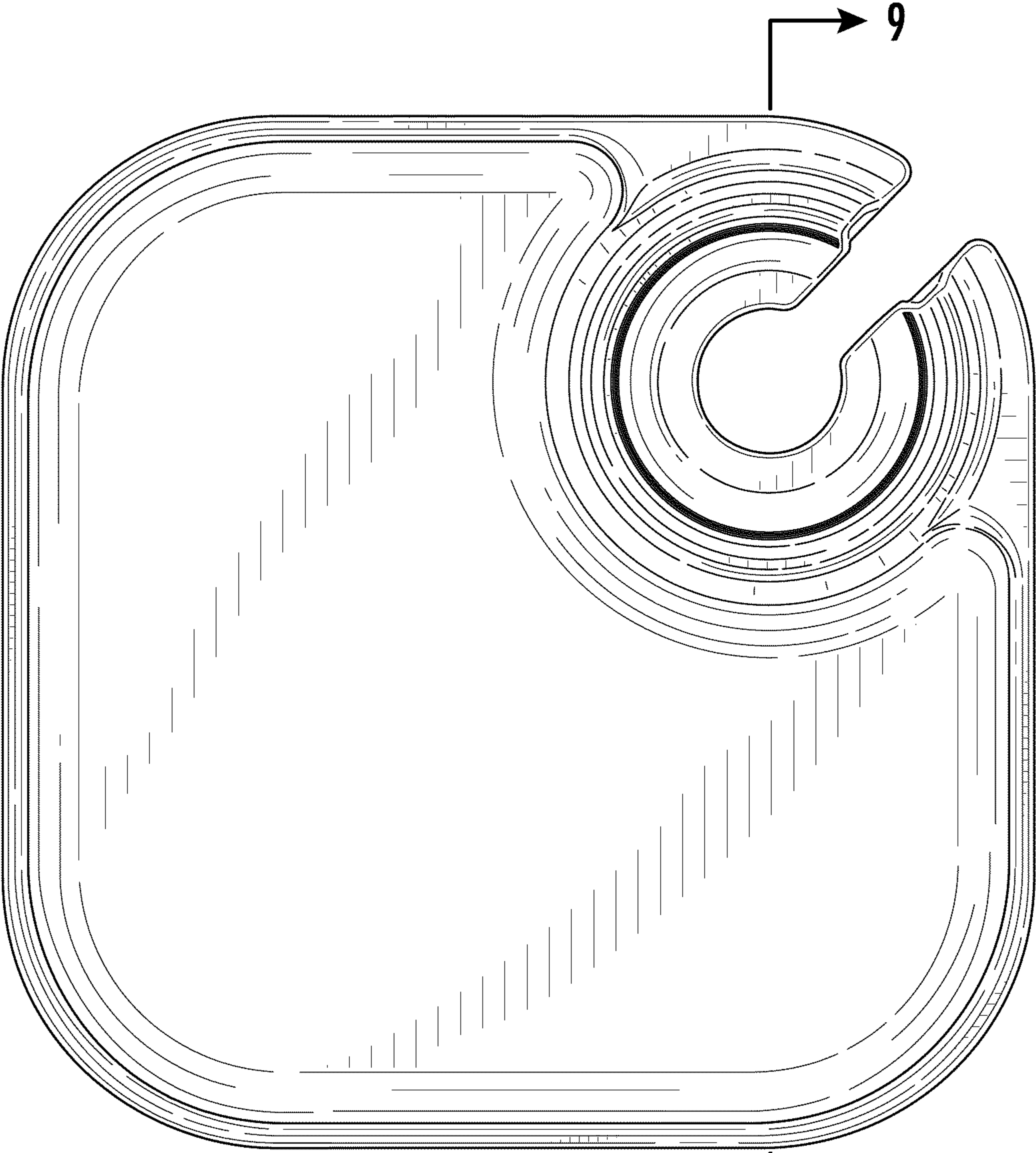


FIG. 3

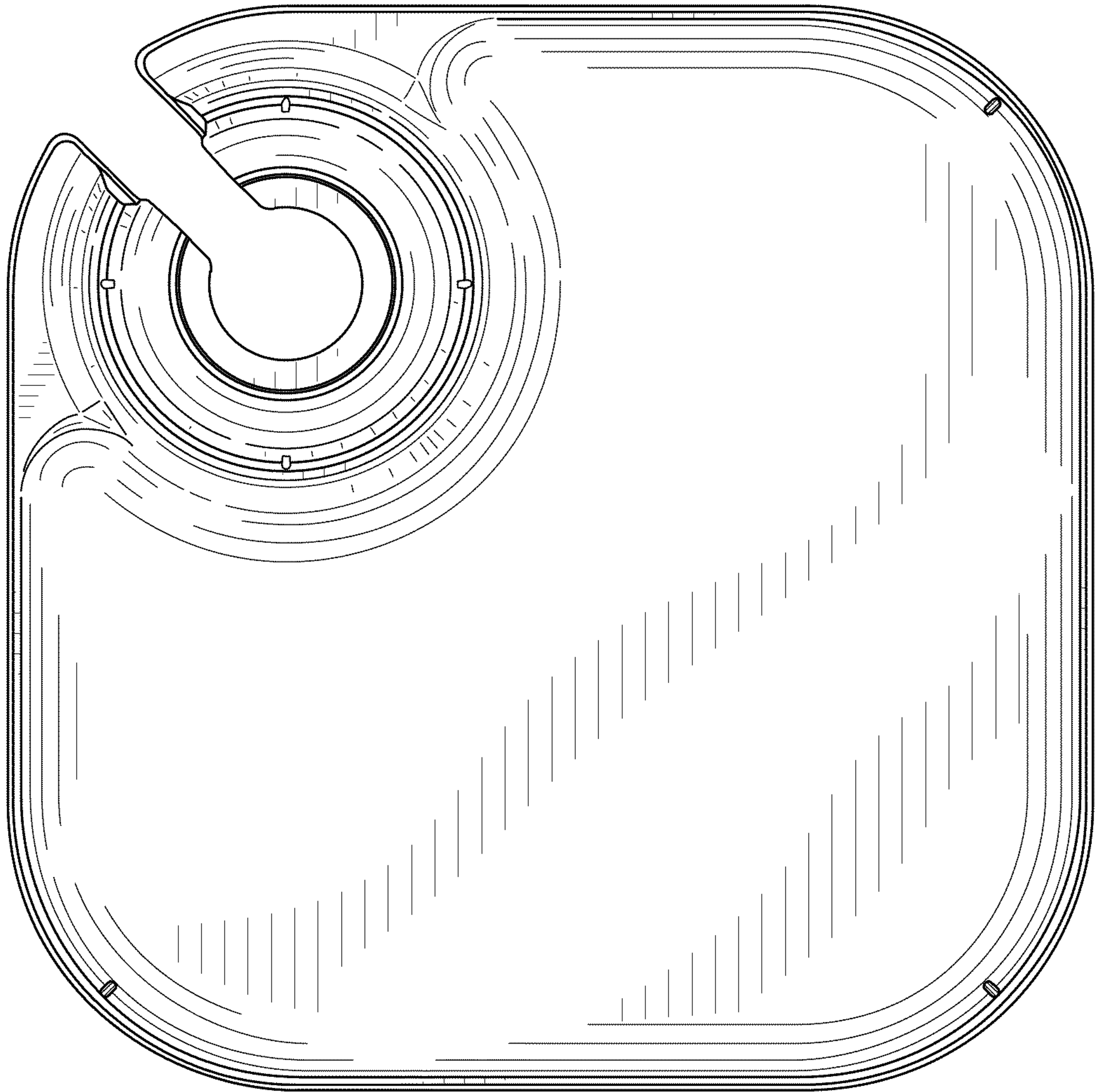


FIG. 4

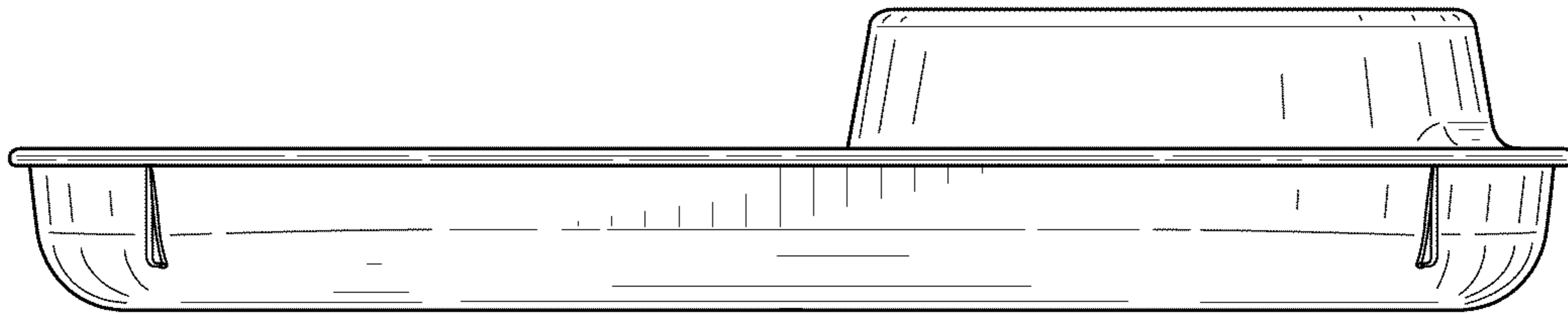


FIG. 5

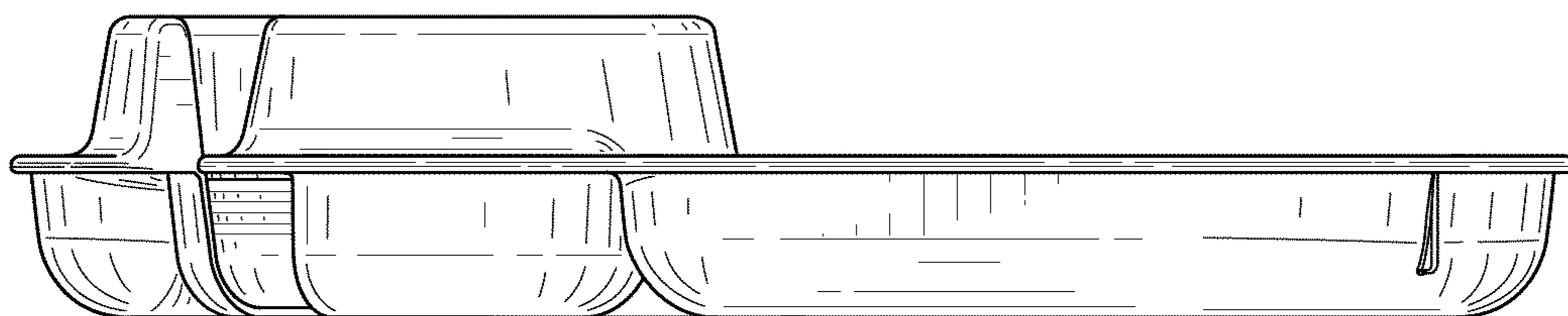


FIG. 6

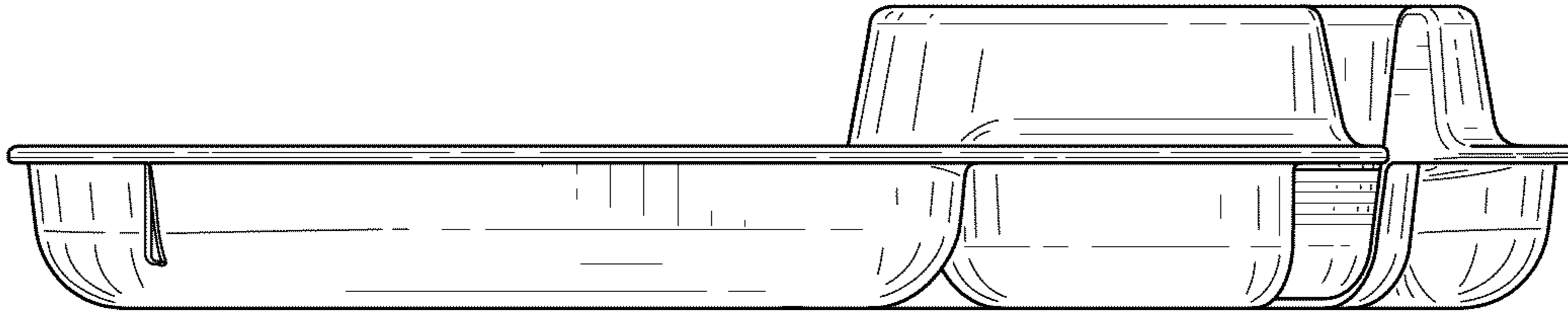


FIG. 7

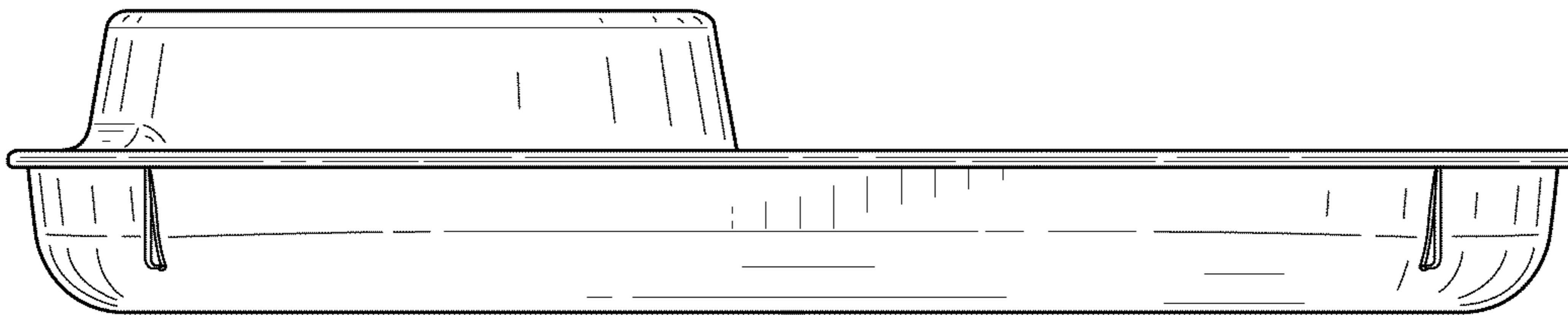


FIG. 8

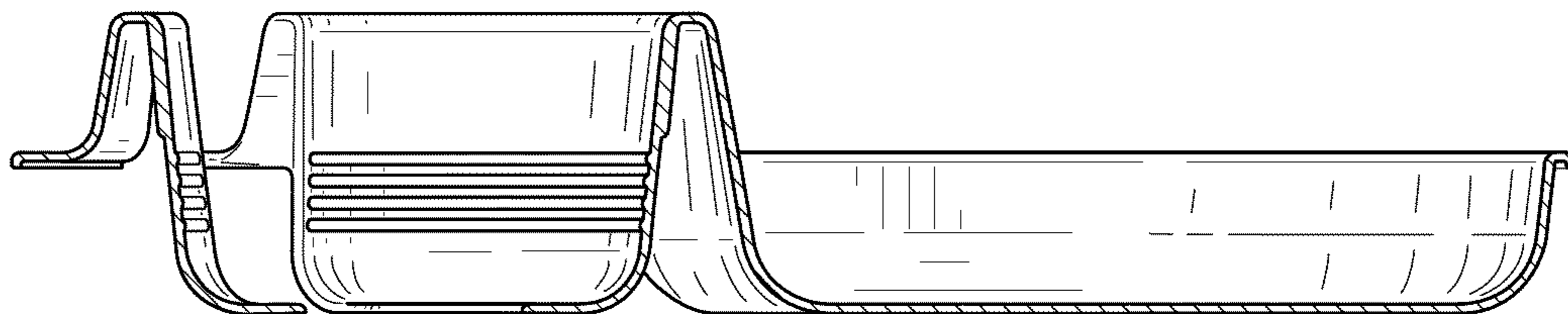


FIG. 9

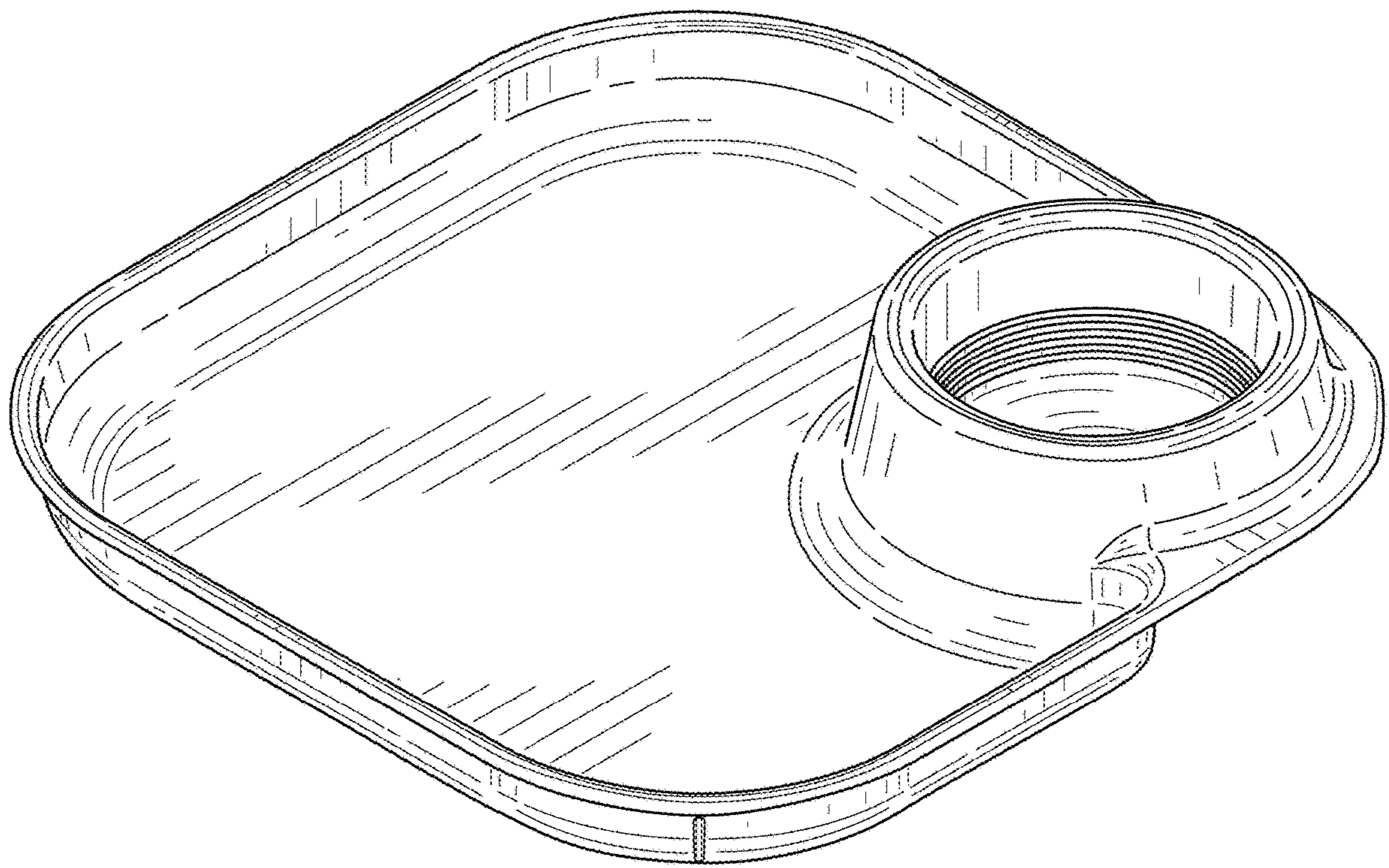


FIG. 10

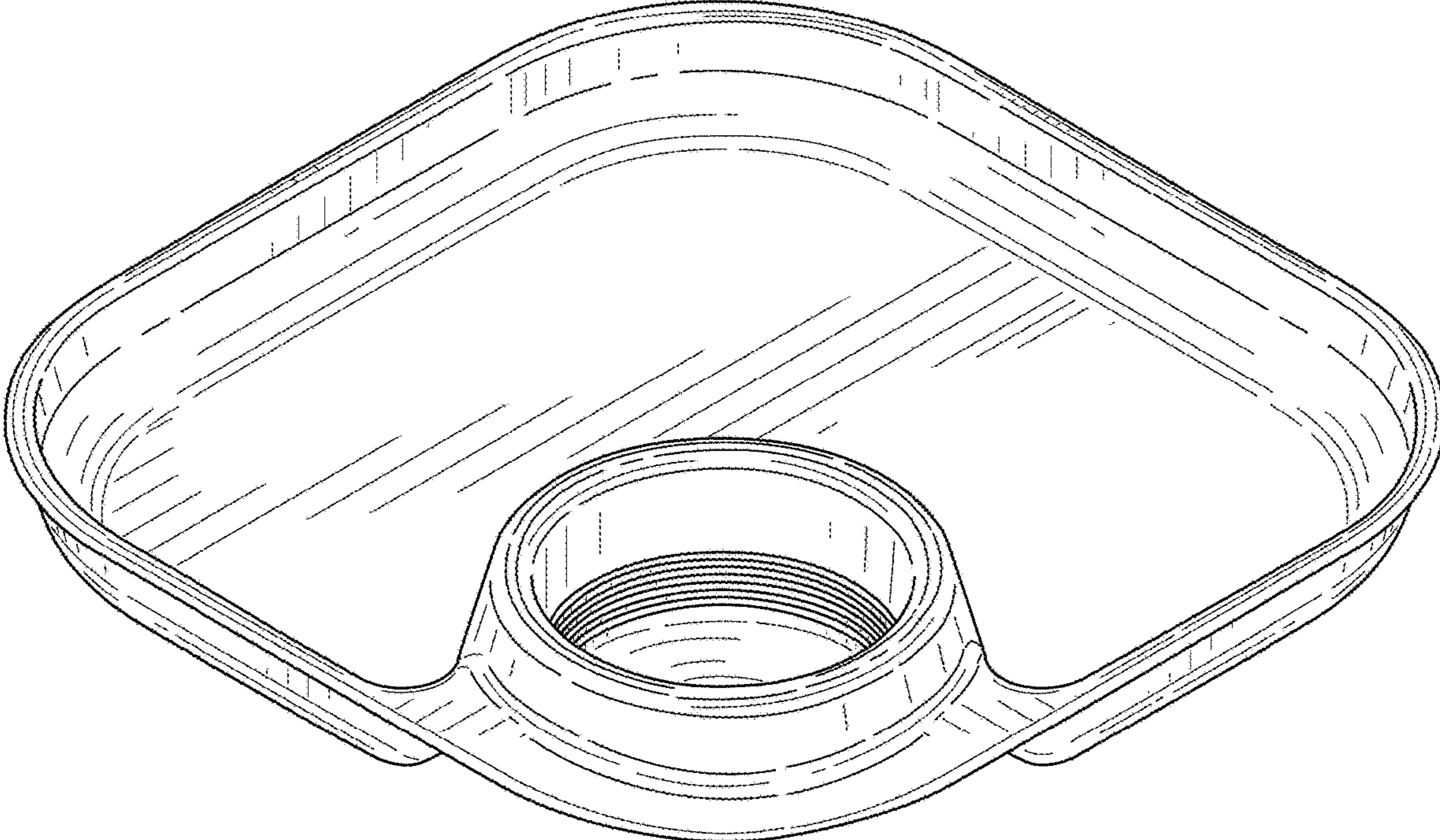


FIG. 11

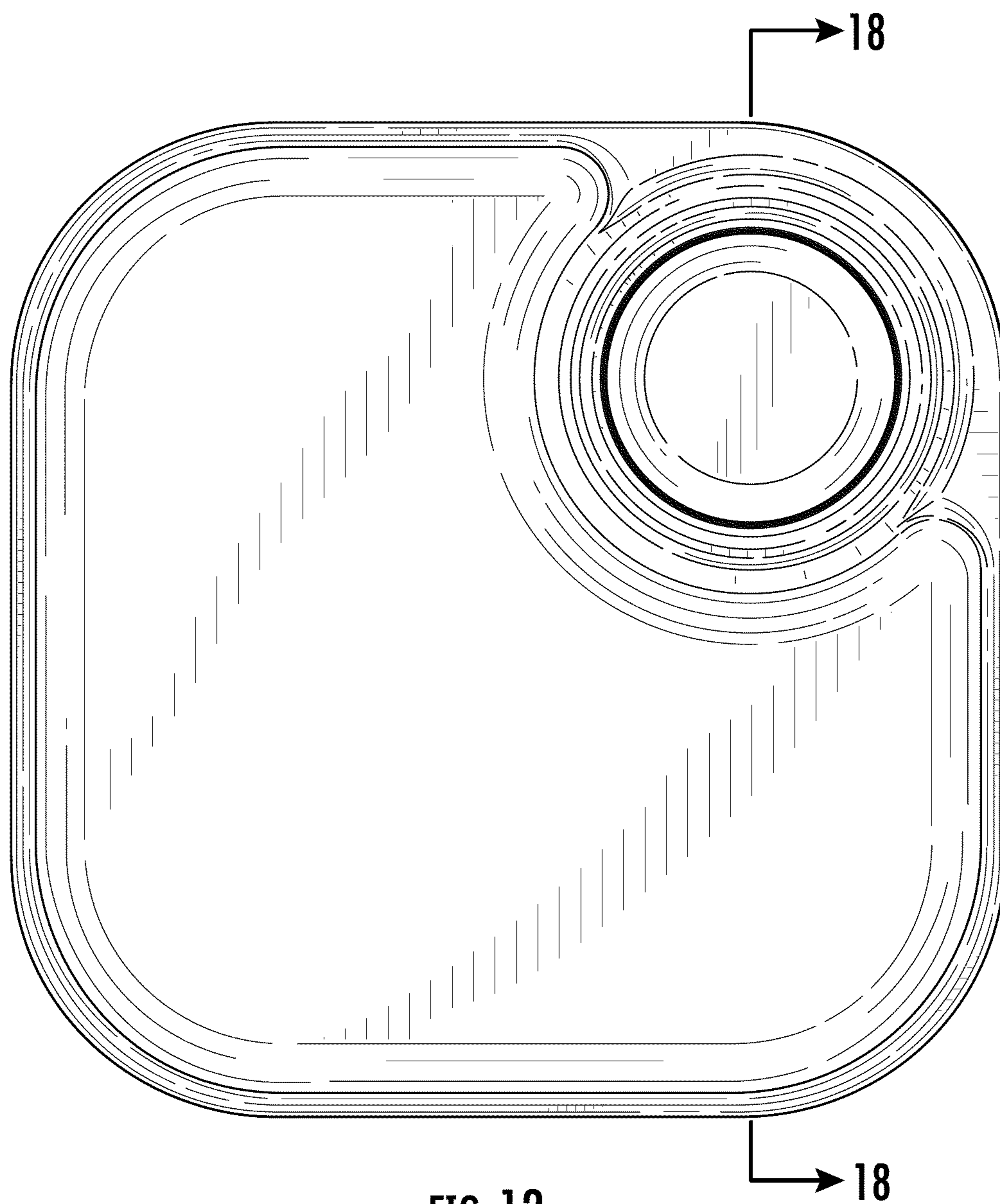


FIG. 12



FIG. 13

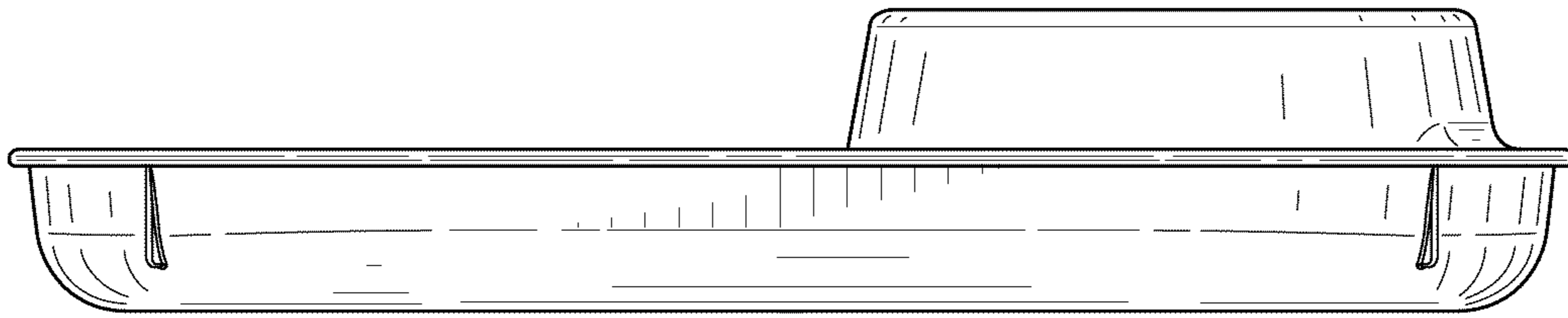


FIG. 14

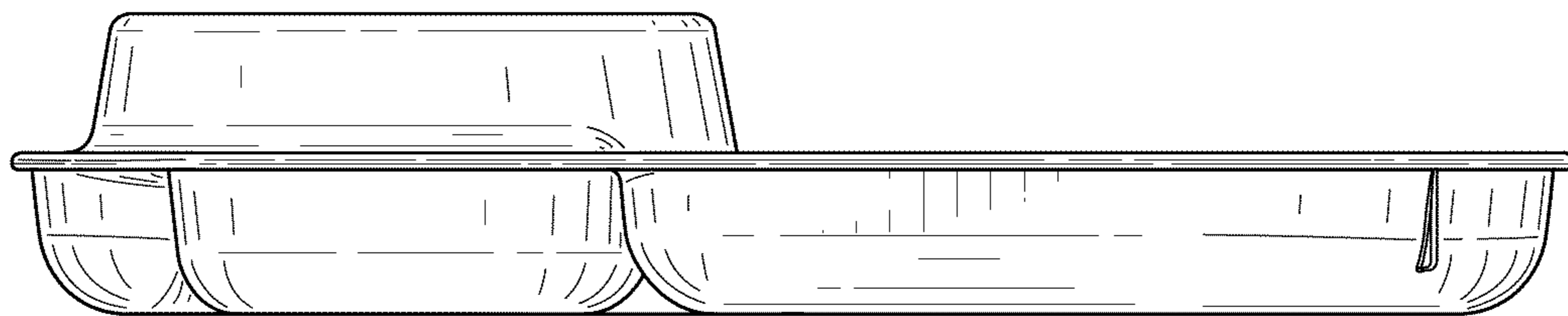


FIG. 15

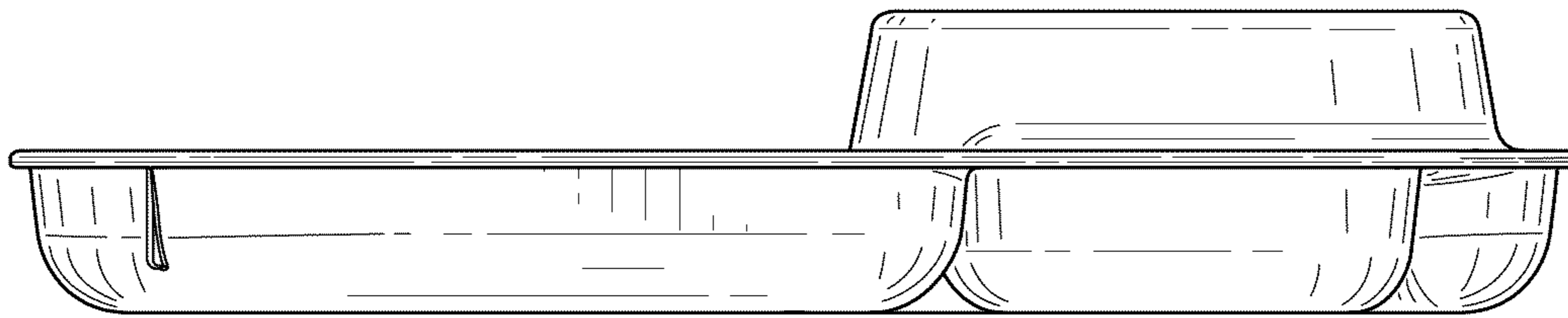


FIG. 16

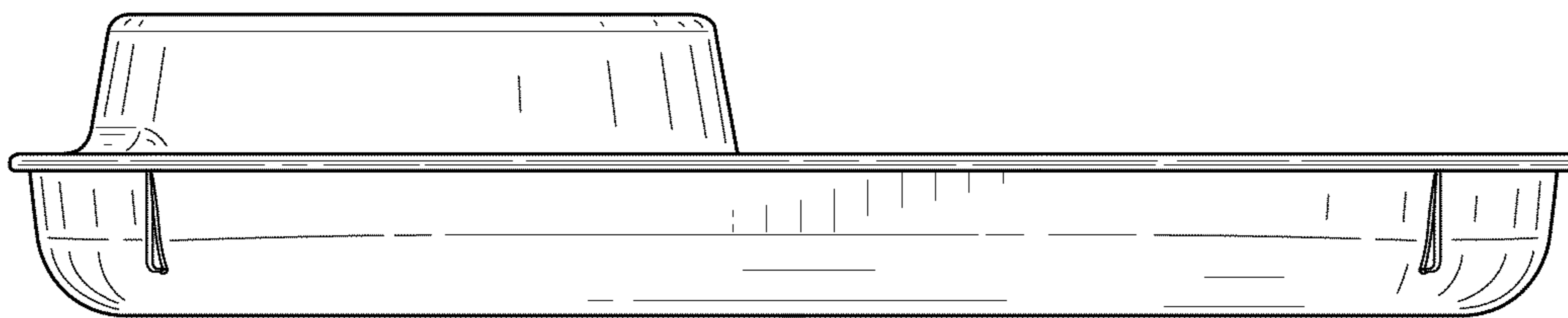


FIG. 17

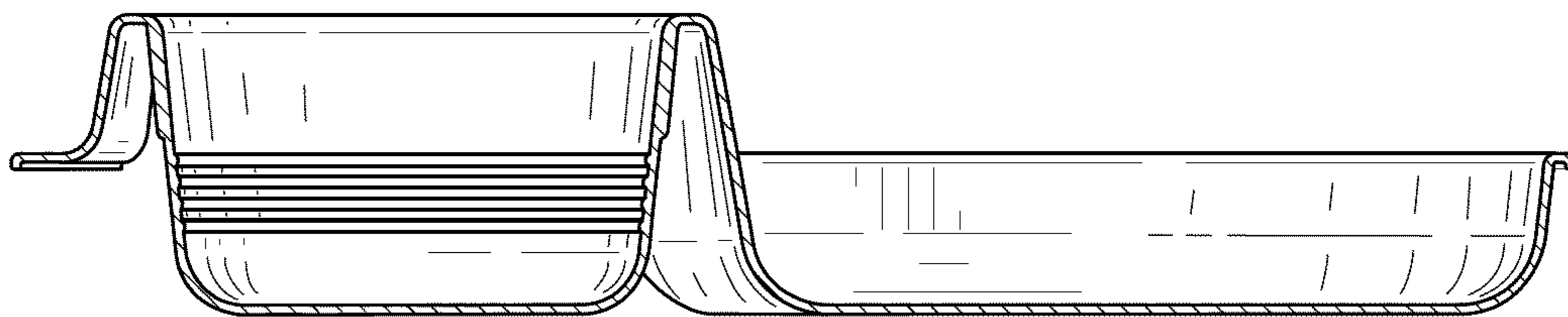


FIG. 18