

US00D925290S

(12) **United States Design Patent**  
**Melanson**

(10) **Patent No.:** **US D925,290 S**  
(45) **Date of Patent:** **\*\* Jul. 20, 2021**

- (54) **BEVERAGE CONTAINER**
- (71) Applicant: **OTTER PRODUCTS, LLC**, Fort Collins, CO (US)
- (72) Inventor: **Christopher J. Melanson**, Fort Collins, CO (US)
- (73) Assignee: **Otter Products, LLC**, Fort Collins, CO (US)
- (\*\*) Term: **15 Years**
- (21) Appl. No.: **29/698,905**
- (22) Filed: **Jul. 22, 2019**
- (51) **LOC (13) Cl.** ..... **07-01**
- (52) **U.S. Cl.**  
USPC ..... **D7/536; D7/533**
- (58) **Field of Classification Search**  
USPC ..... D7/507, 509, 510, 511, 513, 529, 531, D7/532, 523, 533, 534, 535, 536, 392.1, D7/296.1, 396.2, 300.1, 608, 300, 320, D7/624.1, 624.2; D3/202; D9/501, 502, D9/503, 504, 530, 529, 522, 554, 567, D9/571, 569, 449, 516, 523, 524, 543, D9/565, 575  
CPC ..... A47G 19/22; A47G 19/2288; A47G 19/2205; A47G 19/2211; A47J 41/0077; A45F 3/16  
See application file for complete search history.

- 4,518,639 A 5/1985 Phillips
  - D282,234 S 1/1986 Henderson
  - D282,897 S 3/1986 Conti et al.
  - D287,919 S 1/1987 Clements
  - D290,568 S \* 6/1987 Feltman ..... D7/536
  - 4,720,023 A 1/1988 Jeff
  - D298,731 S 11/1988 Cook
  - D321,628 S 11/1991 Kobayashi et al.
  - 5,102,000 A 4/1992 Feltman
- (Continued)

**FOREIGN PATENT DOCUMENTS**

EP 2555658 A1 2/2013

**OTHER PUBLICATIONS**

US D775,903 S, 01/2017, Seiders et al. (withdrawn)  
(Continued)

*Primary Examiner* — Jae Liang

(57) **CLAIM**

The ornamental design for a beverage container, as shown and described.

**DESCRIPTION**

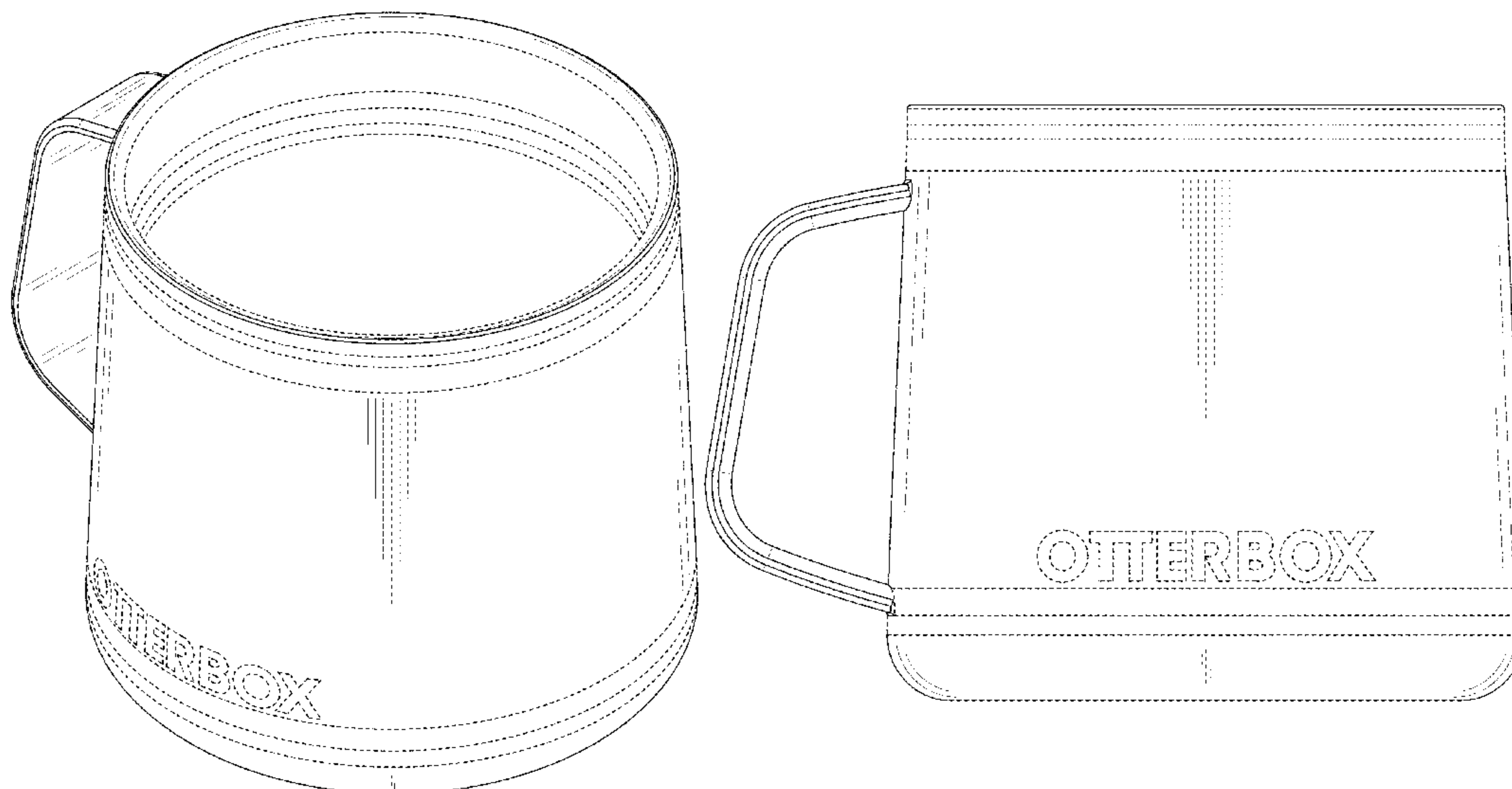
FIG. 1 is a front, top perspective view of a beverage container showing our new design;  
FIG. 2 is a rear, bottom perspective view thereof;  
FIG. 3 is a front view thereof;  
FIG. 4 is a rear view thereof;  
FIG. 5 is a left view thereof;  
FIG. 6 is a right view thereof;  
FIG. 7 is a top view thereof; and,  
FIG. 8 is a bottom view thereof.

The dash-dash broken lines throughout the drawing figures depict portions of the beverage container that form no part of the claimed design. The broken lines and unshaded surfaces bounded by broken lines form no part of the claimed design.

**1 Claim, 8 Drawing Sheets**

(56) **References Cited**  
**U.S. PATENT DOCUMENTS**

- 2,608,841 A 9/1952 Rice
- 2,754,866 A 7/1956 Coltman
- 2,957,596 A 10/1960 Rehborg
- D202,643 S \* 10/1965 Hoyt ..... D7/536
- 3,312,366 A 4/1967 Harry
- 3,356,243 A \* 12/1967 Piker ..... A47J 41/0077  
215/13.1
- D243,911 S \* 4/1977 Thorud ..... D7/536



(56)

References Cited

U.S. PATENT DOCUMENTS

5,249,703	A	10/1993	Karp		D644,489	S	9/2011	Trombly
D346,092	S	* 4/1994	Van De Velde	..... D7/533	D651,847	S	1/2012	Gilbert
D346,718	S	5/1994	Timmermans		D651,852	S	1/2012	George
D355,119	S	2/1995	Zimmermann et al.		D651,855	S	* 1/2012	Elsaden ..... D7/536
5,454,482	A	* 10/1995	Simon	..... A47G 19/2272	D653,521	S	2/2012	Wike
				220/373	D656,360	S	3/2012	Miller et al.
D370,156	S	* 5/1996	Feltman, III	..... D7/511	D656,820	S	4/2012	Willows et al.
D371,304	S	7/1996	Onneweer		D657,196	S	4/2012	Beyers
D375,019	S	10/1996	Goto et al.		D658,006	S	4/2012	Yao
5,570,797	A	11/1996	Yeh		D659,007	S	5/2012	Pape
D385,956	S	11/1997	Doughty et al.		D660,648	S	5/2012	Gilbert
D390,462	S	2/1998	Mao		8,191,727	B2	6/2012	Davies et al.
D394,187	S	* 5/1998	Orrico	..... D7/509	8,251,247	B1	8/2012	Breckner
D403,079	S	12/1998	Pawlak et al.		8,313,644	B2	11/2012	Harris et al.
5,909,821	A	6/1999	Guridi		D672,198	S	12/2012	Soltz et al.
D411,954	S	7/1999	Williamson		D672,618	S	12/2012	Stamper et al.
D415,651	S	10/1999	Trombly		D672,648	S	12/2012	Goto et al.
6,059,140	A	5/2000	Hicks		D675,059	S	1/2013	Carreno
6,076,699	A	* 6/2000	Seager	..... A47G 19/22	D682,034	S	5/2013	El-Saden et al.
				215/396	8,469,226	B2	6/2013	Davies et al.
D429,118	S	8/2000	Hurlbut		D686,871	S	7/2013	Lane
D441,288	S	5/2001	Pillers et al.		D689,331	S	9/2013	Staton
D450,583	S	11/2001	Freed		D690,556	S	10/2013	Boroski
D450,982	S	11/2001	Gaze et al.		D690,988	S	10/2013	Audette
6,324,966	B1	12/2001	Joergensen		8,602,238	B2	12/2013	El-Saden et al.
D453,472	S	2/2002	Kwong		D697,798	S	1/2014	Sorensen et al.
D455,052	S	4/2002	Gullickson et al.		8,622,237	B2	1/2014	Choi et al.
D455,612	S	4/2002	Gullickson et al.		D699,996	S	2/2014	Leo
6,422,133	B1	7/2002	Brady		D700,012	S	2/2014	Hurley et al.
D476,859	S	7/2003	Short		D700,802	S	3/2014	Miller
D479,800	S	9/2003	McRae		D702,092	S	4/2014	Mettler et al.
6,626,326	B2	9/2003	Murakami		8,695,830	B2	4/2014	Meyers et al.
D482,607	S	11/2003	McRae		D707,124	S	6/2014	Blain et al.
D483,226	S	12/2003	Belton et al.		8,777,048	B2	7/2014	Choi et al.
D488,960	S	4/2004	Wahl et al.		D712,254	S	9/2014	Geis et al.
6,763,964	B1	7/2004	Hurlbut et al.		D712,720	S	9/2014	Seiders
6,797,304	B2	9/2004	McGonagle		D712,721	S	9/2014	Seiders
D500,633	S	1/2005	Sands		D712,722	S	9/2014	Seiders
D505,294	S	5/2005	Gauss		D712,723	S	9/2014	Seiders
7,011,227	B2	3/2006	Ward et al.		D714,125	S	9/2014	Seiders
D519,835	S	5/2006	Dubs et al.		8,844,762	B2	9/2014	Chiou et al.
D524,909	S	7/2006	Bakke et al.		D714,584	S	10/2014	Boroski
D533,032	S	12/2006	Liu et al.		D716,657	S	11/2014	Caneer
D546,178	S	7/2007	McClain		D719,827	S	12/2014	Duran et al.
D547,607	S	7/2007	Forsman		D720,217	S	12/2014	Oates et al.
D547,610	S	7/2007	Edelstein et al.		8,905,252	B2	12/2014	Latham et al.
D548,012	S	8/2007	Tien		8,910,819	B2	12/2014	Seiders
D564,841	S	3/2008	Clemens et al.		8,939,305	B2	1/2015	Meyers et al.
D569,191	S	* 5/2008	Germany	..... D7/509	D722,474	S	2/2015	Seiders
D570,213	S	6/2008	Newman		D722,475	S	2/2015	Seiders
D572,981	S	7/2008	Carreno		D723,918	S	3/2015	Karl et al.
D574,192	S	8/2008	Schösser		D725,966	S	4/2015	Boroski et al.
D582,767	S	12/2008	Batton et al.		D727,097	S	4/2015	Sorensen et al.
D584,569	S	1/2009	Buchman et al.		D727,457	S	4/2015	Seiders
D584,925	S	1/2009	Buchman et al.		D729,579	S	5/2015	Molayem
D587,533	S	3/2009	Carreno		D731,614	S	6/2015	Seiders
D592,906	S	5/2009	Allen et al.		D732,348	S	6/2015	Seiders et al.
7,533,783	B2	5/2009	Choi et al.		D732,349	S	6/2015	Seiders et al.
D597,816	S	8/2009	Thompson		D732,350	S	6/2015	Seiders et al.
7,578,231	B2	8/2009	Liu		D732,392	S	6/2015	Duran et al.
D604,984	S	12/2009	Kalamaras		D732,899	S	6/2015	Seiders et al.
D605,040	S	12/2009	Fry et al.		D733,497	S	7/2015	Sorensen et al.
D621,257	S	8/2010	Gullickson et al.		D734,150	S	7/2015	Rigel
D622,089	S	8/2010	Daniel et al.		D736,622	S	8/2015	Nishijima et al.
D623,480	S	9/2010	Moran		9,107,541	B2	8/2015	Bodum
D623,481	S	9/2010	Moran		9,113,698	B2	8/2015	Blain et al.
D623,896	S	9/2010	Wahl et al.		D739,174	S	9/2015	Elsaden et al.
D626,837	S	11/2010	Meyers et al.		9,139,352	B2	9/2015	Seiders et al.
D628,018	S	11/2010	Gilbert		D740,605	S	10/2015	Wodka et al.
D630,093	S	1/2011	Bardet		D742,684	S	11/2015	Hurley et al.
D631,284	S	1/2011	Fuller		D743,269	S	11/2015	PapÉ
D632,522	S	2/2011	Wahl et al.		9,187,232	B2	11/2015	Seiders
D634,160	S	3/2011	Cetera		D748,942	S	2/2016	Boroski et al.
D639,177	S	6/2011	Pape		D751,338	S	3/2016	Seiders et al.
D644,060	S	8/2011	Komeiji		D751,339	S	3/2016	Seiders et al.
					D751,340	S	3/2016	Seiders et al.
					D751,341	S	3/2016	Seiders et al.
					D752,347	S	3/2016	Seiders et al.
					D752,397	S	3/2016	Seiders et al.



(56)

References Cited

U.S. PATENT DOCUMENTS

D752,434 S	3/2016	Willows et al.	D792,215 S	7/2017	Eyal
D752,976 S	4/2016	Koffel et al.	D792,216 S	7/2017	Breit et al.
D753,482 S	4/2016	Serrano et al.	9,694,953 B2	7/2017	Meyers et al.
D754,483 S	4/2016	Elsaden et al.	D793,165 S	8/2017	Rummel et al.
D754,486 S	4/2016	Ott	D794,397 S	8/2017	Seiders et al.
D757,496 S	5/2016	Julier et al.	D795,007 S	8/2017	Plassmeyer
9,351,597 B2	5/2016	Liu et al.	D795,008 S	8/2017	Eyal
D758,127 S	6/2016	Zhao	D795,012 S	8/2017	Rummel et al.
D758,137 S	6/2016	Soltz et al.	D795,013 S	8/2017	Shultz et al.
D758,791 S	6/2016	Hanna et al.	D795,019 S	8/2017	Seiders et al.
D758,792 S	6/2016	Karussi	D795,020 S	8/2017	Seiders et al.
D758,859 S	6/2016	Sorensen et al.	D795,646 S	8/2017	Sorensen et al.
D759,485 S	6/2016	Boroski et al.	D798,105 S	9/2017	Stover et al.
D760,026 S	6/2016	Smith et al.	9,771,189 B2	9/2017	Miksovsky et al.
D760,586 S	7/2016	Seiders et al.	D798,668 S	10/2017	Steel et al.
D761,060 S *	7/2016	Thonis ..... D7/536	D799,275 S *	10/2017	Thonis ..... D7/536
D761,609 S	7/2016	Gamelli et al.	D799,320 S	10/2017	Goodwin et al.
D761,619 S	7/2016	Seiders et al.	D799,906 S	10/2017	Seiders et al.
D761,648 S	7/2016	Karl et al.	D799,907 S	10/2017	Seiders et al.
D762,117 S	7/2016	Joseph et al.	D799,908 S	10/2017	Seiders et al.
9,387,961 B2	7/2016	Mithal	D800,501 S	10/2017	Rummel et al.
D762,418 S	8/2016	Sorensen et al.	D801,046 S	10/2017	Bores
D763,076 S	8/2016	Lane et al.	D801,111 S	10/2017	Eyal
D764,787 S	8/2016	Montminy	9,776,777 B2	10/2017	Gorbold
D766,029 S	9/2016	Lin	9,782,028 B2	10/2017	Davies et al.
D766,652 S	9/2016	Joseph et al.	D801,746 S	11/2017	Thuma et al.
D766,668 S	9/2016	Garcia	D802,419 S	11/2017	Seiders et al.
D767,328 S	9/2016	Boroski et al.	D802,994 S	11/2017	Seiders et al.
D768,437 S	10/2016	Lane	D803,619 S	11/2017	Seiders et al.
D769,046 S	10/2016	Beckman et al.	D803,632 S	11/2017	Seiders et al.
9,456,710 B2	10/2016	Blain et al.	D803,684 S	11/2017	Seiders et al.
9,462,904 B2	10/2016	Coon et al.	D804,254 S	12/2017	Seiders et al.
D770,222 S	11/2016	Boroski et al.	D804,255 S	12/2017	Seiders et al.
D771,439 S *	11/2016	Miller ..... D7/523	D804,256 S	12/2017	Seiders et al.
D771,990 S	11/2016	Horowitz	D804,905 S	12/2017	Seiders et al.
D772,064 S	11/2016	Boroski et al.	D804,910 S	12/2017	Steel et al.
D772,651 S	11/2016	Leonard et al.	D805,354 S	12/2017	Bielawski
9,505,527 B1	11/2016	Campbell	D805,852 S	12/2017	Seiders et al.
D774,359 S	12/2016	Boroski	D807,110 S	1/2018	Lown
D774,363 S	12/2016	Seiders et al.	D807,125 S	1/2018	Seiders et al.
D774,837 S	12/2016	Seiders et al.	D807,126 S	1/2018	Seiders et al.
9,521,918 B2	12/2016	Coon et al.	D808,218 S	1/2018	Seiders et al.
D775,892 S	1/2017	Smith	D808,713 S	1/2018	Rane et al.
D777,508 S	1/2017	Goodwin et al.	D809,344 S	2/2018	Guthrie
D778,725 S	2/2017	Sorensen et al.	D809,924 S	2/2018	Miros
D779,285 S	2/2017	Seiders et al.	D811,162 S	2/2018	Rane et al.
D779,891 S	2/2017	Seiders et al.	D812,432 S	3/2018	Seiders et al.
D779,892 S	2/2017	Seiders et al.	D812,970 S	3/2018	Rane et al.
D780,530 S	3/2017	Seiders et al.	D812,979 S	3/2018	Seiders et al.
D780,531 S	3/2017	Seiders et al.	D813,593 S	3/2018	Cornu et al.
D780,532 S	3/2017	Seiders et al.	9,908,687 B2	3/2018	Chiou et al.
D780,533 S	3/2017	Seiders et al.	D814,243 S *	4/2018	Pape ..... D7/536
D780,577 S	3/2017	Seiders et al.	D814,852 S	4/2018	Melanson et al.
D781,145 S	3/2017	Seiders et al.	D814,853 S	4/2018	Melanson et al.
D781,146 S	3/2017	Seiders et al.	D814,854 S	4/2018	Melanson et al.
D781,662 S	3/2017	Seiders et al.	D814,928 S	4/2018	Seiders et al.
D782,881 S	4/2017	Seiders et al.	D816,397 S	5/2018	Karl et al.
D783,367 S	4/2017	Seiders et al.	D816,493 S	5/2018	Seiders et al.
D783,368 S	4/2017	Seiders et al.	D817,084 S	5/2018	Hammer
D784,775 S	4/2017	Seiders et al.	D817,085 S	5/2018	Davis
D786,025 S	5/2017	Seiders et al.	D817,683 S	5/2018	Melanson et al.
D786,072 S	5/2017	Breit et al.	D818,312 S	5/2018	Burns et al.
D787,893 S	5/2017	Seiders et al.	D819,396 S	6/2018	Seiders et al.
D787,894 S	5/2017	Seiders et al.	D820,650 S	6/2018	Seiders et al.
9,637,270 B2	5/2017	Campbell	D822,428 S	7/2018	Thuma et al.
D788,527 S	6/2017	Smith et al.	D823,068 S	7/2018	Seiders et al.
D788,544 S	6/2017	Seiders et al.	D823,069 S	7/2018	Seiders et al.
D789,737 S	6/2017	Eyal	D824,214 S *	7/2018	Albers ..... D7/523
D790,276 S *	6/2017	Lane ..... D7/507	D824,721 S	8/2018	Hu
D790,285 S	6/2017	Seiders et al.	D825,332 S	8/2018	Miksovsky et al.
D790,920 S	7/2017	Goodwin et al.	D827,363 S	9/2018	Matsui
D791,532 S	7/2017	Yao	D828,722 S	9/2018	Davis
D791,542 S	7/2017	Miksovsky et al.	D831,414 S	10/2018	Diener et al.
D791,543 S	7/2017	Mulhauser et al.	D831,436 S	10/2018	Seiders et al.
D791,549 S	7/2017	Goodwin et al.	D834,368 S	11/2018	Oas
			D834,376 S	11/2018	Melanson et al.
			D834,882 S	12/2018	Seiders et al.
			D834,892 S	12/2018	Melanson et al.
			D836,386 S	12/2018	Ayriss et al.



(56)

References Cited

U.S. PATENT DOCUMENTS

D836,396	S	12/2018	Melanson et al.	
D836,974	S	1/2019	Seiders et al.	
D839,049	S	1/2019	Seiders et al.	
D839,054	S	1/2019	Rane et al.	
D839,055	S	1/2019	Rane et al.	
D842,027	S	3/2019	Boroski	
D842,028	S	3/2019	Melanson et al.	
D842,104	S	3/2019	Ke	
D843,212	S	3/2019	Seiders et al.	
D846,185	S *	4/2019	Shotwell	D27/118
D853,197	S *	7/2019	Kestenbaum	D7/536
D882,343	S *	4/2020	Rane	D7/536
D883,748	S *	5/2020	Rostohar	D7/533
2003/0159245	A1	8/2003	Harman	
2005/0046211	A1	3/2005	Nole et al.	
2006/0016819	A1	1/2006	Paslawski et al.	
2007/0114236	A1	5/2007	Shiffer et al.	
2007/0175931	A1	8/2007	Leoncavallo et al.	
2007/0240580	A1	10/2007	Lusareta et al.	
2008/0011762	A1	1/2008	Boone	
2008/0017654	A1	1/2008	Chu	
2008/0087624	A1	4/2008	Buckley	
2009/0236341	A1	9/2009	McKinney et al.	
2010/0288782	A1	11/2010	Lin	
2011/0147421	A1	6/2011	Pedrol	
2011/0278216	A1	11/2011	Hull et al.	
2012/0145713	A1	6/2012	Jung	
2012/0152968	A1	6/2012	Bailey	
2012/0168441	A1	7/2012	Lane	
2013/0043263	A1	2/2013	Yang	
2013/0119060	A1	5/2013	Chiou et al.	
2013/0240549	A1	9/2013	Beggins et al.	
2014/0061208	A1	3/2014	Boyd	
2014/0360908	A1	12/2014	Sorensen et al.	
2015/0041500	A1	2/2015	Ismail	
2016/0153690	A1	6/2016	Patsis et al.	
2016/0244217	A1	8/2016	Maple et al.	
2016/0270602	A1	9/2016	Casey	
2016/0318693	A1	11/2016	Hein et al.	
2017/0119212	A1	5/2017	Petrillo et al.	
2017/0121073	A1	5/2017	Seiders et al.	
2017/0129665	A1	5/2017	Rolfes	
2017/0253392	A1	9/2017	Bann	
2017/0253396	A1	9/2017	Coon et al.	
2018/0009576	A1	1/2018	Sullivan et al.	
2020/0121103	A1 *	4/2020	Cheng	A47G 19/2205

OTHER PUBLICATIONS

<https://www.amazon.com/dp/B01MYRYW4P?tag=kitchenlittlehelpers-20> (Year: 2016).\*

[https://www.amazon.com/Sissiangle-Stainless-Measuring-Frothing-Pitcher/dp/B01H1TAP7K/ref=sr\\_1\\_26?dchild=1&keywords=tapered+milk+pitcher&qid=1600806527&sr=8-26](https://www.amazon.com/Sissiangle-Stainless-Measuring-Frothing-Pitcher/dp/B01H1TAP7K/ref=sr_1_26?dchild=1&keywords=tapered+milk+pitcher&qid=1600806527&sr=8-26) (Year: 2016).\*

[https://www.amazon.com/Otterbox-Elevation-Tumbler-Closed-Baked/dp/B07V6N62FV/ref=sr\\_1\\_1?dchild=1&keywords=otterbox+camp+mug&qid=1600809386&sr=8-1](https://www.amazon.com/Otterbox-Elevation-Tumbler-Closed-Baked/dp/B07V6N62FV/ref=sr_1_1?dchild=1&keywords=otterbox+camp+mug&qid=1600809386&sr=8-1) (Year: 2019).\*

[https://www.amazon.com/Bosmarlin-Glossy-Ceramic-Dishwasher-Microwave/dp/B07XY9MWGJ?pd\\_rd\\_w=dWzHf&pf\\_rd\\_p=c5b6893a-24f2-4a59-9d4b-aff5065c90ec&pf\\_rd\\_r=VSR4T7J57CDDPZSVG5XF&pd\\_rd\\_r=e84bb779-6b91-4538-8d11-f474ae192763&pd\\_rd\\_wg=AiiP0](https://www.amazon.com/Bosmarlin-Glossy-Ceramic-Dishwasher-Microwave/dp/B07XY9MWGJ?pd_rd_w=dWzHf&pf_rd_p=c5b6893a-24f2-4a59-9d4b-aff5065c90ec&pf_rd_r=VSR4T7J57CDDPZSVG5XF&pd_rd_r=e84bb779-6b91-4538-8d11-f474ae192763&pd_rd_wg=AiiP0) (Year: 2019).\*

Amazon website, OtterBox Elevation Growler.

amazon.com, “Silver Buffalo 20 oz Stainless Steel Tumbler, Red,” dated Dec. 22, 2016, downloaded from <https://www.amazon.com/Silver-Buffalo-Stainless-Steel-Tumbler/dp/B01MT1T7WG> Jun. 13, 2018, 1 page.

Bar Products. Nuance Stainless Steel Cocktail Shaker. 2018 [earliest online date], [site visited Jan. 29, 2018]. Available from Internet, <<https://www.barproducts.com/nuance-stainless-steel-cocktail-shaker-16-9-oz>>. (Year: 2018).

Brittany A. Roston, Slash Gear, “Venture Coolers are like the camping version of OtterBox phone cases,” May 9, 2017, downloaded from <https://www.slashgear.com/venture-coolers-are-like-the-camping-version-of-otterbox-phone-cases-09484519/>, 5 pages.

Custom Tumbler Shop. 30 oz. SIC Cocktail Shaker Lid. Jan. 12, 2017 [earliest online date], [site visited Jan. 29, 2018]. Available from Internet, <https://customtumblersshop.com/sic-30-oz-cocktail-shaker-lid>>. (Year: 2017).

Genuine Thermos Brand, Mugs & Tumblers, downloaded from [http://www.thermos.com/product\\_catalog.aspx?CatCode=MUGS](http://www.thermos.com/product_catalog.aspx?CatCode=MUGS) May 8, 2017, 5 pages.

Hydro Flask, “12 oz Coffee Mug,” downloaded from <https://www.hydroflask.com/12-oz-coffee-mug/color,black,a,92,p,20> Jul. 22, 2019, 4 pages.

Kevin Curry, Gear & Grit, “OtterBox Just Beat Yeti at Its own Game with Their Venture Line of Coolers,” downloaded from <https://gearandgrit.com/otterbox-venture-cooler/> May 9, 2017, 5 pages.

Liquid Logic, “Pro32: Double Wall, Insulated Vacuum, Condensation Free Tumbler,” dated Apr. 5, 2016, downloaded from [www.amazon.com/Pro32-Insulated-Condensation-Tumbler-Stainless/dp/B01DUBM6CO/ref=lp\\_2595554011\\_1\\_?srs=2595554011&ie=UTF8](http://www.amazon.com/Pro32-Insulated-Condensation-Tumbler-Stainless/dp/B01DUBM6CO/ref=lp_2595554011_1_?srs=2595554011&ie=UTF8) Jun. 13, 2018, 1 page.

Ninja, “Ninja Single Serve Cup Set,” dated Jul. 13, 2013, downloaded from [https://www.amazon.com/...UTF8&pd\\_rd\\_i=B011IW4XD8&pd\\_rd\\_r=4CQK27ABX6AHV038GMGF&pd\\_rd\\_w=jABEu&pd\\_rd\\_wg=zgOK2&psc=1](https://www.amazon.com/...UTF8&pd_rd_i=B011IW4XD8&pd_rd_r=4CQK27ABX6AHV038GMGF&pd_rd_w=jABEu&pd_rd_wg=zgOK2&psc=1) on Mar. 9, 2017, 3 pages.

Otter Products, Inc, OtterBox Outdoor Venture Coolers and Elevation Tumblers, downloaded from <http://www.otterbox.com/en-us/outdoor-coming-soon-html> May 9, 2017, 2 pages.

Otterbox, “Elevation 10 & 20 Closed Lid,” downloaded from [https://www.otterbox.com/en-us/elevation-10-20/closed-lid/78-51779.html?KPID=78-51779.html?KPID=78-51779&scid=?eml\\_pop=no&gclid=Cj0KCCQiAtvPjBRDPARIsAJfZz0pvo6AuVi-907IIGN3Ldy\\_bZz8-o](https://www.otterbox.com/en-us/elevation-10-20/closed-lid/78-51779.html?KPID=78-51779.html?KPID=78-51779&scid=?eml_pop=no&gclid=Cj0KCCQiAtvPjBRDPARIsAJfZz0pvo6AuVi-907IIGN3Ldy_bZz8-o) Mar. 4, 2019, 1 page.

OtterBox, “OtterBox Elevation Tumbler (20oz),” dated Jul. 10, 2018, downloaded from <https://www.amazon.com/OtterBox-Elevation-Tumbler-Global-Stainless/dp/BOOZ7RVVN6> Dec. 15, 2018, 1 page.

Otterbox, “OtterBox Elevation Tumbler with Flip Lid (20 oz),” dated Aug. 30, 2018, downloaded from [https://www.amazon.com/Otterbox-Elevation-Tumbler-Flip-Lid/dp/B07DHX4NS9/ref=sr\\_3?ie=UTF8&qid=1549297189&sr=8-3&keywords=Elevation+20+Tumbler](https://www.amazon.com/Otterbox-Elevation-Tumbler-Flip-Lid/dp/B07DHX4NS9/ref=sr_3?ie=UTF8&qid=1549297189&sr=8-3&keywords=Elevation+20+Tumbler) Feb. 4, 2019, 1 page.

Otterbox, “OtterBox Showcases Elevation 14 Mug at Outdoor Retailer,” dated Jun. 18, 2019, downloaded from <http://media.otterbox.com/2019-06-18-OtterBox-Showcases-Elevation-14-Mug-at-Outdoor-Retailer> Jul. 22, 2019, 3 pages.

Otterbox, OtterBox Outdoor Elevation Tumblers, retrieved from <https://www.otterbox.com/en-us/elevation-tumblers.html> on Jan. 5, 2018, 6 pages.

Otterbox, PR Newswire “Unrule the Outdoors with New OtterBox Venture Coolers”, downloaded from <http://www.prnewswire.com/news-releases/unrule-the-outdoors-with-new-otterbox-venture-coolers-300453988.html> May 9, 2017, 3 pages.

Otterbox, Rugged & Versatile Elevation 20 Tumbler Accessories, retrieved from <https://www.otterbox.com/en-us/tumbler-accessories> Jan. 5, 2018, 2 pages.

Pelican Consumer, Traveler Tumbler Series Drinkware, downloaded from <http://www.pelican.com/us/en/products/drinkware> May 8, 2017, 2 pages.

Tervis Official Store, Shaker Top, downloaded from <http://www.tervis.com/shaker-top> May 8, 2017, 4 pages.

Tervis Official Store, Stainless Steel Tumblers, downloaded from <http://www.tervis.com/stainless-steel> May 8, 2017, 4 pages.

Tervis Official Store, Travel Lids, downloaded from <http://www.tervis.com/travel-lids> May 8, 2017, 11 pages.

Yeti Coolers, “Rambler 14 oz Mug”, downloaded from [https://www.yeti.com/en\\_US/drinkware/rambler-14-oz-mug/YRAM14.html](https://www.yeti.com/en_US/drinkware/rambler-14-oz-mug/YRAM14.html) on Jul. 22, 2019, 7 pages.

Yeti Coolers, Rambler Drinkware Series, downloaded from <http://yeti.com/rambler> May 8, 2017, 6 pages.

(56)

**References Cited**

OTHER PUBLICATIONS

Yeti Coolers, Yeti Accessories & Parts, downloaded May 8, 2017  
from <http://yeti.com/accessories>, 5 pages.

\* cited by examiner

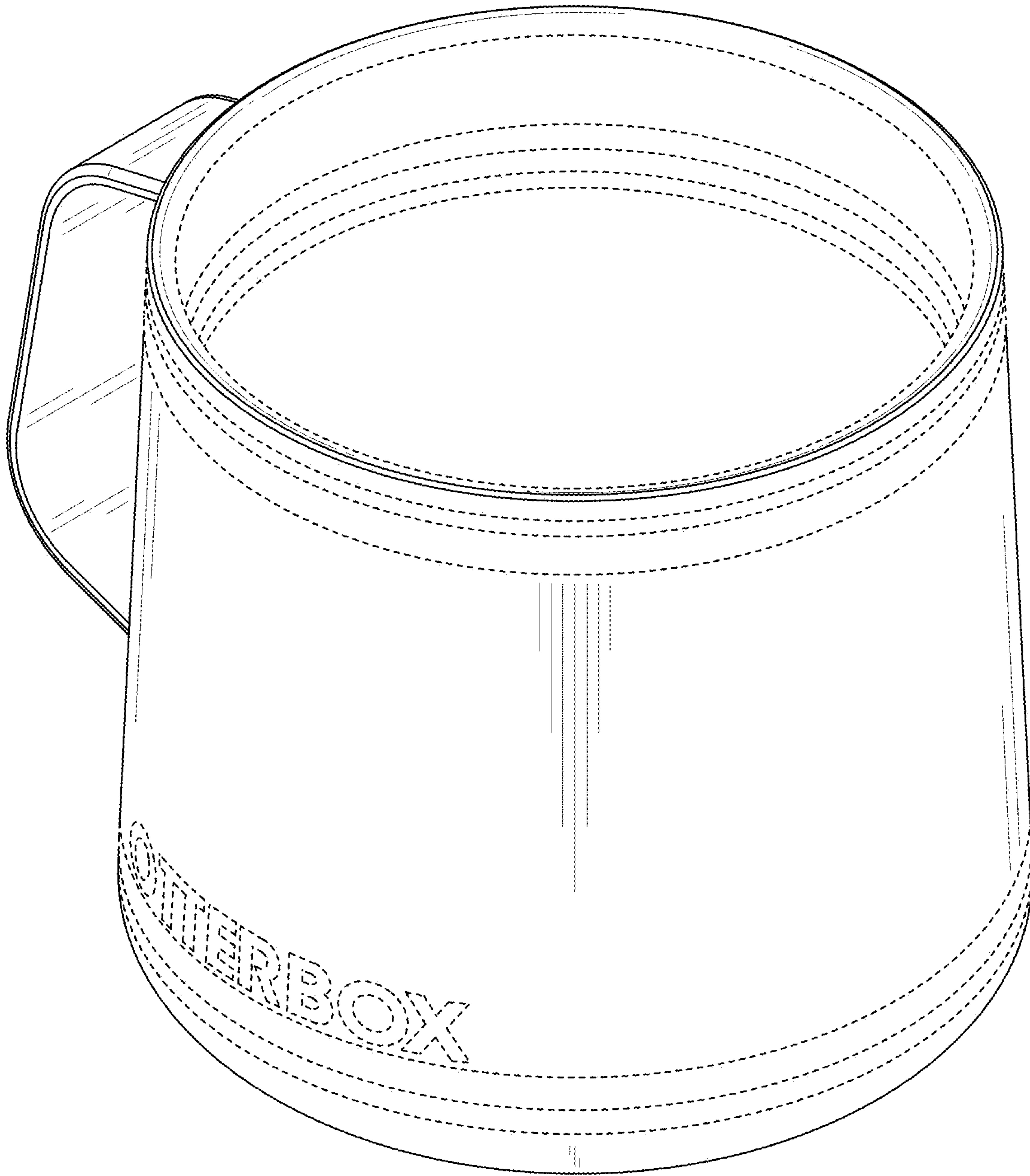


FIG. 1



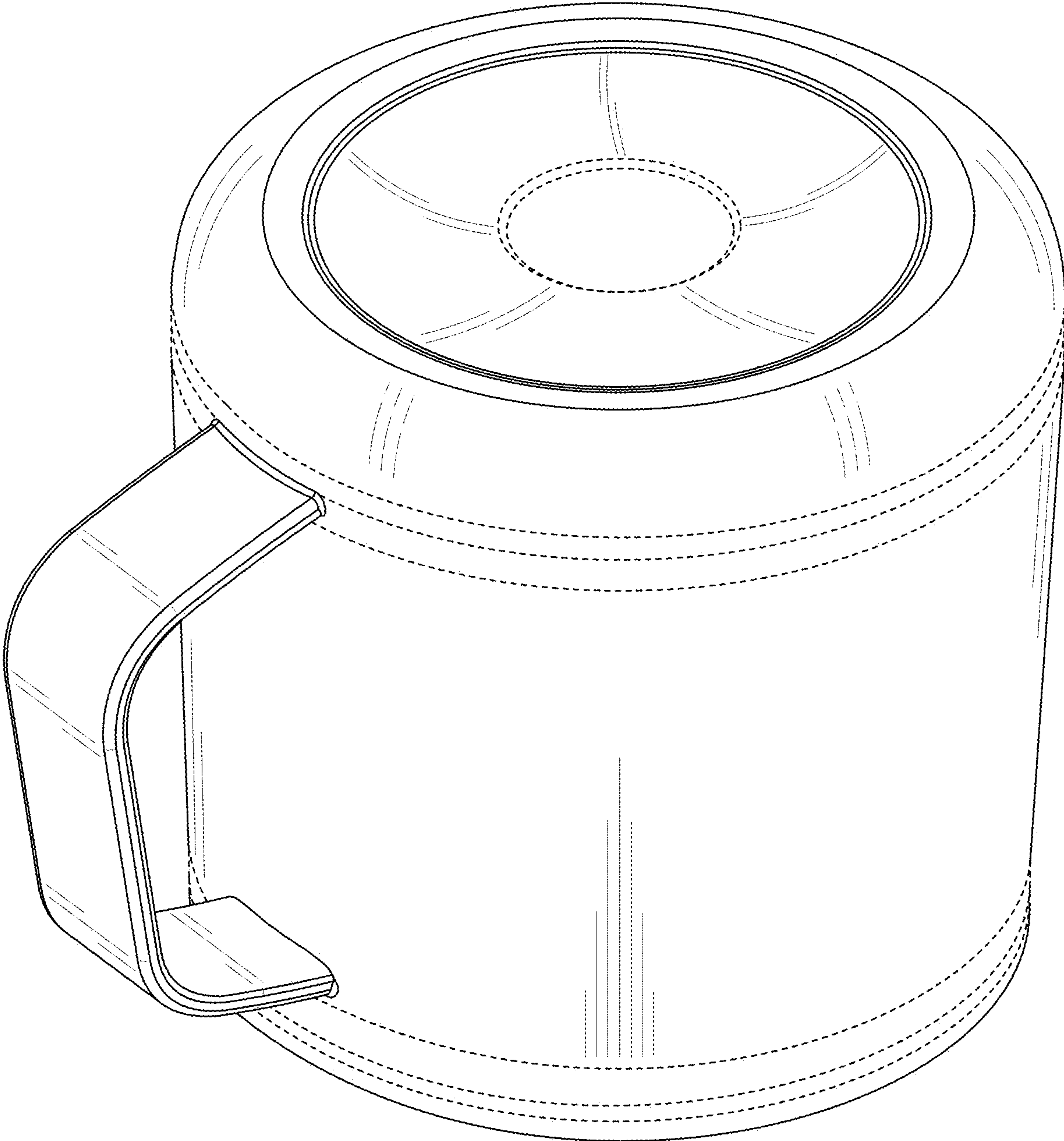


FIG. 2

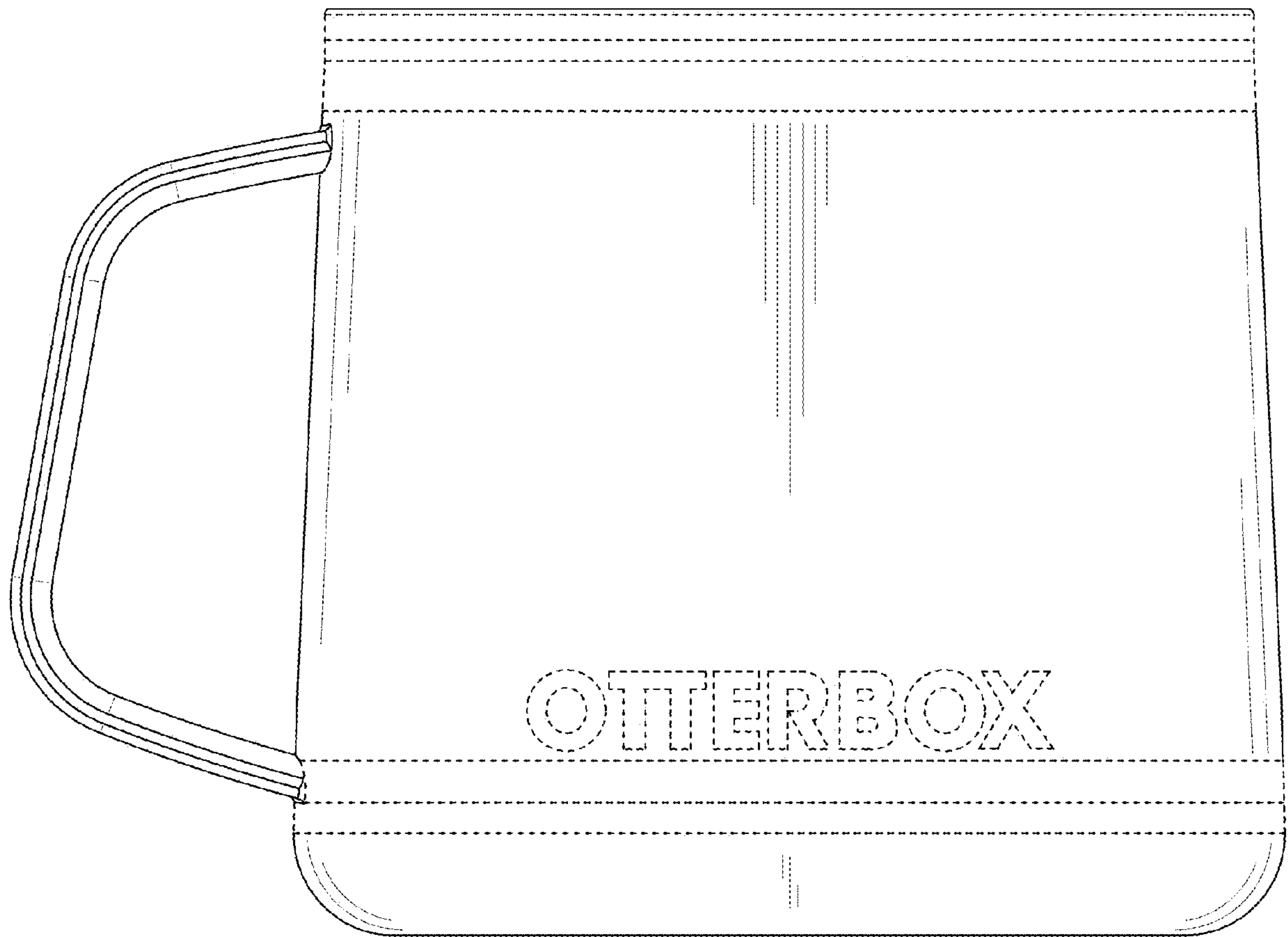


FIG. 3



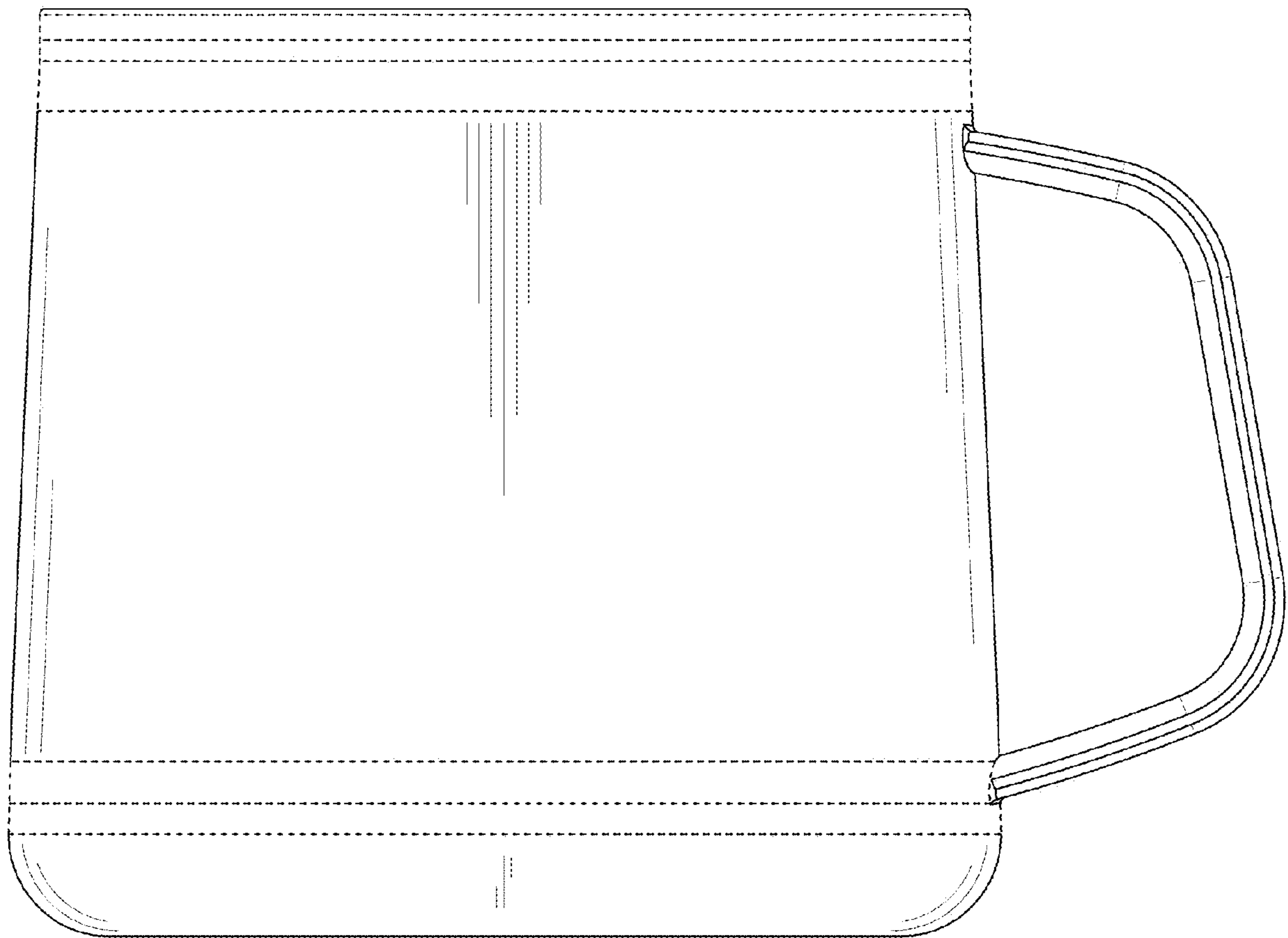


FIG. 4

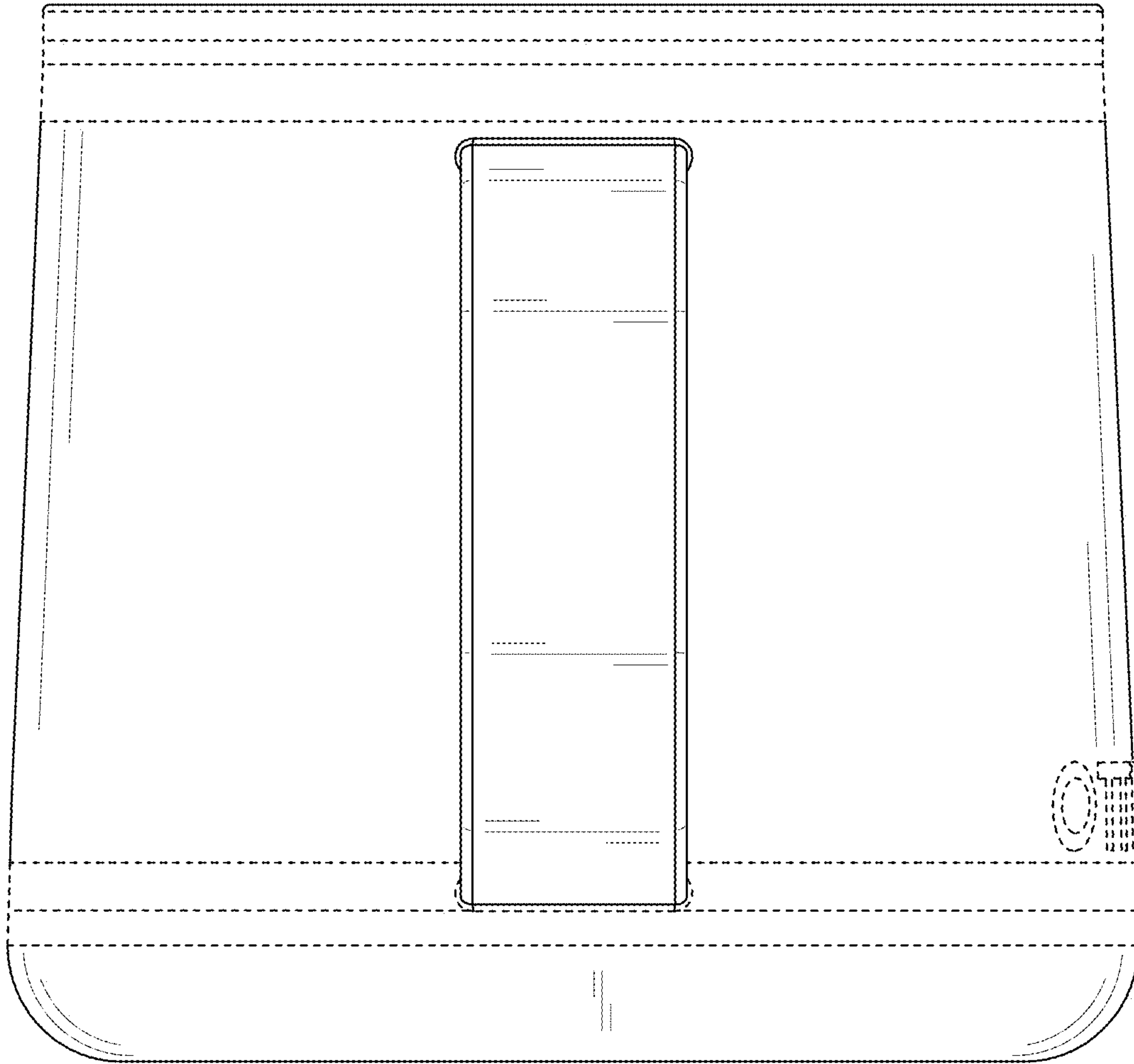


FIG. 5



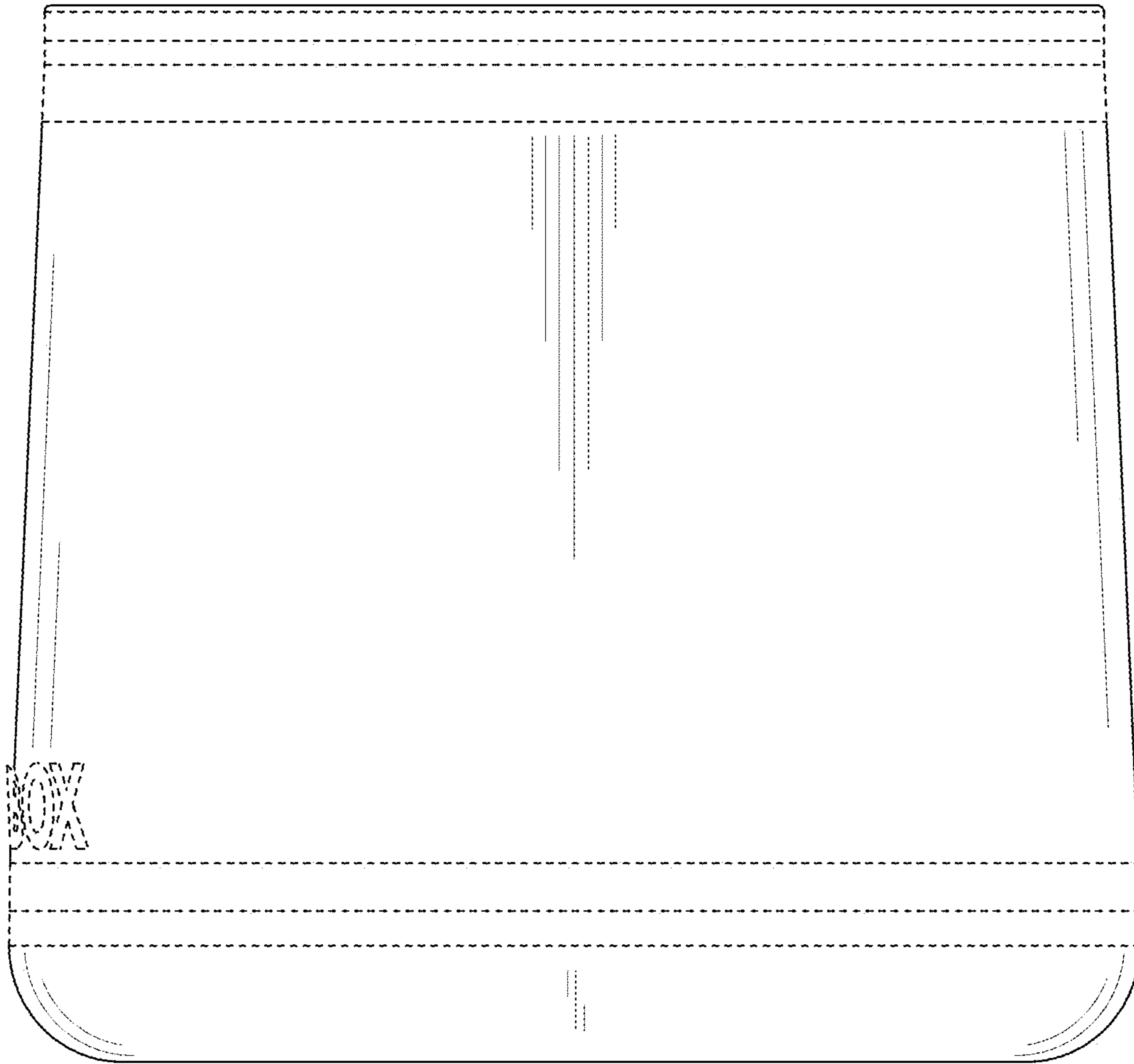


FIG. 6

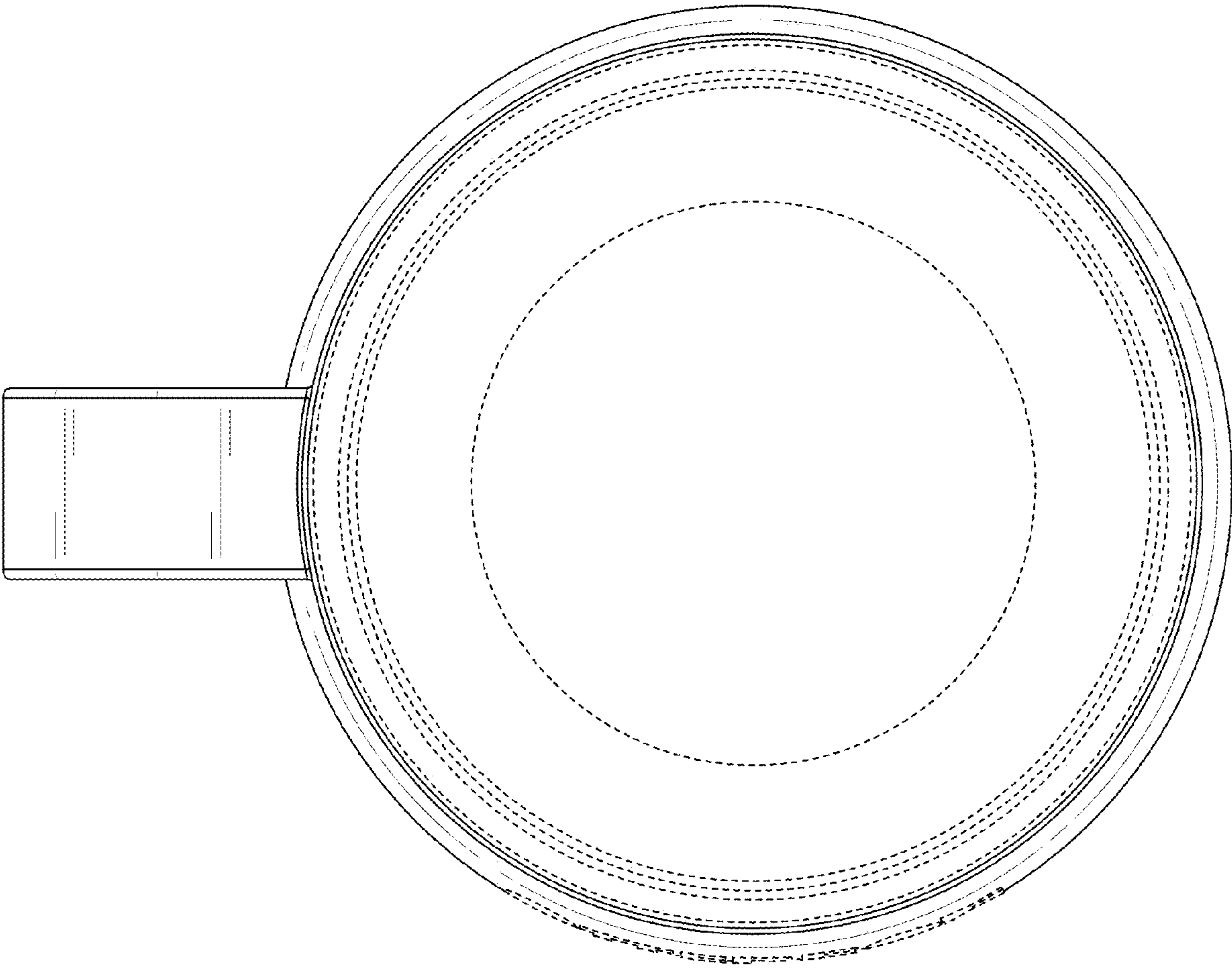


FIG. 7



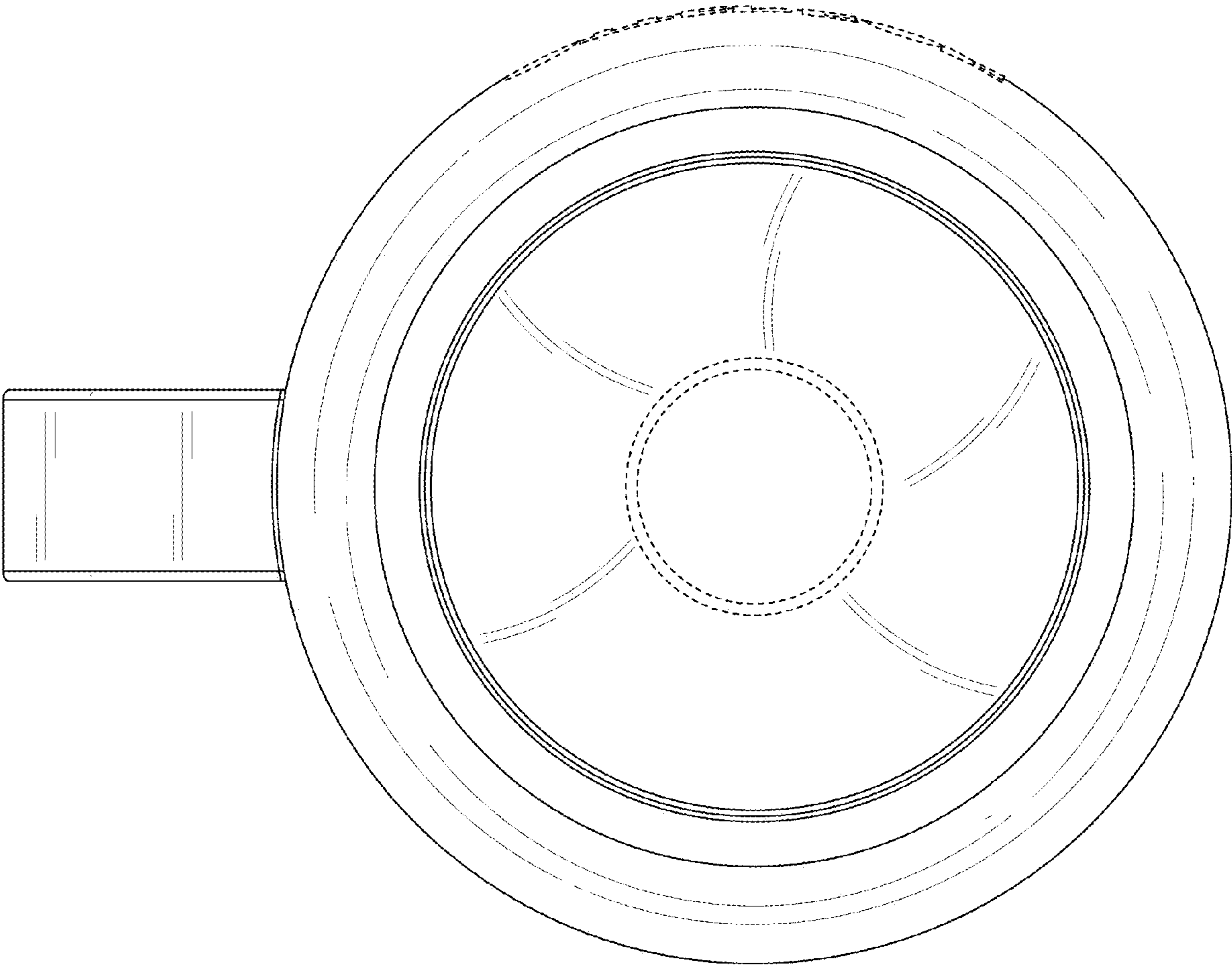


FIG. 8