



US00D925289S

(12) **United States Design Patent** (10) **Patent No.:** **US D925,289 S**
Hume et al. (45) **Date of Patent:** **** *Jul. 20, 2021**

(54) **DRINKING VESSEL**
(71) Applicant: **True Fabrications, Inc.**, Seattle, WA (US)
(72) Inventors: **Ryan William Hume**, Seattle, WA (US); **Amy Jo Westrick**, Seattle, WA (US)
(73) Assignee: **TRUE FABRICATIONS, INC.**, Seattle, WA (US)
(*) Notice: This patent is subject to a terminal disclaimer.
(**) Term: **15 Years**
(21) Appl. No.: **29/657,640**
(22) Filed: **Jul. 24, 2018**
(51) **LOC (13) Cl.** **07-01**
(52) **U.S. Cl.**
USPC **D7/529; D7/532**
(58) **Field of Classification Search**
USPC D7/507, 509, 510, 511, 512, 523, 532, D7/529, 531, 533, 535, 536, 608, 524, D7/525; D9/503, 504, 552, 435, 447; D11/143, 144, 152, 153; D24/197
CPC A47J 41/0077; A47J 41/02; A47G 19/22; A47G 19/2205; A47G 2019/2277; A47G 19/2288; A45F 3/20; A45F 2003/205; B65D 43/02
See application file for complete search history.

D613,997 S * 4/2010 Kingsley D7/529
D614,917 S * 5/2010 Calco D7/509
D635,399 S * 4/2011 DelVecchio D7/509
D655,984 S * 3/2012 Andreesen D7/509
D687,263 S * 8/2013 Chiorazzi D7/509
D789,152 S * 6/2017 Wall D7/538
D815,913 S * 4/2018 McLaughlin D7/523
D824,729 S * 8/2018 Fitchko D7/529
10,059,488 B2 * 8/2018 Chiriga A47G 19/2205
2013/0014519 A1 * 1/2013 Bucceri A47G 19/2288
62/66

* cited by examiner

Primary Examiner — Jae Liang
(74) *Attorney, Agent, or Firm* — Vicky Kaur Bajwa

(57) **CLAIM**

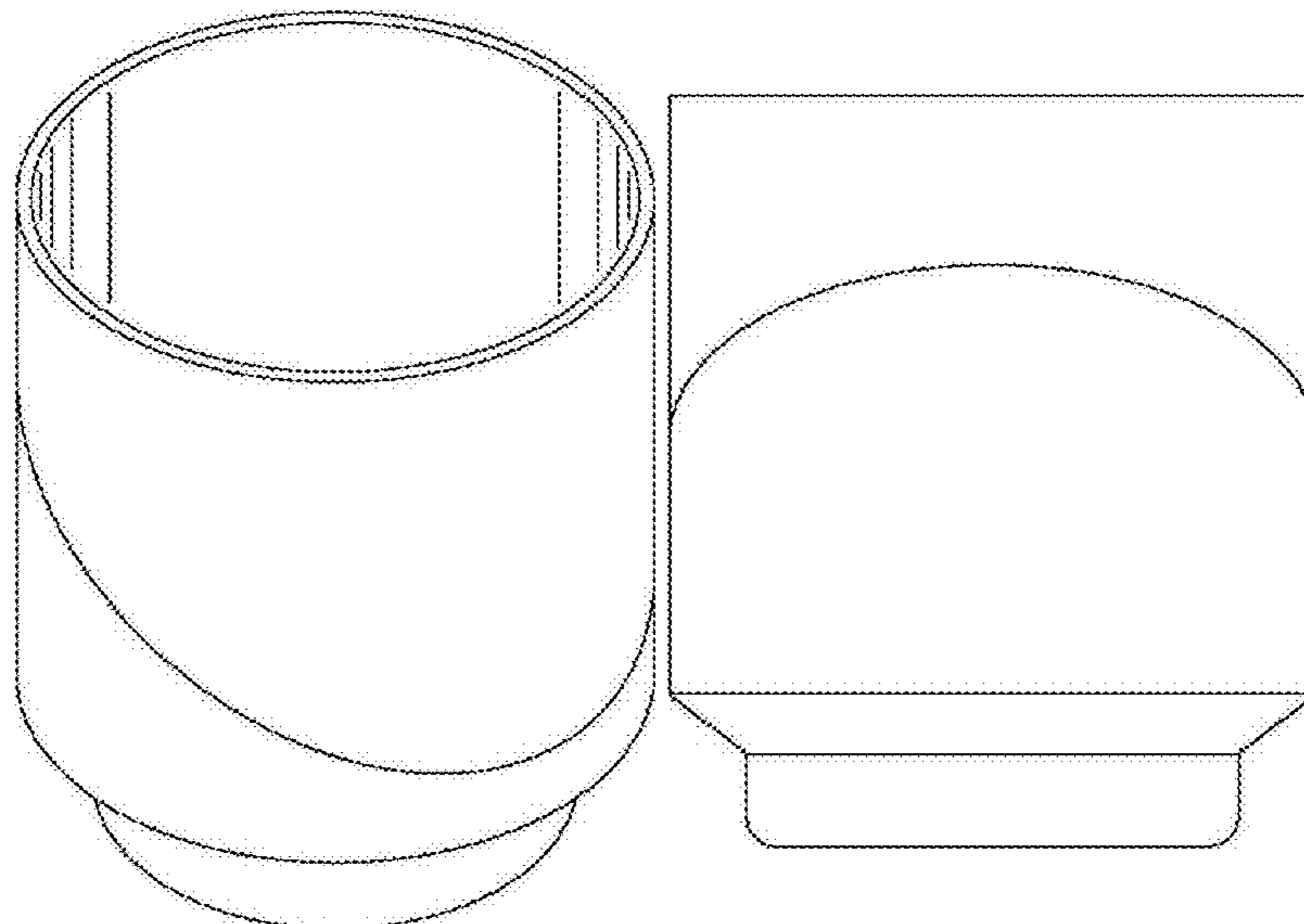
The ornamental design for a drinking vessel, as shown and described.

DESCRIPTION

FIG. 1 is a top perspective view of a first embodiment of a drinking vessel showing our new design;
FIG. 2 is a front elevation view of the drinking vessel of FIG. 1;
FIG. 3 is a rear elevation view of the drinking vessel of FIG. 1;
FIG. 4 is a right side elevation view of the drinking vessel of FIG. 1, the left side elevation view being a mirror image thereof;
FIG. 5 is a top view of the drinking vessel of FIG. 1;
FIG. 6 is a bottom view of the drinking vessel of FIG. 1;
FIG. 7 is a bottom perspective view of the drinking vessel of FIG. 1;
FIG. 8 is a cross section view showing a section taken along line 8-8 of FIG. 2; and,
FIG. 9 is a top perspective view of a second embodiment of the drinking vessel of FIG. 1.

1 Claim, 4 Drawing Sheets

(56) **References Cited**
U.S. PATENT DOCUMENTS
D288,766 S * 3/1987 Tardif D7/523
D462,876 S * 9/2002 Janky D7/510
D545,132 S * 6/2007 Bhavnani D7/536
7,530,468 B1 * 5/2009 Garvey A47G 19/145
220/345.1



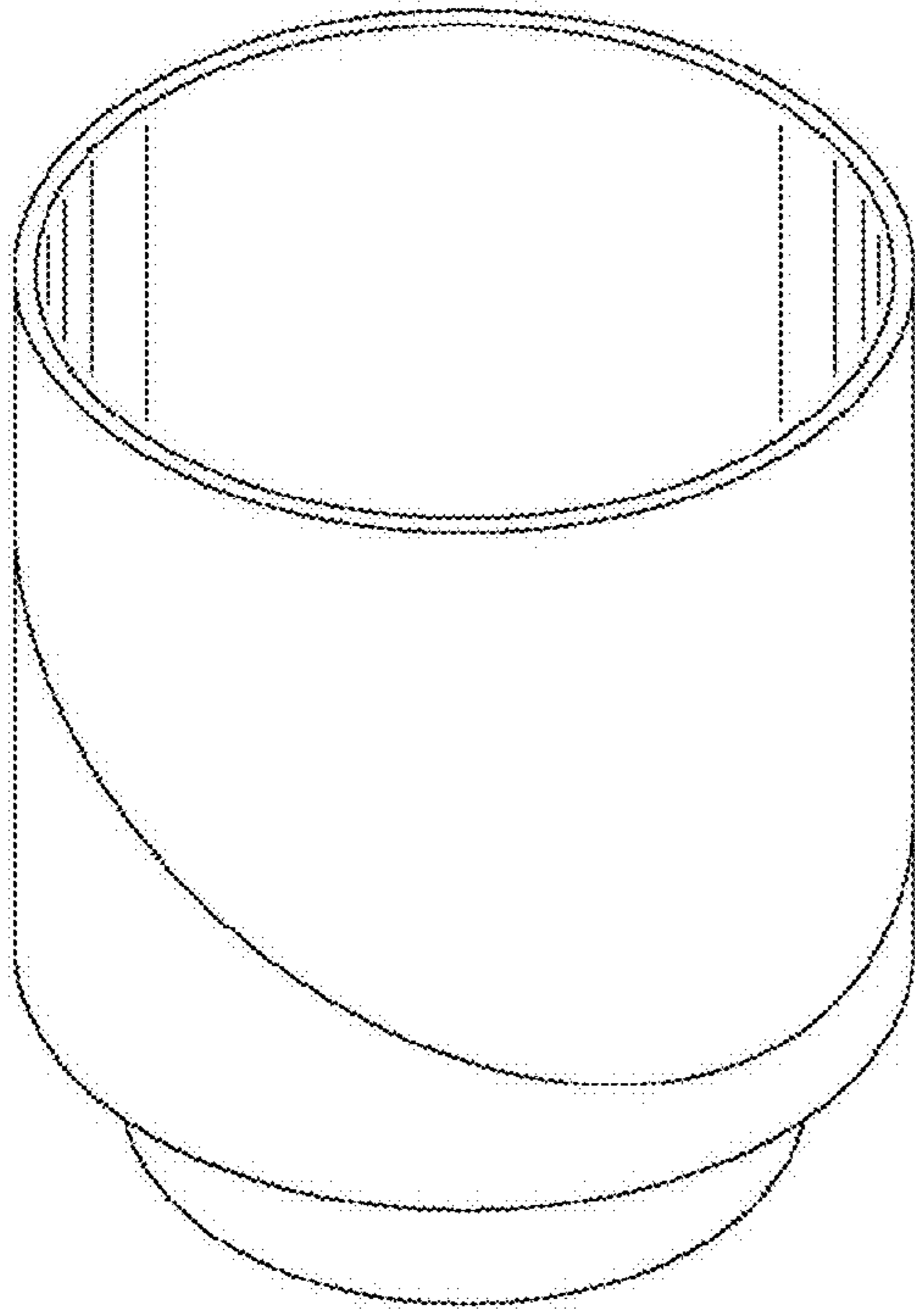


FIG. 1

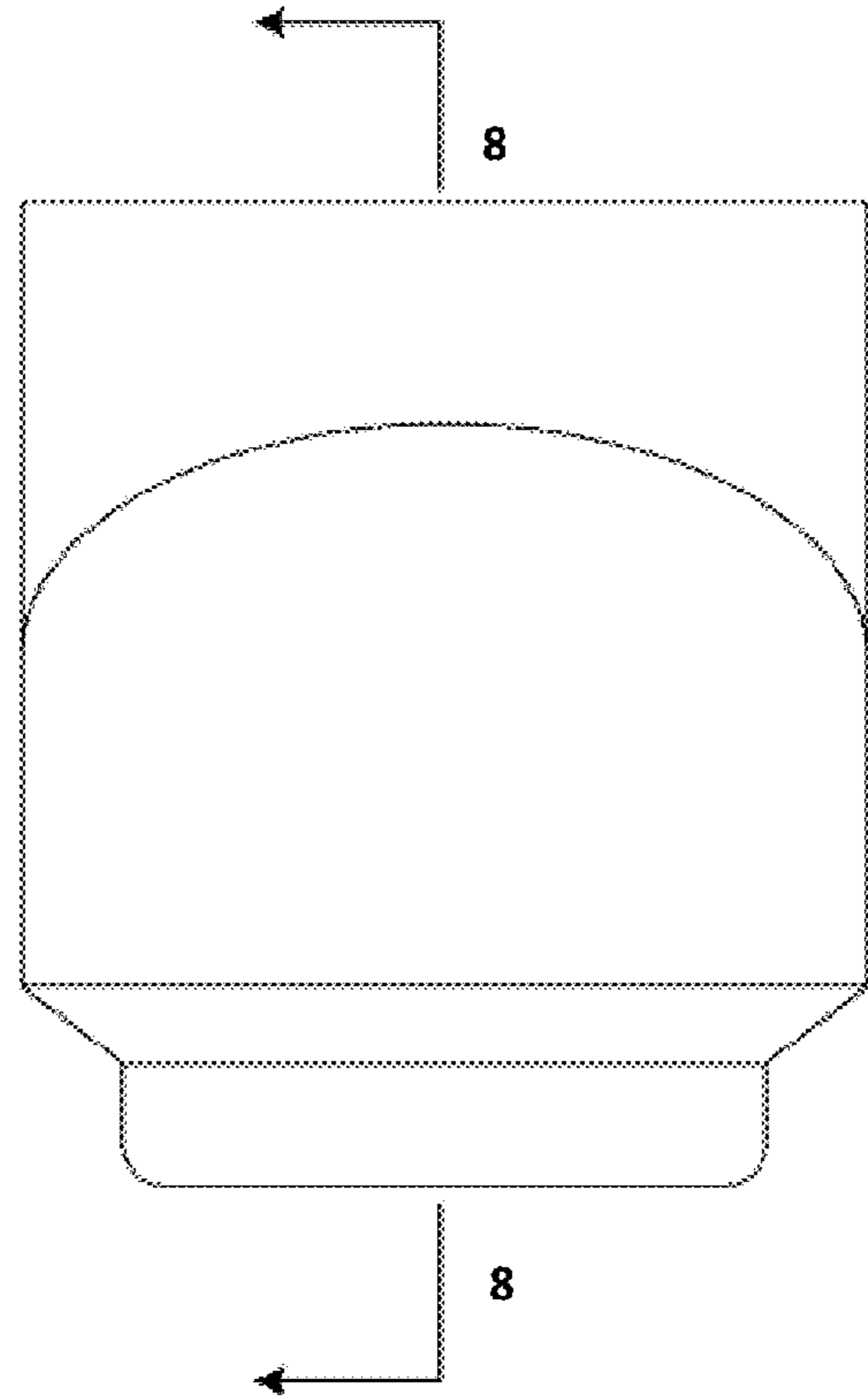


FIG. 2

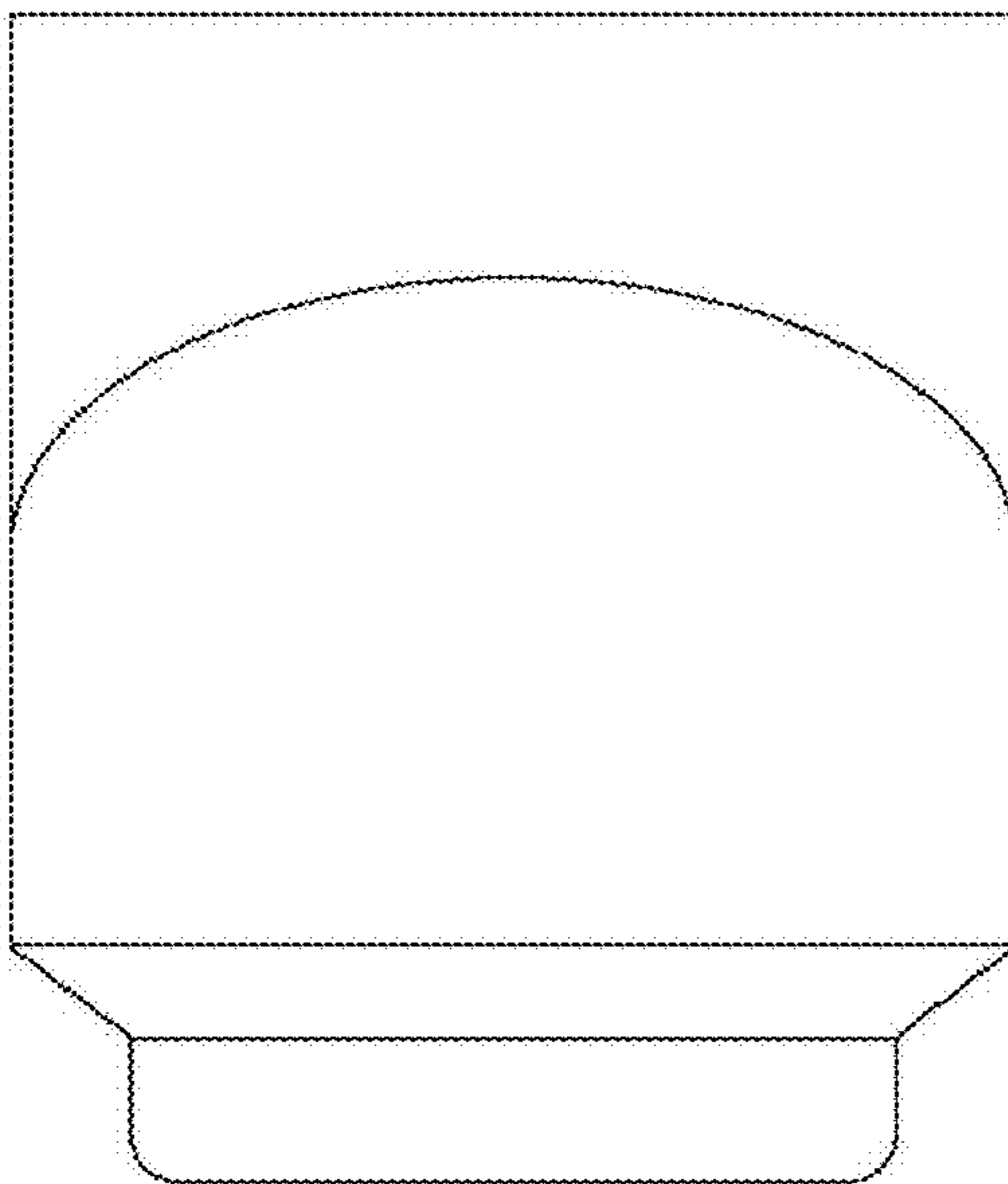


FIG. 3

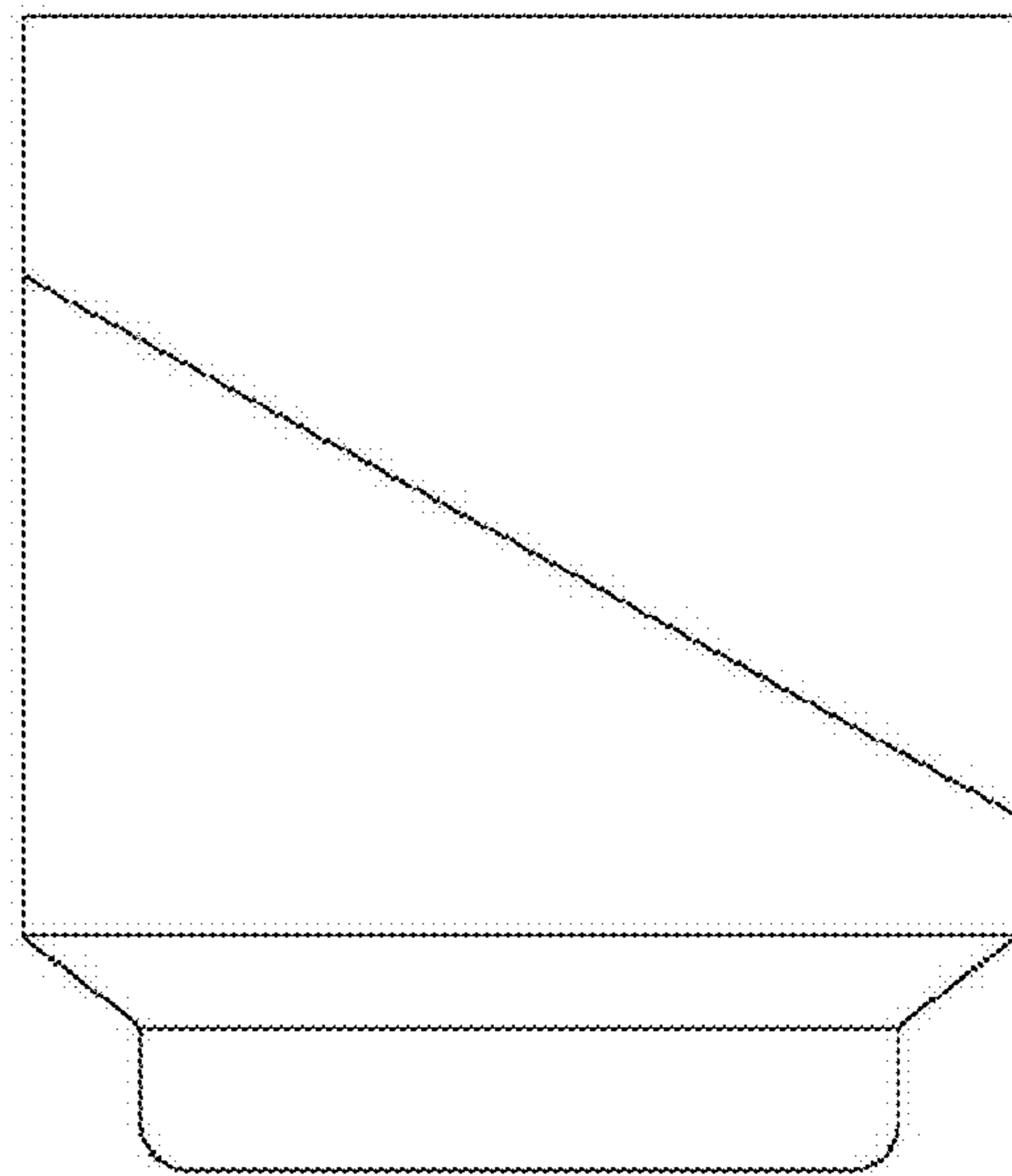


FIG. 4

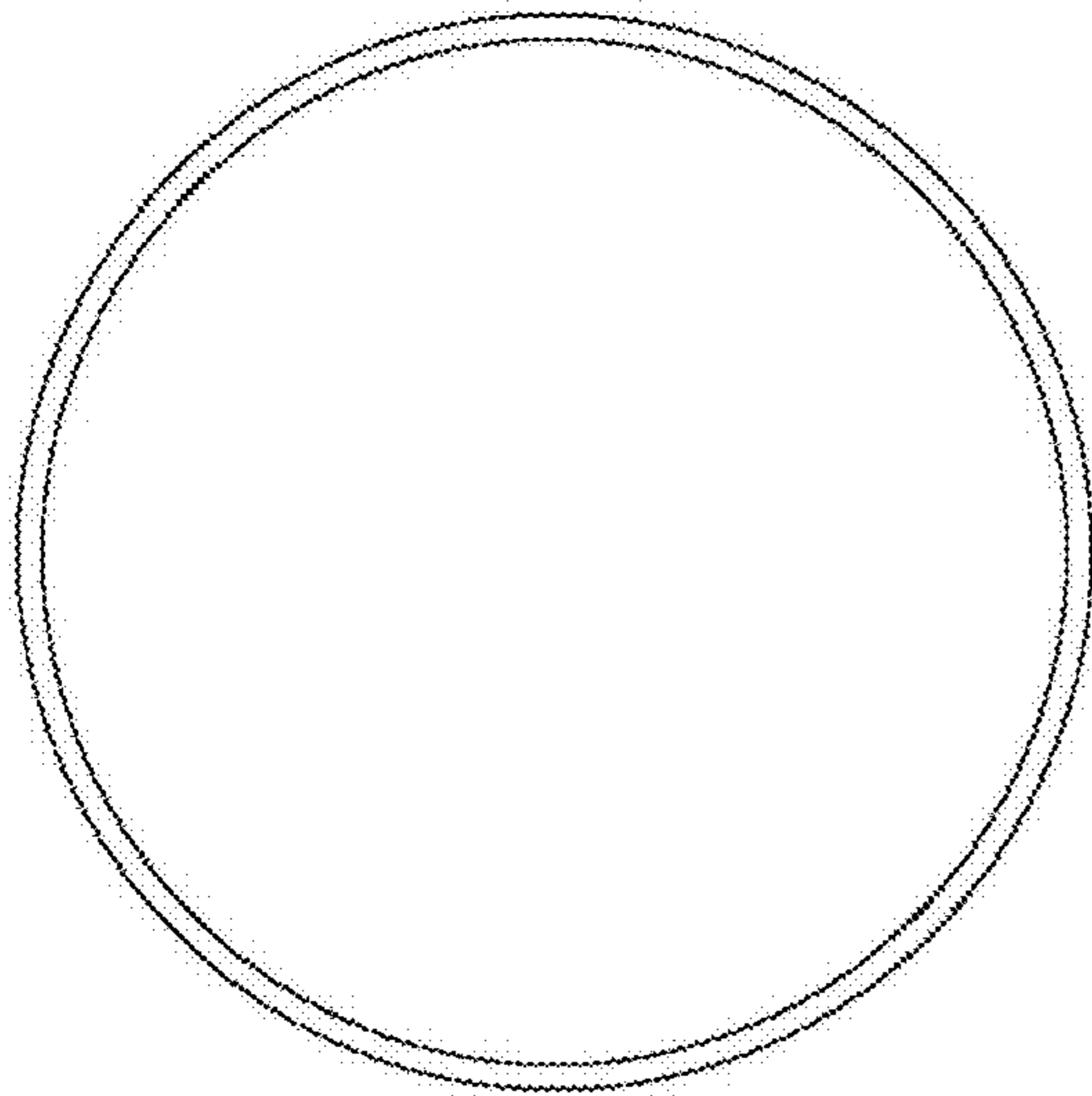


FIG. 5

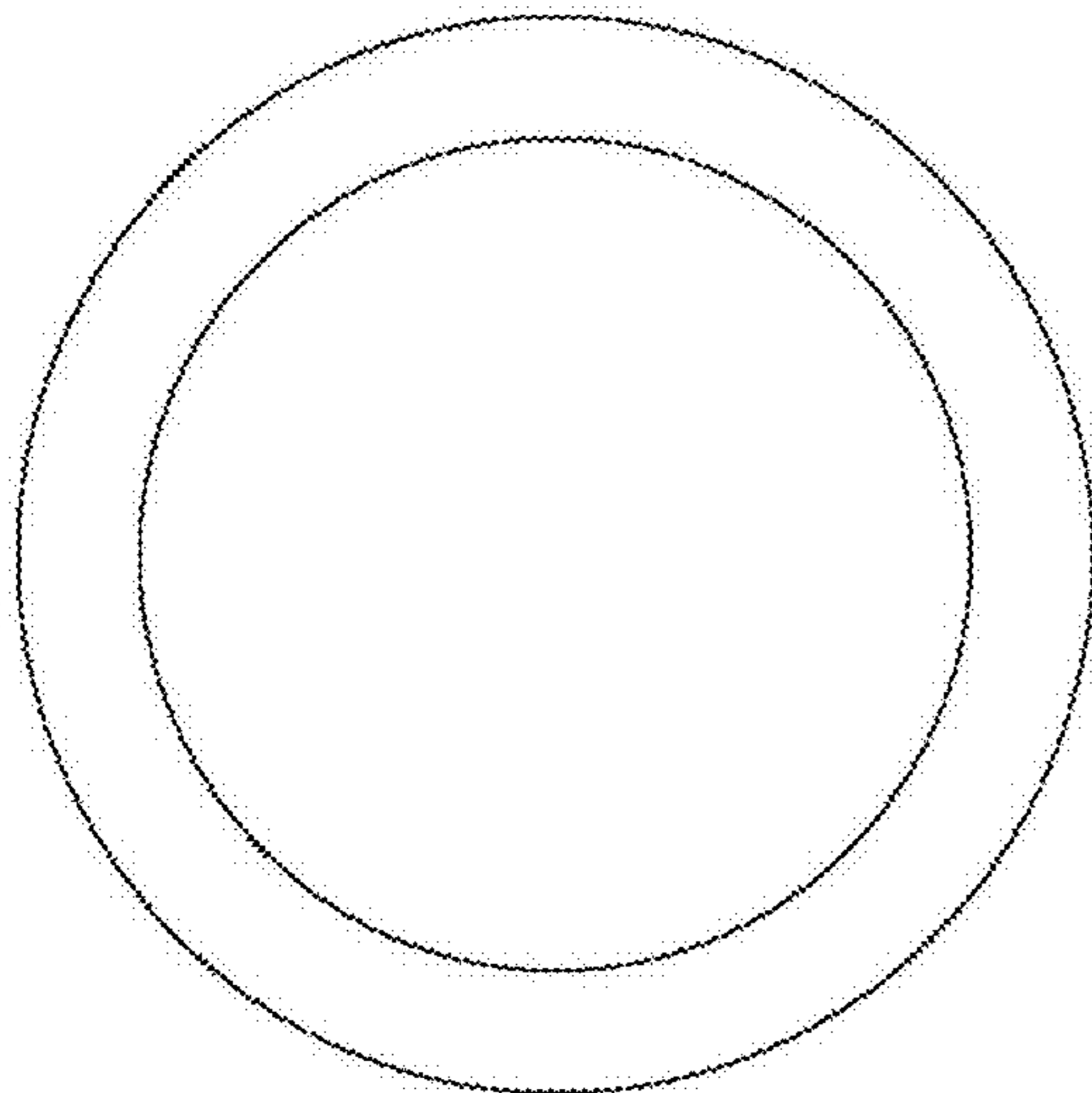


FIG. 6

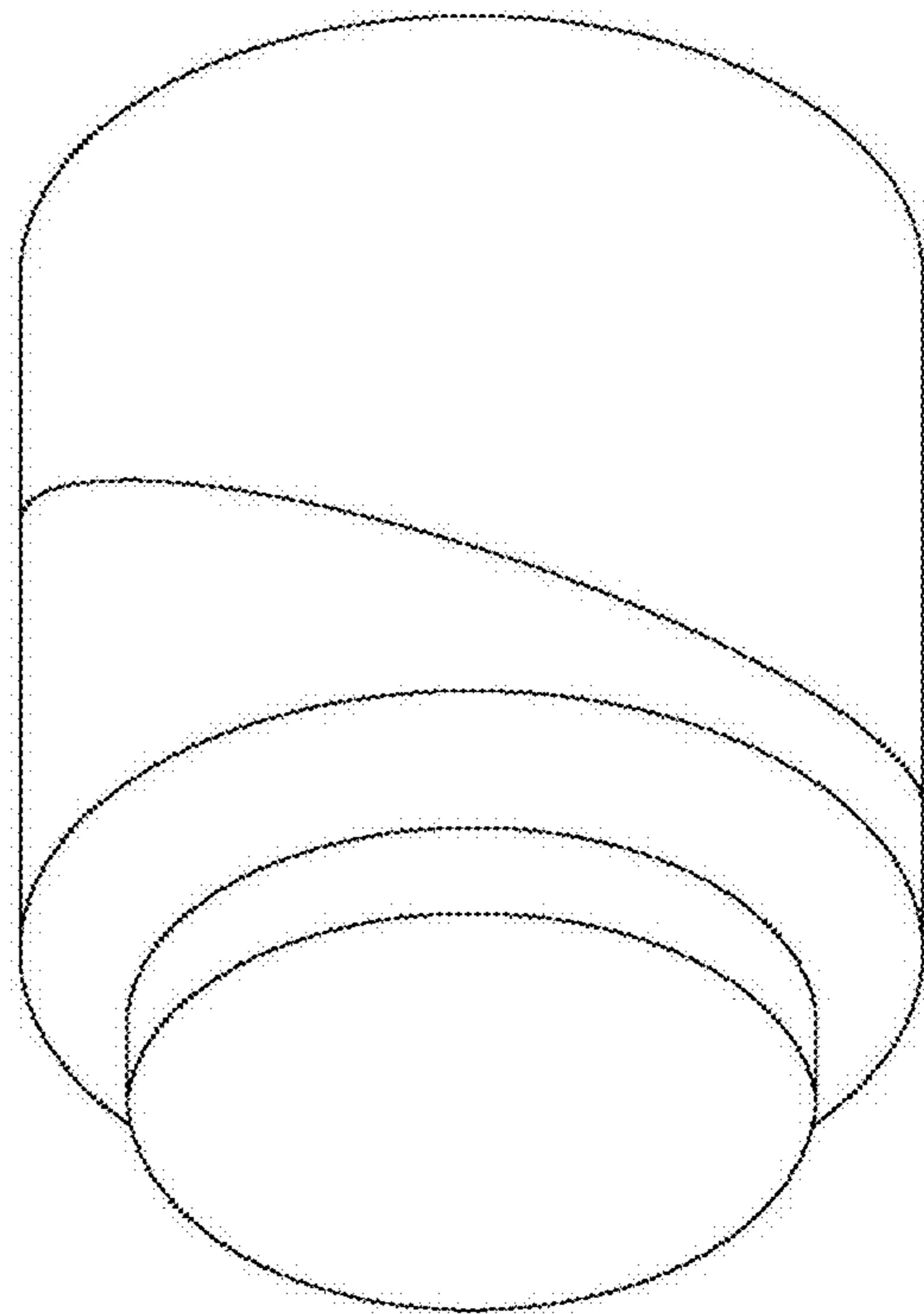


FIG. 7

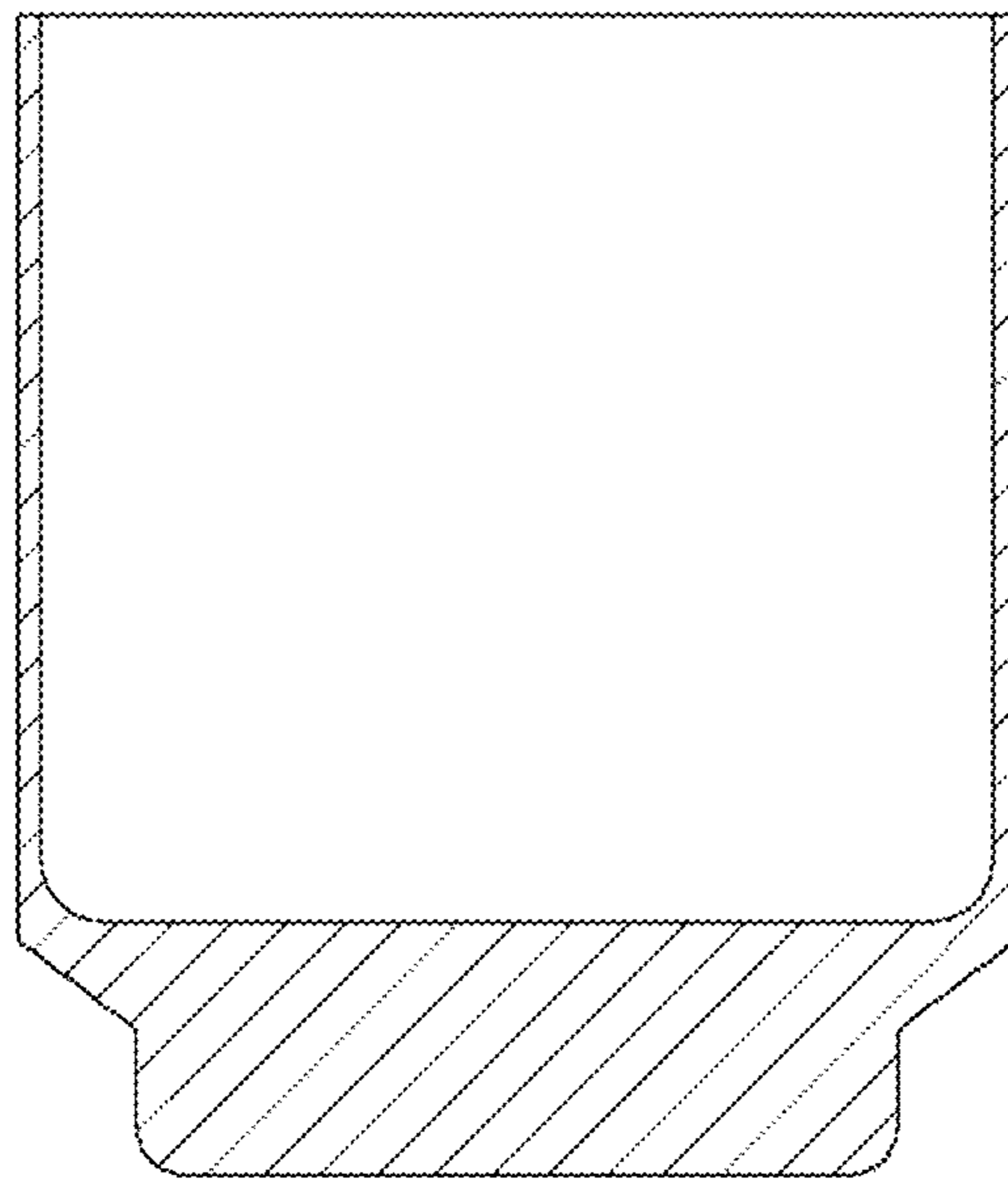


FIG. 8

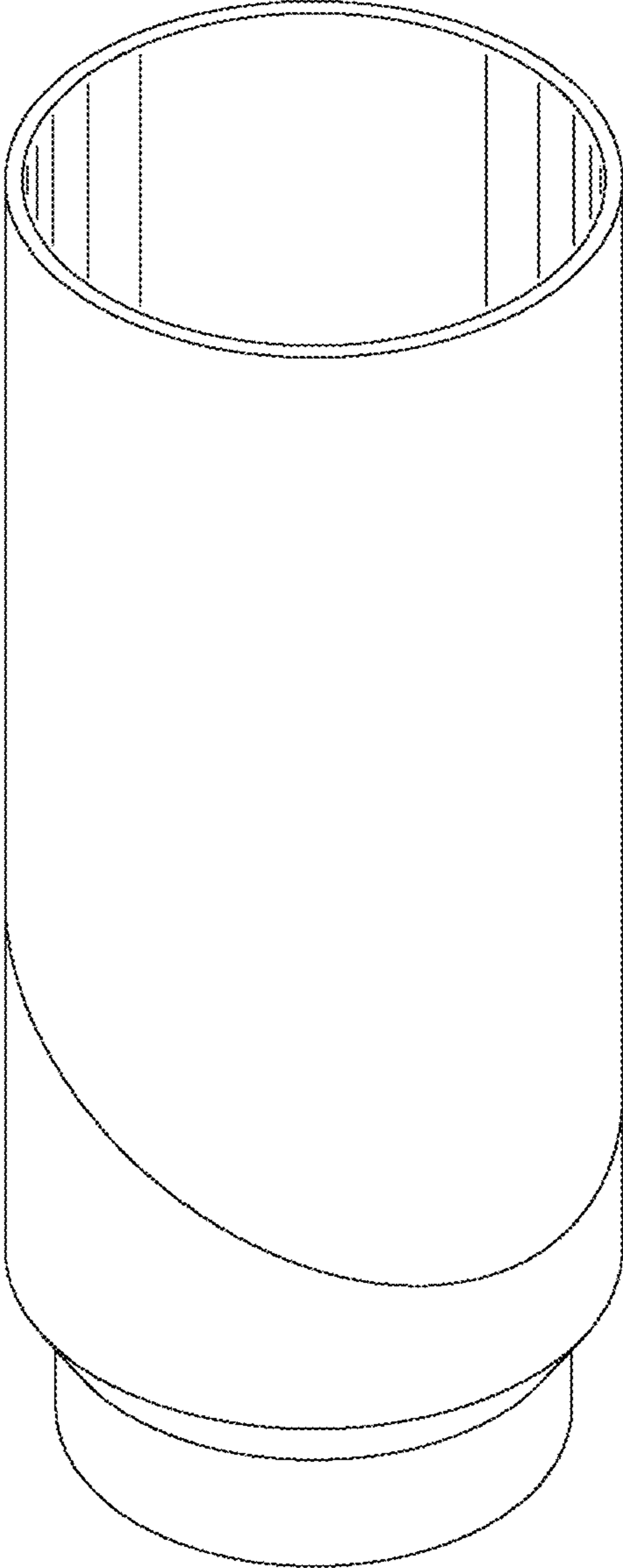


FIG. 9