



US00D925287S

(12) **United States Design Patent** (10) **Patent No.:** **US D925,287 S**
Gilmore, III et al. (45) **Date of Patent:** **** *Jul. 20, 2021**

(54) **BEVERAGE CONTAINER**

FOREIGN PATENT DOCUMENTS

(71) Applicant: **Leapfrog Product Development LLC**,
Chicago, IL (US)

CA 131525 * 5/2010
CA 138914 * 10/2011

(72) Inventors: **Glen C. Gilmore, III**, Naperville, IL (US); **Micaela K. McCabe**, Chicago, IL (US); **Steven N. Pinelli**, Ogden Dunes, IN (US); **Derek J. Leatzow**, Chicago, IL (US); **Brian M. Clemens**, Burnsville, MN (US); **Richard E. Ellison**, Chicago, IL (US); **Kurtis M. Sward**, Anna Maria, FL (US)

OTHER PUBLICATIONS

Zulu, "Zulu Studio Glass Water Bottle with Silicone Sleeve," Aug. 23, 2017, Amazon.com, www.amazon.com/dp/B0752QCNM3 (Year: 2017).*

(Continued)

(73) Assignee: **Leapfrog Product Development LLC**,
Chicago, IL (US)

Primary Examiner — Shannon W Morgan
Assistant Examiner — Arva P Adams

(74) *Attorney, Agent, or Firm* — Barnes & Thornburg LLP

(*) Notice: This patent is subject to a terminal disclaimer.

(**) Term: **15 Years**

(57) **CLAIM**

We claim the ornamental design for a beverage container, as shown and described.

(21) Appl. No.: **29/682,581**

(22) Filed: **Mar. 6, 2019**

(51) **LOC (13) Cl.** **07-01**

(52) **U.S. Cl.**

USPC **D7/511**; D7/532; D7/536

(58) **Field of Classification Search**

USPC D7/300.1, 300.2, 392, 392.1, 507, 510, D7/511, 523, 532, 536, 592, 624.2, 679; 206/37; D9/414, 415, 432, 434, 435, D9/443, 445, 448, 449, 452, 454, 500, D9/501, 502, 503, 504, 517, 526, 527, D9/529, 530, 541, 553, 591, 608, 683, D9/688, 754; D24/121; D14/191;

(Continued)

DESCRIPTION

FIG. 1 is a top perspective view of the beverage container according to the new design.

FIG. 2 is a bottom perspective view of the beverage container shown in FIG. 1.

FIG. 3 is a front elevation view of the beverage container shown in FIG. 1.

FIG. 4 is a rear elevation view of the beverage container shown in FIG. 1.

FIG. 5 is a left side elevation view of the beverage container shown in FIG. 1.

FIG. 6 is a right side elevation view of the beverage container shown in FIG. 1.

FIG. 7 is a top plan view of the beverage container shown in FIG. 1; and,

FIG. 8 is a bottom plan view of the beverage container shown in FIG. 1.

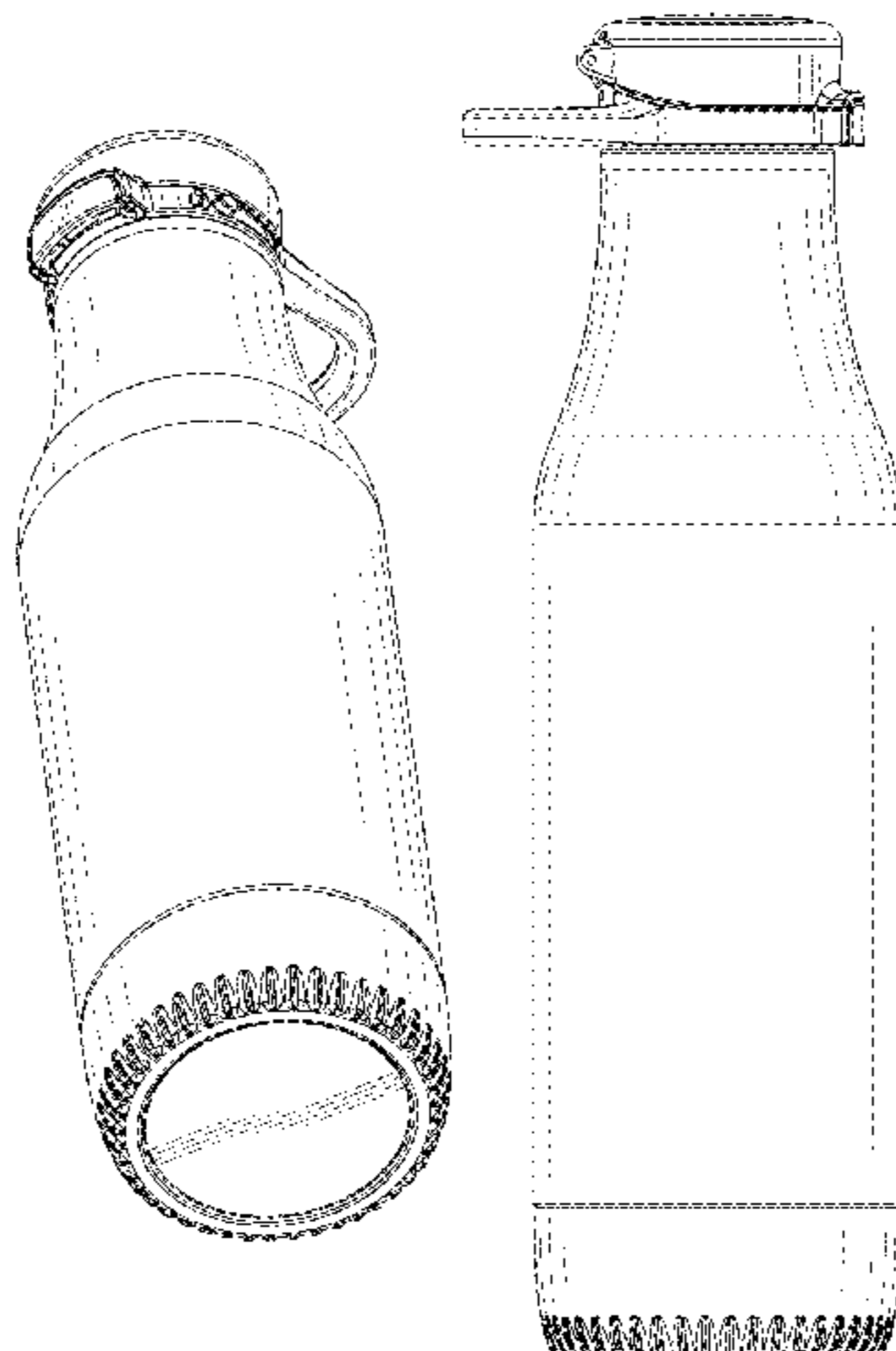
(56) **References Cited**

U.S. PATENT DOCUMENTS

D364,810 S 12/1995 Meisner
D471,455 S 3/2003 Laveault et al.
D485,132 S 1/2004 Ohno et al.

(Continued)

1 Claim, 8 Drawing Sheets



(58) **Field of Classification Search**

USPC D28/88, 89, 91, 91.1; 220/509, 568, 705,
220/708, 710; D3/202, 203.2, 294, 318
CPC A45C 11/00; A45C 11/34; B65D 41/04;
B65D 1/02; B65D 47/265; B65D 51/247;
B65D 77/283; A47G 19/2205; A47G
19/065; A47J 43/27; A45F 5/021; A61J
1/00; A61J 1/1412

See application file for complete search history.

(56) **References Cited**

U.S. PATENT DOCUMENTS

| | | | |
|--------------|---------|-------------------|----------|
| D505,294 S | 5/2005 | Gauss | |
| D508,185 S | 8/2005 | Gauss | |
| D515,357 S | 2/2006 | Ward et al. | |
| D528,862 S | 9/2006 | Li | |
| D533,061 S | 12/2006 | Li | |
| D564,841 S | 3/2008 | Clemens et al. | |
| D579,722 S | 11/2008 | Sakulsacha et al. | |
| D581,727 S | 12/2008 | Pinelli et al. | |
| D592,456 S | 5/2009 | Pinelli et al. | |
| D592,905 S | 5/2009 | Pinelli et al. | |
| D592,913 S * | 5/2009 | Pinelli | D7/510 |
| 7,546,933 B2 | 6/2009 | Pinelli | |
| D596,460 S * | 7/2009 | Nezu | D7/510 |
| D609,964 S | 2/2010 | Lane | |
| D643,249 S | 8/2011 | Miller et al. | |
| 7,997,442 B2 | 8/2011 | Pinelli | |
| D652,256 S * | 1/2012 | Eyal | D7/510 |
| D655,580 S | 3/2012 | Kotani | |
| D656,787 S | 4/2012 | Phillips et al. | |
| D660,704 S * | 5/2012 | Simmons | D9/504 |
| D661,945 S | 6/2012 | Eyal | |
| D675,060 S | 1/2013 | Lane | |
| 8,360,267 B1 | 1/2013 | Chiou et al. | |
| D682,034 S * | 5/2013 | El-Saden | D7/510 |
| D686,871 S | 7/2013 | Lane | |
| D693,629 S | 11/2013 | Miller | |
| D693,630 S | 11/2013 | Hurley et al. | |
| 8,579,133 B2 | 11/2013 | Marcus et al. | |
| 8,590,731 B2 | 11/2013 | Pinelli | |
| D700,012 S | 2/2014 | Hurley et al. | |
| D700,802 S * | 3/2014 | Miller | D7/392.1 |
| D700,808 S * | 3/2014 | Eyal | D7/510 |
| 8,978,906 B2 | 3/2015 | Feeley et al. | |
| D725,966 S | 4/2015 | Boroski et al. | |
| D739,183 S | 9/2015 | Lane | |
| 9,266,643 B2 | 2/2016 | Marcus et al. | |
| D758,189 S | 6/2016 | Roth et al. | |
| D758,790 S | 6/2016 | Boroski | |
| D780,578 S | 3/2017 | Lane et al. | |
| D781,104 S * | 3/2017 | Cerasani | D7/510 |
| D785,402 S | 5/2017 | Shirley et al. | |
| D787,886 S * | 5/2017 | Cerasani | D7/510 |
| D792,216 S * | 7/2017 | Breit | D9/443 |
| D793,804 S | 8/2017 | Herbst et al. | |
| D794,453 S | 8/2017 | Boroski et al. | |
| D795,011 S * | 8/2017 | Pisarevsky | D7/510 |
| D799,898 S | 10/2017 | Yao | |
| D800,556 S * | 10/2017 | McGreevy | D9/448 |
| D802,993 S | 11/2017 | Joseph et al. | |
| D804,903 S | 12/2017 | Mason et al. | |
| D804,904 S | 12/2017 | Noveletsky et al. | |
| D808,220 S | 1/2018 | Bums et al. | |
| D808,711 S * | 1/2018 | Joseph | D7/392.1 |
| D809,384 S | 2/2018 | Best et al. | |
| D811,810 S * | 3/2018 | Joseph | D7/392.1 |
| D812,428 S * | 3/2018 | Wu | D7/510 |
| D814,398 S | 4/2018 | Yasunaga | |
| D817,713 S | 5/2018 | Lin | |
| D818,317 S * | 5/2018 | Fu | D7/510 |
| D818,767 S | 5/2018 | Nezu | |
| D818,774 S * | 5/2018 | Stover | D7/510 |
| D821,136 S | 6/2018 | Silsby et al. | |
| D821,137 S | 6/2018 | Boroski | |

| | | | |
|-------------------|---------|------------------|---------------------|
| D821,815 S | 7/2018 | Chung | |
| D822,427 S | 7/2018 | Sorensen et al. | |
| D831,425 S | 10/2018 | Best et al. | |
| D831,433 S | 10/2018 | Fleischhut | |
| D835,939 S | 12/2018 | Yee et al. | |
| D839,044 S * | 1/2019 | Potter | A45F 3/16 D7/392 |
| D848,787 S | 5/2019 | Tatsukawa et al. | |
| D853,181 S | 7/2019 | Stanton | |
| D853,784 S | 7/2019 | Wu | |
| D865,457 S | 11/2019 | Kotani | |
| D869,230 S | 12/2019 | Hao | |
| D870,509 S | 12/2019 | Bo | |
| 2011/0089059 A1 | 4/2011 | Lane et al. | |
| 2012/0312832 A1 | 12/2012 | Lane | |
| 2014/0339177 A1 | 11/2014 | Lane | |
| 2015/0282654 A1 | 10/2015 | Kurabe et al. | |
| 2017/0253394 A1 * | 9/2017 | Fogarty | A45F 3/16 |
| 2017/0297785 A1 | 10/2017 | Maruyama et al. | |

OTHER PUBLICATIONS

Elio, "Elio Aura Bouteille," Jul. 12, 2018, Amazon.ca, www.amazon.ca/dp/B07DHXRW5V (Year: 2018).*

Ello Products, "Earth Day," Apr. 18, 2018, Facebook.com, www.facebook.com/ElloProducts/photos/a.753323724689903/1794568307232101 (Year: 2018).*

Elio, "Elio Riley 510,3 gram Thermos en acier inoxydable Bouteille d'eau avec fond amovible," Oct. 6, 2018, Amazon.ca, www.amazon.ca/dp/B07HB937DV (Year: 2018).*

Zulu, "Zulu Chase 14oz Stainless Steel Kids Water Bottle," Feb. 26, 2019, Amazon.com, www.amazon.com/dp/B07PP9DGKN (Year: 2019).*

Zulu Athletic, "Zulu Athletic—Studio Glass Water Bottle," Mar. 5, 2019, YouTube.com, www.youtube.com/watch?v=Sbcuf6aaNzQ (Year: 2019).*

Zulu, "Atlas20 oz Glass Water Bottle," accessed on-line at: <https://www.zuluathletic.com/shop-all/atlas-glass-water-bottle> (available at least as early as Mar. 6, 2019).

Kor, "Vida Bottle—25oz," accessed on-line at: <https://waterbottles.com/kor-vida-bottle-25-oz> (available at least as early as Mar. 6, 2019).

Thermos, "Hydration Bottle with Rotating Intake Meter, 24oz," accessed on-line at: <https://www.thermos.com/genuine-thermos-brand-hydration-bottle-with-rotating-intake-meter-24oz.html> (available at least as early as Mar. 6, 2019).

Thermos, "Shaker Bottle with Integrated Mixer, 24oz," accessed on-line at: <https://www.thermos.com/genuine-thermos-brand-shaker-bottle-with-integrated-mixer-24oz-clear-green-accent.html> (available at least as early as Mar. 6, 2019).

Tervis, "Custom Water Bottle," accessed on-line at: <https://www.tervis.com/turtle-sunset-stainless-steel-24oz-stainless-water-bottle-1362572.html> (available at least as early as Mar. 6, 2019).

Swell, "Bottles," accessed on-line at: <https://www.swell.com/shop/swell/bottles/> (available at least as early as Mar. 6, 2019).

Tritan, "32 oz Soft Straw Plastic Water Bottle," accessed on-line at: <http://www.pogogear.com/32oz-tritan-straw> (available at least as early as Mar. 6, 2019).

Tritan, "32oz Chug Plastic Water Bottle," accessed on-line at: <http://www.pogogear.com/32oz-tritan-chug> (available at least as early as Mar. 6, 2019).

Tritan, "18oz Chug Plastic Water Bottle," accessed on-line at: <http://www.pogogear.com/18oz-tritan-chug> (available at least as early as Mar. 6, 2019).

Ello, "chi 24oz BPA-Free Tritan Plastic Water Bottle," accessed on-line at: <https://www.elloproducts.com/water-bottles/chi-24oz-plastic-water-bottle> (available at least as early as Mar. 6, 2019).

Ello, "Dash 16oz 2pk Tritan Plastic Water Bottles," accessed on-line at: <https://www.elloproducts.com/kids/dash-16oz-tritan-plastic-water-bottle> (available at least as early as Mar. 6, 2019).

Ello, "Cru Stemless Wine glass Set with Silicone Protection," accessed on-line at: <https://www.elloproducts.com/tumblers/cru-stemless-wine-glass-set-with-silicone-protection> (available at least as early as March 6, 2019).

(56)

References Cited

OTHER PUBLICATIONS

Ello, "Elsie 22oz Glass Water Bottle," accessed on-line at: <https://www.elloproducts.com/water-bottles/elsie-22oz-glass-water-bottle> (available at least as early as Mar. 6, 2019).

Ello, "Beacon 24oz Vacuum Insulated Stainless Tumbler," accessed on-line at: <https://www.elloproducts.com/tumblers/beacon-24oz-vacuum-insulated-stainless-tumbler> (available at least as early as Mar. 6, 2019).

Ello, "Rise 12oz Vacuum Insulated Stainless Steel Tumbler with Optional Straw," accessed on-line at: <https://www.elloproducts.com/kids/rise-12oz-vacuum-insulated-stainless-steel-tumbler> (available at least as early as Mar. 6, 2019).

Ello, "Hammertime 18oz Stainless Steel Travel Mug," accessed on-line at: <https://www.elloproducts.com/travel-mugs/hammertime-18oz-vacuum-insulated-stainless-steel-travel-mug> (available at least as early as Mar. 6, 2019).

Ello, "Pure 20oz Glass Water Bottle," accessed on-line at: <https://www.elloproducts.com/water-bottles/pure-20oz-glass-water-bottle> (available at least as early as Mar. 6, 2019).

Ello, "Max 12oz Vacuum-Insulated Stainless Steel Kids Water Bottle," accessed on-line at: <https://www.elloproducts.com/kids/max-12oz-vacuum-insulated-stainless-steel-kids-water-bottle> (available at least as early as Mar. 6, 2019).

Ello, "Syndicate 20oz Glass Water Bottle," accessed on-line at: <https://www.elloproducts.com/water-bottles/syndicate-20oz-glass-water-bottle> (available at least as early as Mar. 6, 2019).

Camelbak, "Eddy+ 1L Bottle," accessed on-line at: https://www.camelbak.com/en/bottles/R02056—Eddy_75L_2019?color=6bbd0584f3a64b0eb30d406f7e03797e (available at least as early as Mar. 6, 2019).

Contigo, "Autoseal West Loop 2.0 Stainless," accessed on-line at: <https://www.gocontigo.com/20-oz-autoseal-west-loop-stainless-travel-mug-with-easy-clean-lid.html> (available at least as early as Mar. 6, 2019).

Contigo, "Autospout Straw Striker Chill," accessed on-line at: <https://www.gocontigo.com/14-oz-autospout-striker-kids-water-bottle.html> (available at least as early as Mar. 6, 2019).

Zojirushi, "Travel Mug SM-YAE48," accessed on-line at: <https://www.zojirushi.com/app/product/smyae> (available at least as early as Mar. 6, 2019).

Zojirushi, "Stainless Mug SM-KC3648," accessed on-line at: <https://www.zojirushi.com/app/product/smkc> (available at least as early as Mar. 6, 2019).

Zojirushi, "Stainless Bottle SJ-JS10," accessed on-line at: <https://www.zojirushi.com/app/product/sjjs> (available at least as early as Mar. 6, 2019).

Zojirushi, "Flip-and-Go Stainless Mug SM-QHE48/60," accessed on-line at: <https://www.zojirushi.com/app/product/smqhe> (available at least as early as Mar. 6, 2019).

Zojirushi, "Stainless Mug SM-TAE48SA, Ichimatsu Collection," accessed on-line at: <https://www.zojirushi.com/app/product/smtae> (available at least as early as Mar. 6, 2019).

Zojirushi, "Stainless Mug SM-TA36/48/60," accessed on-line at: <https://www.zojirushi.com/app/product/smta> (available at least as early as Mar. 6, 2019).

Zojirushi, "Stainless Mug SM-SE36/48/60," accessed on-line at: <https://www.zojirushi.com/app/product/smse> (available at least as early as Mar. 6, 2019).

Zojirushi, "Stainless Mug SM-SD36/48/60," accessed on-line at: <https://www.zojirushi.com/app/product/smsd> (available at least as early as Mar. 6, 2019).

Zojirushi, "Stainless Mug SM-SHE48160," accessed on-line at: <https://www.zojirushi.com/app/product/smshe> (available at least as early as Mar. 6, 2019).

Zojirushi, "Stainless Mug SM-KHE36148," accessed on-line at: <https://www.zojirushi.com/app/product/smkhe> (available at least as early as Mar. 6, 2019).

Zojirushi, "Stainless Mug SM-SC36/48/60" accessed on-line at: <https://www.zojirushi.com/app/product/smsc> (available at least as early as Mar. 6, 2019).

Zojirushi, "Stainless Mug SM-KC36148," accessed on-line at: <https://www.zojirushi.com/app/product/smkc> (available at least as early as Mar. 6, 2019).

Zojirushi, "Stainless Mug SM-PC20130," accessed on-line at: <https://www.zojirushi.com/app/product/smpc> (available at least as early as Mar. 6, 2019).

Zojirushi, "Stainless Mug SM-PB30/34," accessed on-line at: <https://www.zojirushi.com/app/product/smpb> (available at least as early as Mar. 6, 2019).

Migo, "Enjoy Sport Water Bottle," accessed on-line at: <https://www.pinterest.ru/pin/12666442685646757/> (available at least as early as Mar. 6, 2019).

Coleman, "Switch SS," accessed on-line at: https://www.coleman.com/all-camp-kitchen/drinkware/switch-ss/col_2038485_pr/COL_2038485 (available at least as early as Mar. 6, 2019).

Corkcicle, "Classic Arctican," accessed on-line at: <https://corkcicle.com/products/classic-arctican?variant=475182759951> (available at least as early as Mar. 6, 2019).

* cited by examiner

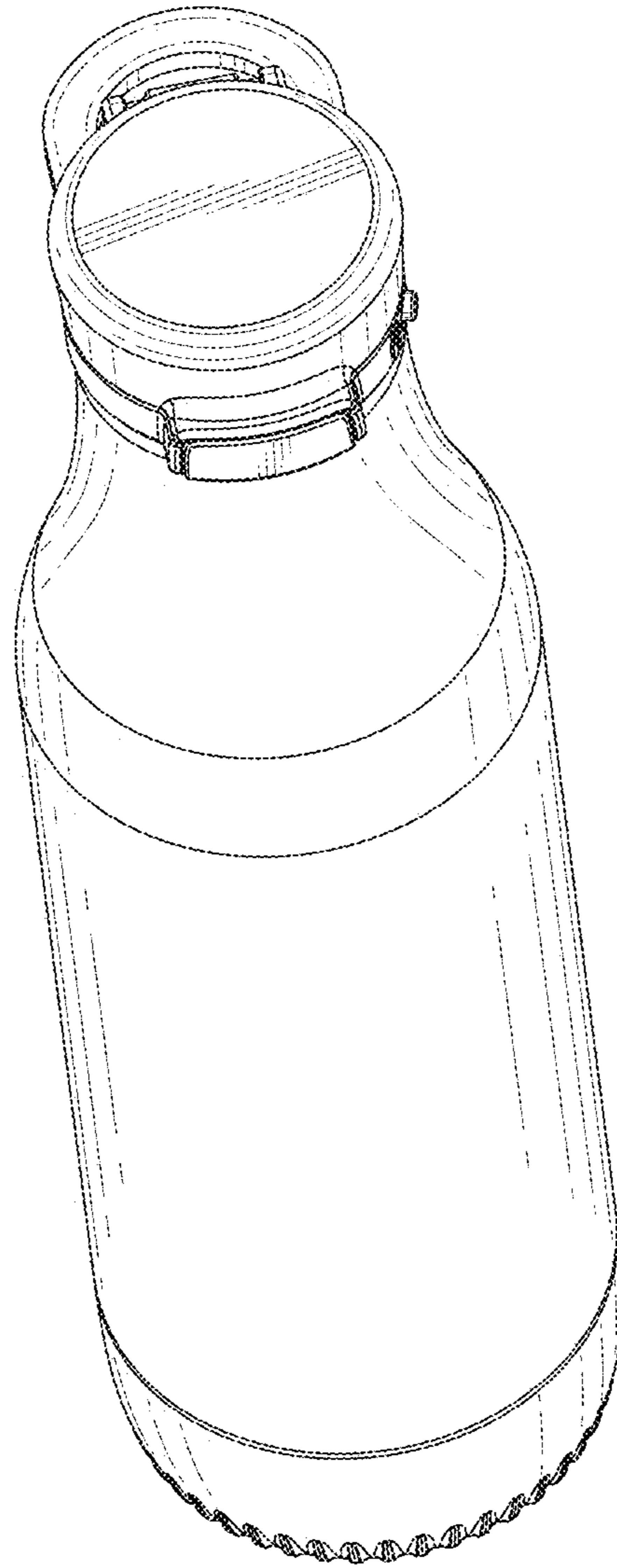


FIG. 1

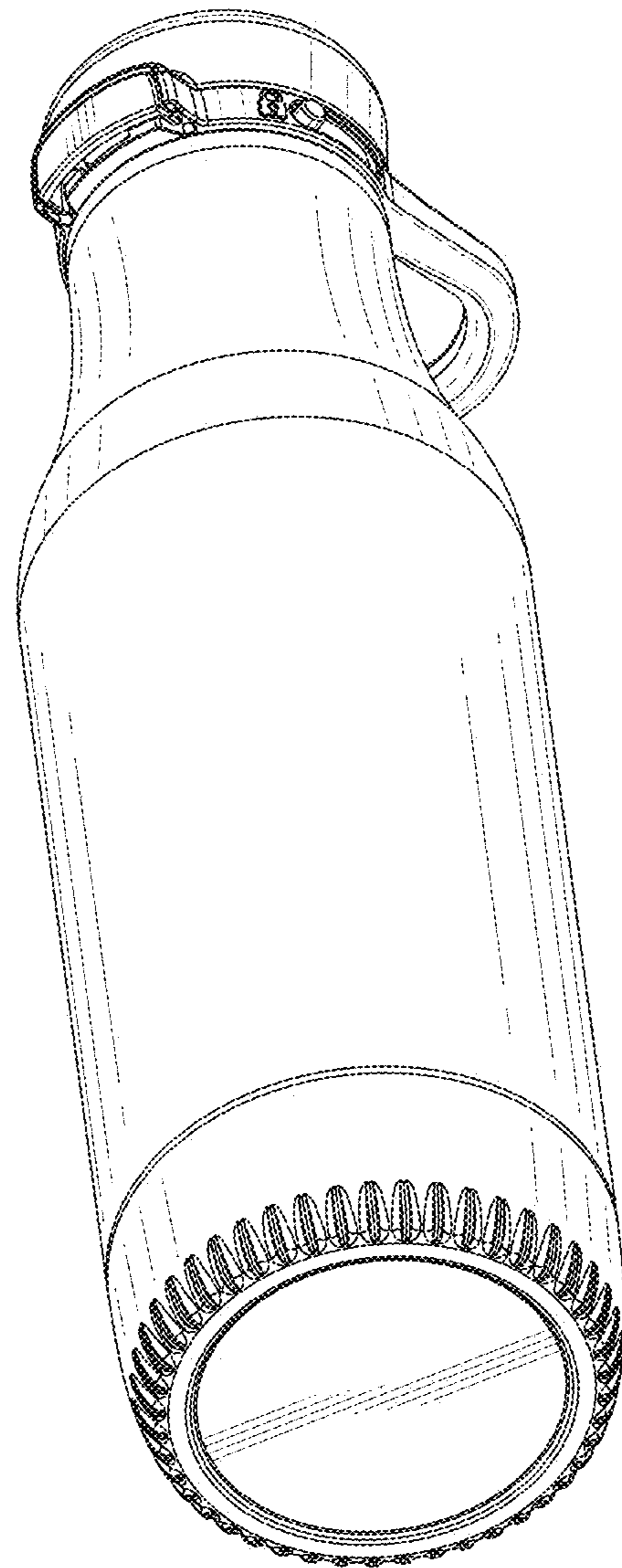


FIG. 2

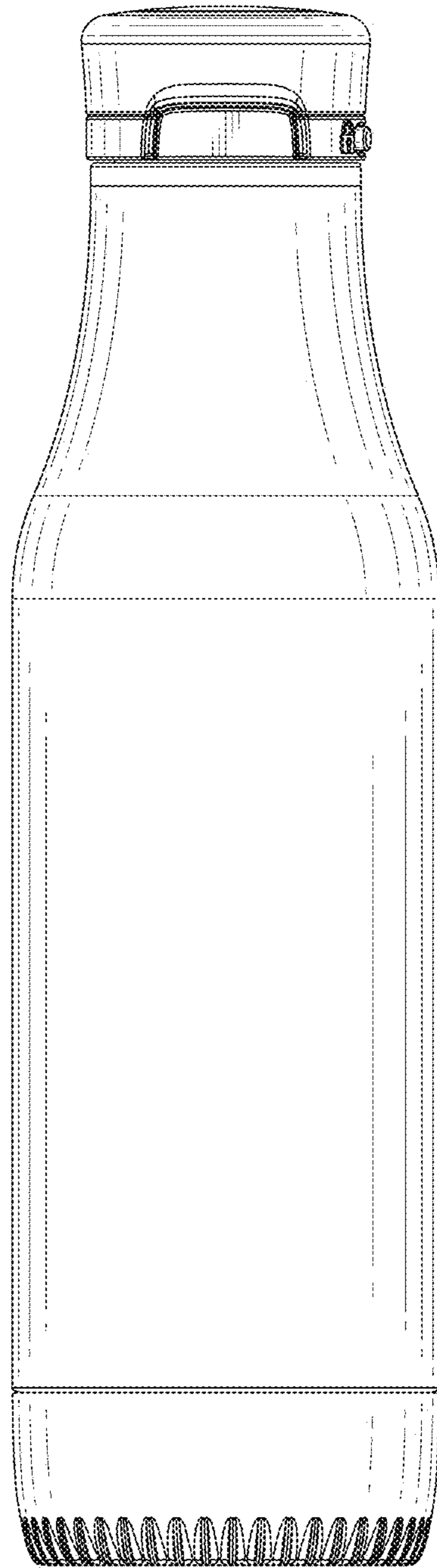


FIG. 3

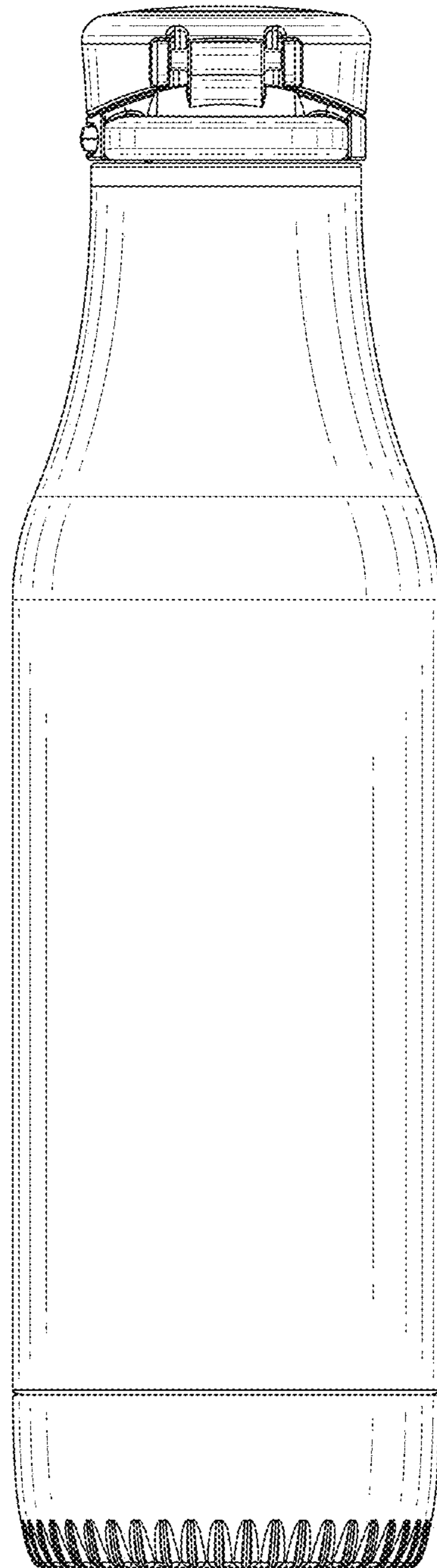


FIG. 4

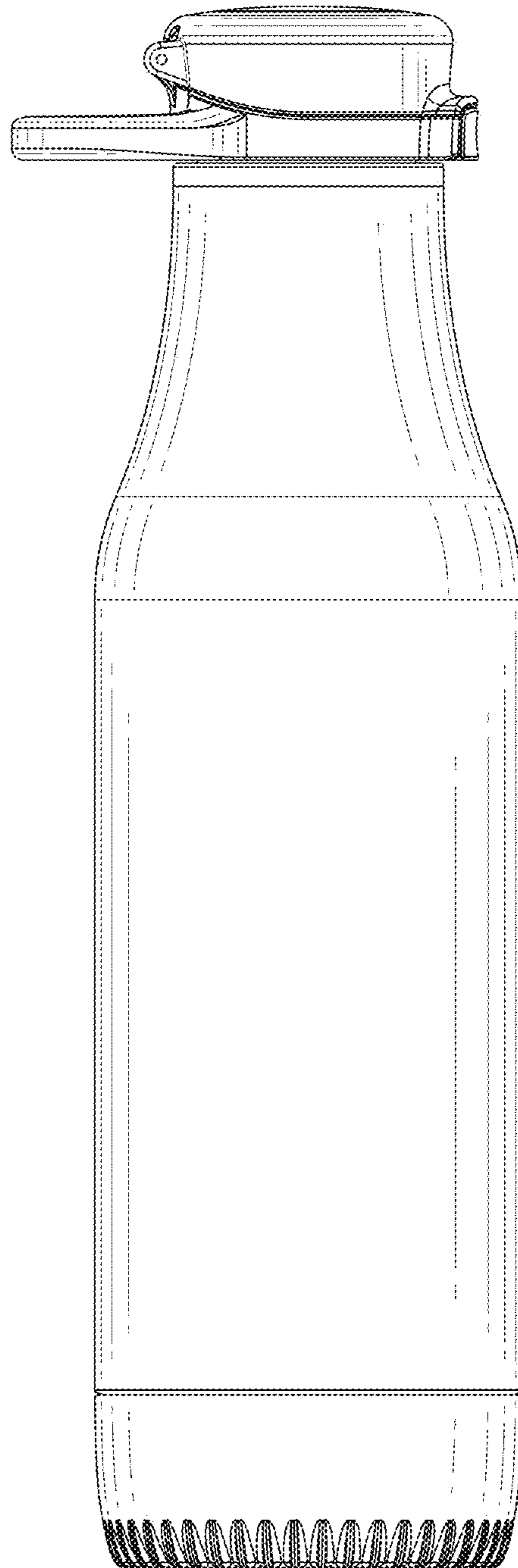


FIG. 5

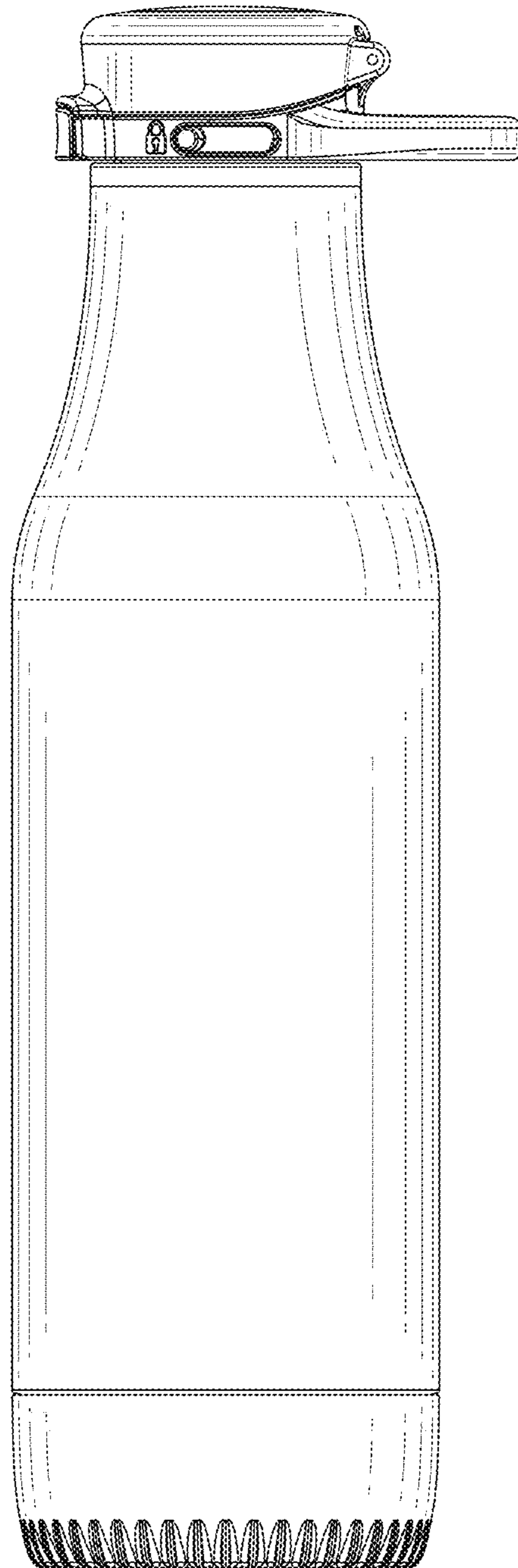


FIG. 6

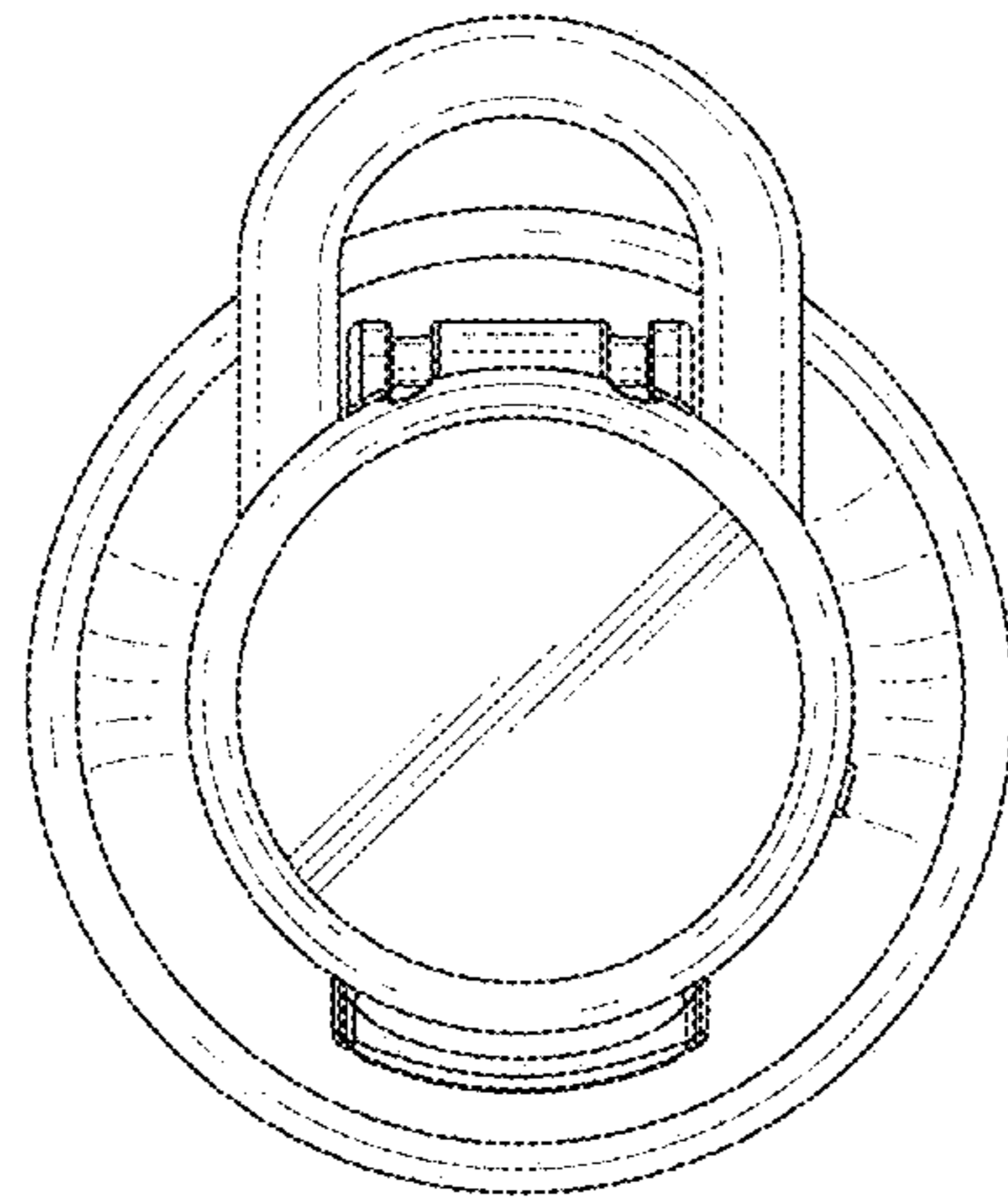


FIG. 7

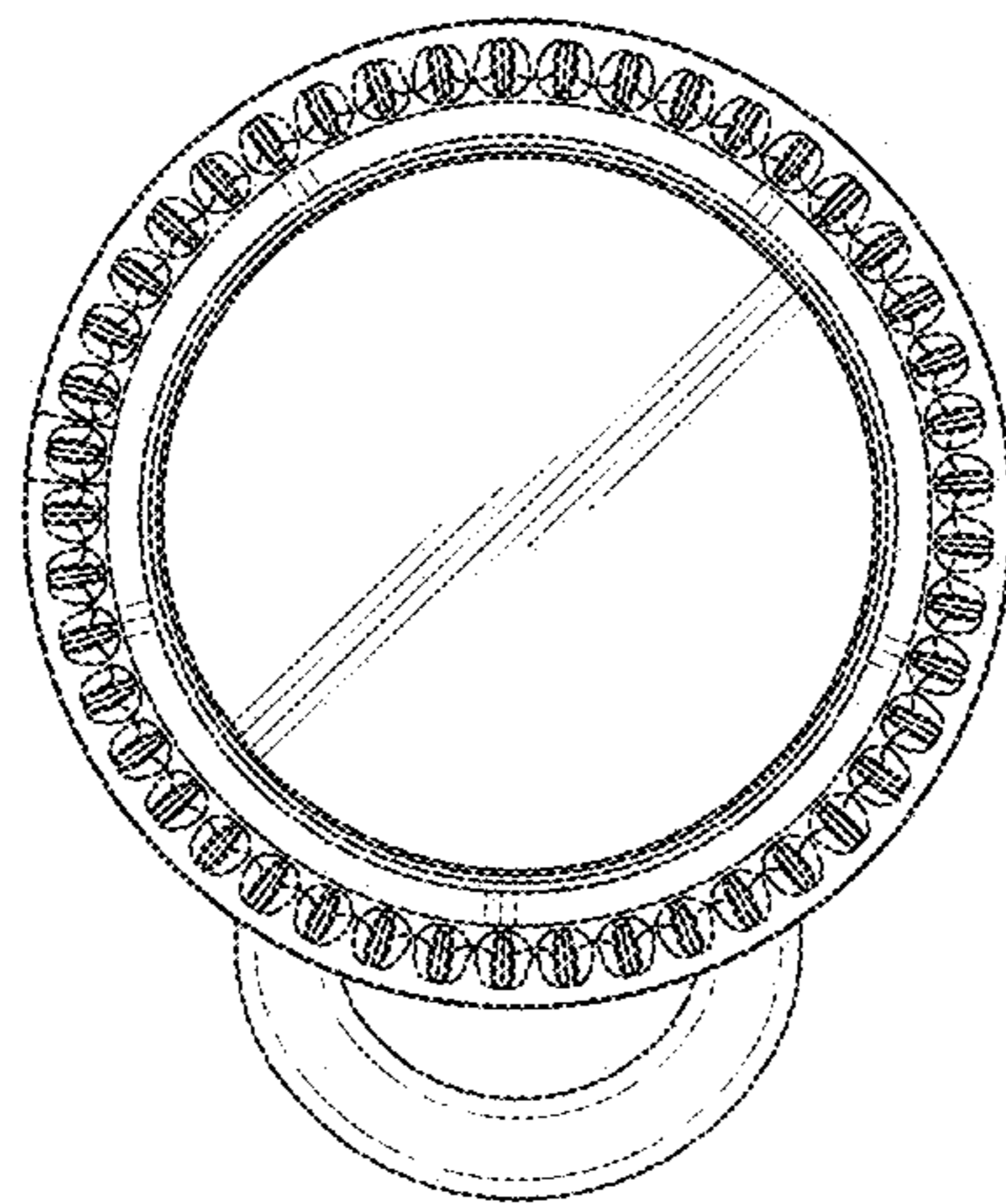


FIG. 8