



US00D925286S

(12) **United States Design Patent**  
**Lown**

(10) **Patent No.:** **US D925,286 S**  
(45) **Date of Patent:** **\*\* Jul. 20, 2021**

(54) **FLUID CONTAINER**

- (71) Applicant: **Takeya USA Corporation**, Huntington Beach, CA (US)
- (72) Inventor: **John M. Lown**, Huntington Beach, CA (US)
- (73) Assignee: **Takeya USA Corporation**, Costa Mesa, CA (US)

(\*\*) Term: **15 Years**

(21) Appl. No.: **29/693,053**

(22) Filed: **May 30, 2019**

(51) **LOC (13) Cl.** ..... **07-01**

(52) **U.S. Cl.**

USPC ..... **D7/510; D7/511**

(58) **Field of Classification Search**

USPC ..... D7/507, 509, 510, 511, 513, 529, 531,  
D7/532, 523, 533, 534, 535, 536, 392.1,  
D7/296.1, 396.2, 300.1, 608, 300, 320,  
D7/624.1, 624.2; D3/202; D9/501, 502,  
D9/503, 504, 530, 529, 522, 554, 567,  
D9/571, 569, 449, 516, 523, 524, 543,  
D9/565, 575, 556

CPC ..... A47G 19/22; A47G 19/2288; A47G  
19/2205; A47G 19/2211; A47J 41/0077;  
A45F 3/16

See application file for complete search history.

(56) **References Cited**

**U.S. PATENT DOCUMENTS**

D622,545 S \* 8/2010 Wahl ..... D7/510  
D729,579 S \* 5/2015 Molayem ..... D7/507  
D791,550 S \* 7/2017 Marret ..... D7/511

(Continued)

**FOREIGN PATENT DOCUMENTS**

JP 1631072 5/2019  
JP 1631073 5/2019

**OTHER PUBLICATIONS**

Office Action on corresponding foreign application (JP Application No. 2019-012658) from the Japanese Intellectual Property Office dated Jul. 21, 2020.

*Primary Examiner* — Jae Liang

(74) *Attorney, Agent, or Firm* — Klein, O'Neill & Singh, LLP

(57) **CLAIM**

The ornamental design for a fluid container, as shown and described.

**DESCRIPTION**

FIG. 1 is a front perspective view of a fluid container embodying my new design, which has a lid attached to a container vessel;

FIG. 2 is a rear perspective view thereof;

FIG. 3 is a front perspective view thereof, with the lid of the fluid container in an open position;

FIG. 4 is a rear perspective view thereof;

FIG. 5 is a front elevation view of the fluid container of FIG. 1;

FIG. 6 is a right elevation view thereof;

FIG. 7 is a rear elevation view thereof;

FIG. 8 is a top plan view thereof;

FIG. 9 is a bottom plan view thereof;

FIG. 10 is a front elevation view of a second embodiment of a fluid container embodying the new design, which has a lid attached to a container vessel and wherein the lid is in an open position;

FIG. 11 is a rear elevation view thereof;

FIG. 12 is a left elevation view thereof;

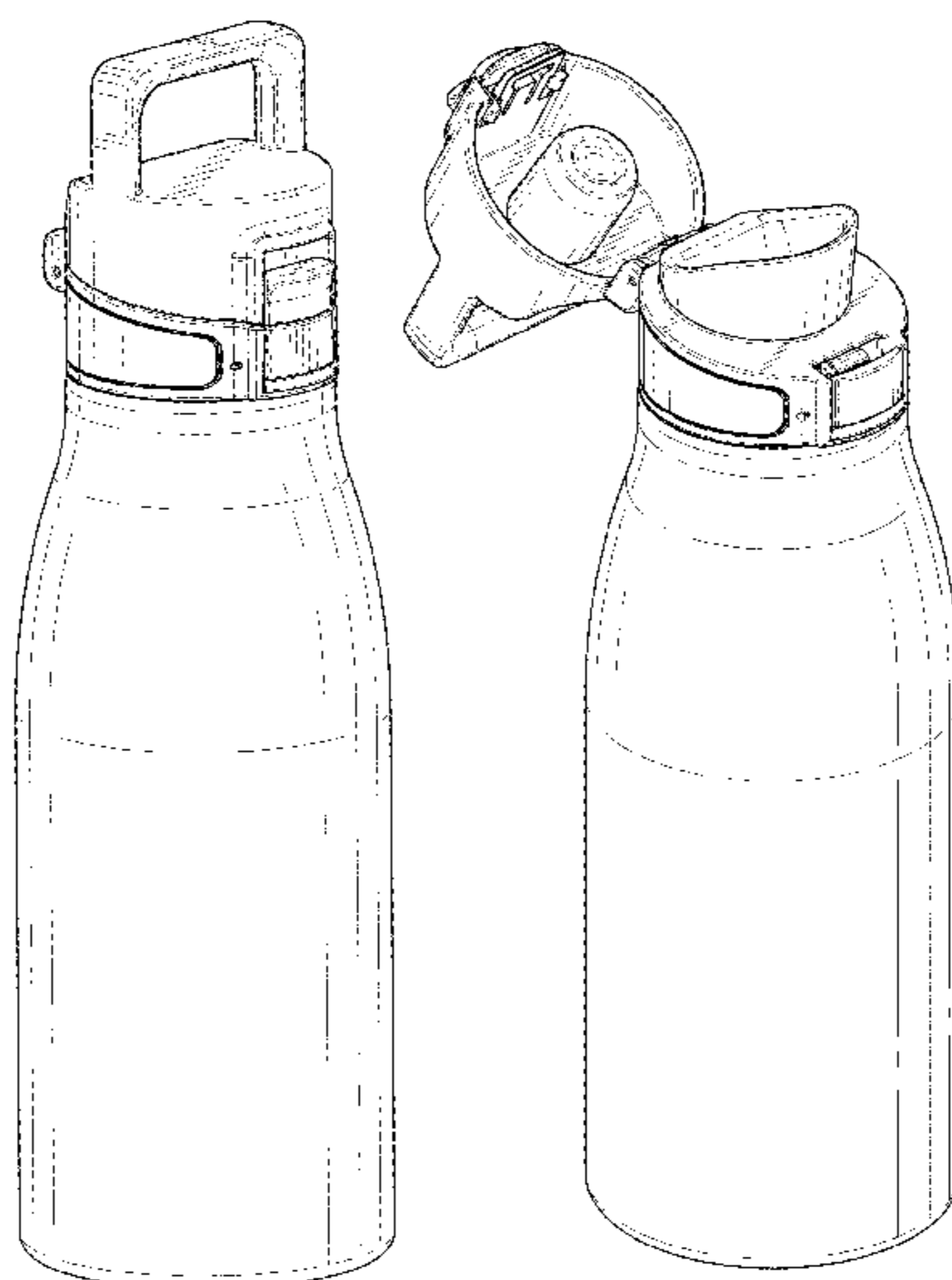
FIG. 13 is a top plan view thereof; and,

FIG. 14 is a bottom plan view thereof.

Broken lines are for illustrative purpose only and form no part of the claimed design.

The shading lines only help to show the shape and do not depict any surface decoration.

**1 Claim, 9 Drawing Sheets**



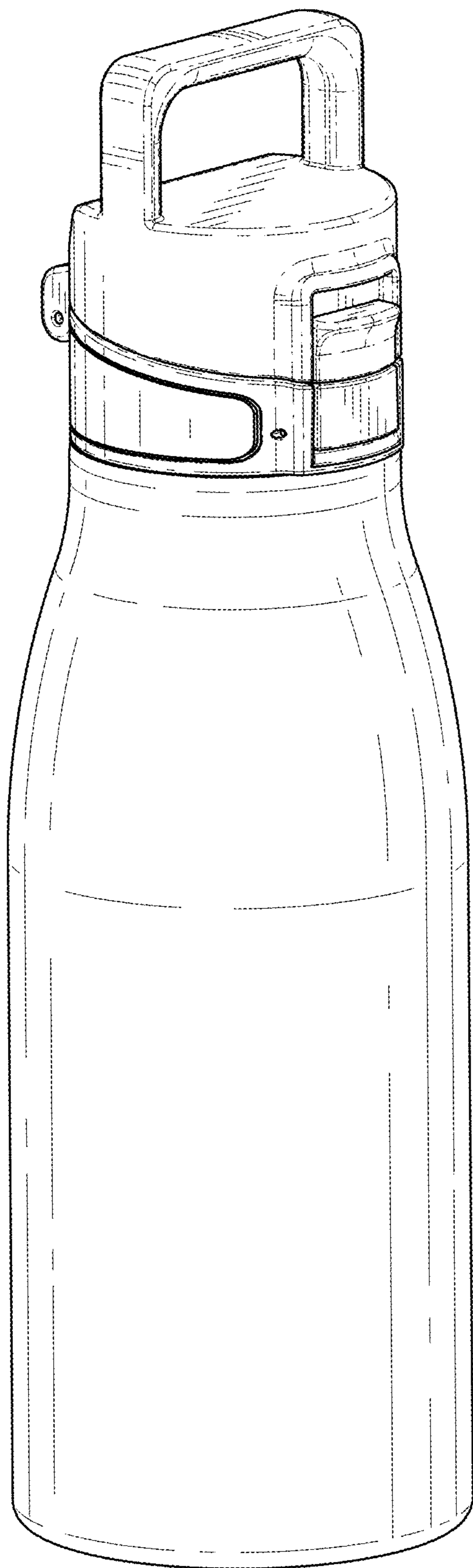
(56)

**References Cited**

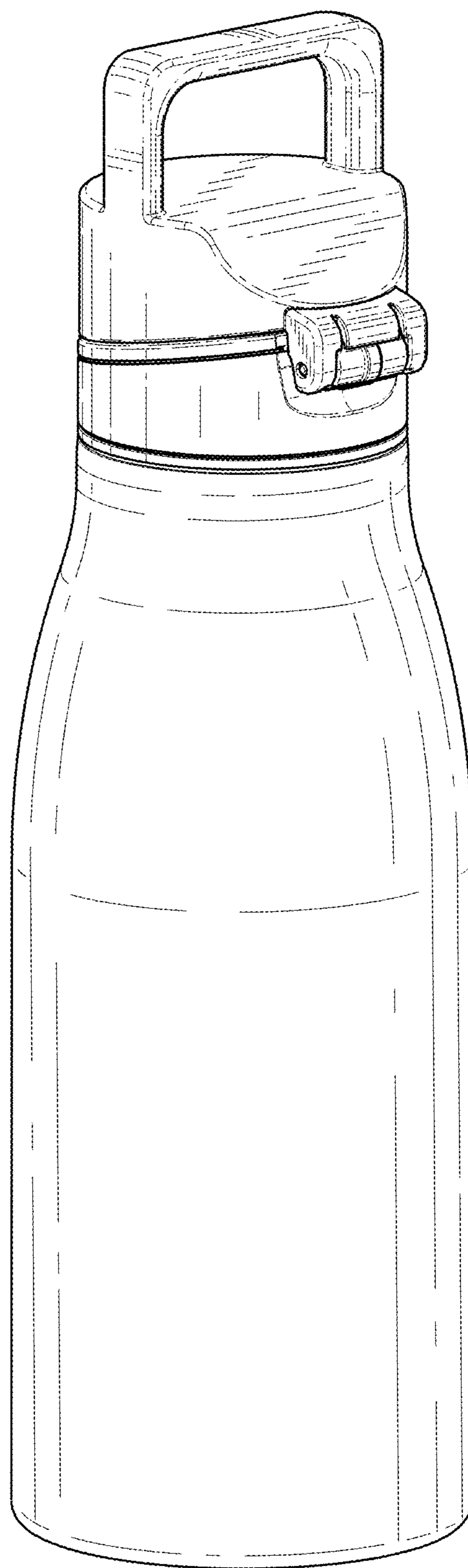
U.S. PATENT DOCUMENTS

D813,613 S *	3/2018	Wall .....	D7/608
D856,757 S *	8/2019	Seiders .....	D7/608
D862,228 S *	10/2019	Yao .....	D9/443
D871,842 S *	1/2020	Yao .....	D7/510
D881,649 S *	4/2020	Fleischhut .....	D7/510
D883,033 S *	5/2020	Bo .....	D7/523
D889,206 S *	7/2020	Bo .....	D7/523
D893,259 S	8/2020	McCready et al.	
D893,261 S	8/2020	Lown	
D893,938 S *	8/2020	Kander .....	D7/392.1
D893,939 S	8/2020	Breit et al.	
D893,940 S	8/2020	Breit et al.	
D895,361 S	9/2020	Wang et al.	
D897,157 S	9/2020	McCabe et al.	
D897,158 S	9/2020	Gilmore, III et al.	
D897,159 S	9/2020	McCabe et al.	

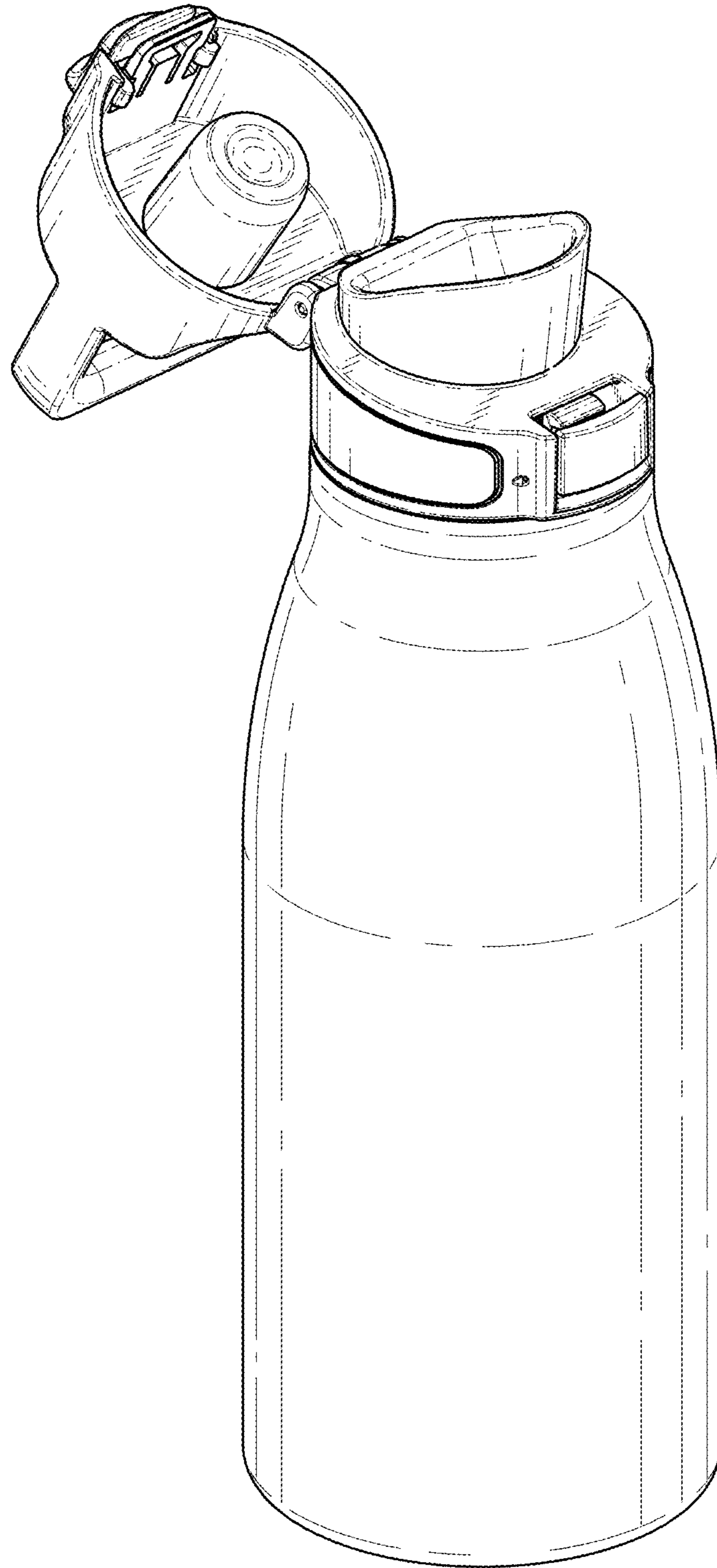
\* cited by examiner



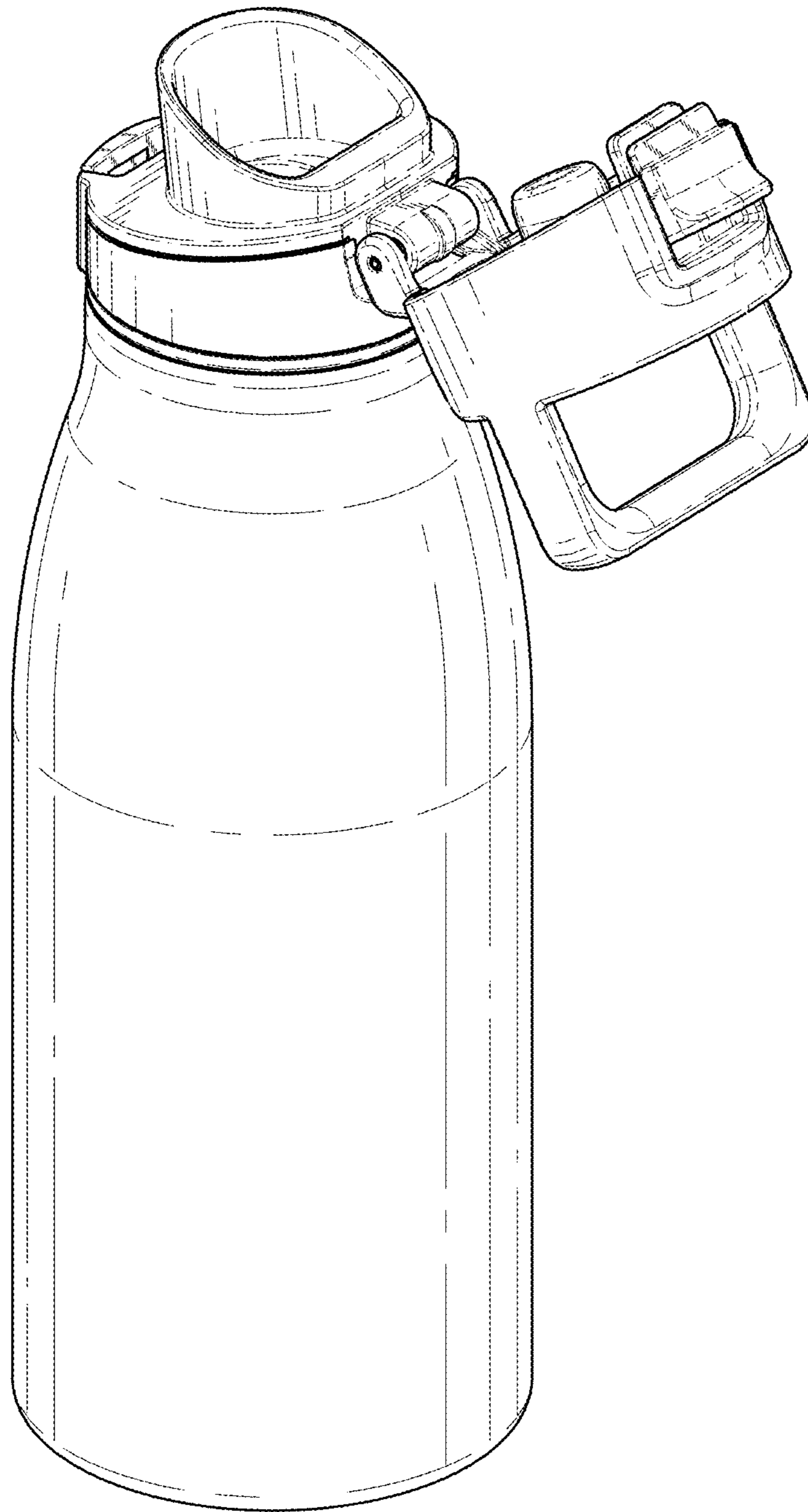
*FIG. 1*



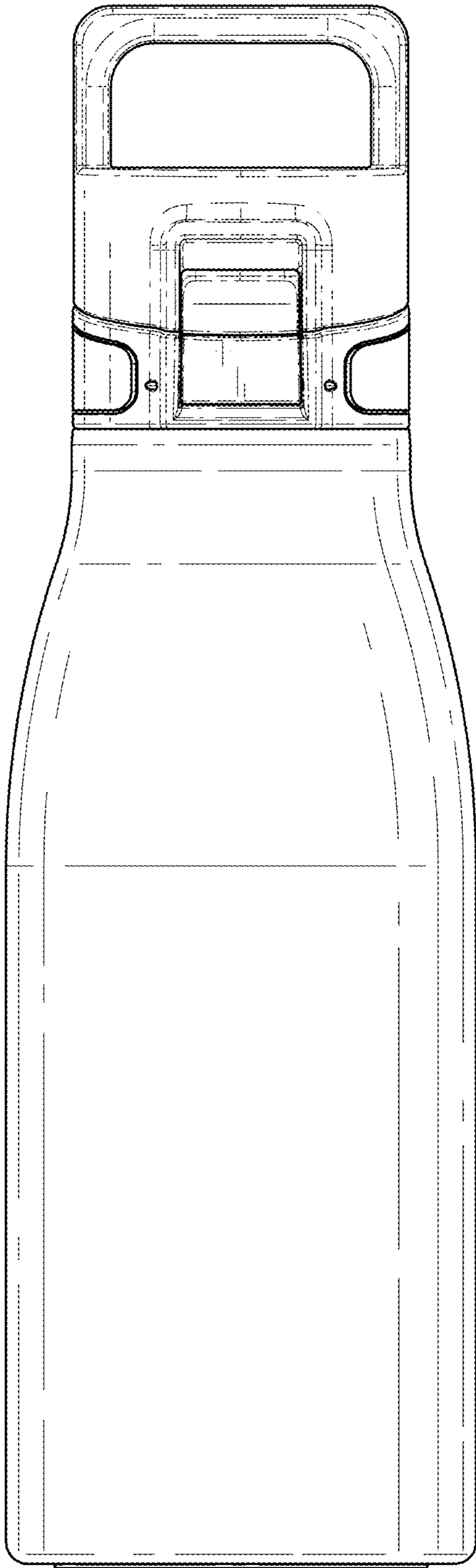
*FIG. 2*



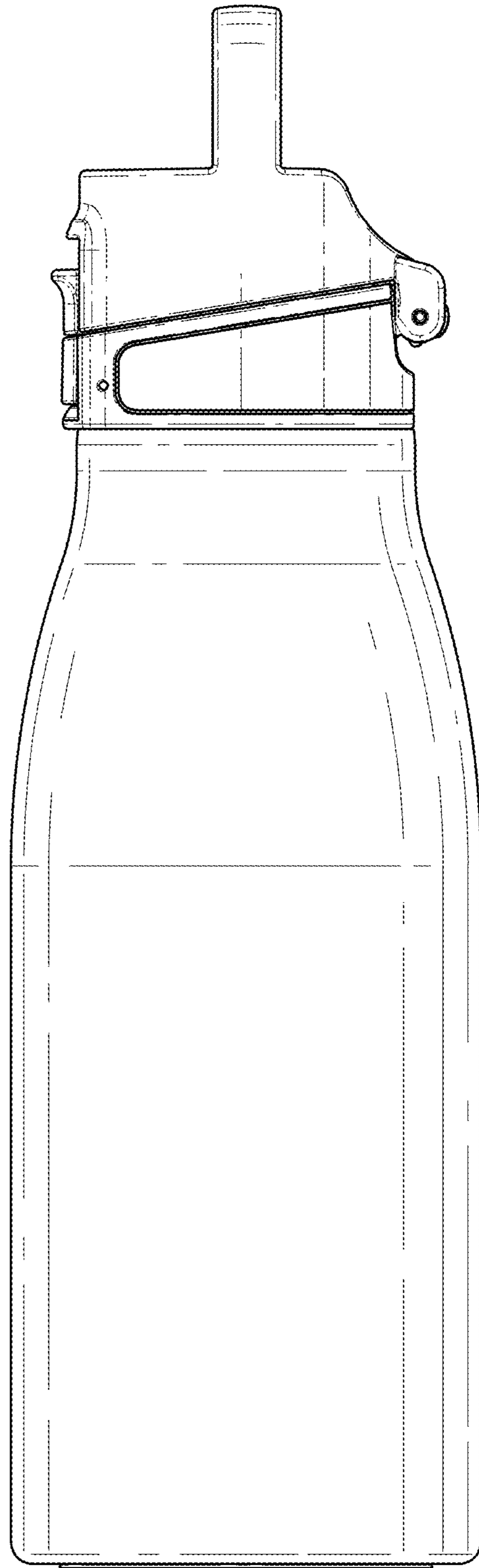
*FIG. 3*



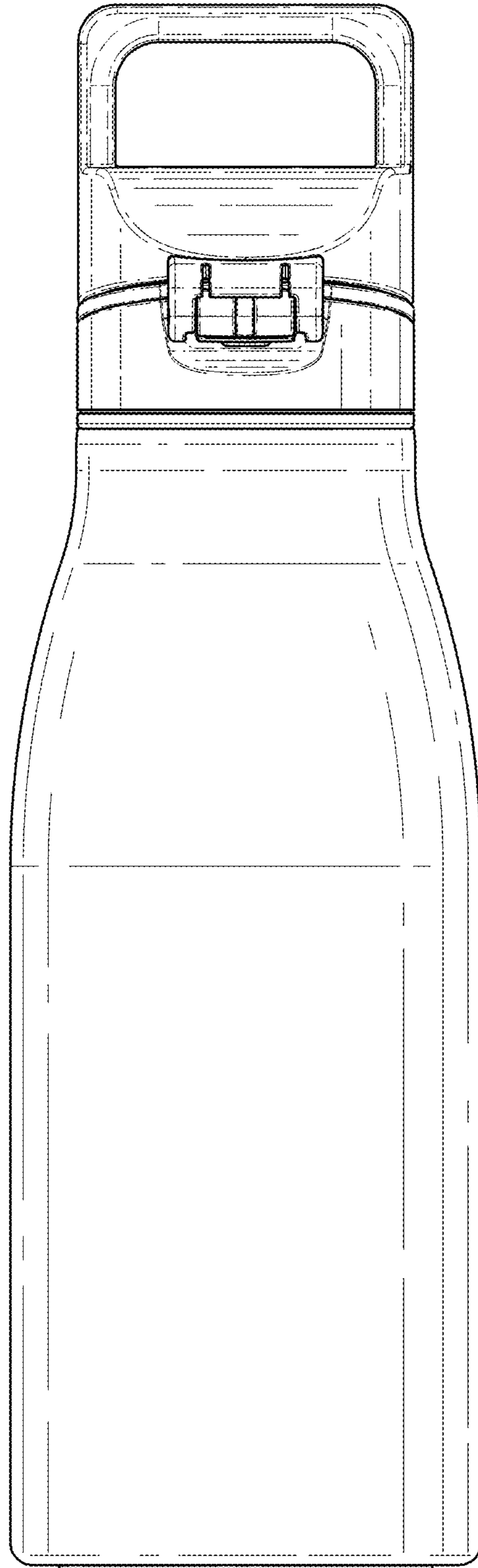
*FIG. 4*



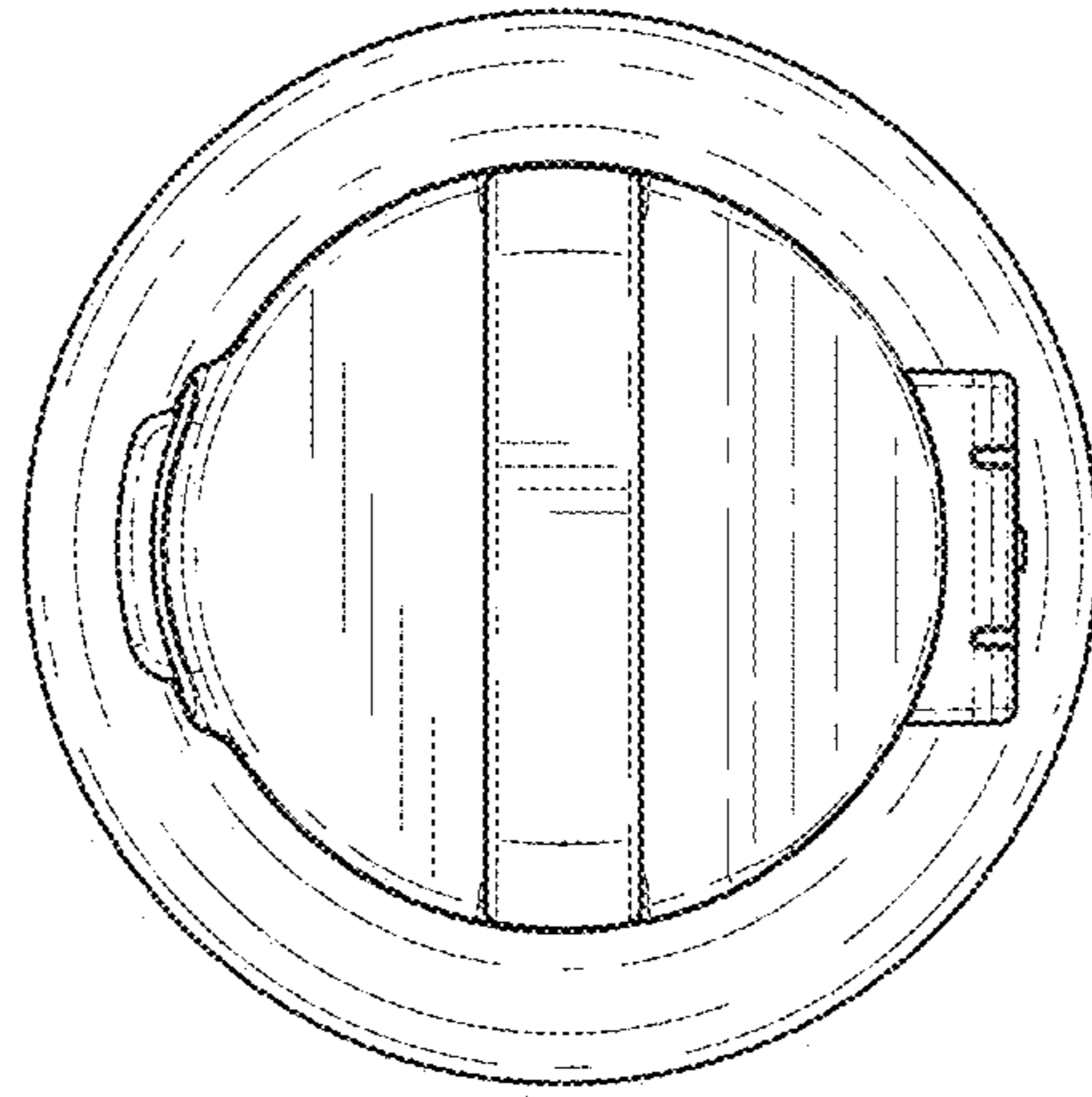
*FIG. 5*



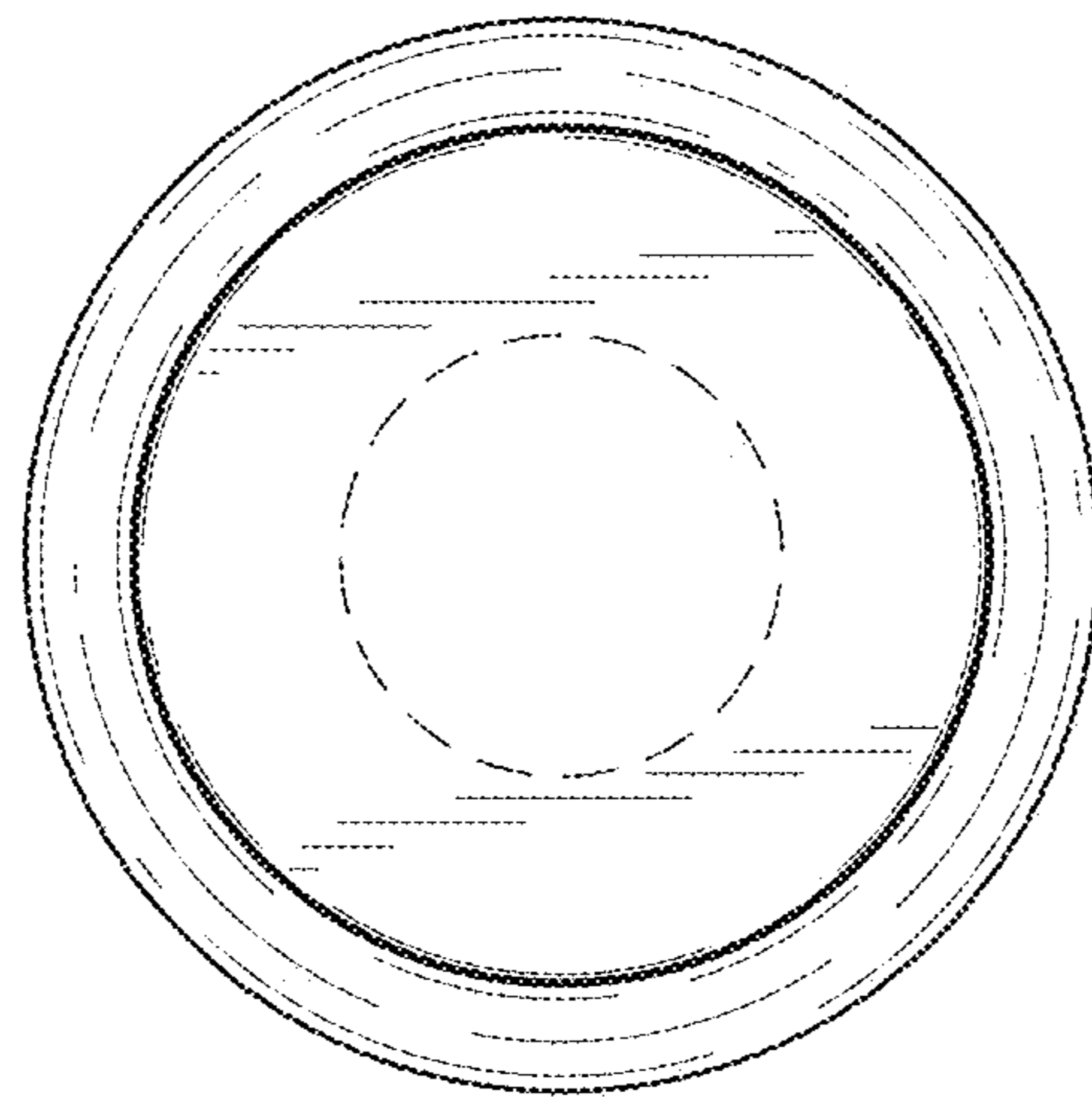
*FIG. 6*



*FIG. 7*

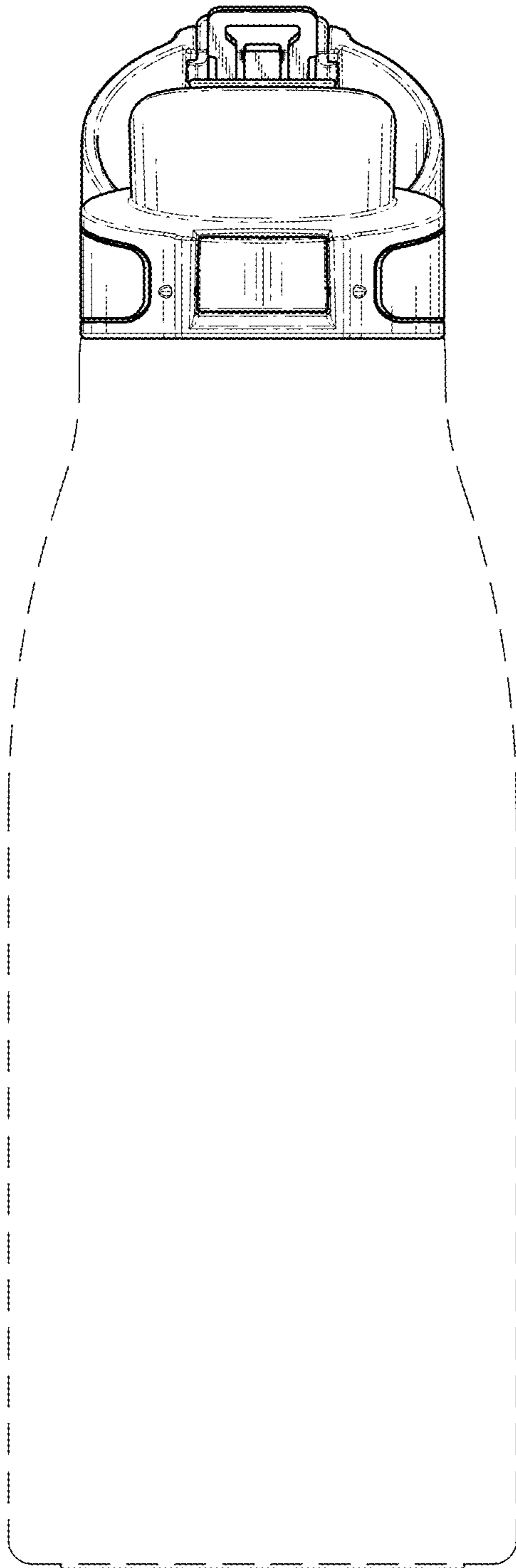


*FIG. 8*

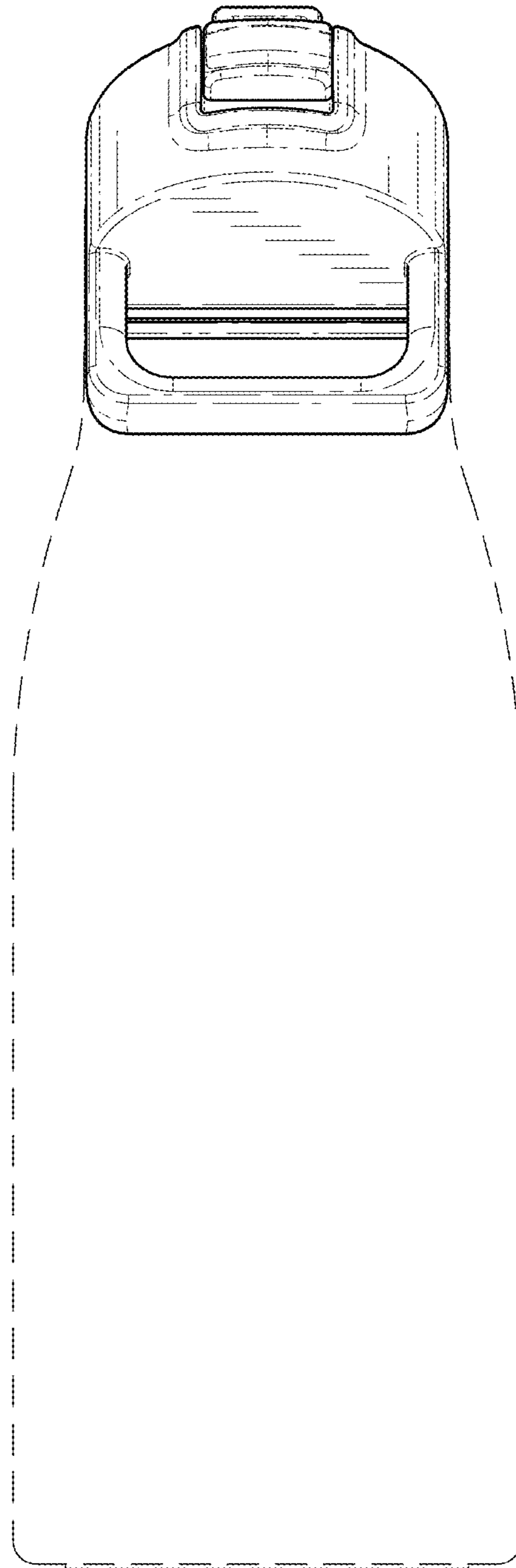


*FIG. 9*

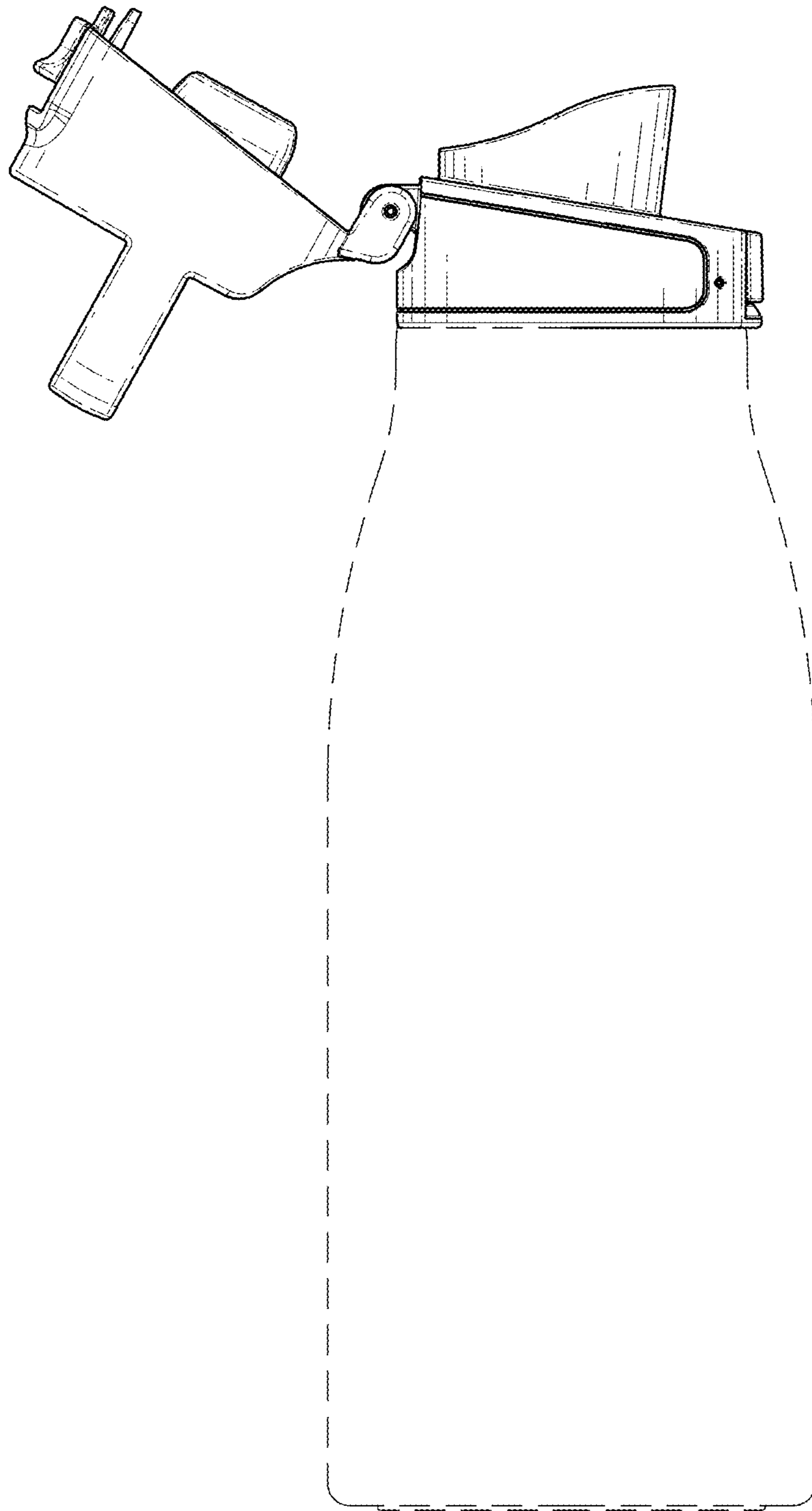




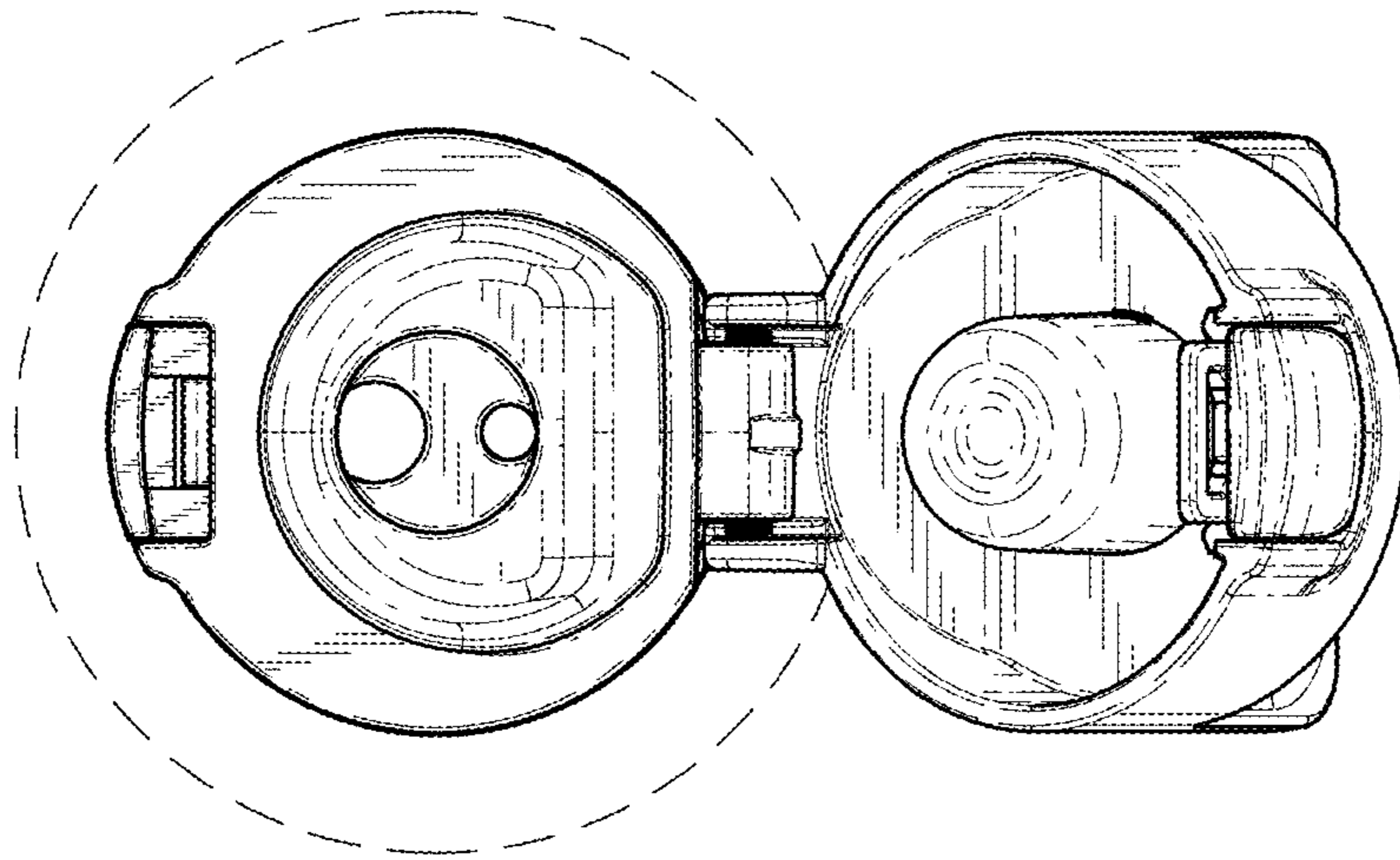
*FIG. 10*



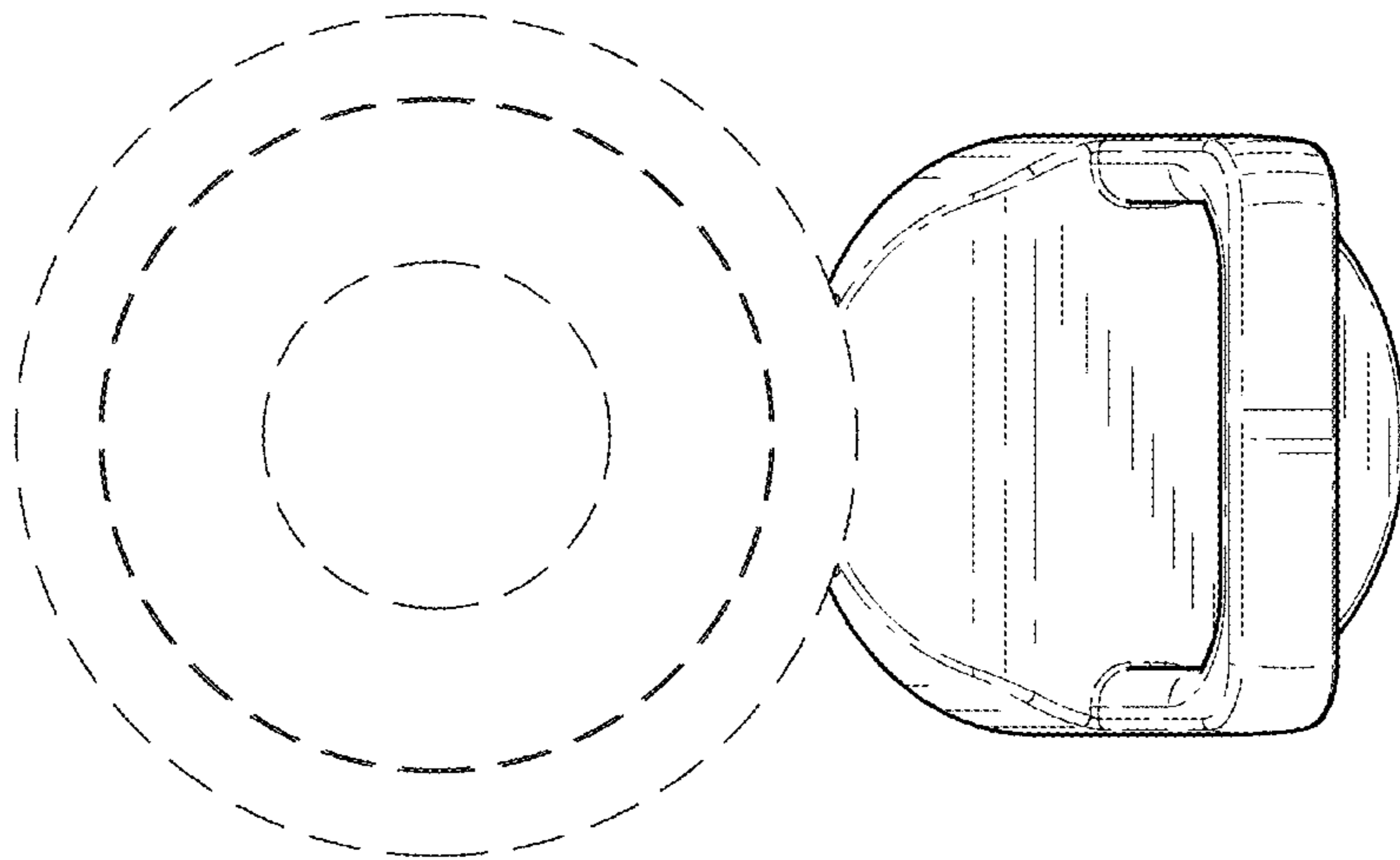
*FIG. 11*



*FIG. 12*



*FIG. 13*



*FIG. 14*