



US00D925285S

(12) **United States Design Patent**  
**Kasha**

(10) **Patent No.:** **US D925,285 S**

(45) **Date of Patent:** **\*\* Jul. 20, 2021**

(54) **DOUBLE-WALLED DRINKING GLASS**

(71) Applicant: **Adam Kasha**, Ann Arbor, MI (US)

(72) Inventor: **Adam Kasha**, Ann Arbor, MI (US)

(\*\*) Term: **15 Years**

(21) Appl. No.: **29/626,672**

(22) Filed: **Nov. 18, 2017**

(51) **LOC (13) Cl.** ..... **07-01**

(52) **U.S. Cl.**

USPC ..... **D7/509**; D7/523

(58) **Field of Classification Search**

USPC ..... D7/507, 509, 510, 511, 523, 528, 529,  
D7/530, 531, 397, 622, 533, 536, 500,  
D7/584, 532; D9/523, 552, 542, 569,  
D9/530, 531, 570, 453; D11/152, 153,  
D11/143, 144

CPC ..... A47G 19/22; A47G 19/2272; A47G  
19/2288; A47G 19/2205; B65D 1/265;  
B65D 47/066; A47J 41/02; A47J 41/0077;  
A47J 43/27

See application file for complete search history.

(56) **References Cited**

**U.S. PATENT DOCUMENTS**

- 2,839,209 A \* 6/1958 Lester ..... A47G 19/22  
215/13.1
- 3,781,164 A \* 12/1973 McCaffery ..... F21V 35/00  
220/659
- D260,470 S \* 9/1981 Angelakos ..... D7/507
- 4,525,950 A \* 7/1985 Glassman ..... A47G 7/06  
428/13
- 5,090,213 A \* 2/1992 Glassman ..... A47G 19/2288  
62/457.2
- 5,353,546 A \* 10/1994 Bock ..... A47G 7/06  
239/51.5
- D388,892 S \* 1/1998 Ratia ..... D26/9

- D463,715 S \* 10/2002 Dretzka ..... D7/523
- D502,365 S \* 3/2005 Dretzka ..... D7/509
- D519,785 S \* 5/2006 Bodum ..... D7/509
- 7,124,603 B2 \* 10/2006 Bianco ..... A47G 19/2288  
62/457.3
- D550,034 S \* 9/2007 Bodum ..... D7/509
- D557,075 S \* 12/2007 Lucaci ..... D7/509
- D597,792 S \* 8/2009 Lion ..... D7/509
- D631,294 S \* 1/2011 Ross ..... D7/507
- D643,317 S \* 8/2011 Clear ..... D10/46.3
- D665,231 S \* 8/2012 Pola ..... D7/507
- D667,151 S \* 9/2012 Arslanian ..... D26/9
- D672,481 S \* 12/2012 Arslanian ..... D26/22
- D698,603 S \* 2/2014 Huckestein ..... D7/509
- D731,916 S \* 6/2015 Kasha ..... A47G 7/06  
D11/153
- D744,283 S \* 12/2015 Thun ..... D7/509
- D806,478 S \* 1/2018 Struggl ..... D7/523
- D825,994 S \* 8/2018 McConnell ..... D7/523
- D828,101 S \* 9/2018 Kasha ..... D7/584
- D828,103 S \* 9/2018 Kasha ..... D7/584
- D828,725 S \* 9/2018 Kasha ..... D7/584

(Continued)

*Primary Examiner* — Jae Liang

(74) *Attorney, Agent, or Firm* — Law Offices of John G. Posa

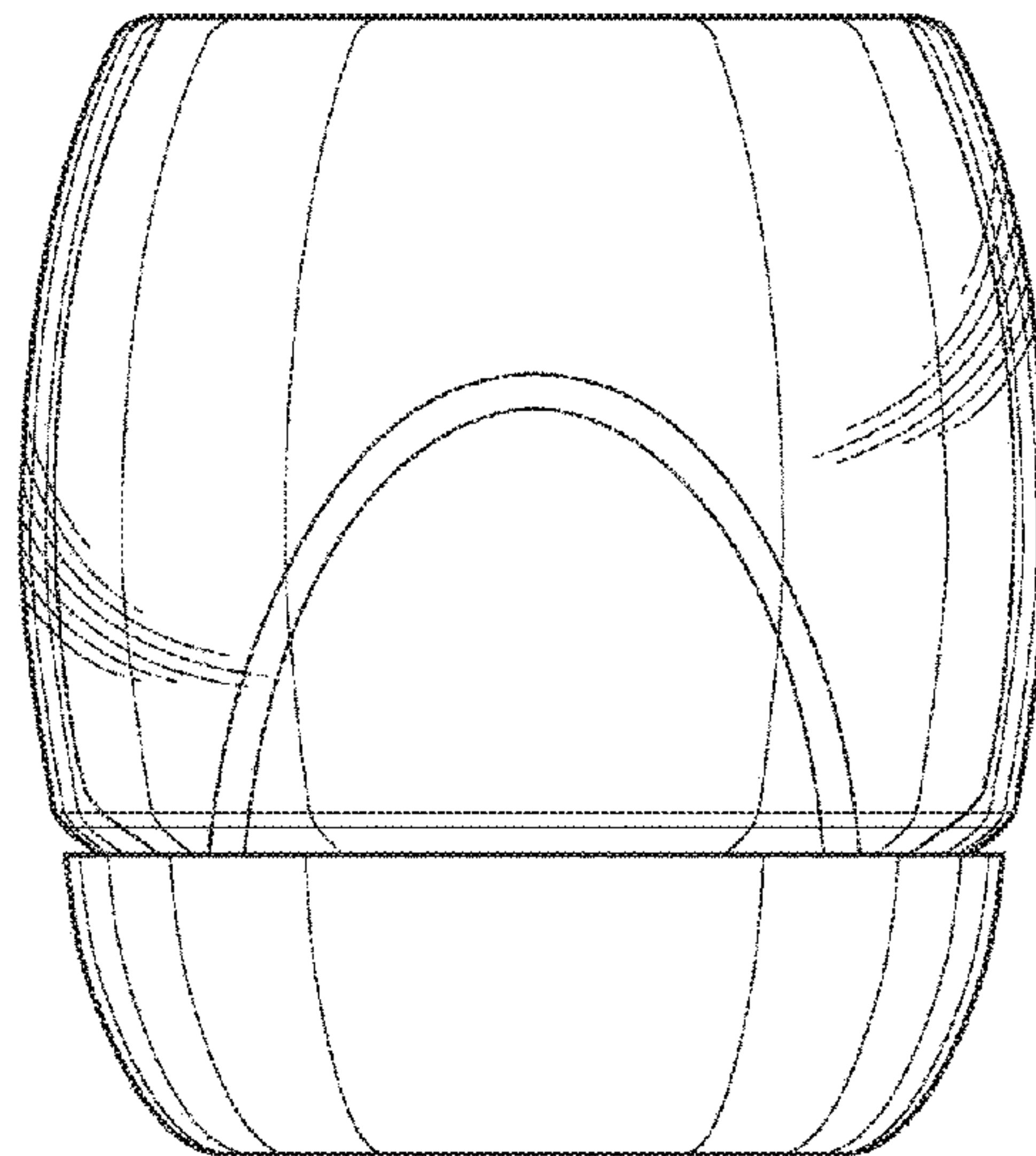
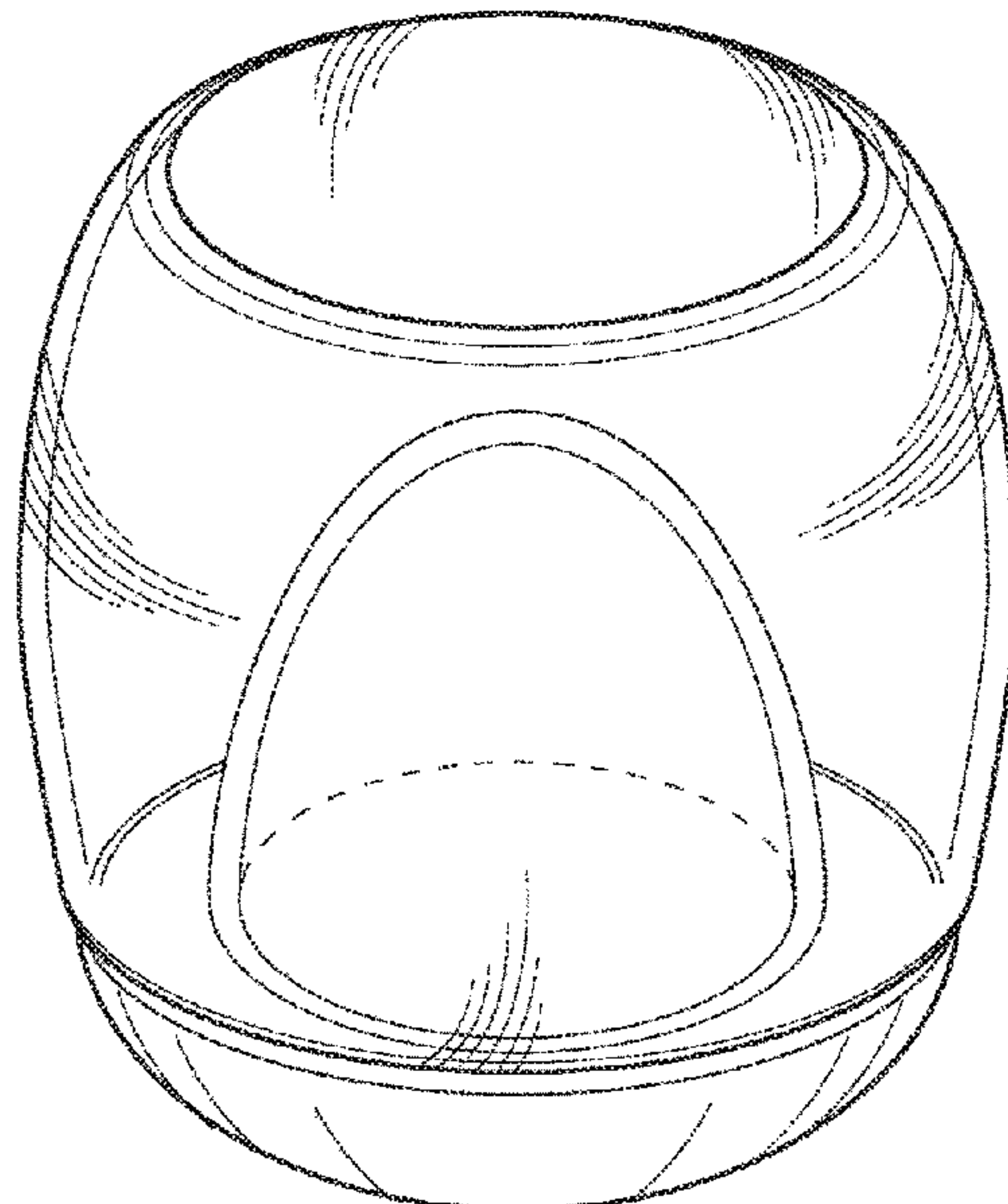
(57) **CLAIM**

The ornamental design for a double-walled drinking glass, as shown and described.

**DESCRIPTION**

FIG. 1 is a top perspective view of a double-walled drinking glass, showing my new design; FIG. 2 is a side view of the double-walled drinking glass; FIG. 3 is a top-down view of the double-walled drinking glass; and, FIG. 4 is a bottom view of the double-walled drinking glass. Any broken lines in the figures illustrate the portions of the invention that form no part of the claimed design.

**1 Claim, 2 Drawing Sheets**



(56)

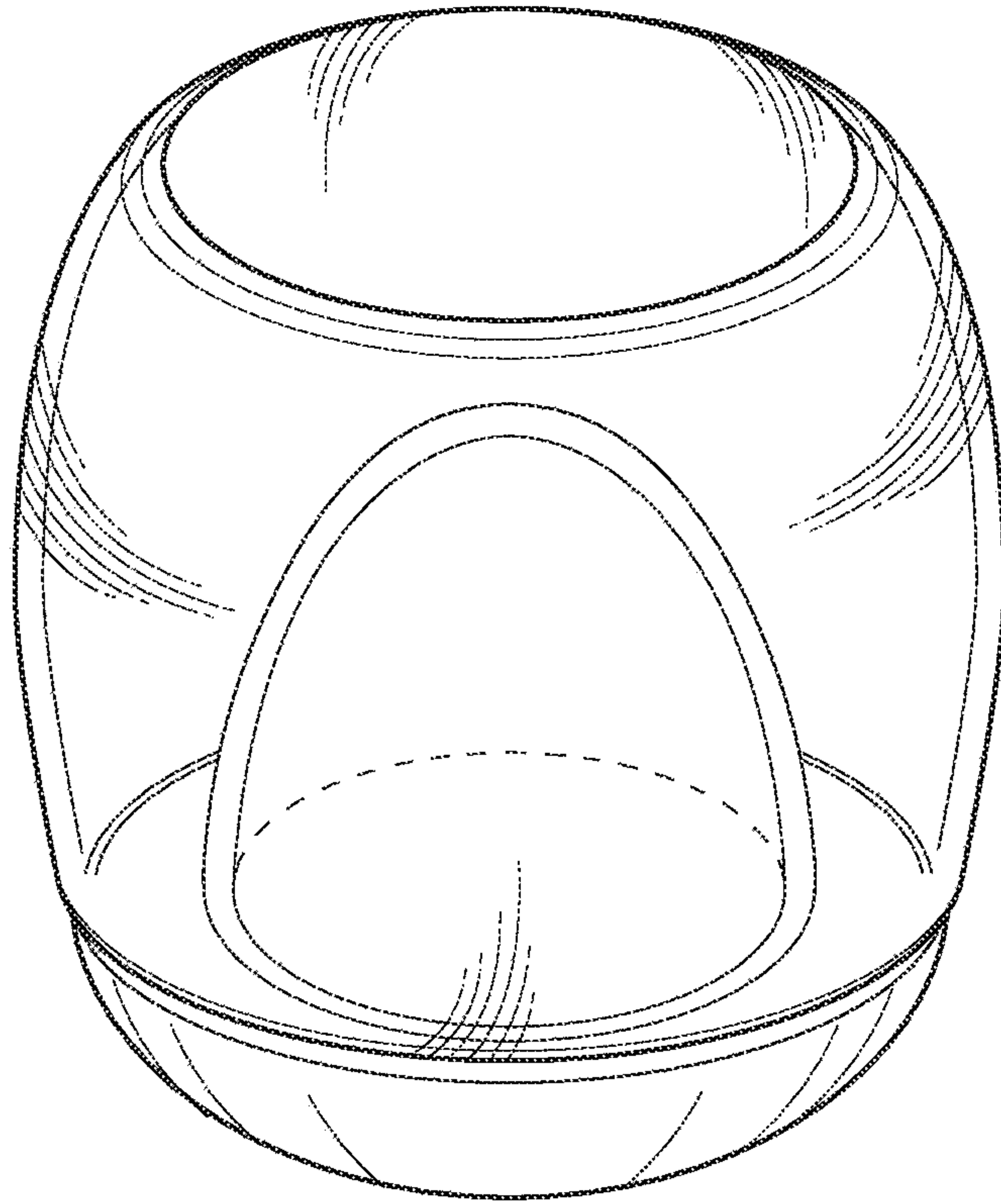
**References Cited**

U.S. PATENT DOCUMENTS

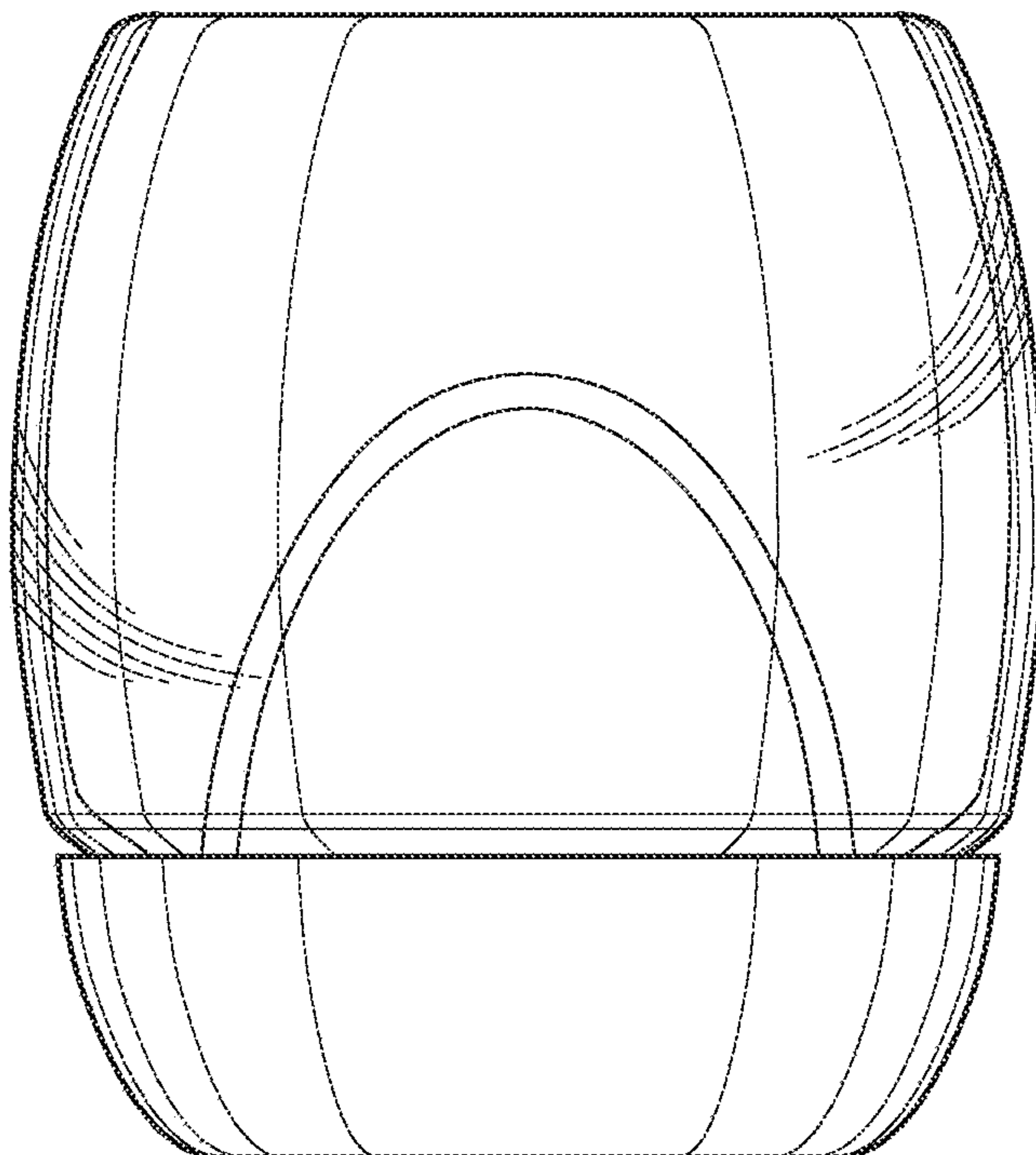
D840,755 S \* 2/2019 Kehoe ..... D7/523  
2016/0073811 A1\* 3/2016 Bell ..... A47G 19/2205  
206/459.5

\* cited by examiner

**FIG. 1**

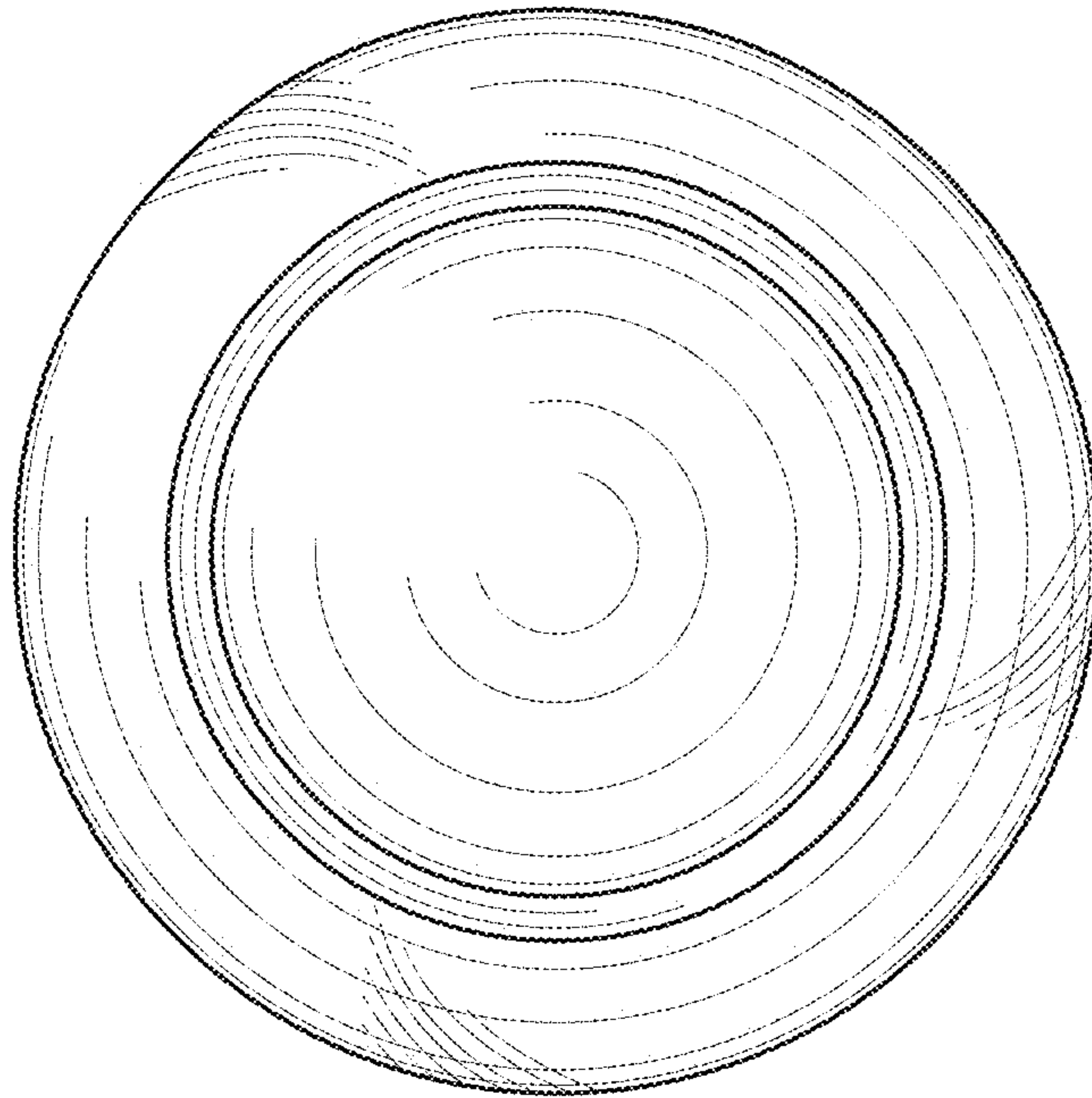


**FIG. 2**





**FIG. 3**



**FIG. 4**

