



US00D925283S

(12) **United States Design Patent**  
**Mock et al.**

(10) **Patent No.:** **US D925,283 S**  
(45) **Date of Patent:** **\*\* Jul. 20, 2021**

(54) **CITRUS REAMER ACCESSORY FOR A BLENDER**

(71) Applicant: **WHIRLPOOL CORPORATION**,  
Benton Harbor, MI (US)

(72) Inventors: **Brandon T. Mock**, St. Joseph, MI  
(US); **Aaron McNabb Evans**, St.  
Joseph, MI (US)

(73) Assignee: **Whirlpool Corporation**, Benton  
Harbor, MI (US)

(\*\*) Term: **15 Years**

(21) Appl. No.: **29/767,898**

(22) Filed: **Jan. 26, 2021**

**Related U.S. Application Data**

(63) Continuation of application No. 29/718,098, filed on  
Dec. 20, 2019, now Pat. No. Des. 909,133.

(51) **LOC (13) Cl.** ..... **31-00**

(52) **U.S. Cl.**  
USPC ..... **D7/412**; D7/376; D7/378; D7/413

(58) **Field of Classification Search**  
USPC ..... D7/361, 372, 376–386, 412–413, 602,  
D7/629, 665–666, 669, 679, 693–694  
CPC .... A21C 1/02; A21C 1/04; A23N 1/00; A23N  
1/02; A47J 19/023; A47J 43/04; A47J  
43/25; A47J 43/27; A47J 43/042; A47J  
43/044; A47J 43/046; A47J 43/075; A47J  
43/0722; A47J 43/0727; A47J 45/067;  
A47J 45/077; B01F 3/00; B01F 3/0807;  
B01F 3/0853; B01F 13/0059; B01F  
13/0064; B02C 1/08; B02C 2/04; B02C  
4/42; B02C 4/142; B02C 4/143; B02C  
4/423; B02C 13/1835; B28C 5/10; B28C  
5/12; B28C 5/14; B28C 5/16

See application file for complete search history.

(56) **References Cited**

U.S. PATENT DOCUMENTS

2,677,947 A \* 5/1954 Van Guilder ..... A47J 45/077  
220/710.5

D251,405 S 3/1979 Akeret

D283,193 S 4/1986 Daenen

D379,744 S 6/1997 Thackray

D383,646 S 9/1997 Jeppesen et al.

D387,610 S 12/1997 Hippen et al.

D407,954 S \* 4/1999 Lehn ..... D7/665

D465,386 S \* 11/2002 Wang ..... D7/665

(Continued)

*Primary Examiner* — Ricky Pham

(74) *Attorney, Agent, or Firm* — Price Heneveld LLP

(57) **CLAIM**

We claim the ornamental design for a citrus reamer acces-  
sory for a blender, as shown and described.

**DESCRIPTION**

FIG. 1 is a front perspective view of a citrus reamer  
accessory for a blender of the present disclosure;

FIG. 2 is a rear perspective view of the citrus reamer  
accessory of FIG. 1;

FIG. 3 is a front elevational view of the citrus reamer  
accessory of FIG. 1;

FIG. 4 is a rear elevational view of the citrus reamer  
accessory of FIG. 1;

FIG. 5 is a first side elevational view of the citrus reamer  
accessory of FIG. 1;

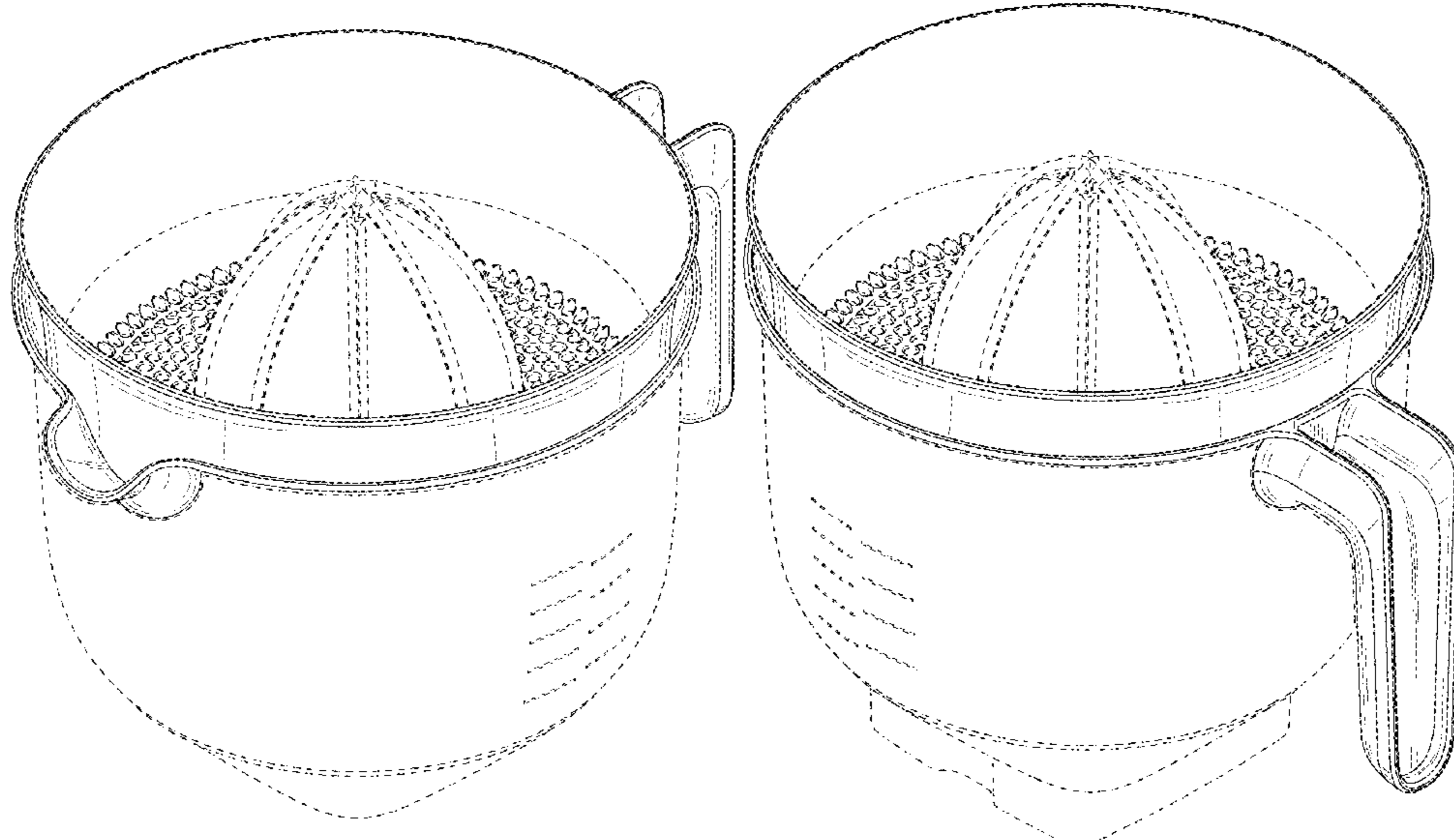
FIG. 6 is a second side elevational view of the citrus reamer  
accessory of FIG. 1;

FIG. 7 is a top plan view of the citrus reamer accessory of  
FIG. 1; and,

FIG. 8 is a bottom plan view of the citrus reamer accessory  
of FIG. 1.

The broken lines depict portions of the article that form no  
part of the claimed design.

**1 Claim, 8 Drawing Sheets**



(56)

**References Cited**

U.S. PATENT DOCUMENTS

D499,604	S	12/2004	Hooper et al.	
D598,713	S	8/2009	Luft	
D653,902	S *	2/2012	Chen .....	D7/361
D660,186	S	5/2012	Williams et al.	
D668,915	S	10/2012	Drees	
D673,426	S	1/2013	Heiberg et al.	
D702,487	S	4/2014	Gillette et al.	
D712,702	S	9/2014	Stamper et al.	
D737,619	S	9/2015	Cornu et al.	
9,220,372	B2 *	12/2015	Benoit .....	A47J 43/0727
D753,951	S	4/2016	Cornu et al.	
D824,213	S	7/2018	Abrell	
D865,437	S *	11/2019	Steiner .....	D7/379
D869,226	S	12/2019	Saubert et al.	
D878,167	S *	3/2020	XiangZe .....	D7/665
D903,434	S	12/2020	Chen	
D905,508	S *	12/2020	Krus .....	D7/665
D909,133	S *	2/2021	Mock .....	D7/412
2003/0005832	A1 *	1/2003	Wang .....	A47J 19/023 100/213
2007/0125244	A1	6/2007	Hensel	
2010/0084370	A1 *	4/2010	Ranzoni .....	A47J 45/067 215/398

\* cited by examiner

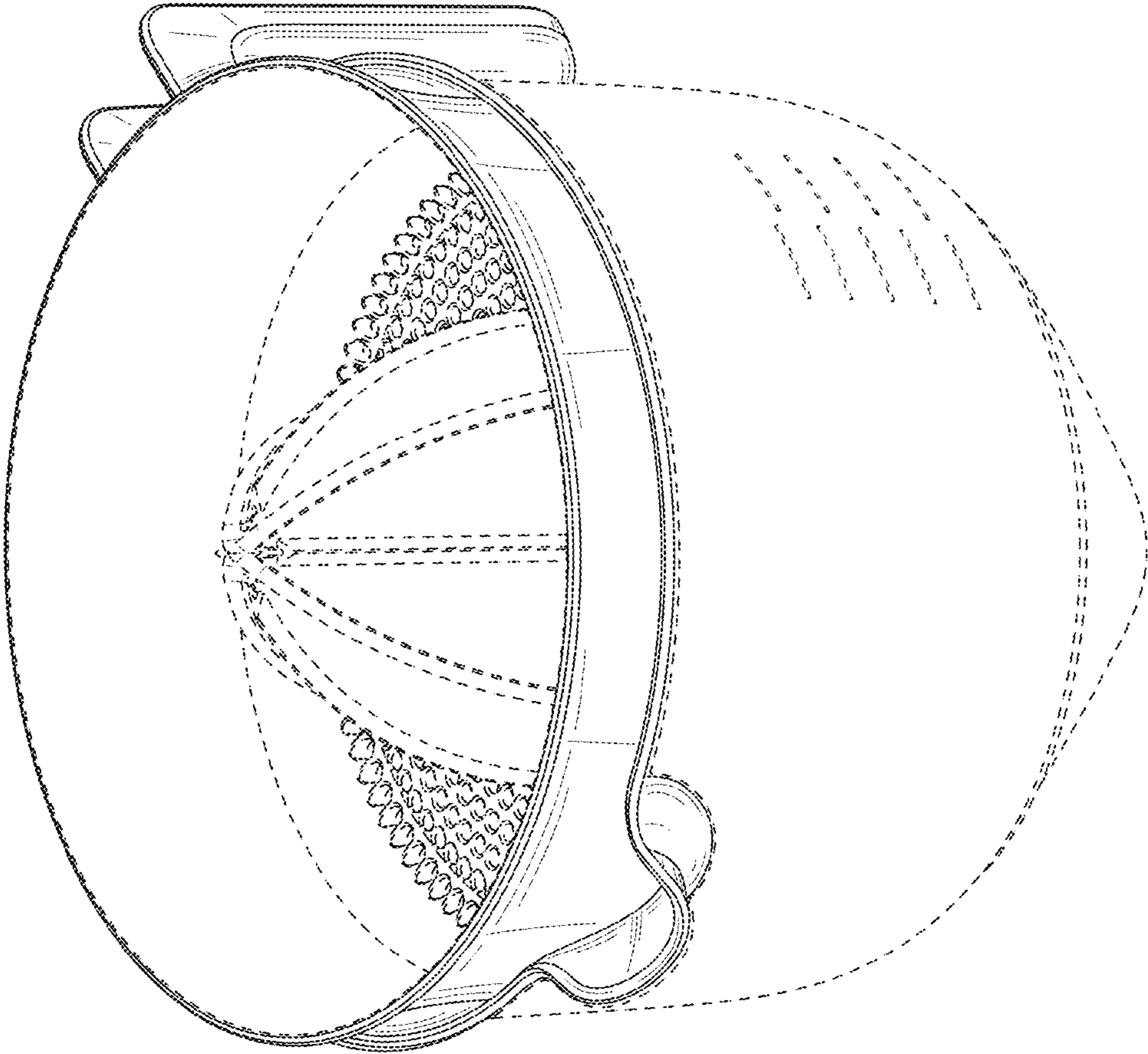


FIG. 1

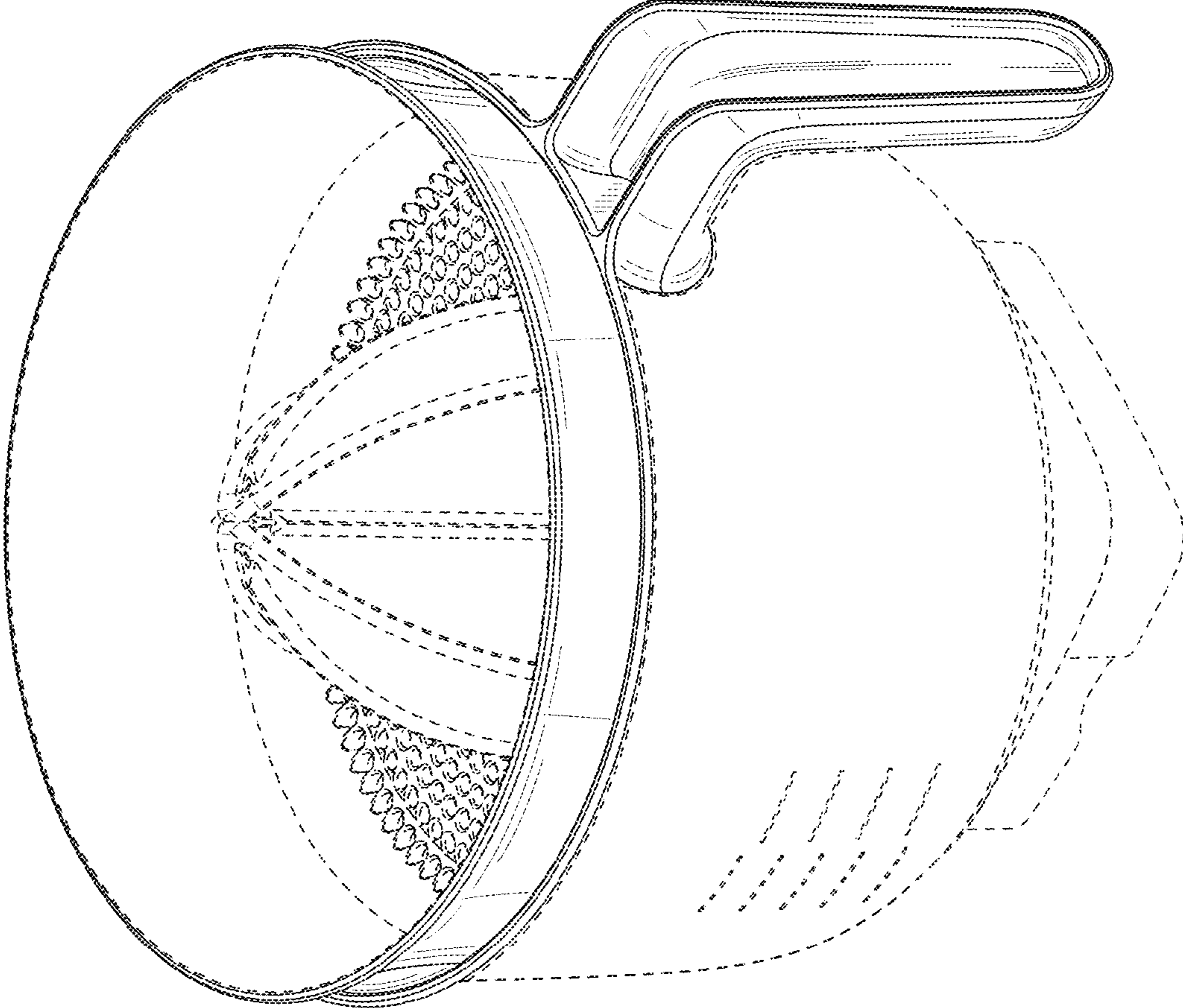


FIG. 2

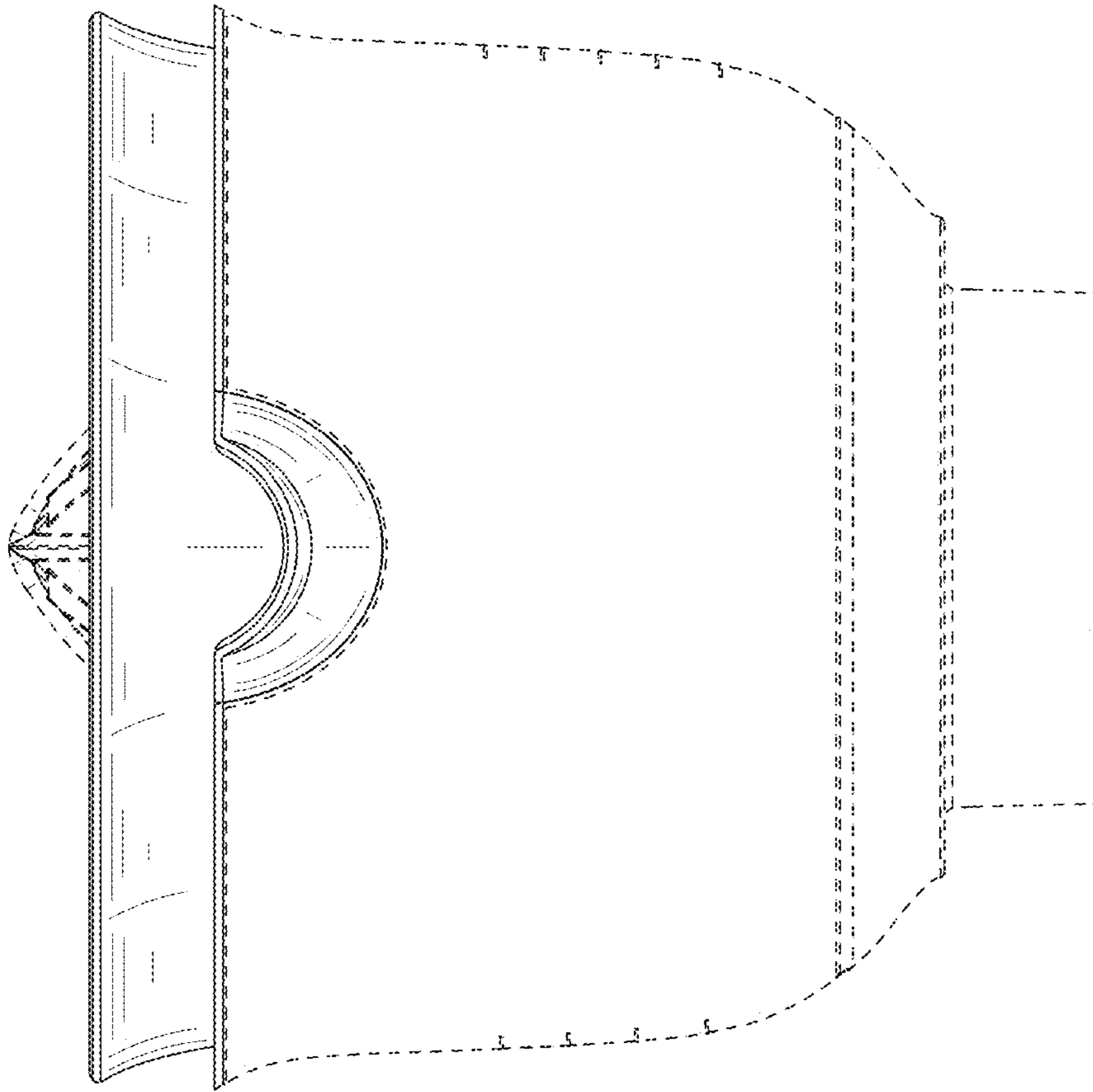


FIG. 3

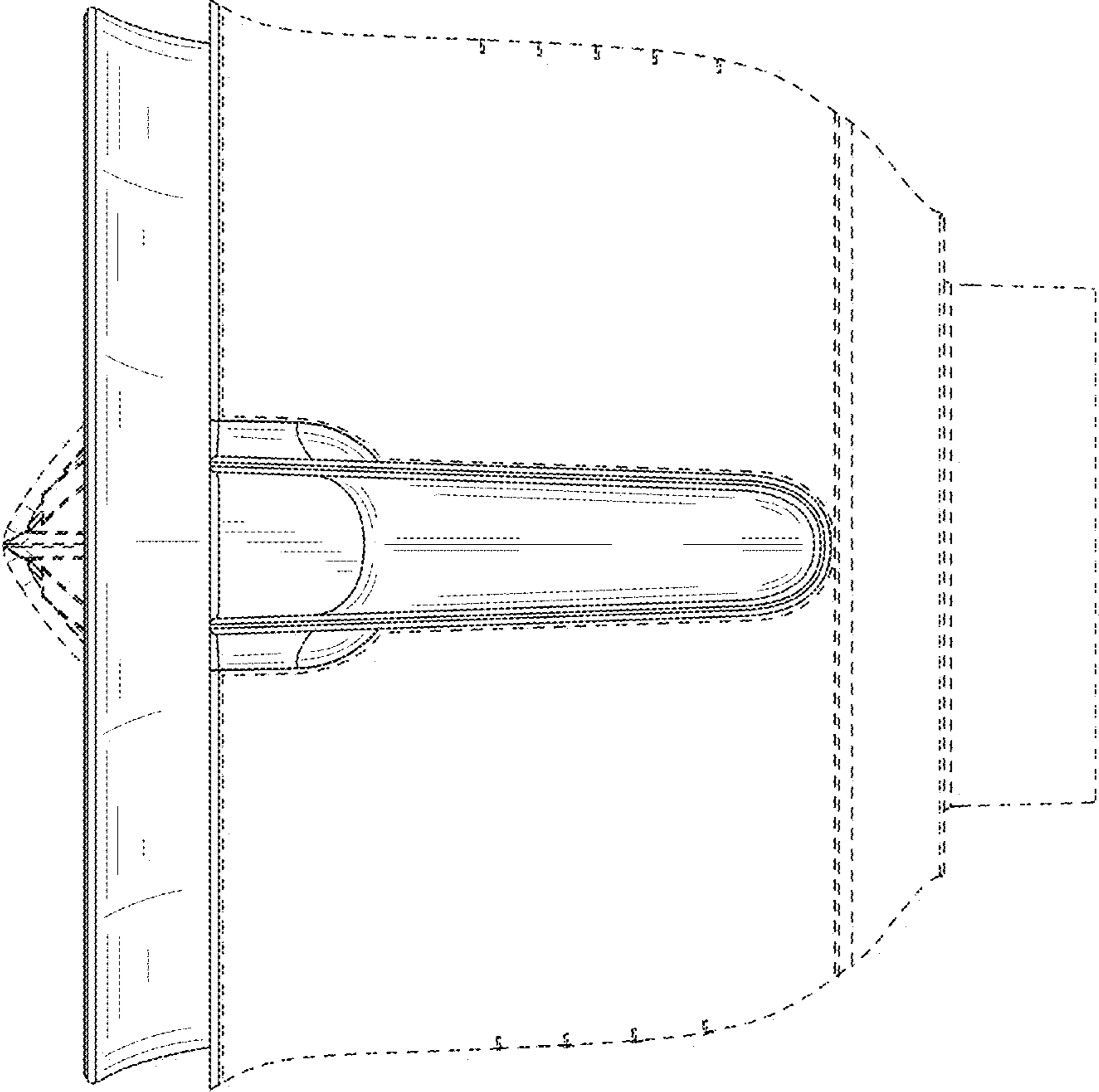


FIG. 4

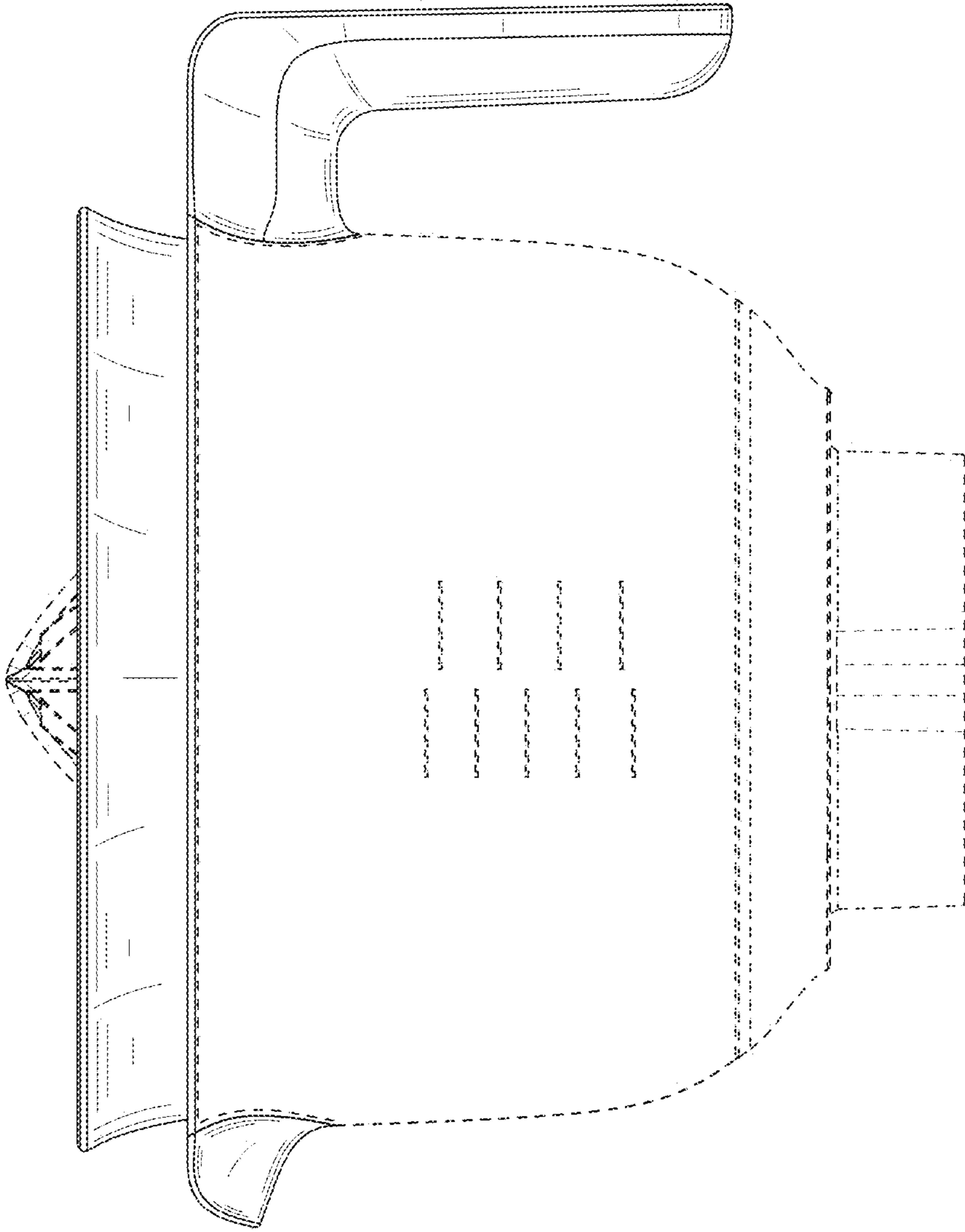


FIG. 5

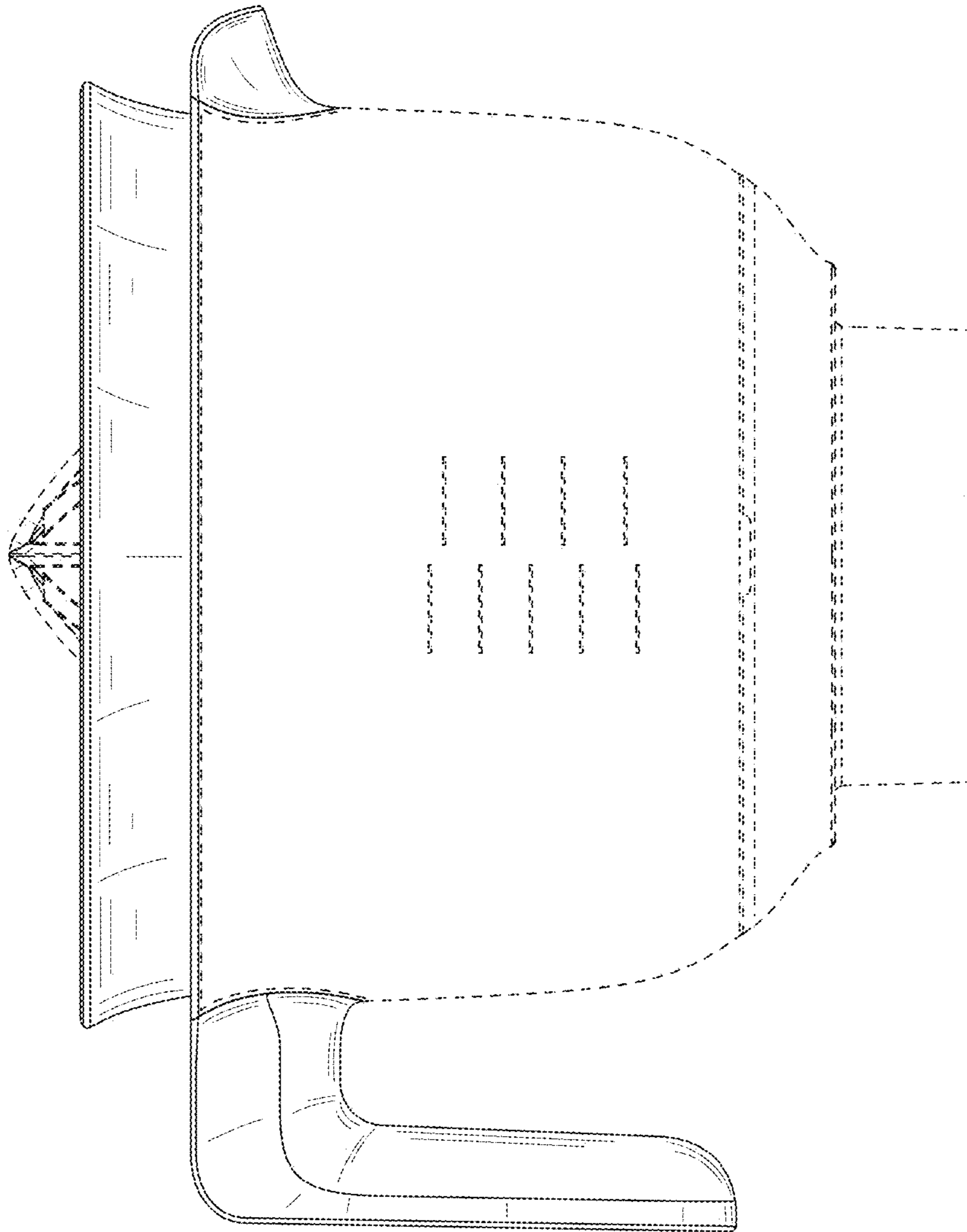


FIG. 6



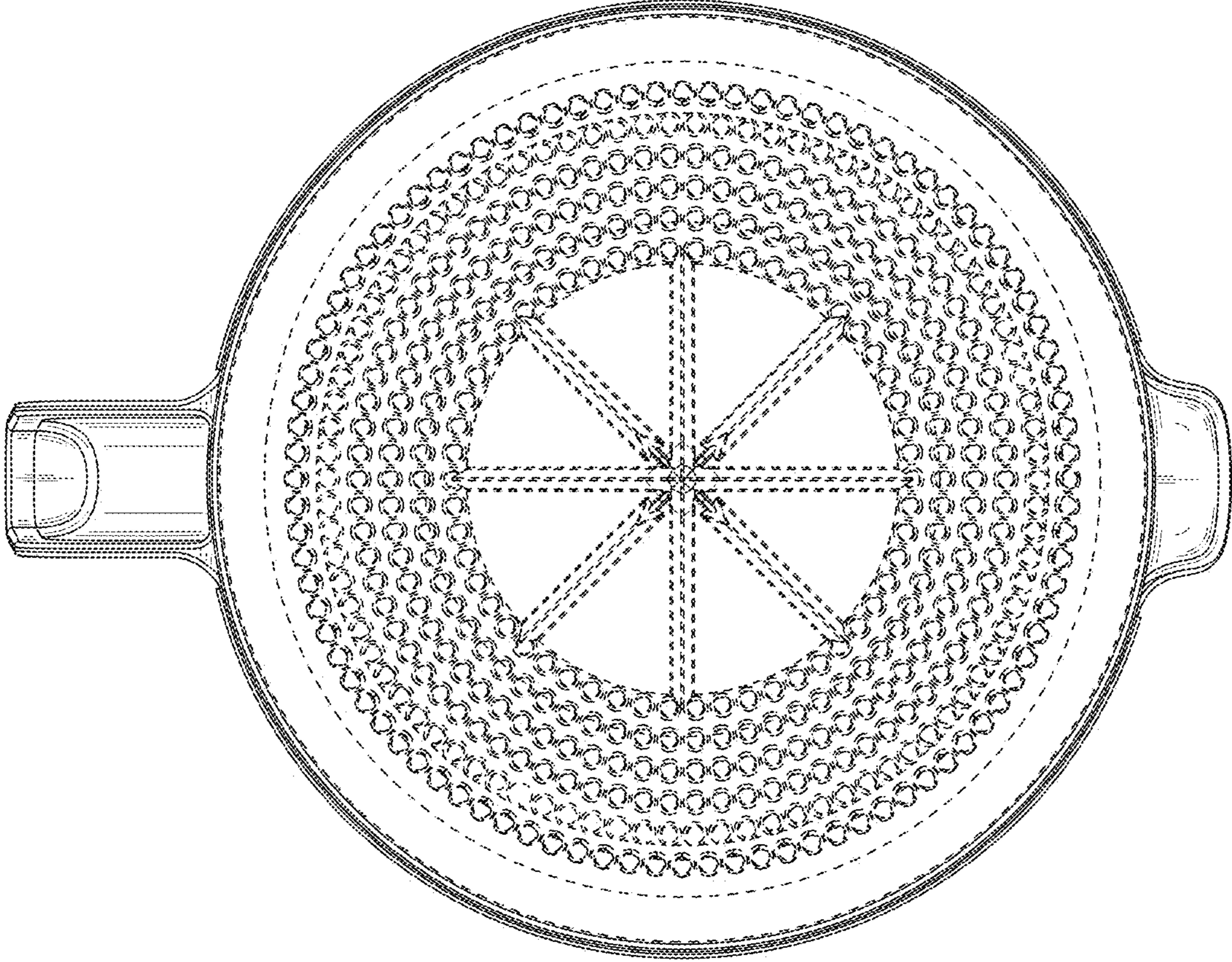


FIG. 7

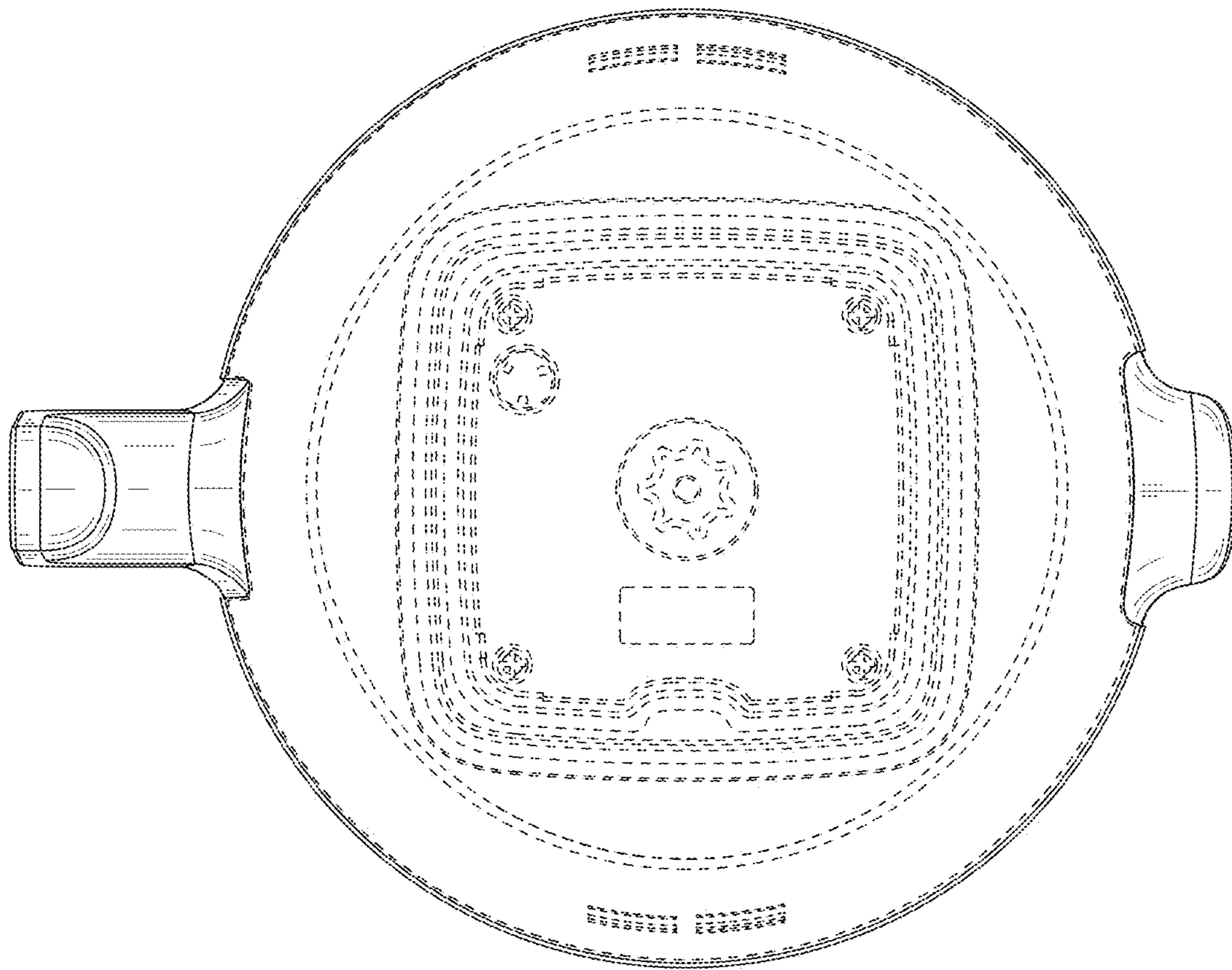


FIG. 8