



US00D925282S

(12) **United States Design Patent**
Bonner

(10) **Patent No.:** **US D925,282 S**

(45) **Date of Patent:** **** *Jul. 20, 2021**

(54) **UTENSIL**

B25G 3/00; B65D 75/56; B65D 75/563;
B65D 75/566; B67B 7/00; B67B 7/724;
B67B 7/73

(71) Applicant: **SERVE IT EASY INC.**, Moncton (CA)

See application file for complete search history.

(72) Inventor: **Mark Bonner**, Frenchtown, NJ (US)

(56) **References Cited**

(73) Assignee: **Serve It Easy Inc.**, Moncton (CA)

U.S. PATENT DOCUMENTS

(*) Notice: This patent is subject to a terminal disclaimer.

- 1,648,123 A * 11/1927 Hodgman A61J 7/0023
30/326
- 2,010,074 A * 8/1935 Fuerst A47G 21/10
30/150
- 2,682,705 A * 7/1954 Johnson A47G 21/04
30/324
- 2,725,631 A * 12/1955 Renke A47G 21/023
30/322
- D423,304 S * 4/2000 Kontou D7/683
- D427,847 S * 7/2000 Henry D7/401.2
- D507,203 S * 7/2005 Claude D11/99
- D590,214 S * 4/2009 Cox D7/643
- D754,492 S * 4/2016 Katopis A47G 21/10
D7/642

(**) Term: **15 Years**

(21) Appl. No.: **29/677,598**

(22) Filed: **Jan. 22, 2019**

Related U.S. Application Data

(62) Division of application No. 29/572,250, filed on Jul. 26, 2016, now Pat. No. Des. 843,169.

(Continued)

(30) **Foreign Application Priority Data**

Jan. 26, 2016 (CA) 166558

Primary Examiner — Ricky Pham

(51) **LOC (13) Cl.** **07-03**

(74) *Attorney, Agent, or Firm* — Blake, Cassels & Graydon LLP; Christopher N. Hunter; Laurie Wright

(52) **U.S. Cl.**
USPC **D7/401.2; D7/642; D7/653**

(57) **CLAIM**

The ornamental design for a utensil, as shown and described.

(58) **Field of Classification Search**

DESCRIPTION

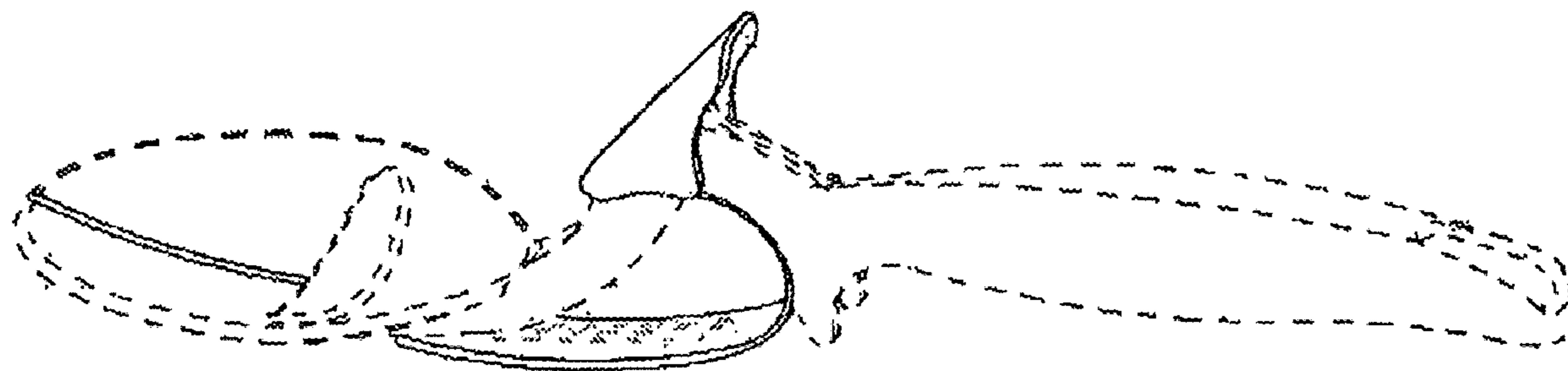
USPC D7/368, 401.2, 642–645, 653–664, 669, D7/675–677, 683, 688–689, 691; D8/107, 300–301; D11/99; D22/117–118; D28/36

CPC ... A01D 9/02; A01D 9/04; A01D 9/06; A47G 19/06; A47G 21/00; A47G 21/004; A47G 21/005; A47G 21/02; A47G 21/023; A47G 21/04; A47G 21/06; A47G 21/08; A47G 21/10; A47J 43/28; A47J 43/281; A47J 43/282; A61F 13/10; A61J 7/0023; B25G 1/00; B25G 1/01; B25G 1/02;

FIG. 1 is a perspective view of a utensil showing the design;
FIG. 2 is a top view thereof;
FIG. 3 is a bottom view thereof;
FIG. 4 is a front view thereof
FIG. 5 is a back view thereof;
FIG. 6 is a left view thereof; and,
FIG. 7 is a right view thereof.

The broken lines shown in the drawings are for illustrative purposes only and form no part of the claimed design.

1 Claim, 2 Drawing Sheets



(56)

References Cited

U.S. PATENT DOCUMENTS

9,351,595 B2 * 5/2016 Dietrich A47G 19/06
D764,705 S * 8/2016 Narvaez A47G 21/023
D28/36
D843,169 S * 3/2019 Bonner A47G 21/04
D7/401.2
2004/0200075 A1 * 10/2004 Wedderburn A47G 21/02
30/129

* cited by examiner

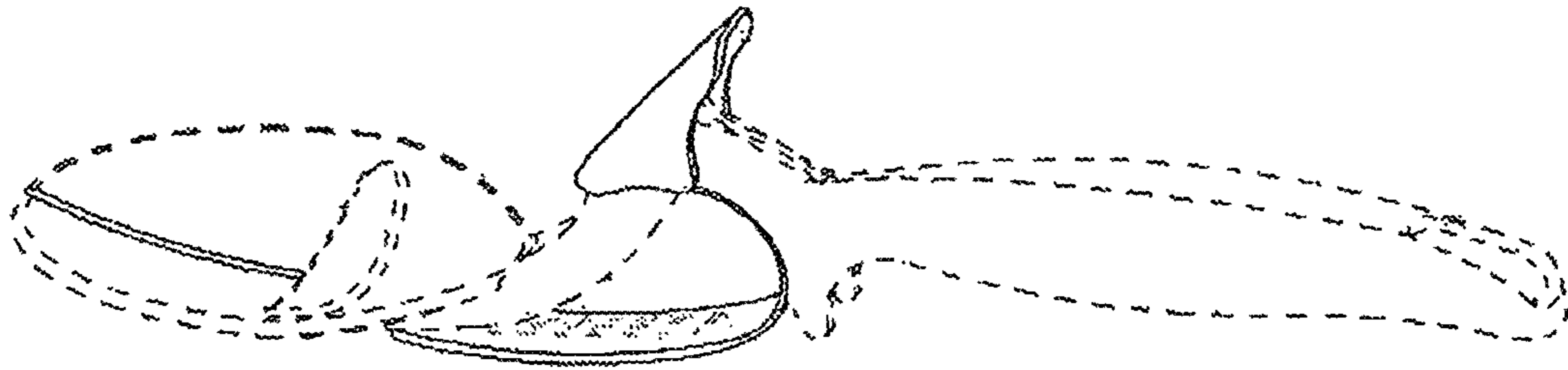


FIGURE 1

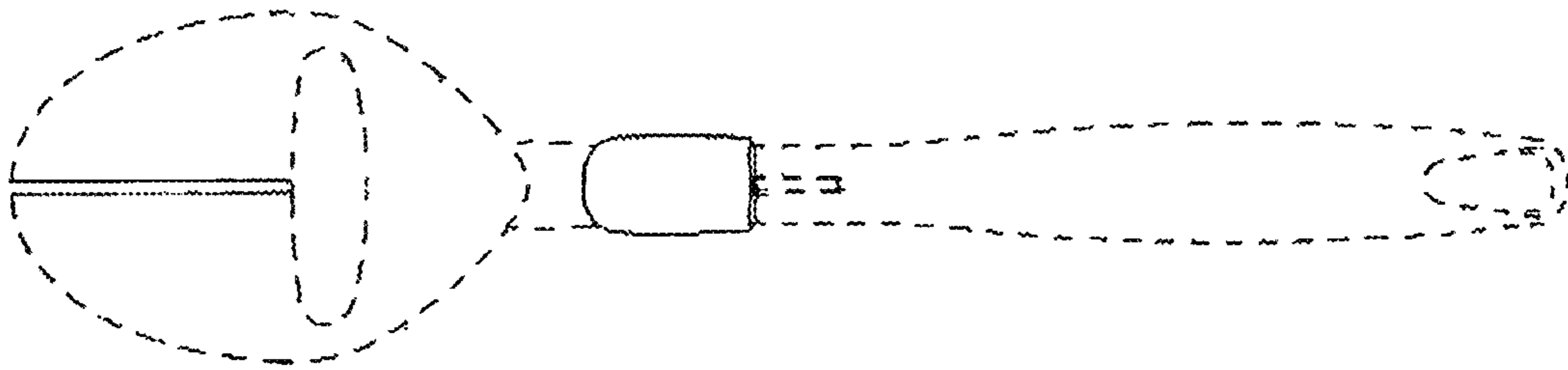


FIGURE 2

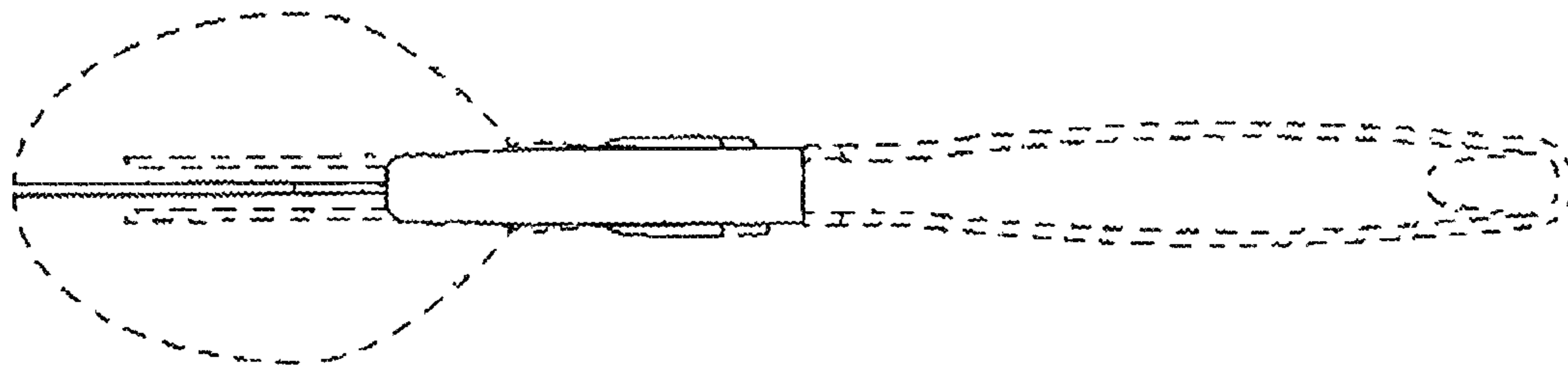


FIGURE 3

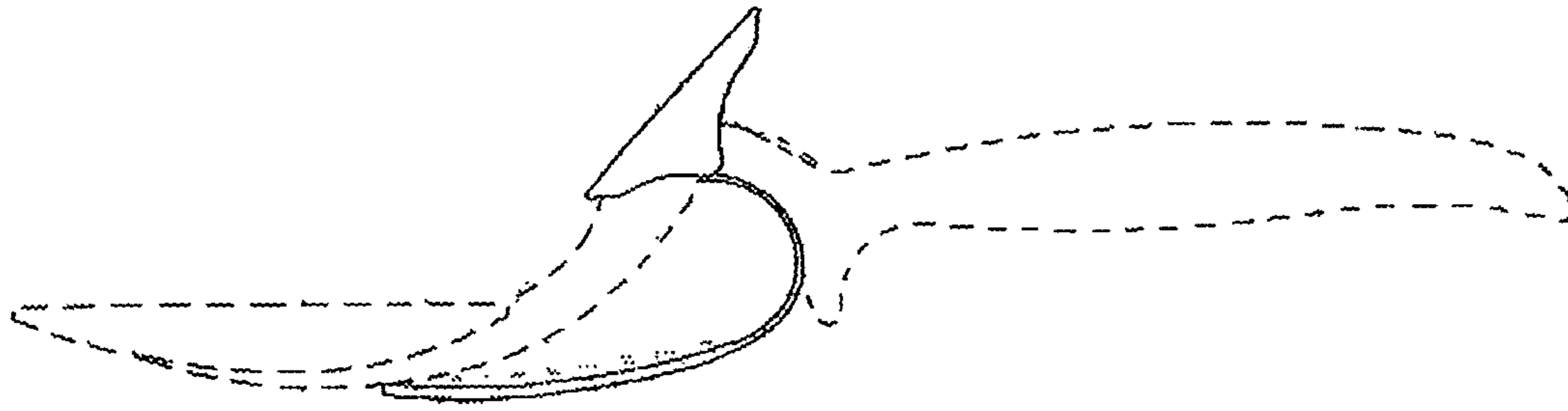


FIGURE 4

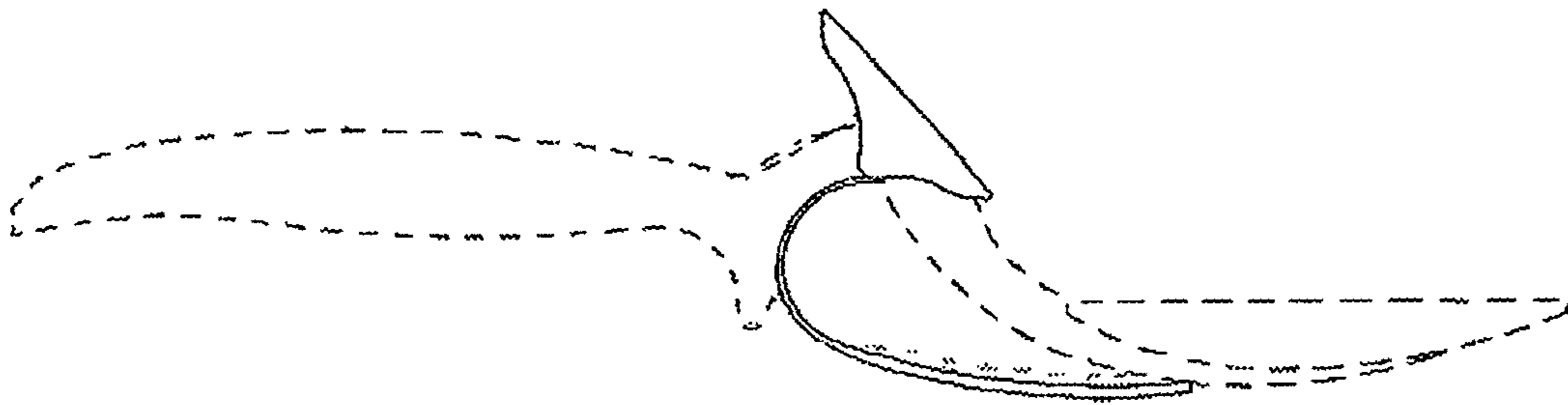


FIGURE 5

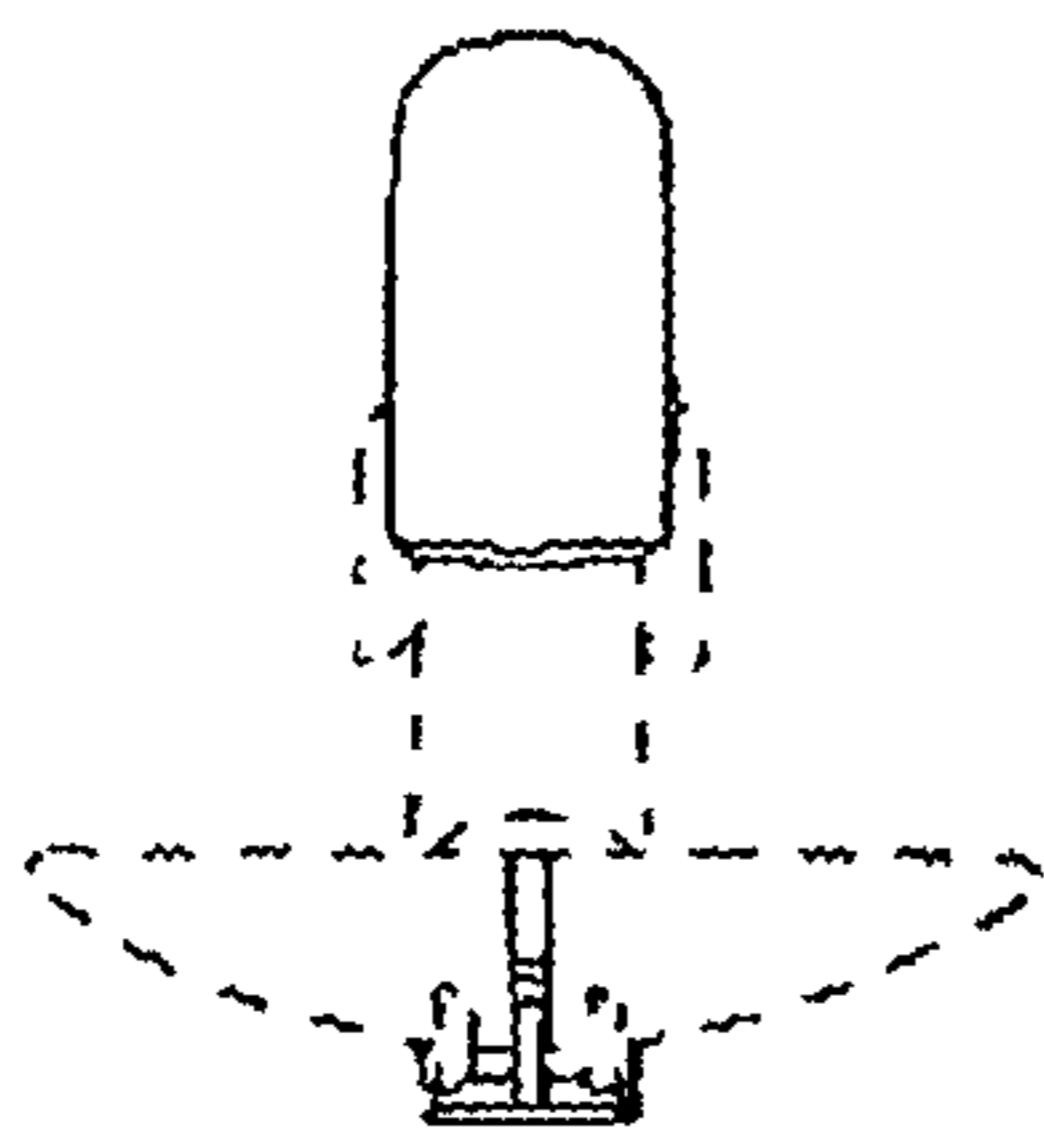


FIGURE 6

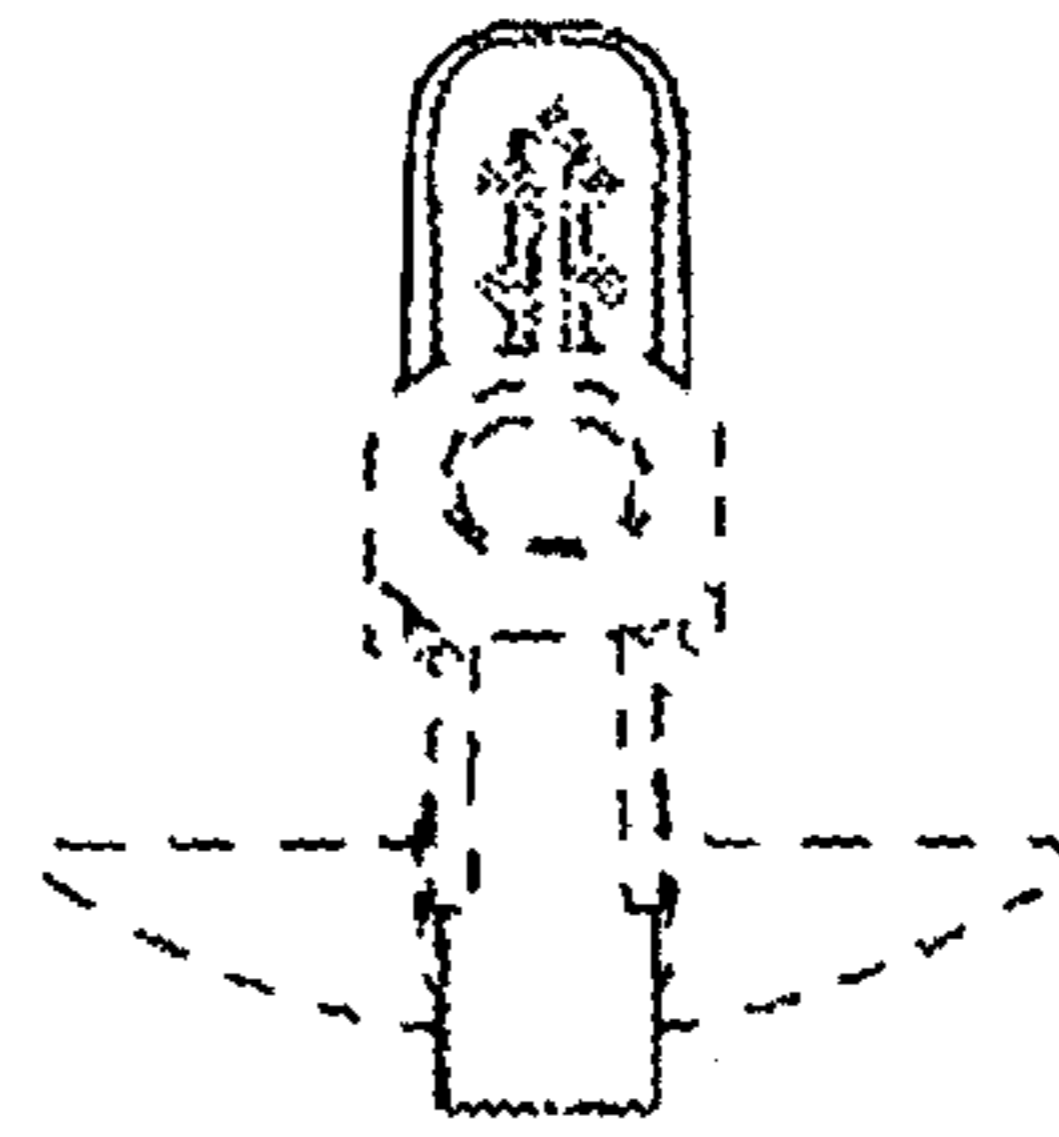


FIGURE 7