



US00D925279S

(12) **United States Design Patent** (10) **Patent No.:** **US D925,279 S**
Wang (45) **Date of Patent:** **** Jul. 20, 2021**

(54) **WATER BOTTLE CAP**

(71) Applicant: **Shen Zhen Xin Yue Tang Plastic & Hardware Co., Ltd**, Shenzhen (CN)
(72) Inventor: **Chunlei Wang**, Nanyang (CN)
(73) Assignee: **SHEN ZHEN XIN YUE TANG PLASTIC & HARDWARE CO., LTD**, Shenzhen (CN)

(**) Term: **15 Years**

(21) Appl. No.: **29/731,678**

(22) Filed: **Apr. 17, 2020**

(51) **LOC (13) Cl.** **07-99**

(52) **U.S. Cl.**
USPC **D7/396.2**

(58) **Field of Classification Search**
USPC D7/509, 510, 511, 624.1, 387, 391, 392, D7/392.1, 393, 396.1, 396.2, 400; D9/434, 435, 436, 439, 445, 446, 447, D9/448, 449, 451, 454, 686, 723, 724, D9/438, 440, 443, 452, 453; D24/127, D24/162; D23/259, 260, 261, 209, 210
CPC ... B65D 1/00; B65D 1/02; B65D 1/10; B65D 1/24; B65D 1/46; B65D 2585/56; B65D 2585/545; B65D 41/00; B65D 41/38; B65D 41/56; B65D 41/62; B65D 47/00; B65D 47/04; B65D 47/06; B65D 47/08; B65D 47/20; B65D 23/00; B65D 51/1694; B65D 43/09; B65D 43/16; B65D 43/0212; B65D 43/265; B65D 43/0208; B65D 43/22; B65D 43/00046; B65D 43/00092; B65D 43/00222; B65D 2543/00046; B65D 2543/00092; B65D 17/506; A61J 1/00; A61J 1/1412; A61J 1/02

See application file for complete search history.

(56) **References Cited**

U.S. PATENT DOCUMENTS

D547,607 S *	7/2007	Forsman	D7/396.2
D748,943 S *	2/2016	Miller	D7/392.1
D756,702 S *	5/2016	Joseph	D7/392.1
D792,216 S *	7/2017	Breit	D9/443
D804,903 S *	12/2017	Mason	D7/510
D811,162 S *	2/2018	Rane	D7/396.2
D812,966 S *	3/2018	Murosky	D7/392.1
D814,855 S *	4/2018	Hammer	D7/392.1
D818,317 S *	5/2018	Fu	D7/510

(Continued)

OTHER PUBLICATIONS

Bottle Joy Water Bottle: Announced May 28, 2020 [online]. Site visited [Feb. 3, 2021]. Available from Internet URL: <https://www.amazon.com/dp/B08D6737CK?th=1>.*

(Continued)

Primary Examiner — Catherine S Posthauer
(74) *Attorney, Agent, or Firm* — Bayramoglu Law Offices LLC

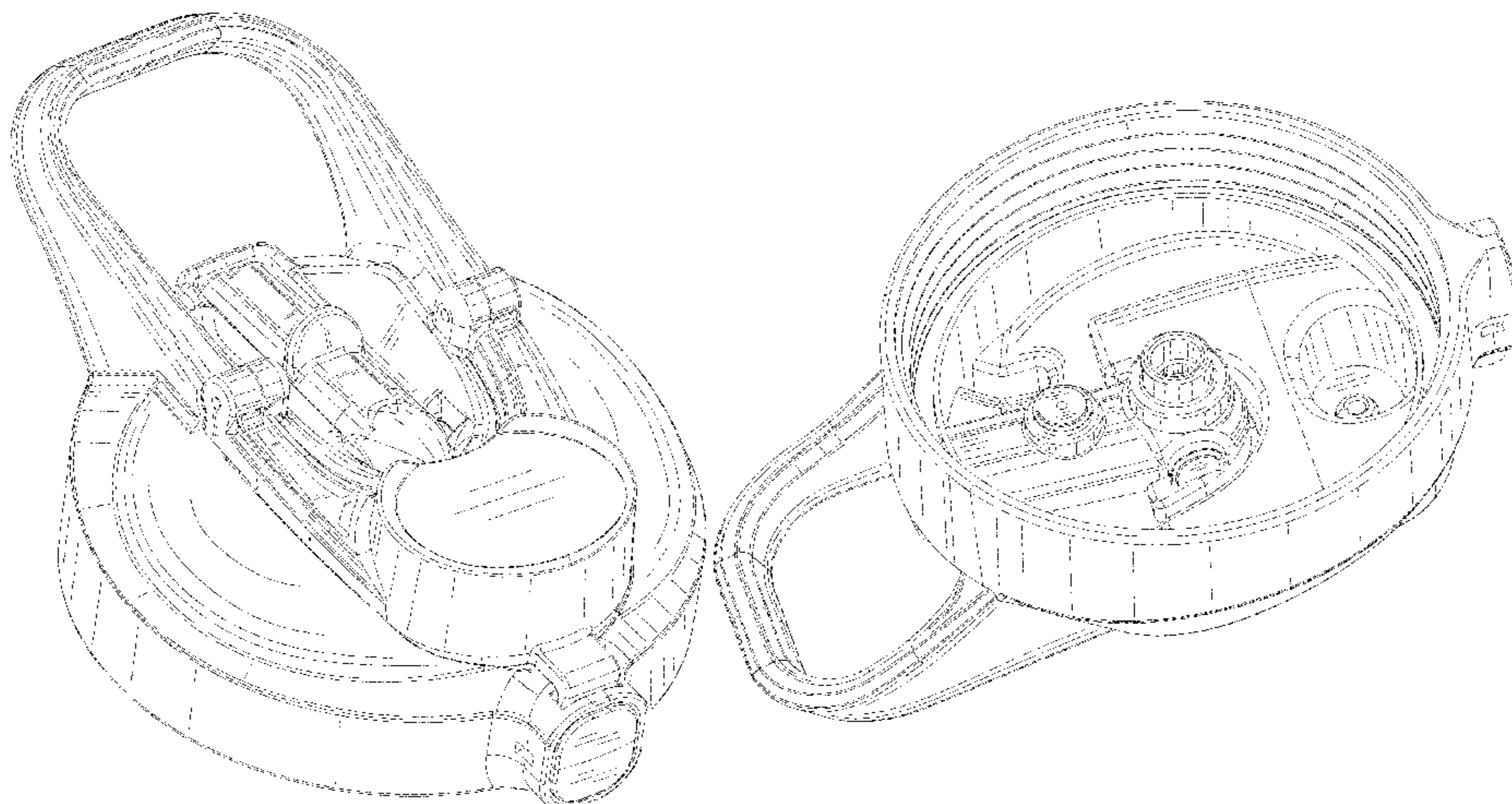
(57) **CLAIM**

The ornamental design for a water bottle cap, as shown and described.

DESCRIPTION

FIG. 1 is a perspective view of a water bottle cap showing my new design;
FIG. 2 is a rear elevation view thereof;
FIG. 3 is a bottom perspective view thereof;
FIG. 4 is a left side elevation view thereof;
FIG. 5 is a top plan view thereof;
FIG. 6 is a right side elevation view thereof;
FIG. 7 is a bottom plan view thereof; and,
FIG. 8 is a front elevation view thereof.
The evenly broken lines are shown for the purpose of illustrating parts of the water bottle cap that form no part of the claim. The dot-dash broken lines represent the boundaries of the claim and form no part thereof.

1 Claim, 8 Drawing Sheets



(56)

References Cited

U.S. PATENT DOCUMENTS

D820,637 S * 6/2018 Davis D7/392.1
 D847,563 S * 5/2019 Jacobsen D7/396.2
 D868,534 S * 12/2019 Lin D7/392.1
 D870,508 S * 12/2019 Palkon D7/392.1
 D870,509 S * 12/2019 Bo D7/392.1
 10,512,347 B1 * 12/2019 Shepard B65D 47/148
 D878,866 S * 3/2020 Cheng D7/510
 D884,419 S * 5/2020 Backs D7/396.2
 D886,517 S * 6/2020 Bo D7/392.1
 D887,776 S * 6/2020 Bo D7/392.1
 D889,199 S * 7/2020 Shepard D7/396.2
 D894,672 S * 9/2020 Huang D7/392.1
 D895,352 S * 9/2020 Yao D7/392.1
 D896,024 S * 9/2020 Wang D7/392.1
 D896,574 S * 9/2020 Wang D7/392.1
 D897,146 S * 9/2020 Lane D7/392

D897,760 S * 10/2020 Feng D7/392.1
 D900,537 S * 11/2020 Yao D7/392.1
 D900,538 S * 11/2020 Yao D7/392.1
 D903,403 S * 12/2020 Ames D7/392
 2015/0173539 A1 * 6/2015 Mason B65D 47/063
 2017/0144809 A1 * 5/2017 Sorensen B65D 43/02
 2017/0313478 A1 * 11/2017 El-Saden A45F 3/16

OTHER PUBLICATIONS

Bottle Joy Water Bottle: Site Visited Feb. 3, 2021 [online]. Available from Internet URL: <https://www.ebay.com/c/28024390545>.
 Water Bottle: Site Visited Feb. 3, 2021 [online]. Available from Internet URL: https://www.alibaba.com/product-detail/3-78L-motivational-water-bottle-plastic_1600133470687.html?spm=a2700.pc_countrysearch.main07.99.627b4...1/8.

* cited by examiner

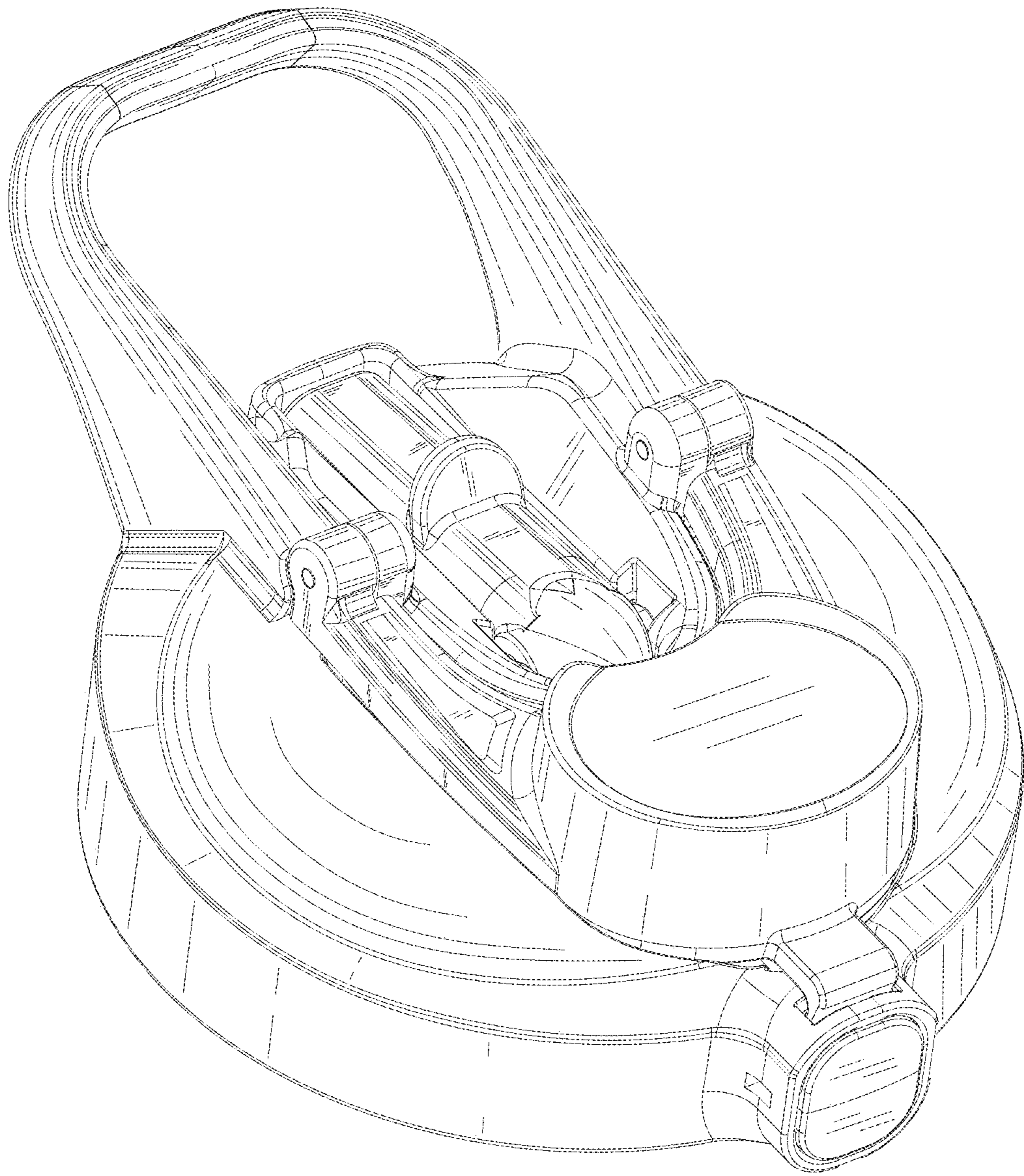


FIG. 1

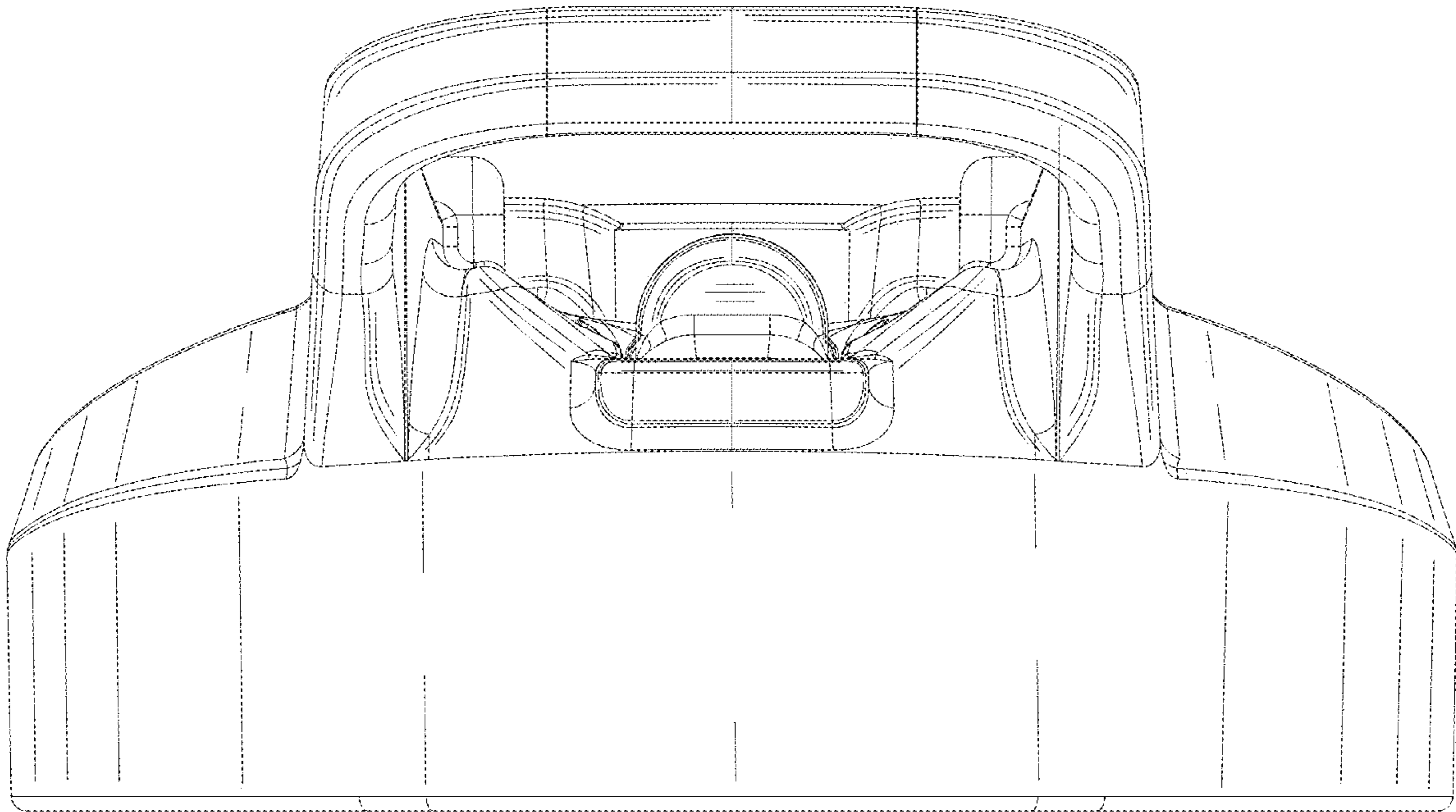


FIG. 2

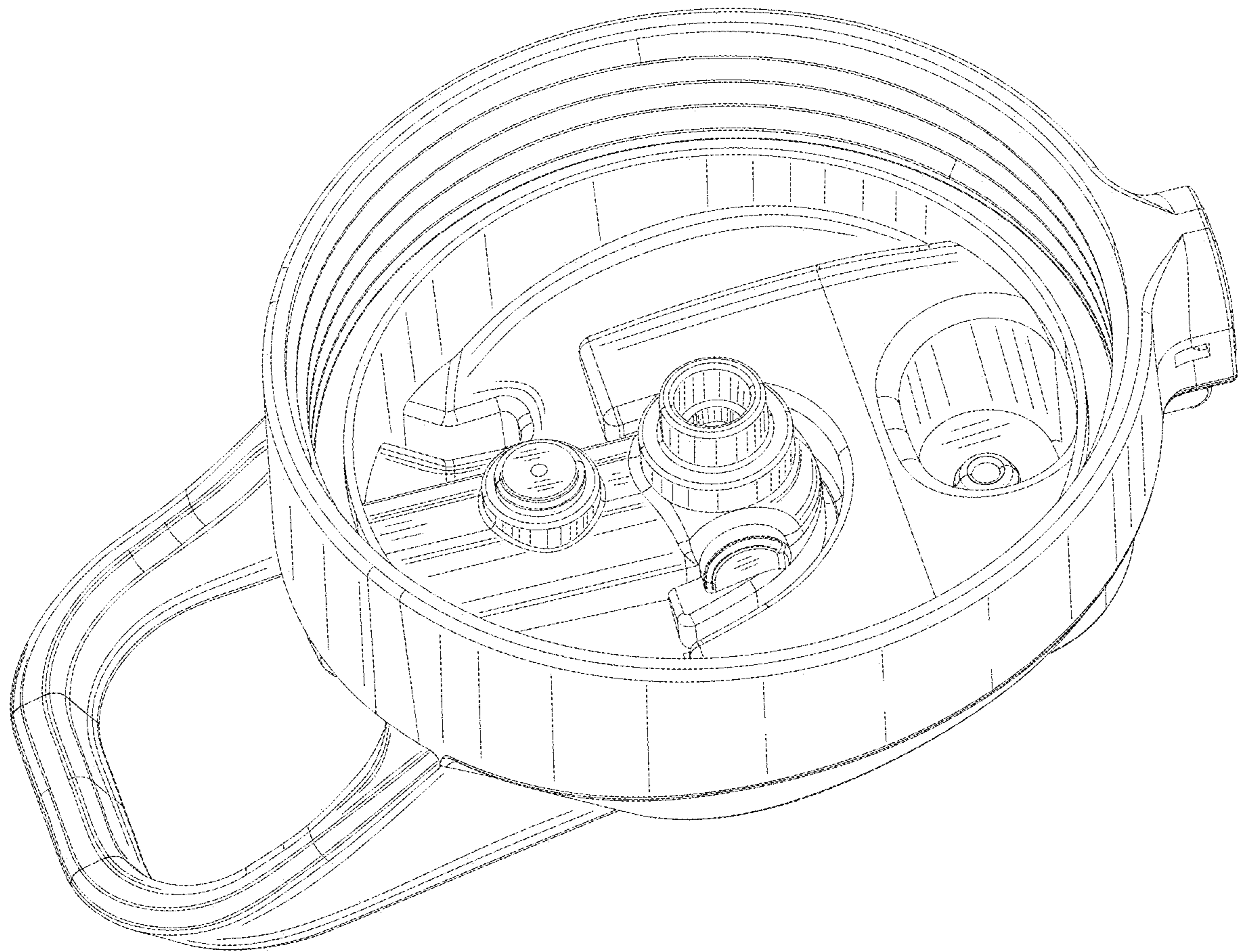


FIG. 3

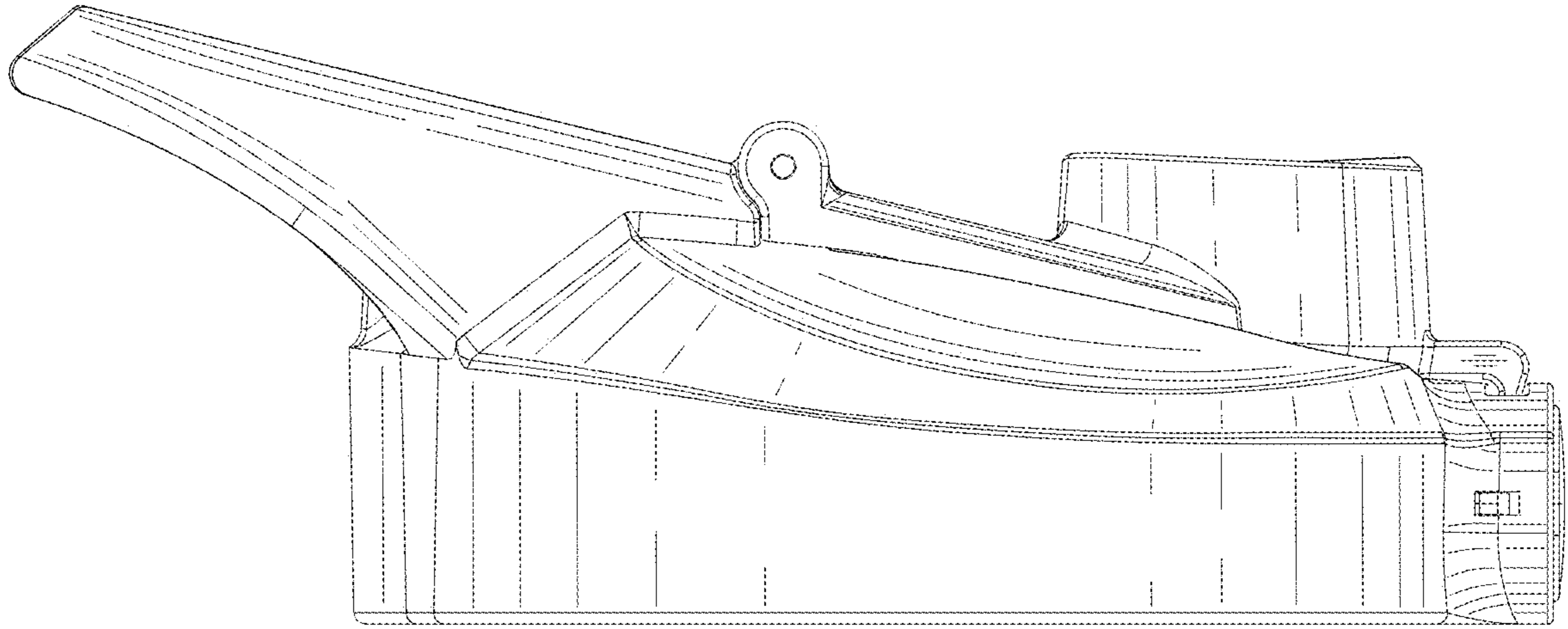


FIG. 4

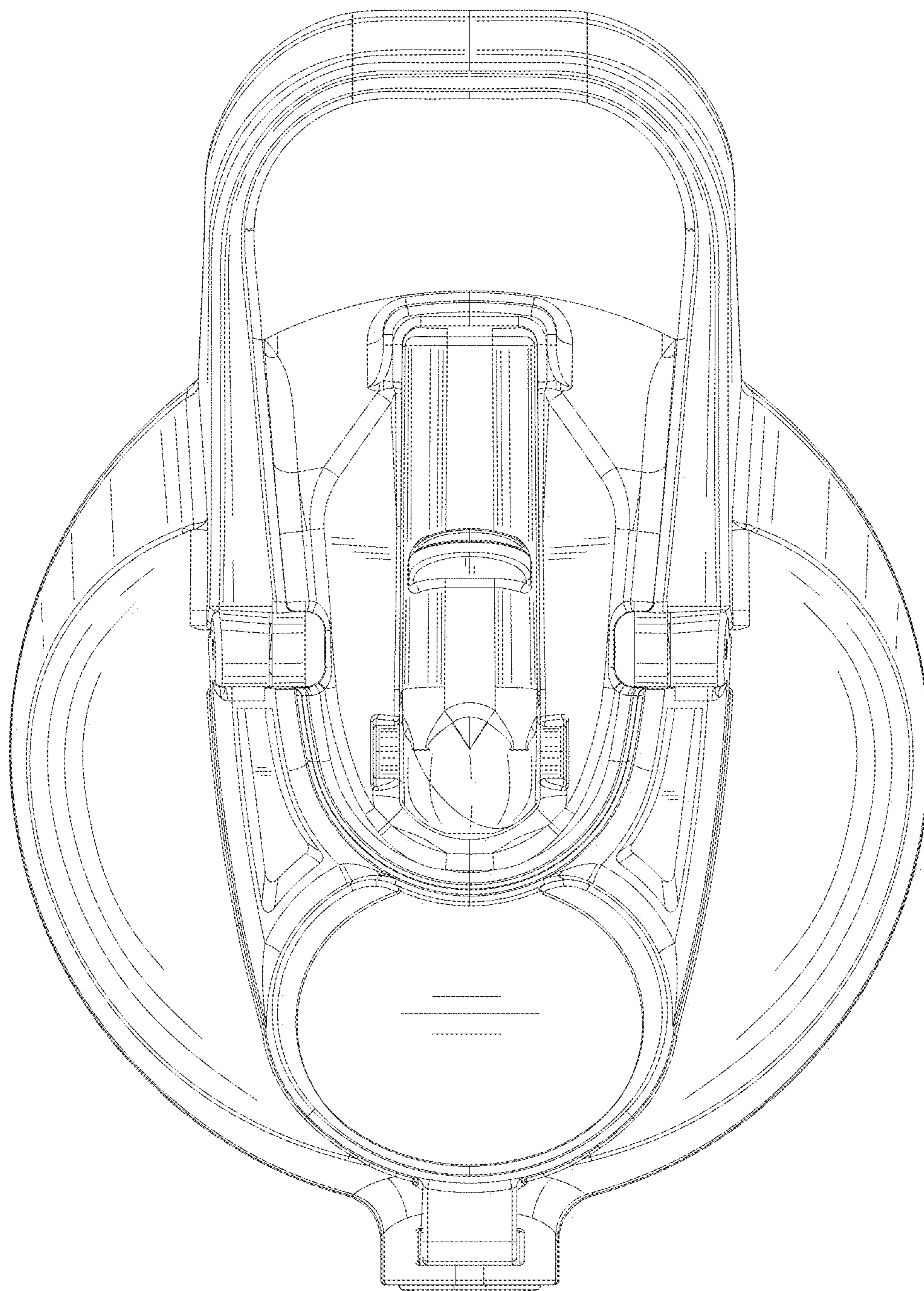


FIG. 5

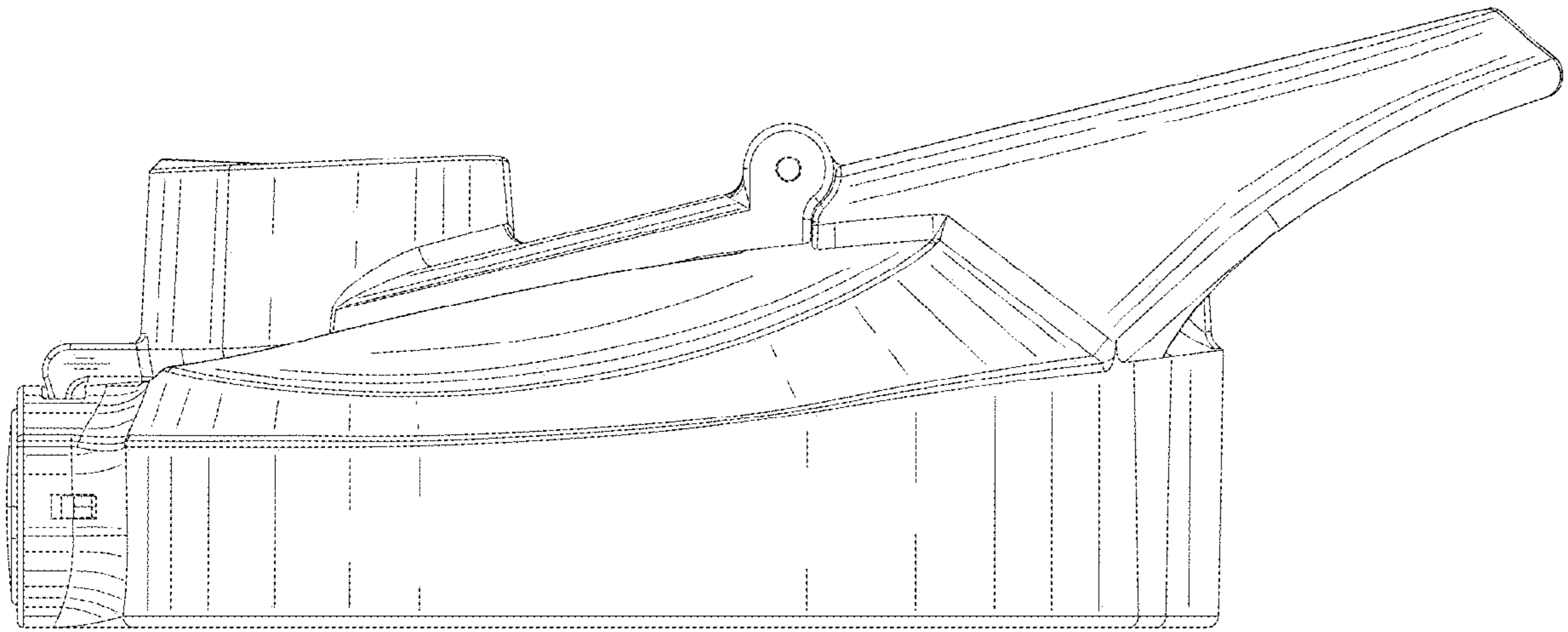


FIG. 6

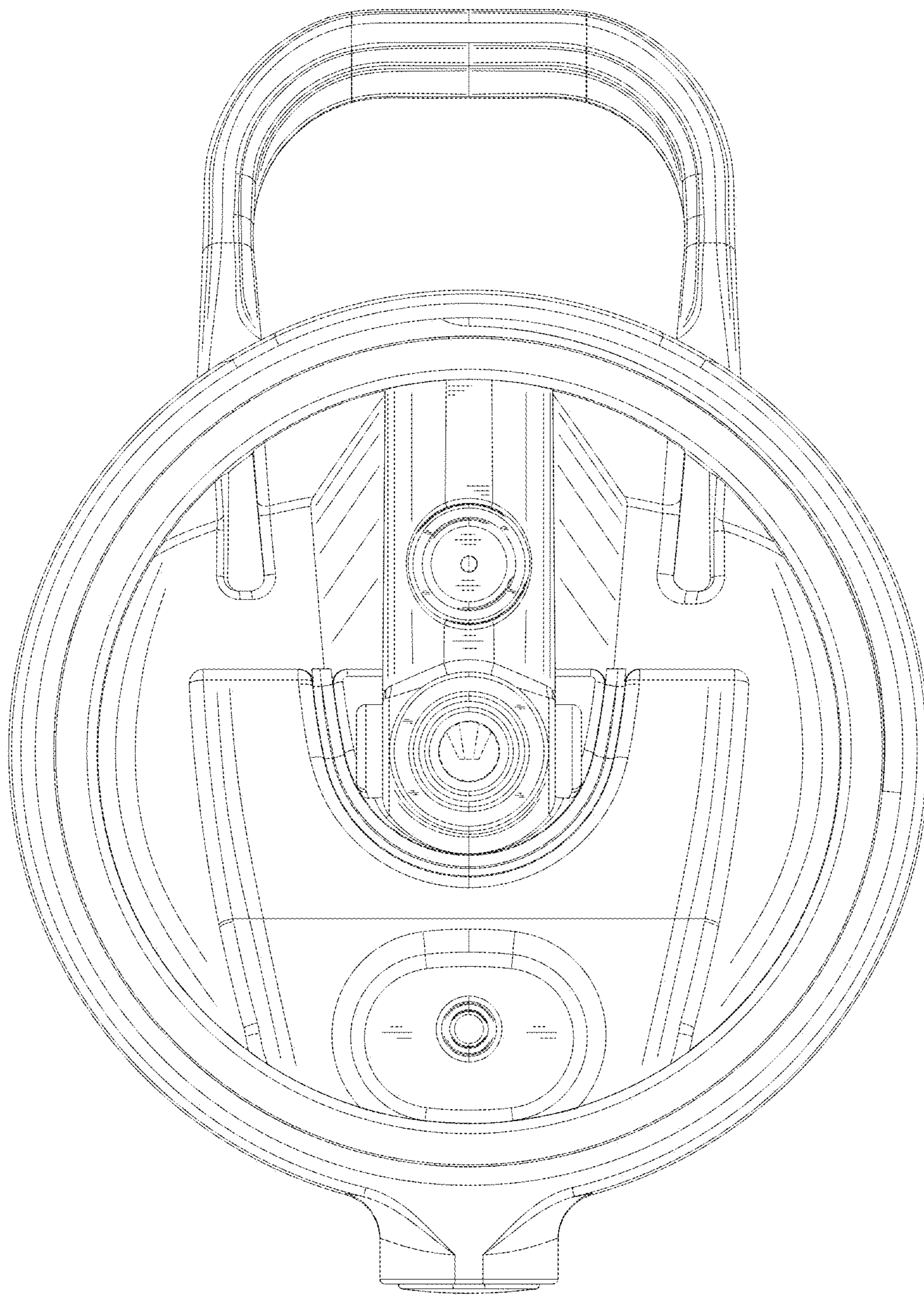


FIG. 7

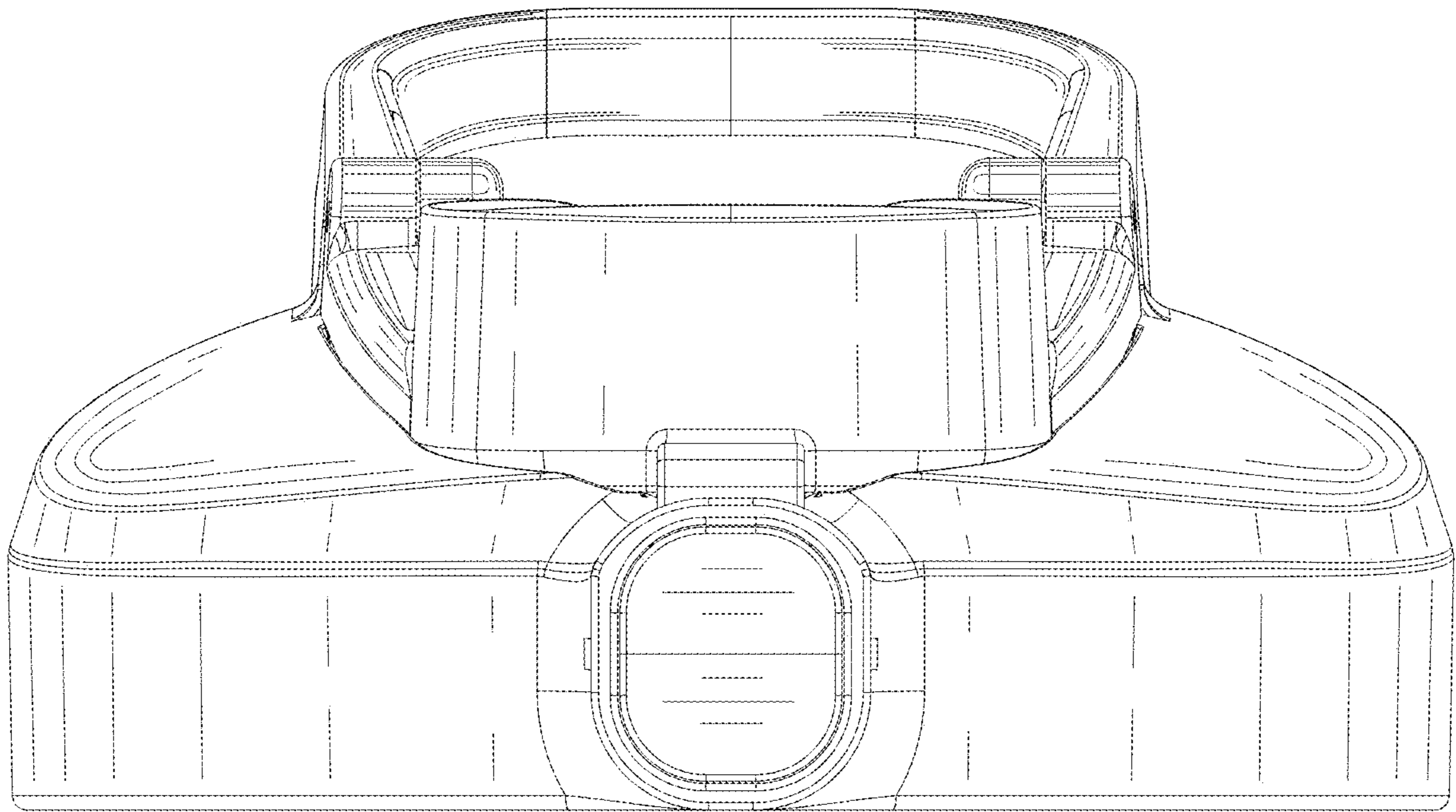


FIG. 8