



US00D925276S

(12) **United States Design Patent**
Hinds

(10) **Patent No.:** **US D925,276 S**

(45) **Date of Patent:** **** Jul. 20, 2021**

- (54) **HANDLE FOR COOKWARE**
- (71) Applicant: **CONAIR CORPORATION**, Stamford, CT (US)
- (72) Inventor: **Kristen Lee Hinds**, Stamford, CT (US)
- (73) Assignee: **Conair LLC**, Stamford, CT (US)

- D577,953 S 10/2008 Plichon
- D638,257 S 5/2011 Bergne
- D642,017 S 7/2011 Mc Eldowney
- D642,430 S 8/2011 Verbrugge
- D677,518 S 3/2013 Dichraff et al.
- D680,806 S 4/2013 Munari
- D776,479 S 1/2017 Munari
- D809,859 S 2/2018 Munari
- D814,859 S 4/2018 Kastner et al.

(**) Term: **15 Years**

(21) Appl. No.: **29/698,178**

(22) Filed: **Jul. 15, 2019**

(51) **LOC (13) Cl.** **07-02**

(52) **U.S. Cl.**
USPC **D7/393**

(58) **Field of Classification Search**
USPC D7/354–361, 393–395, 401.2, 664;
D8/107, 300, 303, 307, 313, 321
CPC A47J 45/06; A47J 45/061; A47J 45/62;
A47J 45/071; A47J 45/072; A47J 45/08;
A47J 45/085
See application file for complete search history.

(56) **References Cited**

U.S. PATENT DOCUMENTS

- D174,223 S * 3/1955 Howie D7/393
- 3,065,018 A 11/1962 Serio
- 3,107,389 A * 10/1963 Engelbrecht A47B 47/04
16/416
- 3,798,706 A 3/1974 Wolfson et al.
- D344,431 S 2/1994 Welch
- 5,520,096 A 5/1996 Dornbush et al.
- D429,110 S 8/2000 Cheng
- D436,001 S 1/2001 Rae
- D457,800 S * 5/2002 Petri D8/313
- D461,092 S * 8/2002 Coudurier D7/393
- D516,377 S 3/2006 Plichon
- D555,423 S * 11/2007 Hoff D7/393
- D573,439 S * 7/2008 Sheppard D8/313
- D575,134 S * 8/2008 Sheppard D6/300

(Continued)

Primary Examiner — Cynthia M. Chin

(74) *Attorney, Agent, or Firm* — Ohlandt, Greeley, Ruggiero & Perle, L.L.P.

(57) **CLAIM**

The ornamental design for a handle for cookware, as shown and described.

DESCRIPTION

FIG. 1 is a right, side perspective view of an ornamental design for a handle for cookware according to the present invention;

FIG. 2 is a right side elevational view of the handle for cookware of FIG. 1;

FIG. 3 is a left side elevational view of the handle for cookware of FIG. 1;

FIG. 4 is a top plan view of the handle for cookware of FIG. 1;

FIG. 5 is a bottom plan view of the handle for cookware of FIG. 1;

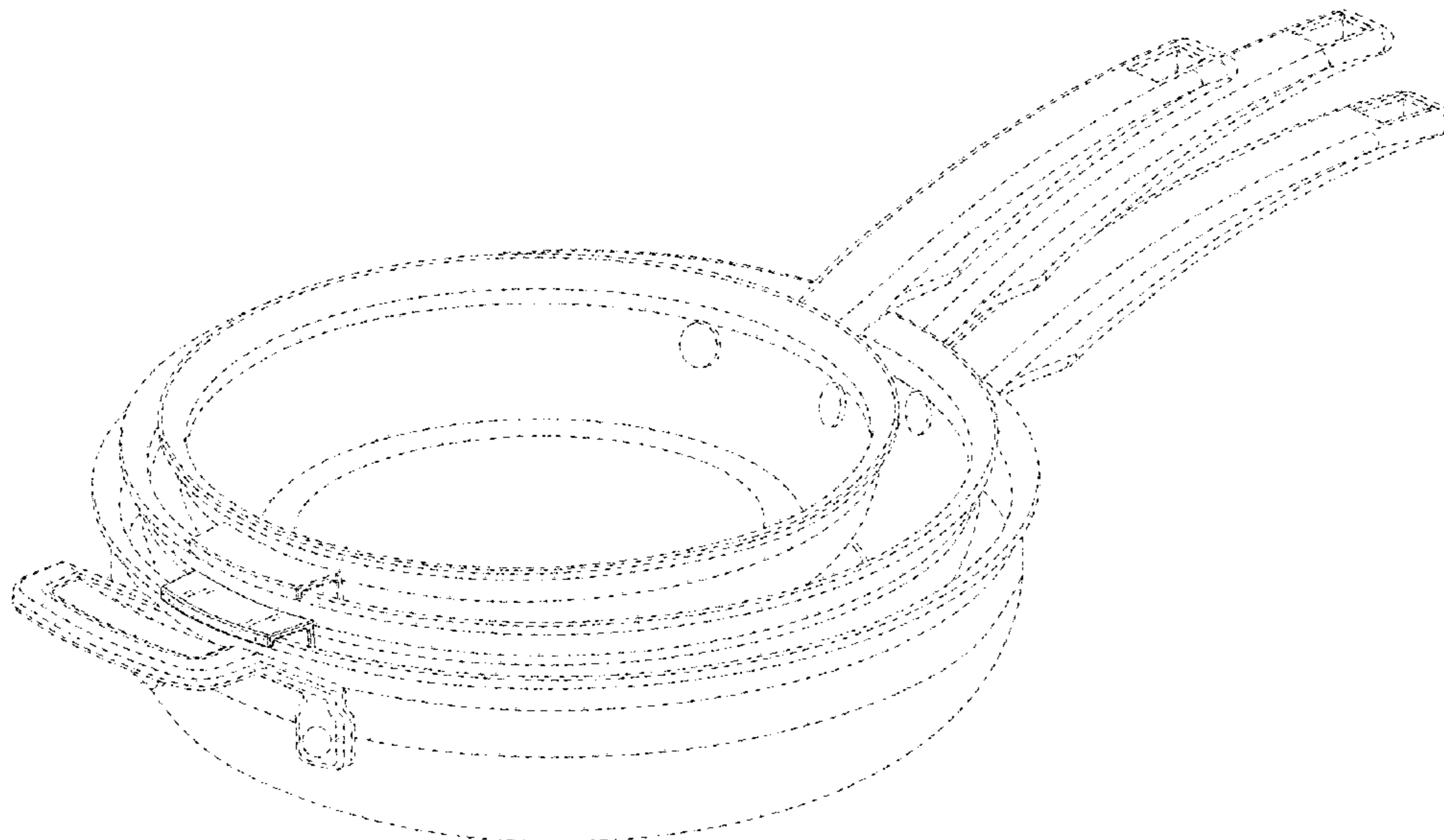
FIG. 6 is a front elevational view of the handle for cookware of FIG. 1;

FIG. 7 is a rear elevational view of the handle for cookware of FIG. 1; and,

FIG. 8 is a right, side perspective view of the handle for cookware of FIG. 1 shown in a stacked configuration with other cookware.

The broken lines represent the environment in which the article resides and forms no part of the claimed design.

1 Claim, 8 Drawing Sheets



(56)

References Cited

U.S. PATENT DOCUMENTS

D818,311 S	5/2018	Munari	
D839,665 S	2/2019	Munari	
D843,166 S	3/2019	Barberi	
D880,222 S	4/2020	Hollinger	
D892,537 S *	8/2020	Watanabe D7/360
D898,509 S	10/2020	Barberi	

* cited by examiner

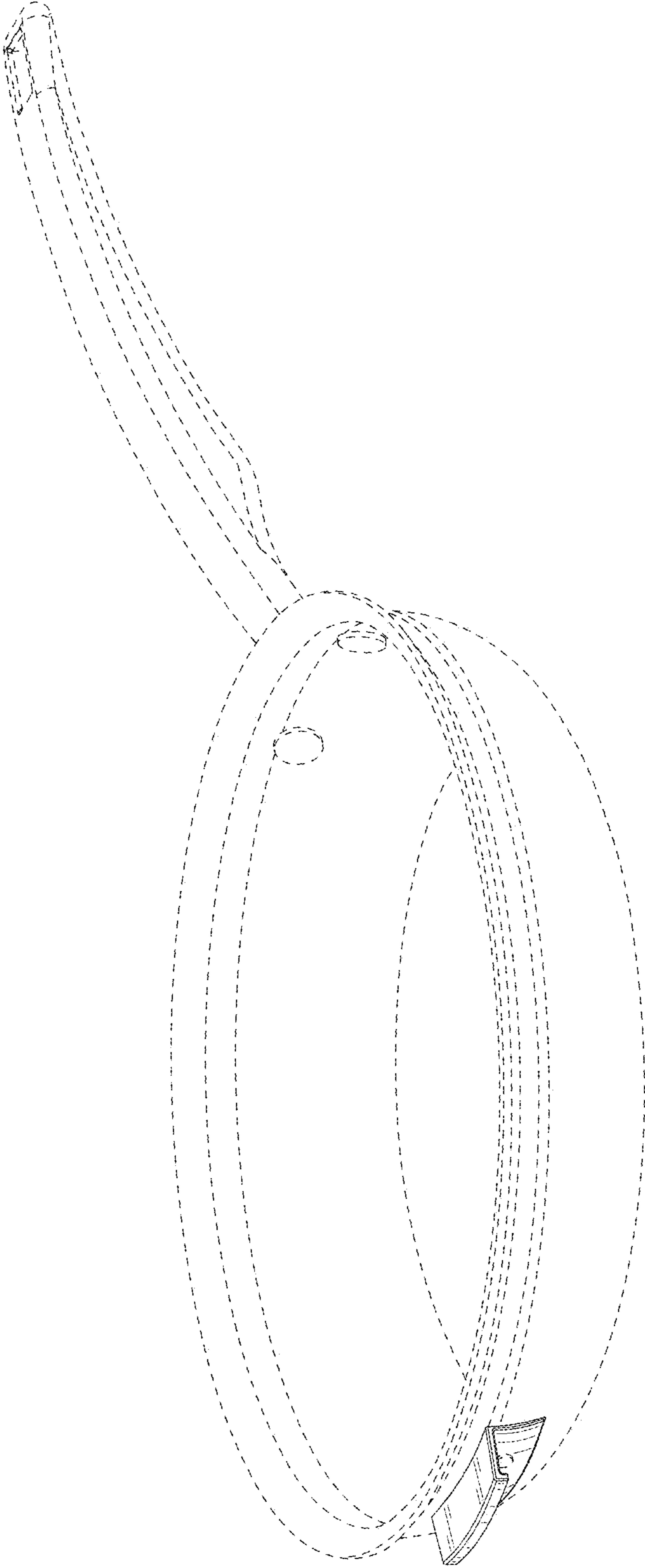


FIG. 1

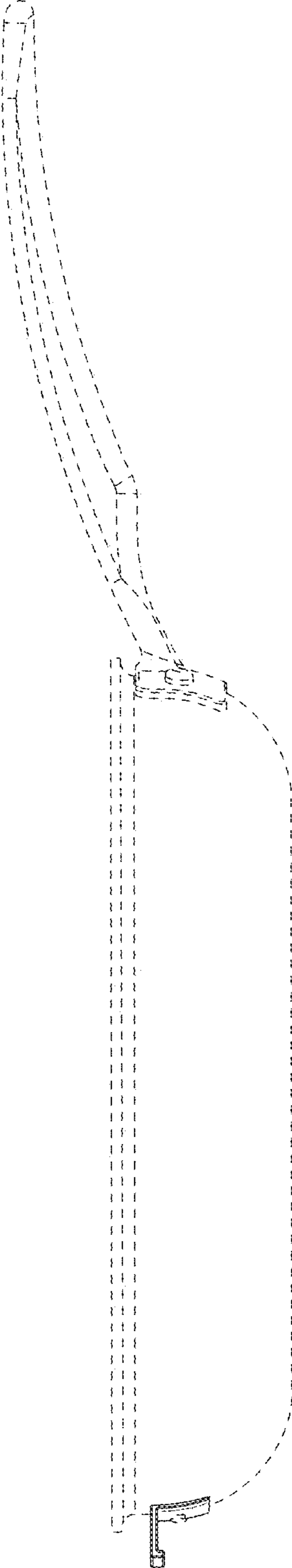


FIG. 2

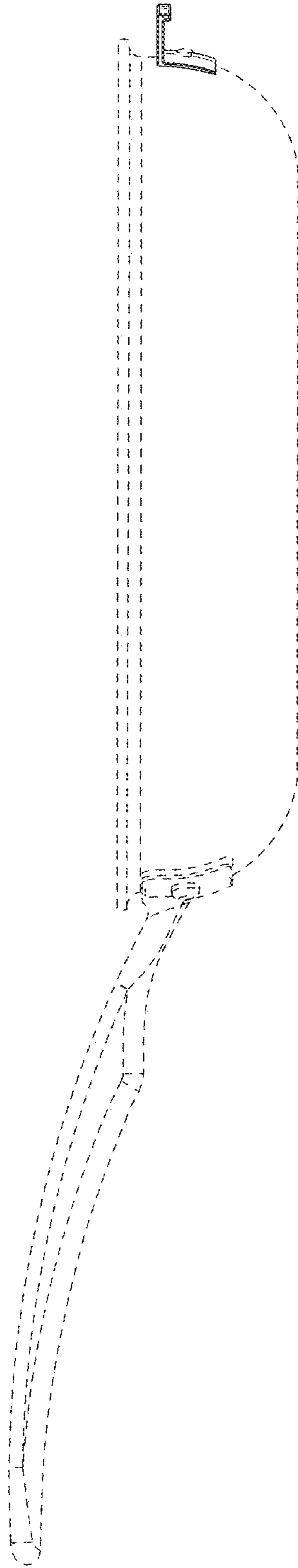


FIG. 3

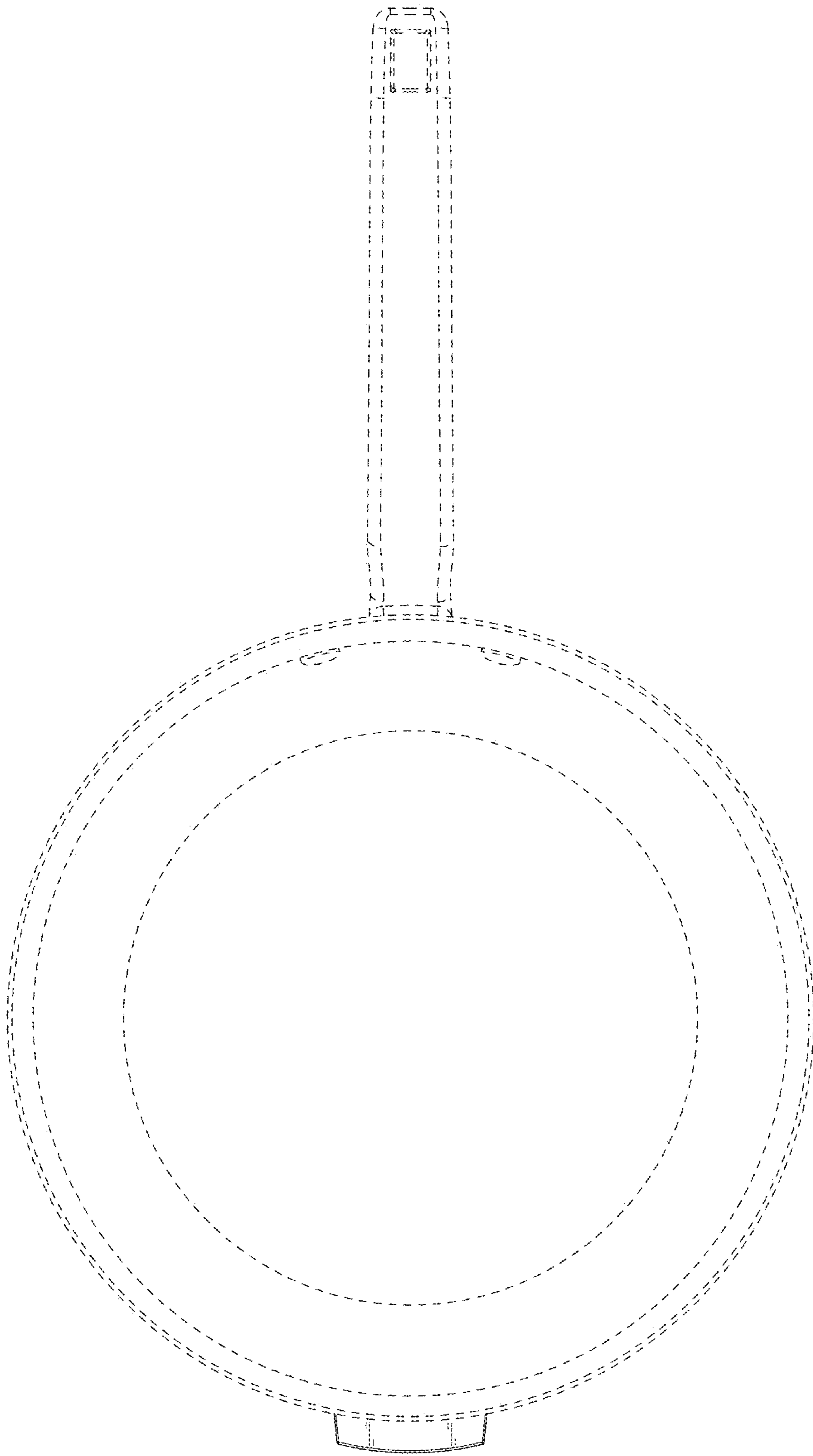


FIG. 4

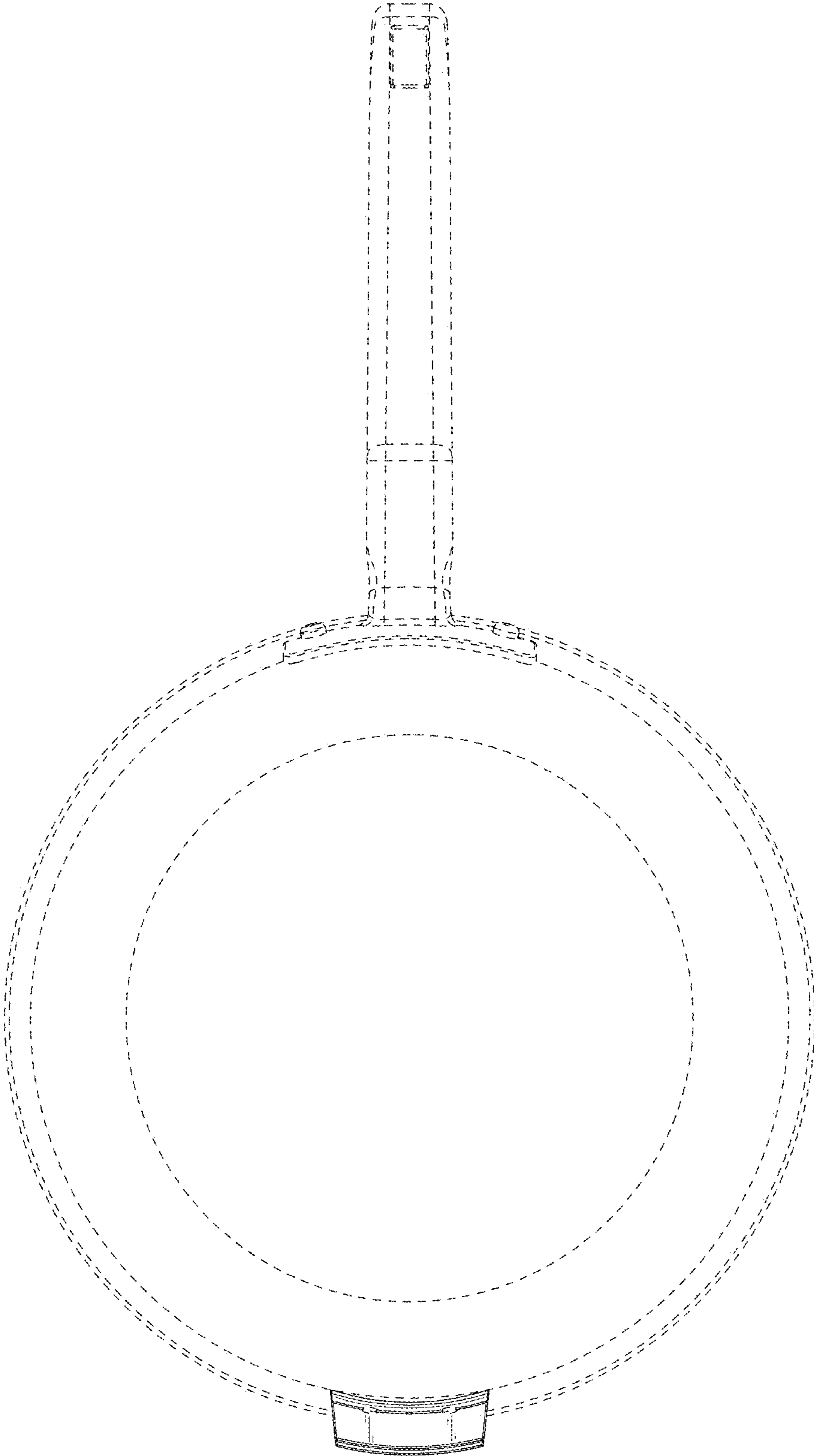


FIG. 5

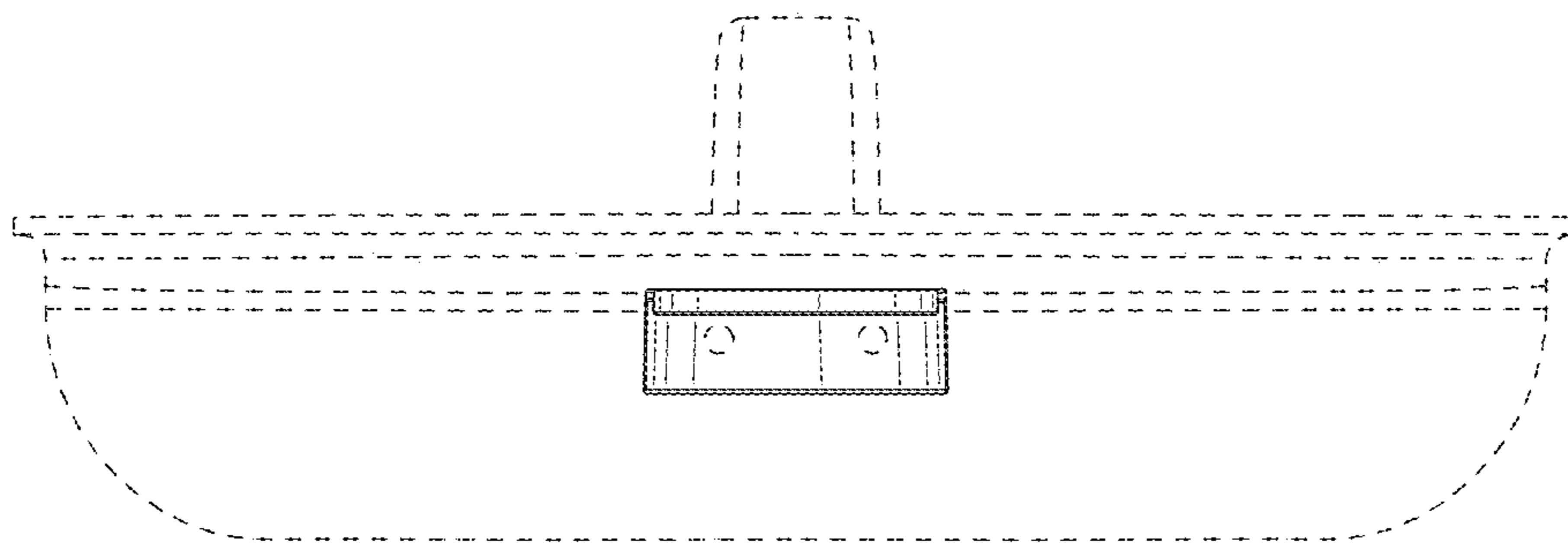


FIG. 6

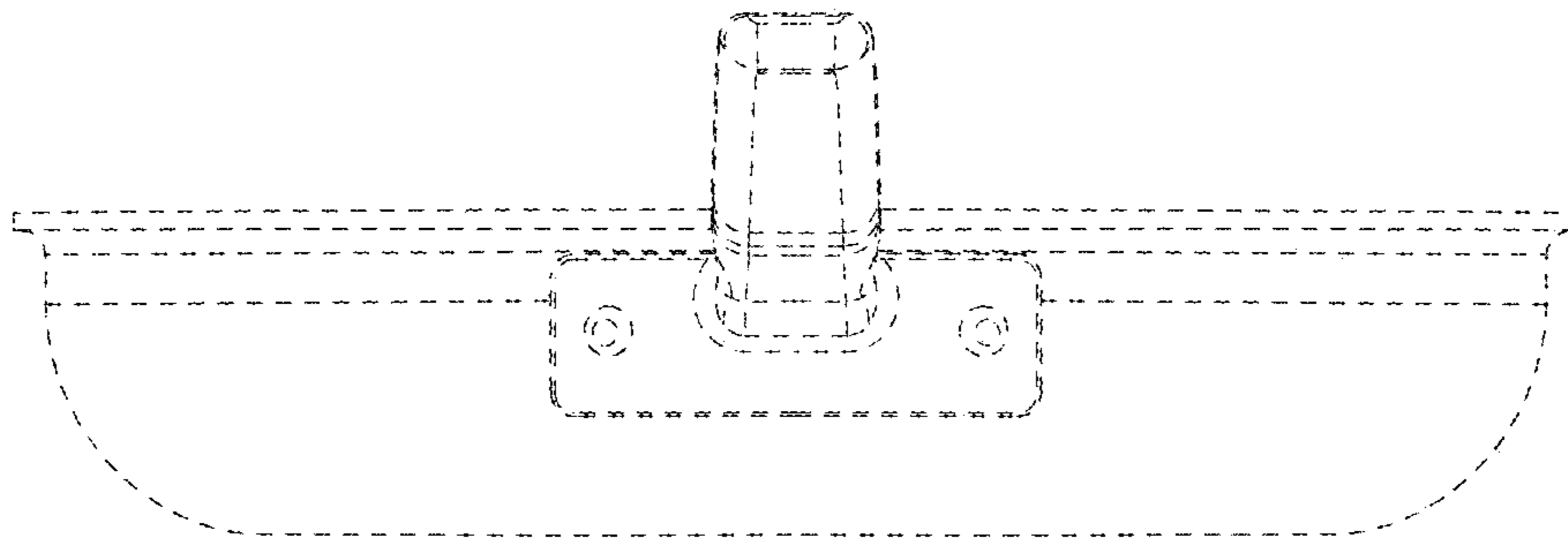


FIG. 7

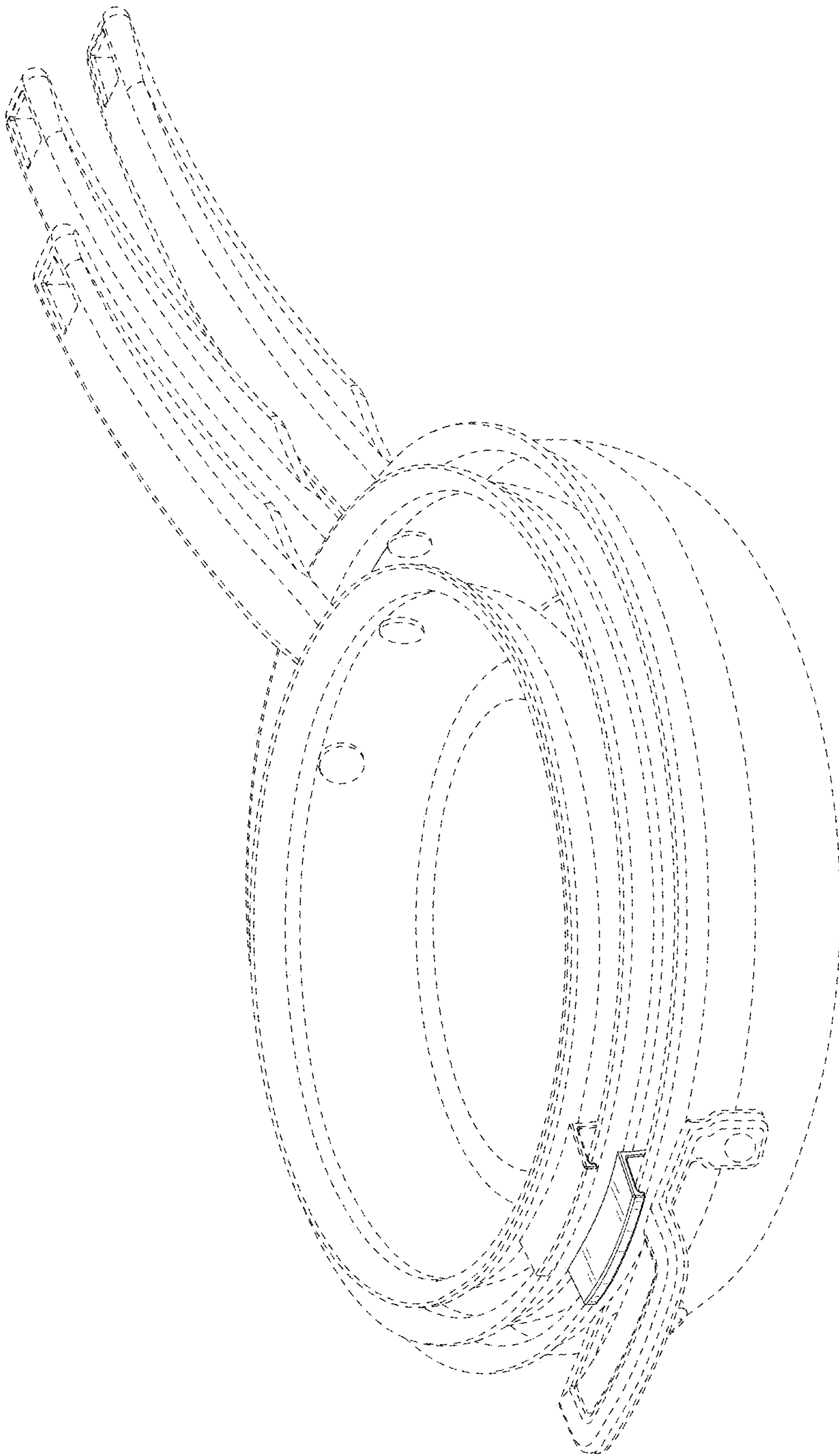


FIG. 8