



US00D925275S

(12) **United States Design Patent**  
**Liu**

(10) **Patent No.:** **US D925,275 S**

(45) **Date of Patent:** **\*\* Jul. 20, 2021**

(54) **BOTTLE LID**

(71) Applicant: **YIWU HONGLU DAILY NECESSITIES CO., LTD.**, Zhejiang (CN)

(72) Inventor: **Wenbing Liu**, Zhejiang (CN)

(73) Assignee: **YIWU HONGLU DAILY NECESSITIES CO., LTD.**, Zhejiang (CN)

(\*\*) Term: **15 Years**

(21) Appl. No.: **29/764,925**

(22) Filed: **Jan. 4, 2021**

(51) **LOC (13) Cl.** ..... **07-01**

(52) **U.S. Cl.**  
USPC ..... **D7/392.1**

(58) **Field of Classification Search**  
USPC ..... D7/392, 392.1, 396.1, 396.2, 397, 509, D7/510, 533, 619.1, 622; D9/435, 443, D9/516  
CPC ..... B65D 47/066; B65D 47/2037; A47G 19/2272  
See application file for complete search history.

(56) **References Cited**

**U.S. PATENT DOCUMENTS**

D652,256 S *	1/2012	Eyal	.....	D7/510
D683,581 S *	6/2013	Archer	.....	D7/392.1
D700,014 S *	2/2014	Zeanah	.....	D7/510
D729,569 S *	5/2015	Herbst	.....	D7/510
D811,162 S *	2/2018	Rane	.....	D7/396.2
D811,879 S	3/2018	Way		
D853,238 S	7/2019	Yao		
D862,985 S *	10/2019	Backs	.....	D7/511
D870,508 S *	12/2019	Palkon	.....	D7/392.1
D897,760 S *	10/2020	Feng	.....	D7/392.1
D899,850 S *	10/2020	Xie	.....	D7/392.1

D911,101 S *	2/2021	Fang	.....	D7/392.1
2006/0226110 A1 *	10/2006	Choi	.....	A45F 3/20 215/228
2010/0193462 A1 *	8/2010	Roth	.....	B65D 81/18 215/229
2012/0187075 A1 *	7/2012	El-Saden	.....	B65D 51/242 215/389

**OTHER PUBLICATIONS**

“Cheetah Straw Lid”. Found online Apr. 16, 2021 at amazon.com. Reference dated May 6, 2020. Retrieved from <https://www.amazon.com/CHEETAH-Rambler-Bottle-Straws-Include/dp/B08884H32Q?>\*

(Continued)

*Primary Examiner* — Kendra Leslie Hamilton

(74) *Attorney, Agent, or Firm* — ScienBiziP, P.C.

(57) **CLAIM**

The ornamental design for a bottle lid, as shown and described.

**DESCRIPTION**

FIG. 1 is a top, front, right perspective view of a bottle lid, showing my design in a first configuration wherein the nozzle is stowed within the lid.

FIG. 2 is a rear, left, and bottom perspective view thereof.

FIG. 3 is a front elevation view thereof.

FIG. 4 is a rear elevation view thereof.

FIG. 5 is a left side elevation view thereof.

FIG. 6 is a right side elevation view thereof.

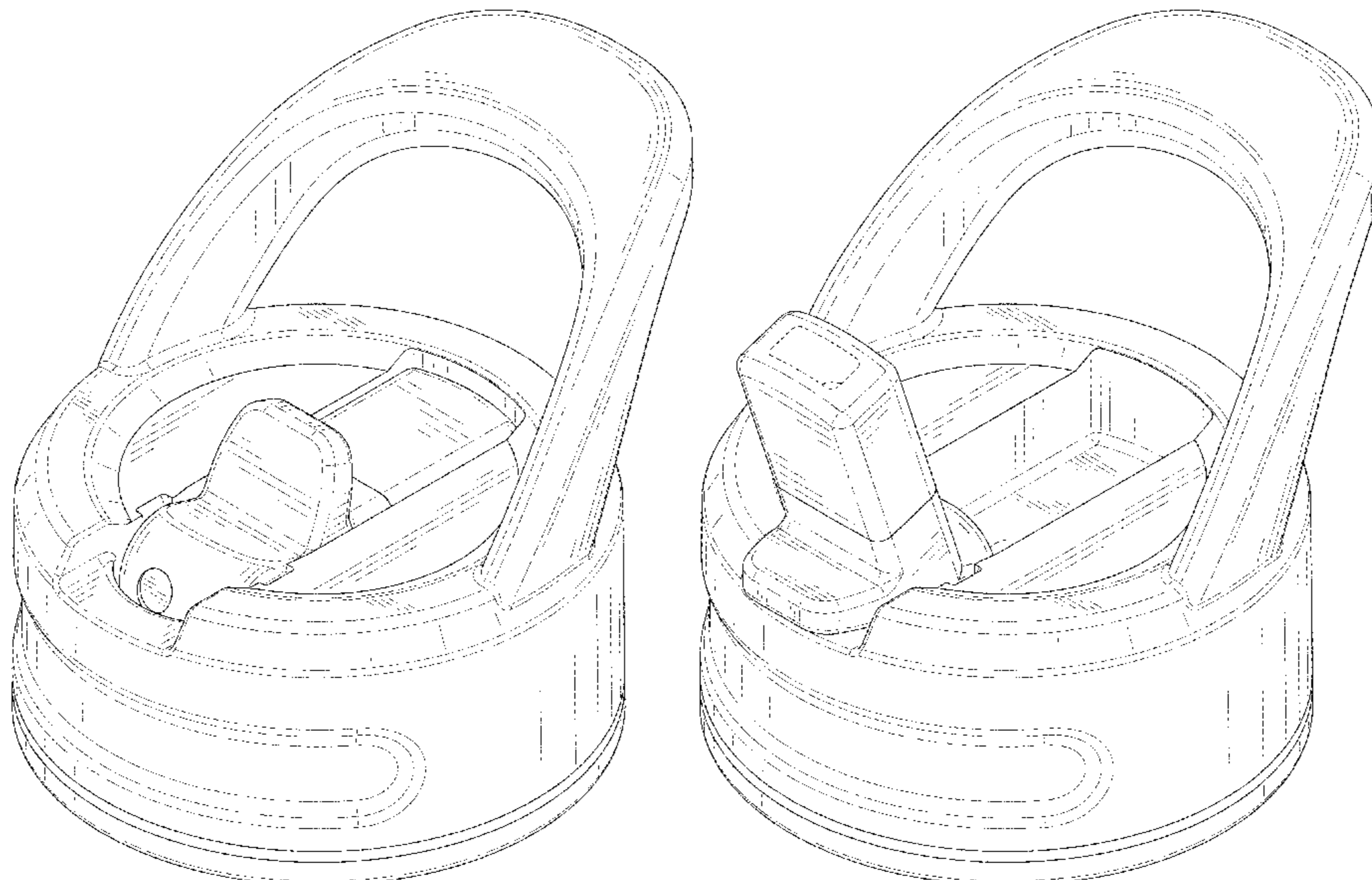
FIG. 7 is a top plan view thereof.

FIG. 8 is a bottom plan view thereof; and,

FIG. 9 is a top, front, right perspective view of the bottle lid of FIG. 1, show in a second configuration wherein the nozzle is deployed.

The broken lines in the drawings depict portions of the bottle lid that form no part of the claimed design.

**1 Claim, 9 Drawing Sheets**



(56)

**References Cited**

OTHER PUBLICATIONS

“Simple Modern: Summit Water Bottle Lid 3-Pack: Flip Lid with Handle, Insulated Straw Lid, and Insulated Chug Lid”. Found online Apr. 16, 2021 at amazon.com. Reference dated Aug. 7, 2019. Retrieved from [https://www.amazon.com/Simple-Modern-Summit-Water-Bottle/dp/B07W7W7R5J/ref=sr\\_1\\_1\\_sspa?](https://www.amazon.com/Simple-Modern-Summit-Water-Bottle/dp/B07W7W7R5J/ref=sr_1_1_sspa?).\*

“Nathan: Pure-Flip Straw Bottle”. Found online Jun. 27, 2017 at goodhousekeeping.com. Reference dated Apr. 2009. Retrieved from <http://www.goodhousekeeping.com/home-products/reusable-water-bottle-reviews/a28689/nathan-flip-straw-pure-bottle-626/>.\*

\* cited by examiner

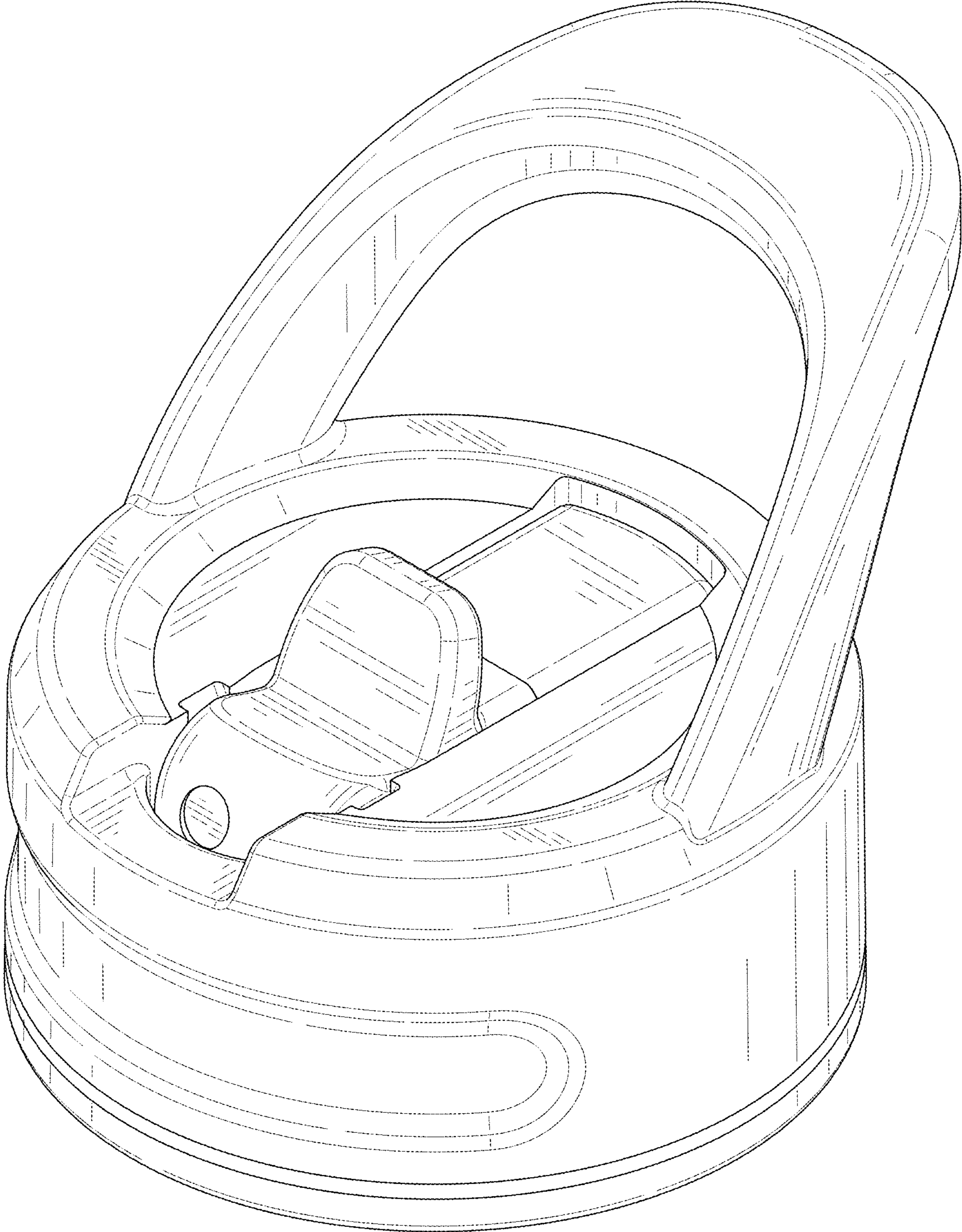


FIG. 1

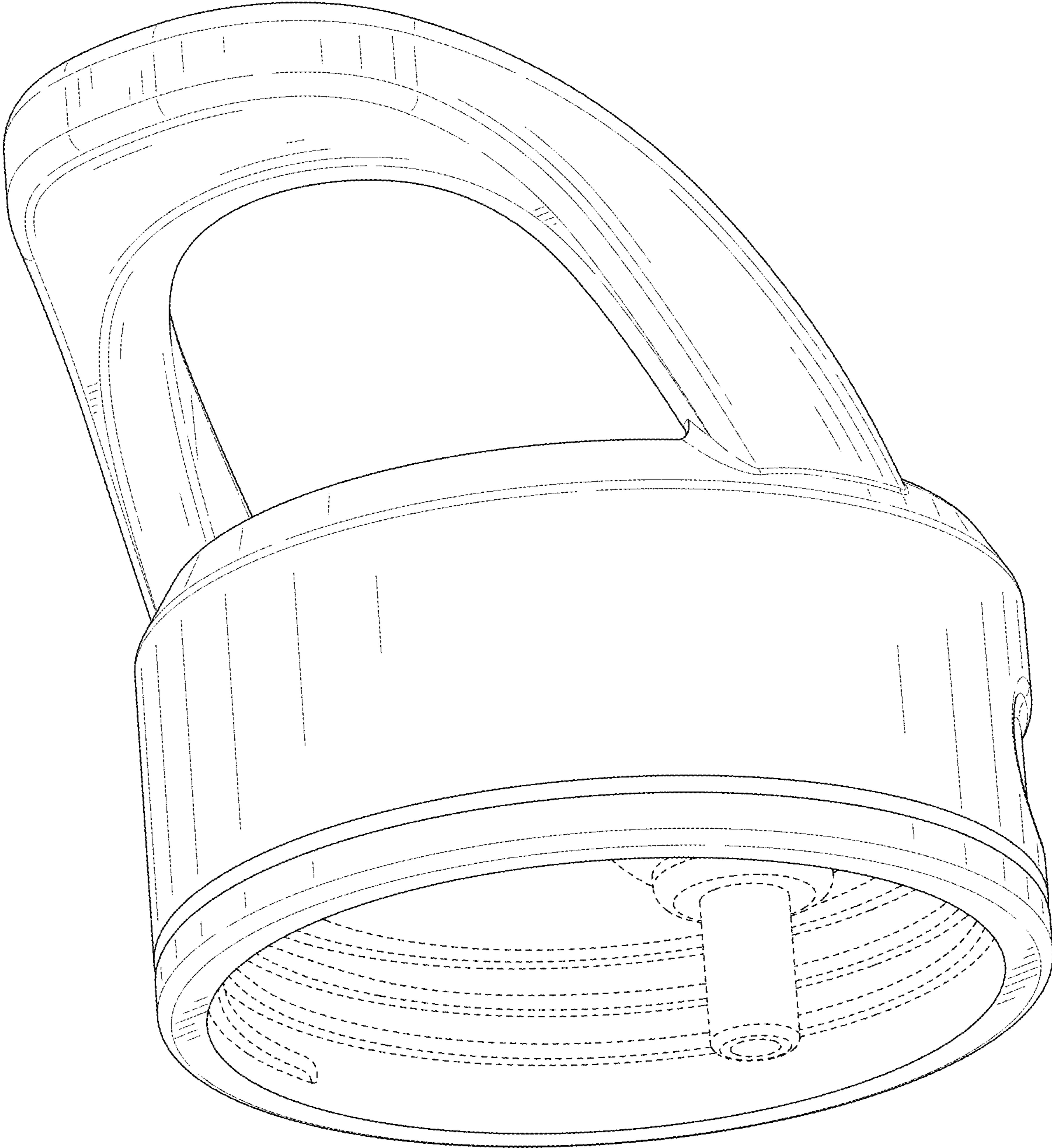


FIG. 2

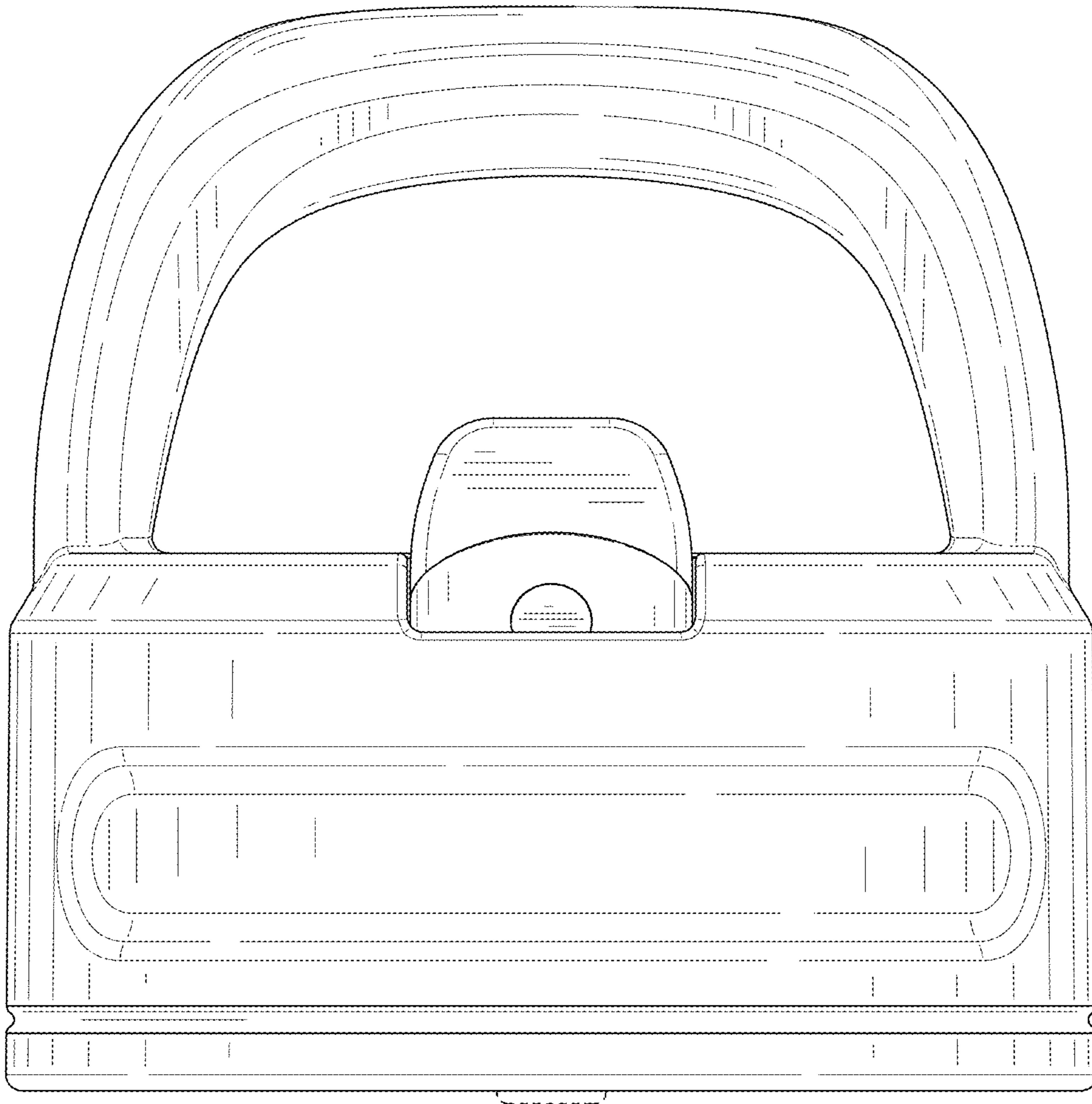


FIG. 3

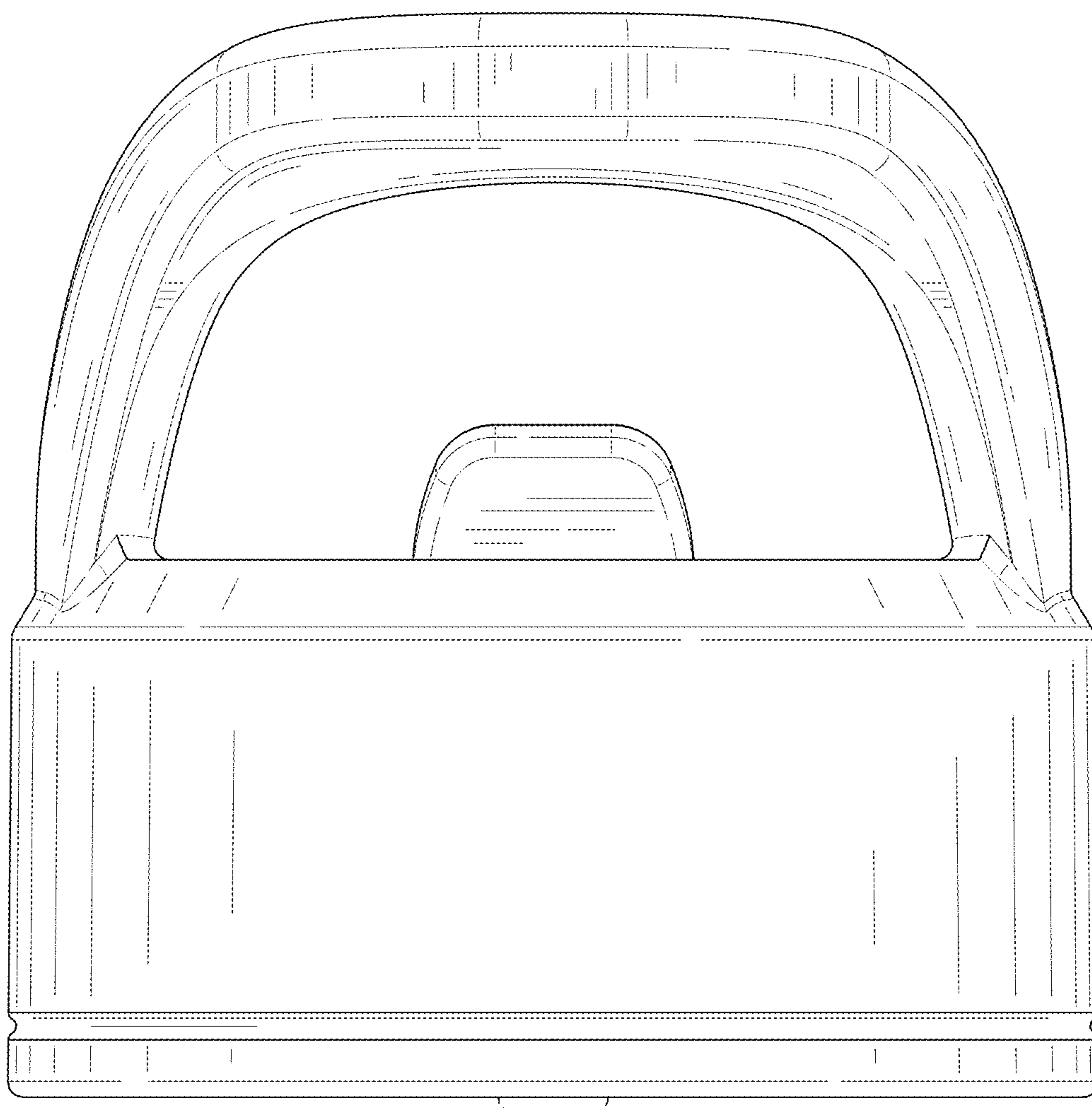


FIG. 4

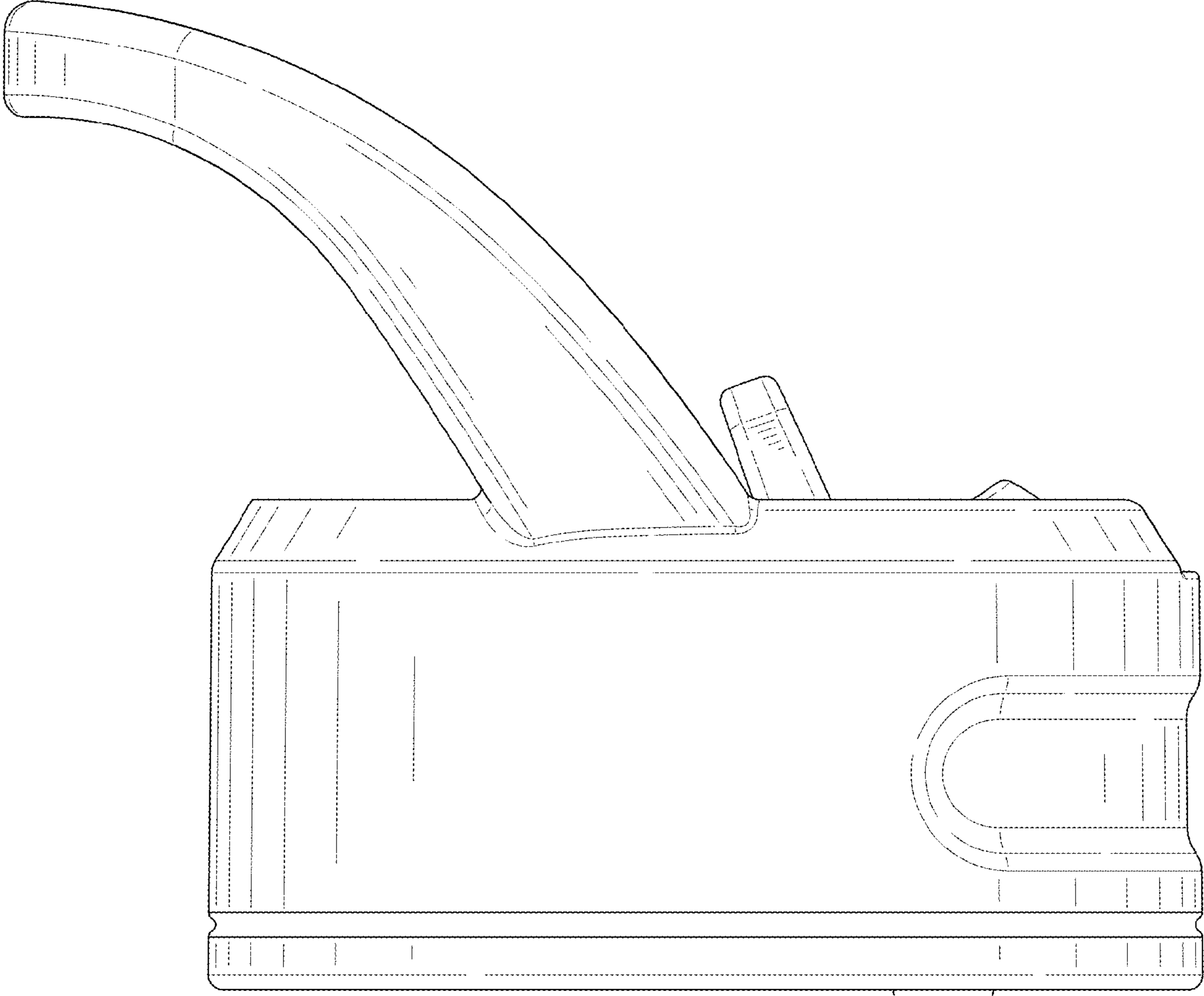


FIG. 5

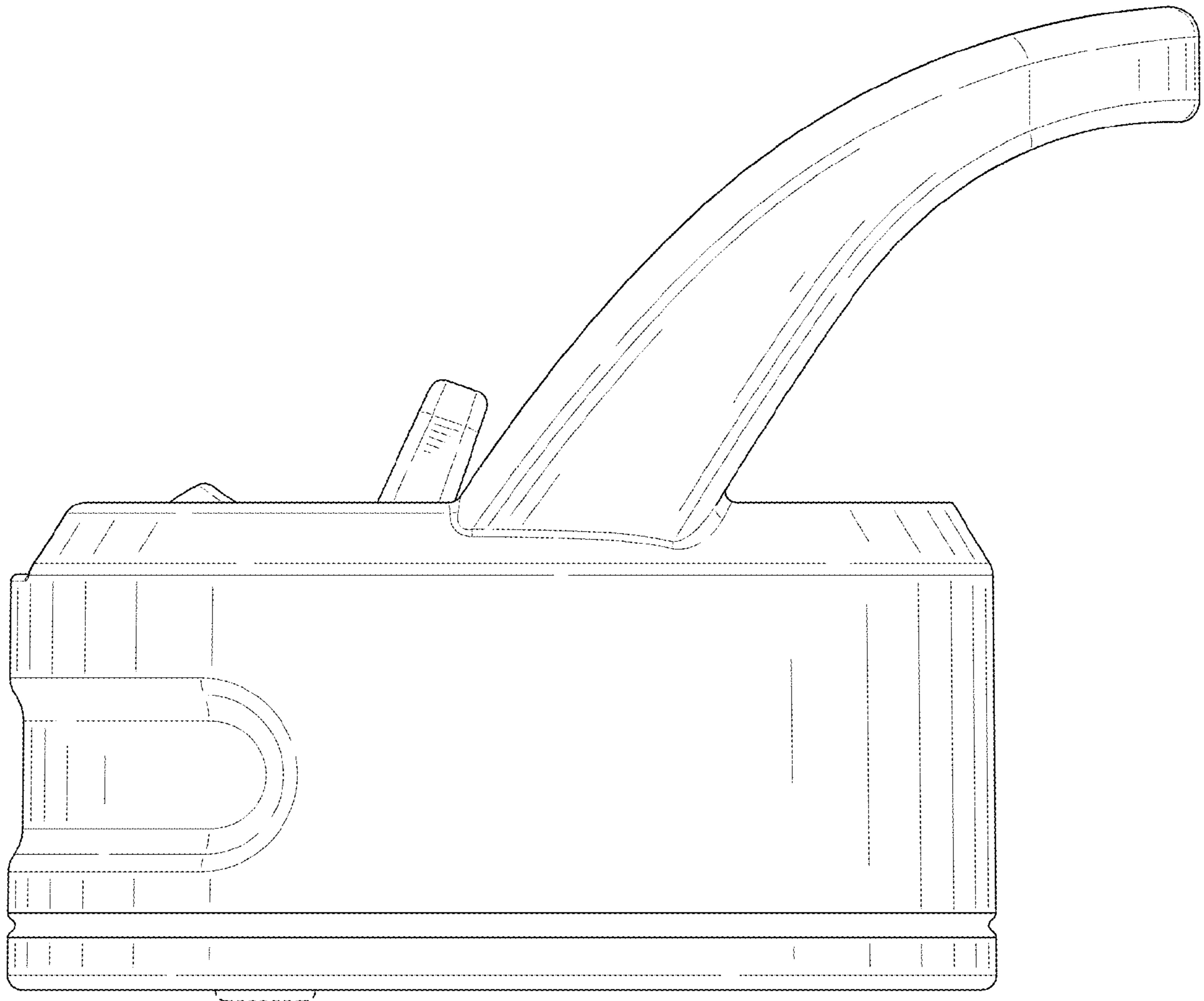


FIG. 6



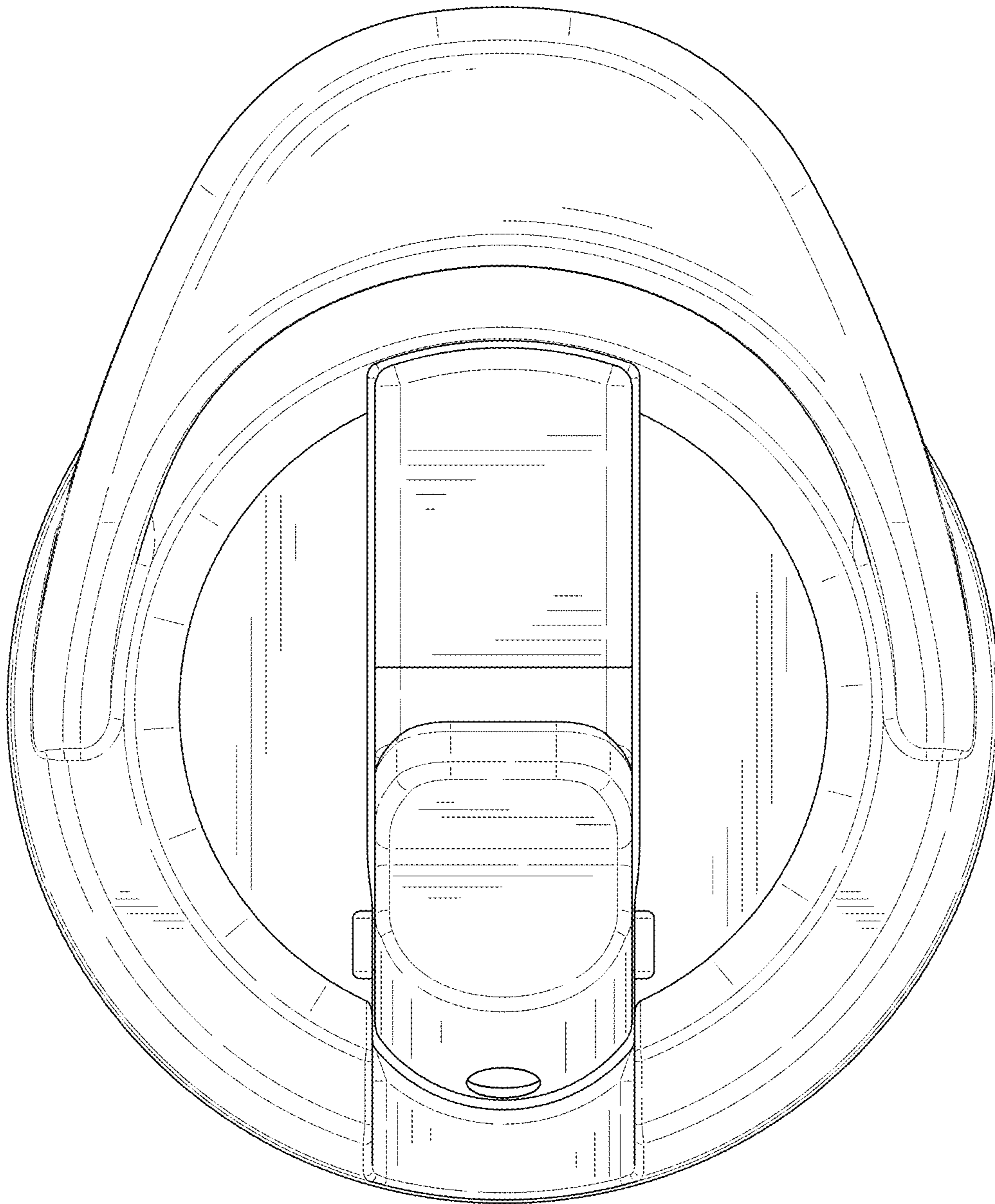


FIG. 7

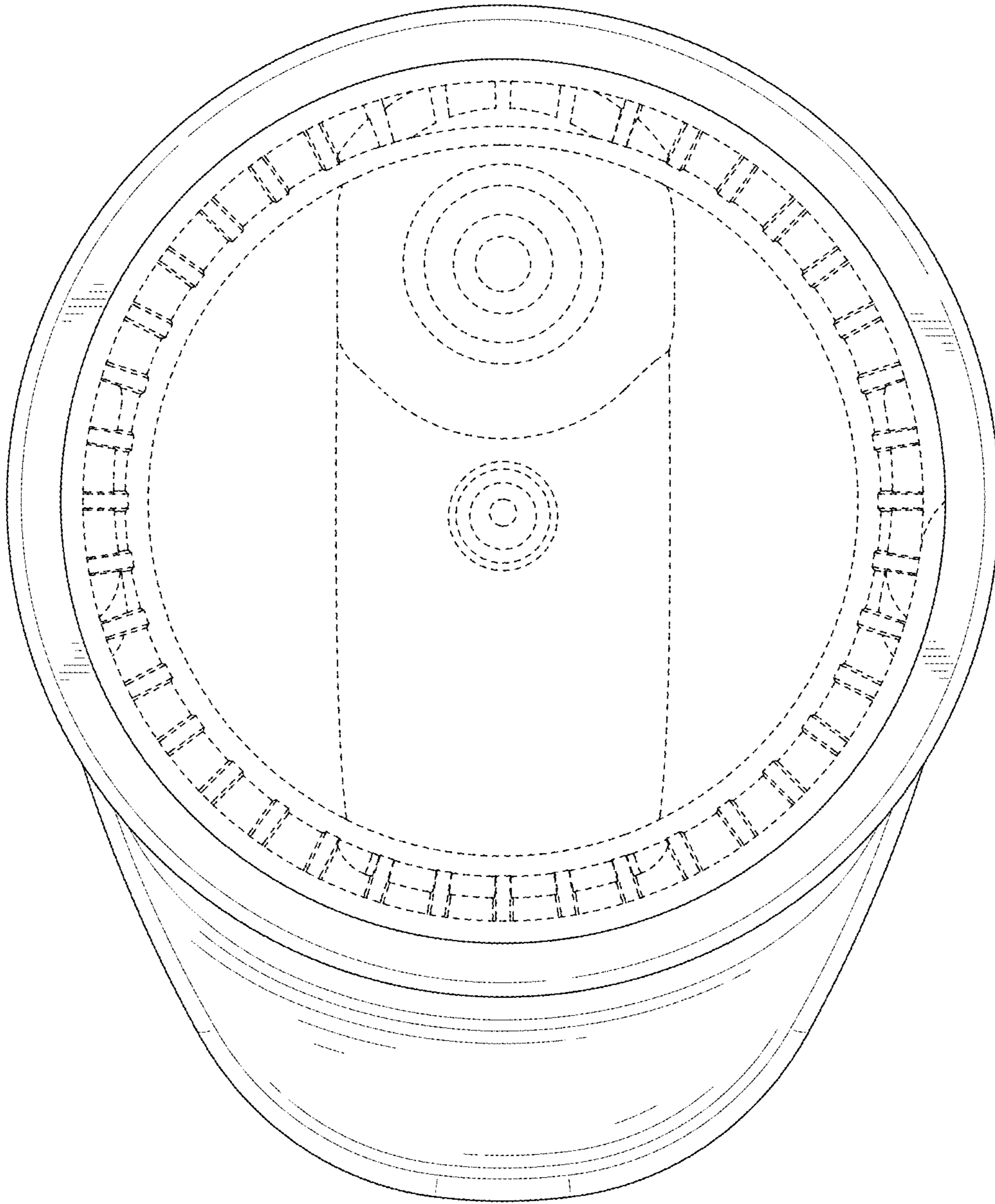


FIG. 8

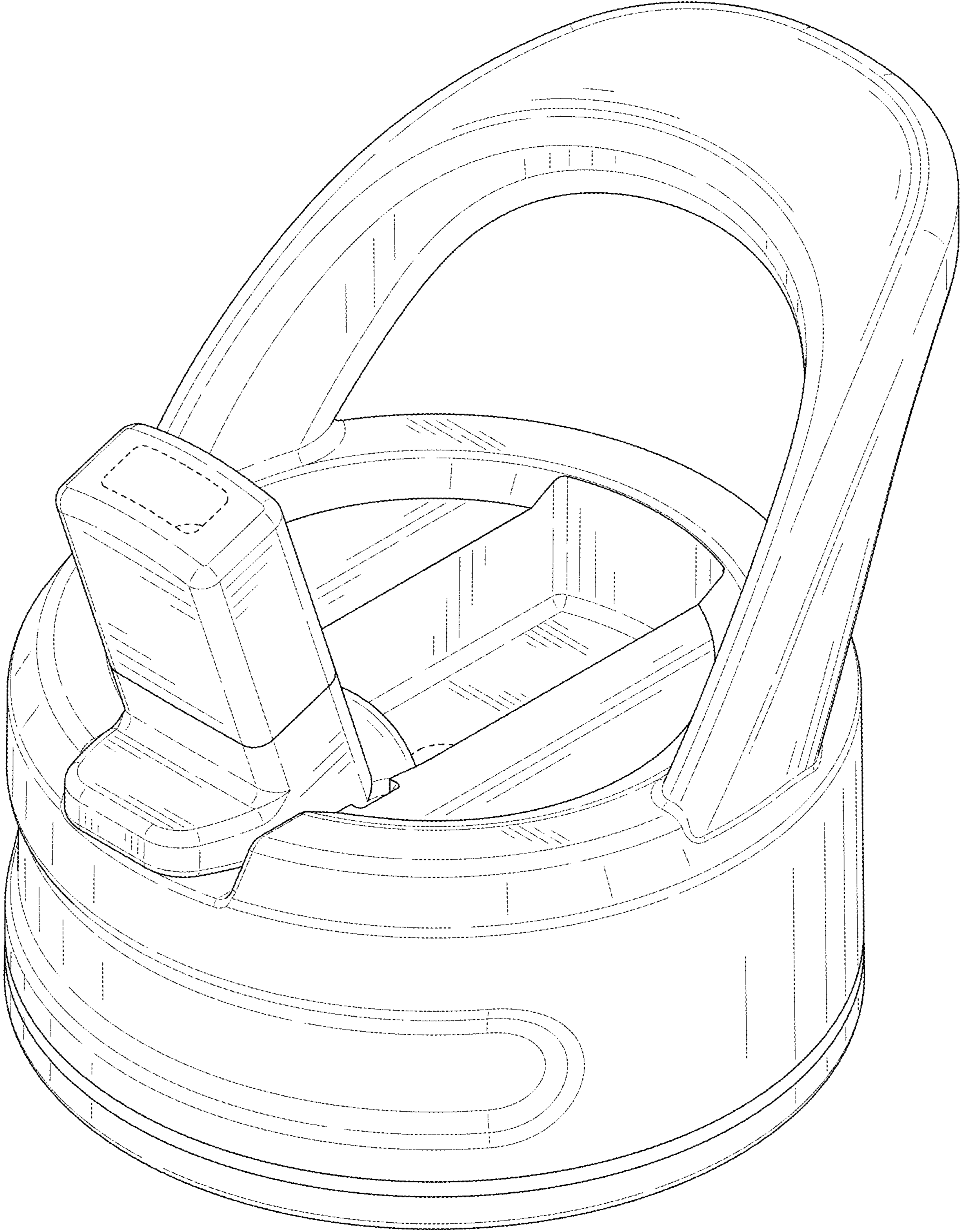


FIG. 9