



US00D925273S

(12) **United States Design Patent**  
**Yao et al.**

(10) **Patent No.:** **US D925,273 S**  
(45) **Date of Patent:** **\*\* Jul. 20, 2021**

(54) **BASE FOR FOOD PROCESSOR**  
(71) Applicant: **MIDEA GROUP CO., LTD.**,  
Guangdong (CN)  
(72) Inventors: **Yuan Yao**, Guangdong (CN); **Yangzong Lu**,  
Guangdong (CN); **Jieping Hou**,  
Guangdong (CN)

(73) Assignee: **Midea Group Co., Ltd.**, Foshan (CN)

(\*\*) Term: **15 Years**

(21) Appl. No.: **35/509,332**

(22) Filed: **Dec. 23, 2019**

(80) **Hague Agreement Data**

Int. Filing Date: **Dec. 23, 2019**  
Int. Reg. No.: **DM/207944**  
Int. Reg. Date: **Dec. 23, 2019**  
Int. Reg. Pub. Date: **May 15, 2020**

(30) **Foreign Application Priority Data**

Aug. 2, 2019 (CN) ..... 201930419323.8

(51) **LOC (13) Cl.** ..... **31-00**

(52) **U.S. Cl.**  
USPC ..... **D7/384**

(58) **Field of Classification Search**  
USPC ..... D7/358, 360, 361, 384, 412-413  
CPC .... A47J 43/0716; A47J 43/0722; A47J 43/07;  
A47J 43/085; A47J 43/0761; A47J 43/04;  
A47J 27/004; A47J 37/0629  
See application file for complete search history.

(56) **References Cited**

**U.S. PATENT DOCUMENTS**

D290,218 S \* 6/1987 Thomas ..... D7/412  
6,640,692 B1 \* 11/2003 Hilgers ..... A47J 27/004  
366/144  
D496,823 S \* 10/2004 Josancy ..... D7/360

D581,206 S \* 11/2008 Roussard ..... D7/358  
D625,142 S \* 10/2010 Moore ..... D7/384  
D625,143 S \* 10/2010 Moore ..... D7/384  
D625,144 S \* 10/2010 Moore ..... D7/384  
D626,784 S \* 11/2010 Xie ..... D7/360  
D707,079 S \* 6/2014 Blaise ..... D7/384  
D708,007 S \* 7/2014 Lazzer ..... D7/384  
D734,976 S \* 7/2015 Quinn ..... D7/360

(Continued)

*Primary Examiner* — Michael A. Pratt

(74) *Attorney, Agent, or Firm* — Morgan, Lewis & Bockius LLP

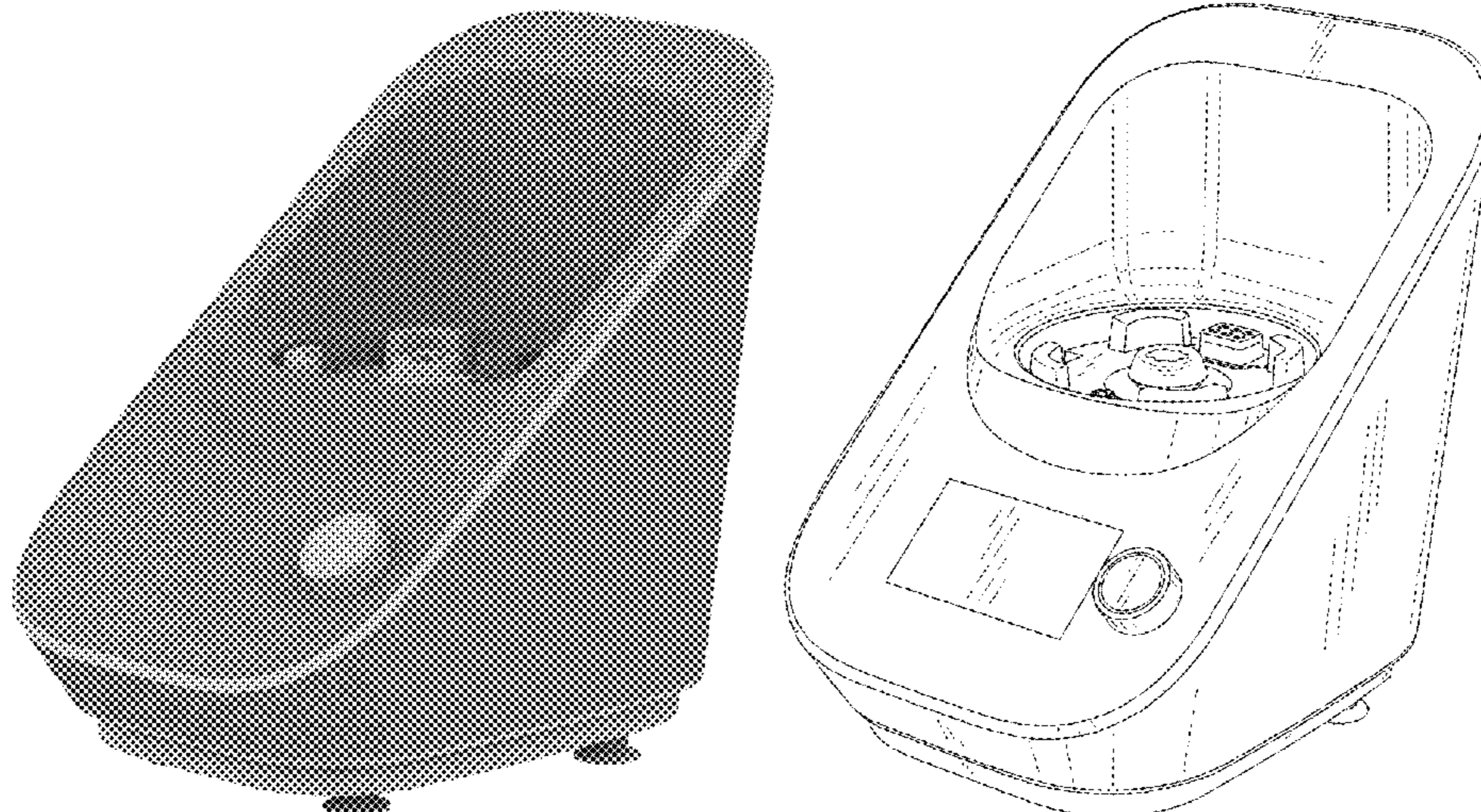
(57) **CLAIM**

The ornamental design for a base for food processor, as shown and described.

**DESCRIPTION**

1.-2. Base for food processor  
**1.1** : Front  
**1.2** : Back  
**1.3** : Left  
**1.4** : Right  
**1.5** : Top  
**1.6** : Bottom  
**1.7** : Perspective  
**1.8** : Reference view of state of use  
**2.1** : Front  
**2.2** : Back  
**2.3** : Left  
**2.4** : Right  
**2.5** : Top  
**2.6** : Bottom  
**2.7** : Perspective  
**2.8** : Reference view of state of use  
Reproductions **1.8** and **2.8** are reference views showing the state in use of the claimed design and form no part of the claimed design; the broken lines showing the food processor jar are for the purpose of illustrating environment and form no part of the claimed design; no color is claimed in this design application.

**1 Claim, 16 Drawing Sheets**



(56)

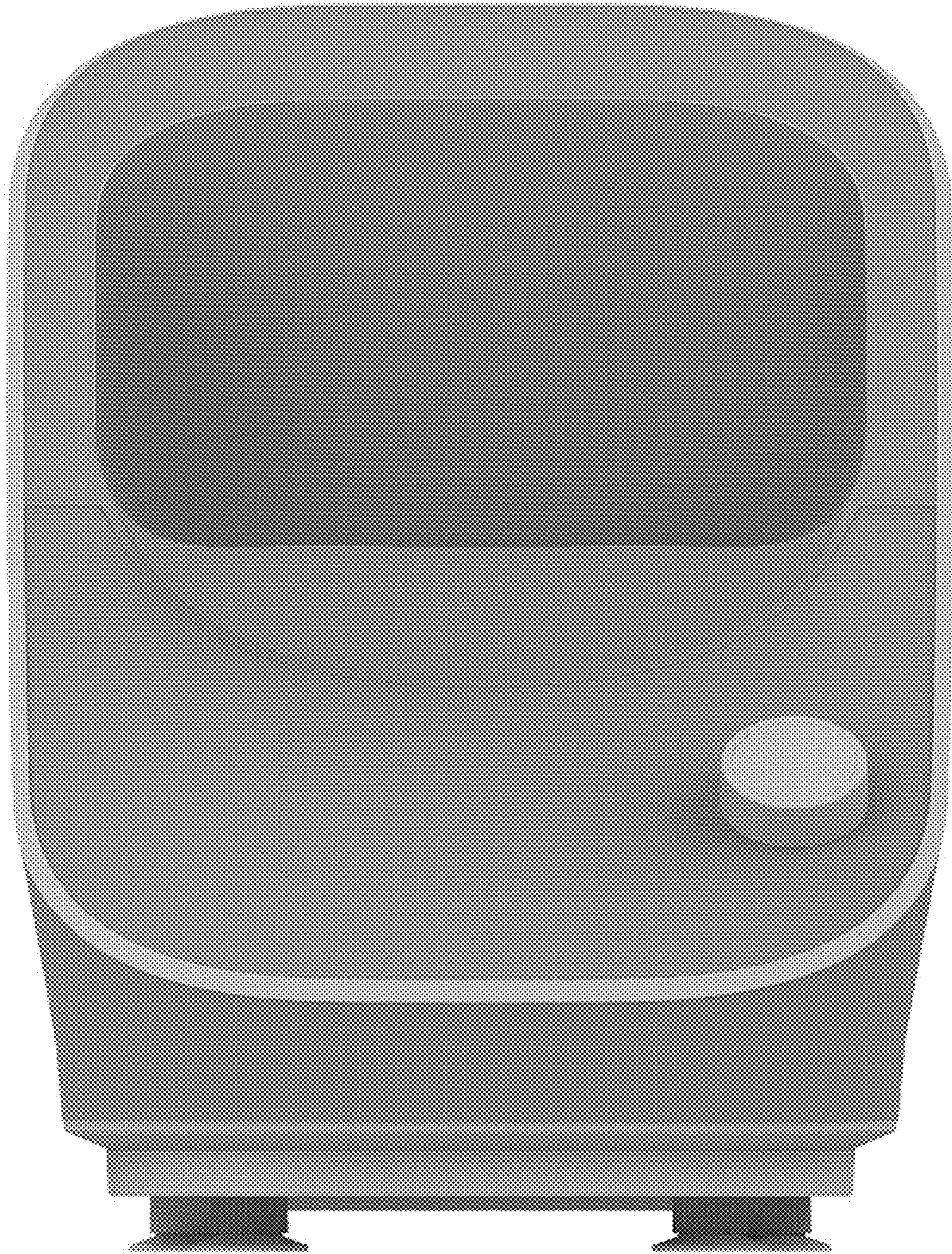
**References Cited**

U.S. PATENT DOCUMENTS

D811,805	S *	3/2018	Smith	.....	D7/384
D853,782	S *	7/2019	Conti	.....	D7/384
D896,022	S *	9/2020	Ye	.....	D7/384
D896,023	S *	9/2020	Ye	.....	D7/384
D896,567	S *	9/2020	Bai	.....	D7/384
D899,843	S *	10/2020	Ye	.....	D7/384
D899,844	S *	10/2020	Ye	.....	D7/386
2008/0198688	A1 *	8/2008	Peng	.....	A47J 27/004 366/145
2014/0083305	A1 *	3/2014	Lin	.....	A47J 44/02 99/353
2014/0299692	A1 *	10/2014	Zakowski	.....	A47J 43/0716 241/100
2016/0035335	A1 *	2/2016	Kolar	.....	A47J 43/046 366/314
2016/0220071	A1 *	8/2016	Hewitt	.....	A47J 43/0716
2017/0217042	A1 *	8/2017	Zakowski	.....	A47J 43/0716
2018/0206677	A1 *	7/2018	Ivarsson	.....	A47J 27/004
2019/0111439	A1 *	4/2019	Bouhours	.....	B02C 18/18
2021/0022557	A1 *	1/2021	Atinaja	.....	A47J 43/0716

\* cited by examiner

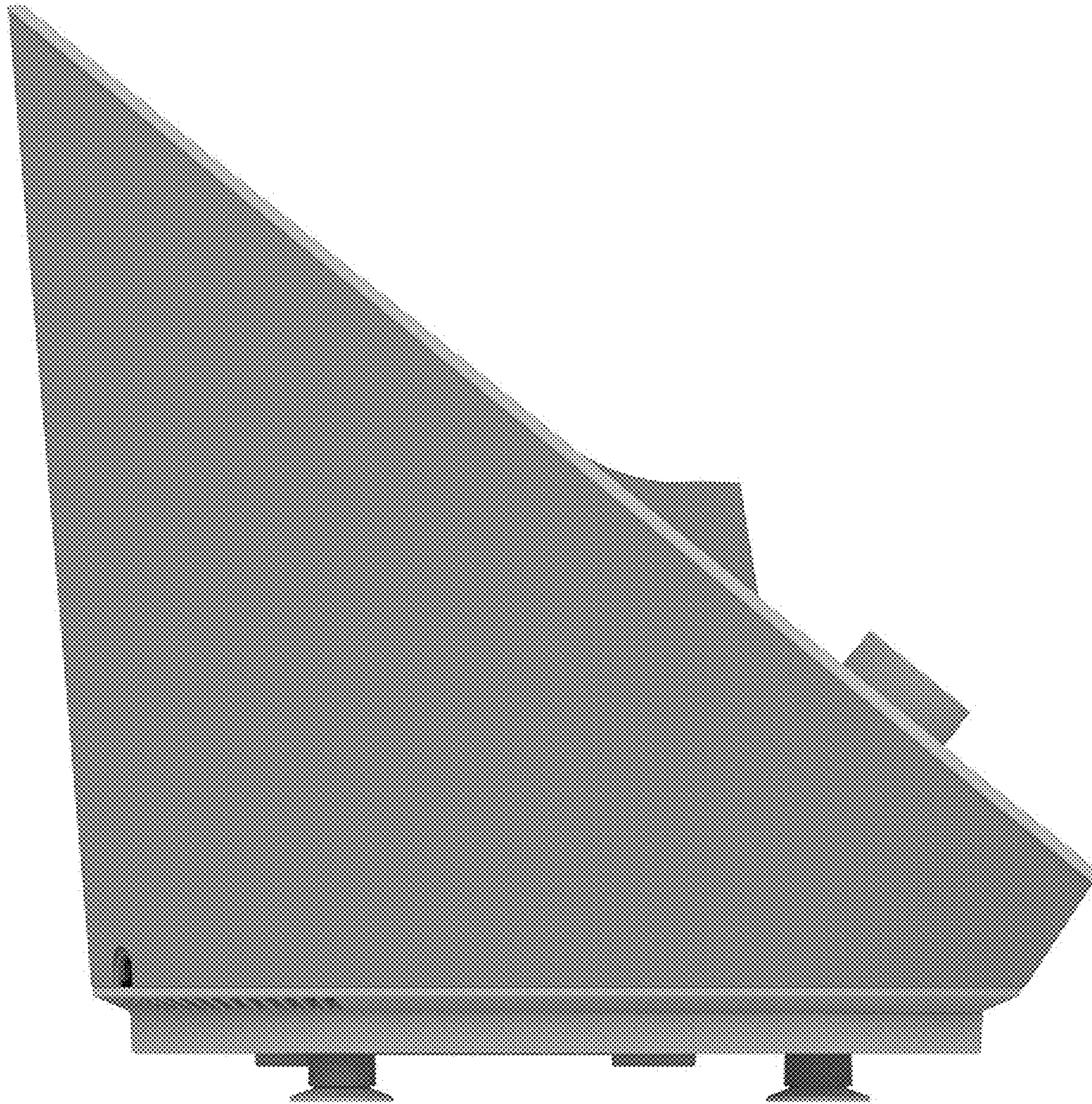
1.1



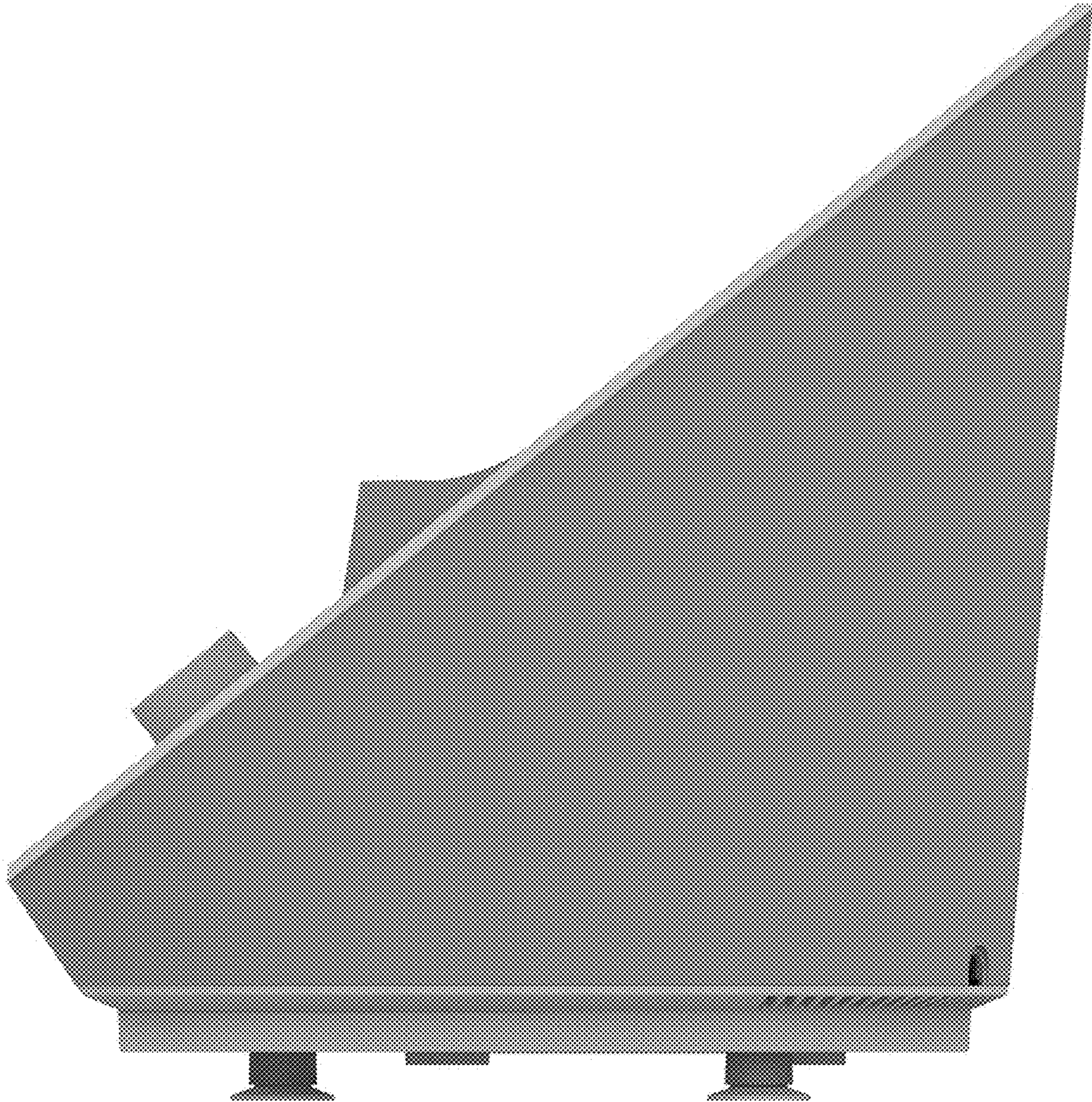
1.2



1.3



1.4



1.5



1.6





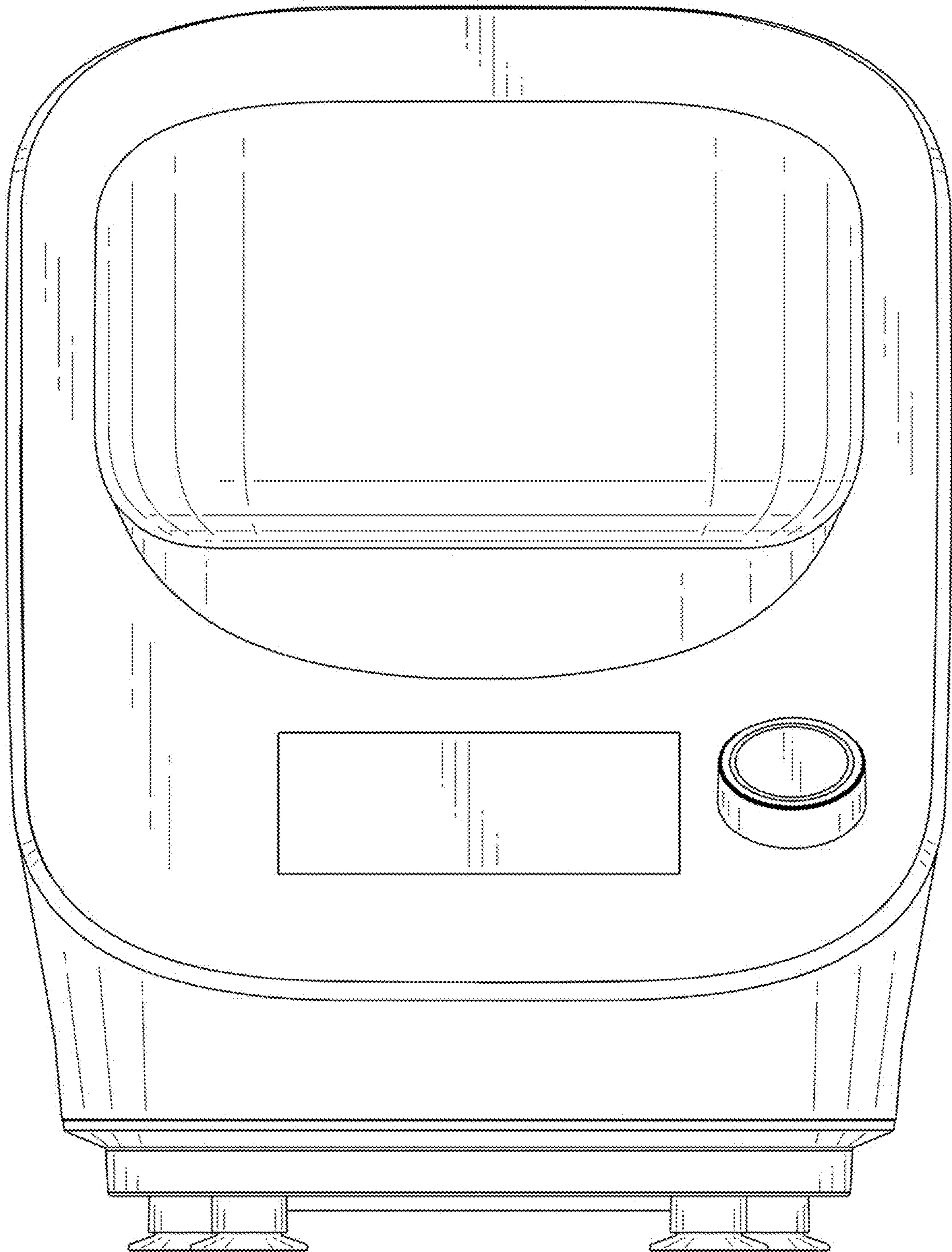
1.7



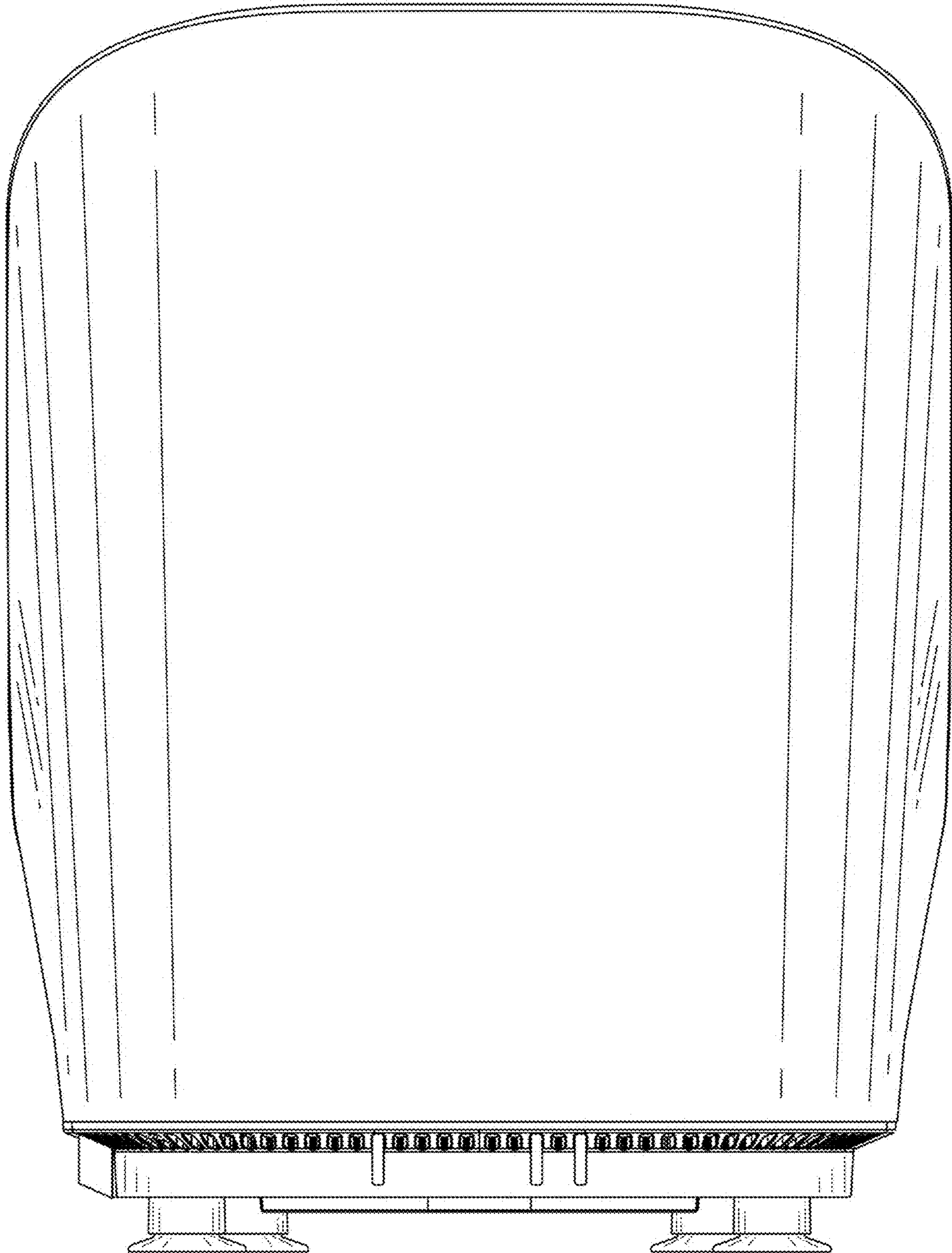
1.8

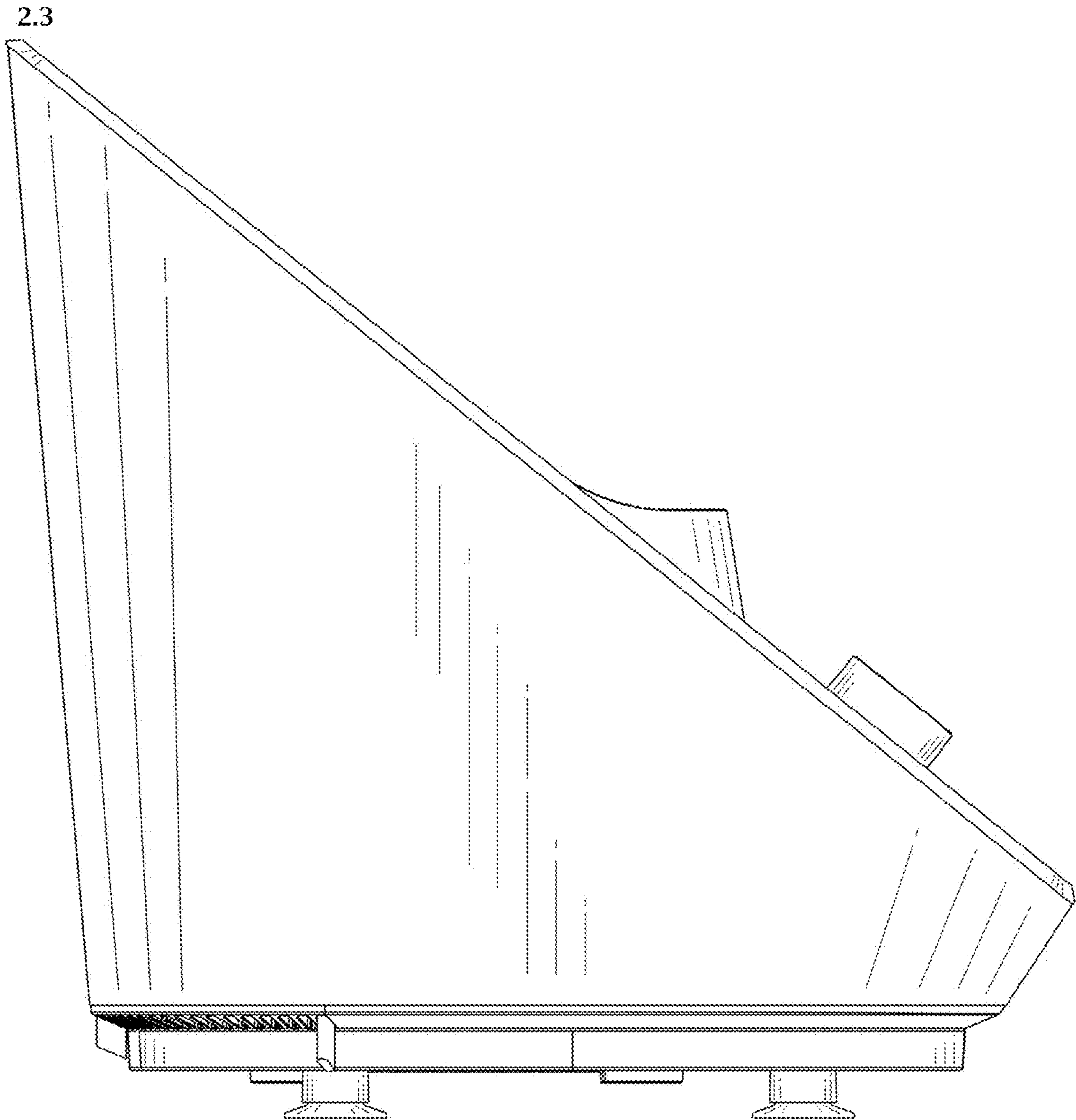


2.1

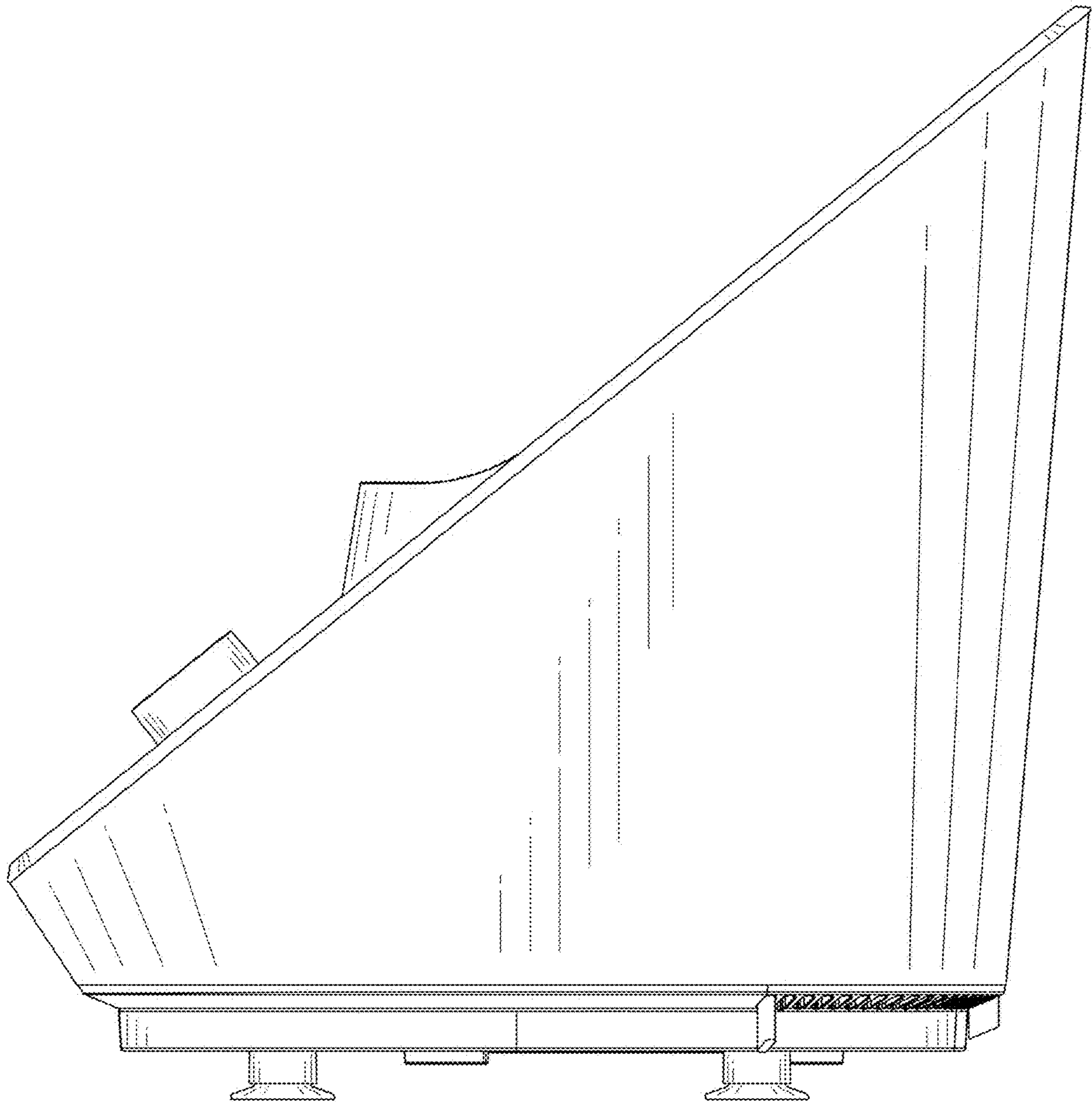


2.2

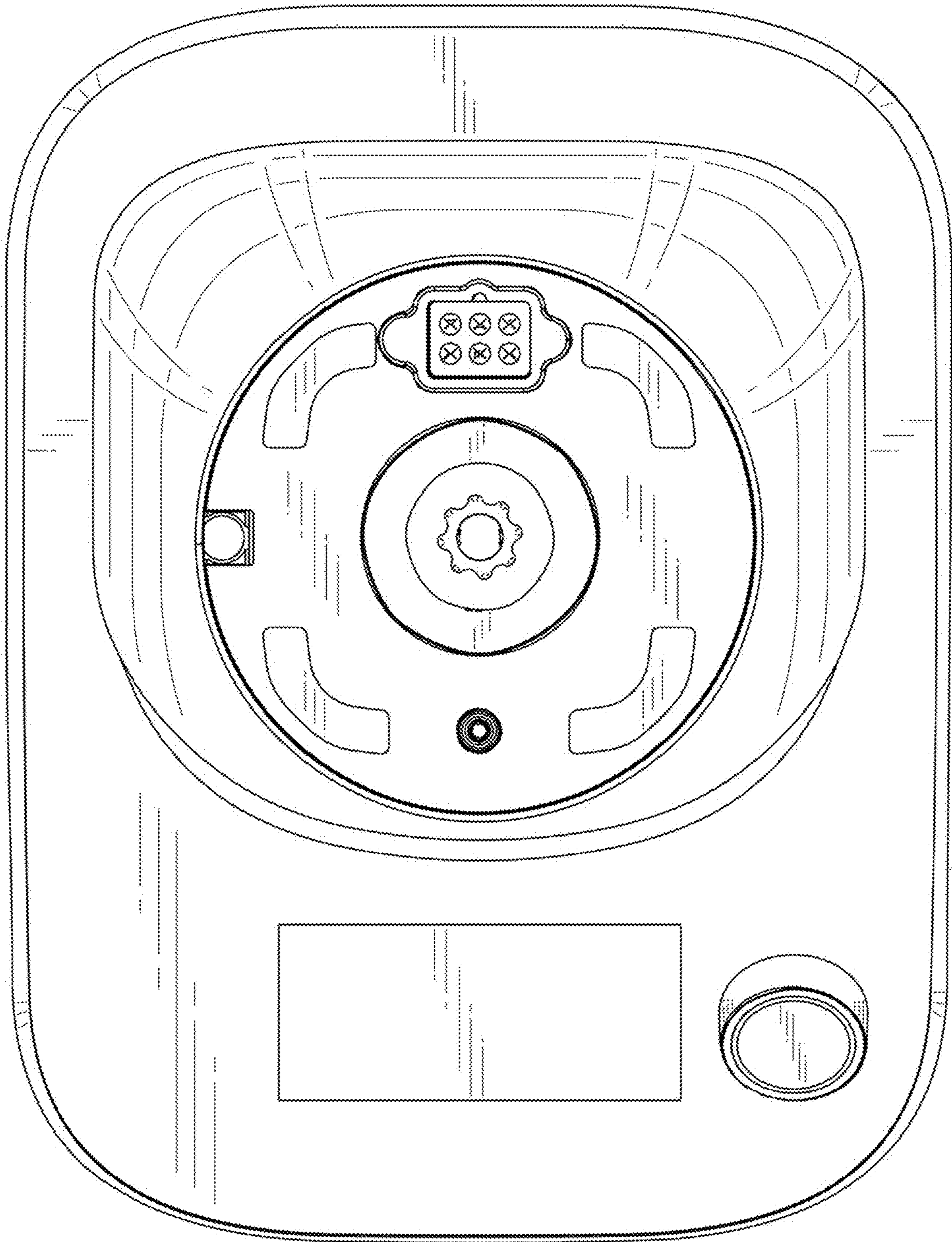




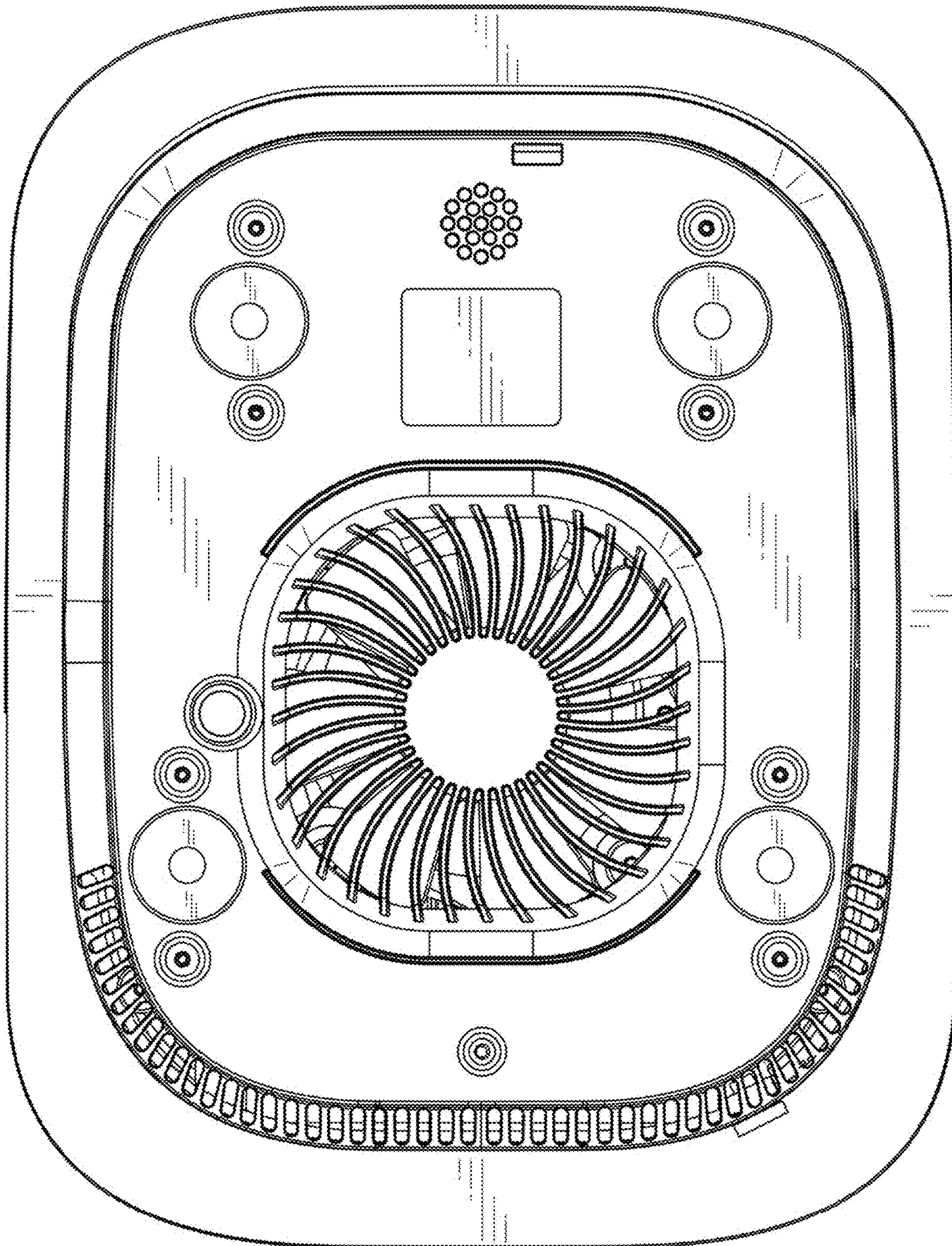
2.4



2.5

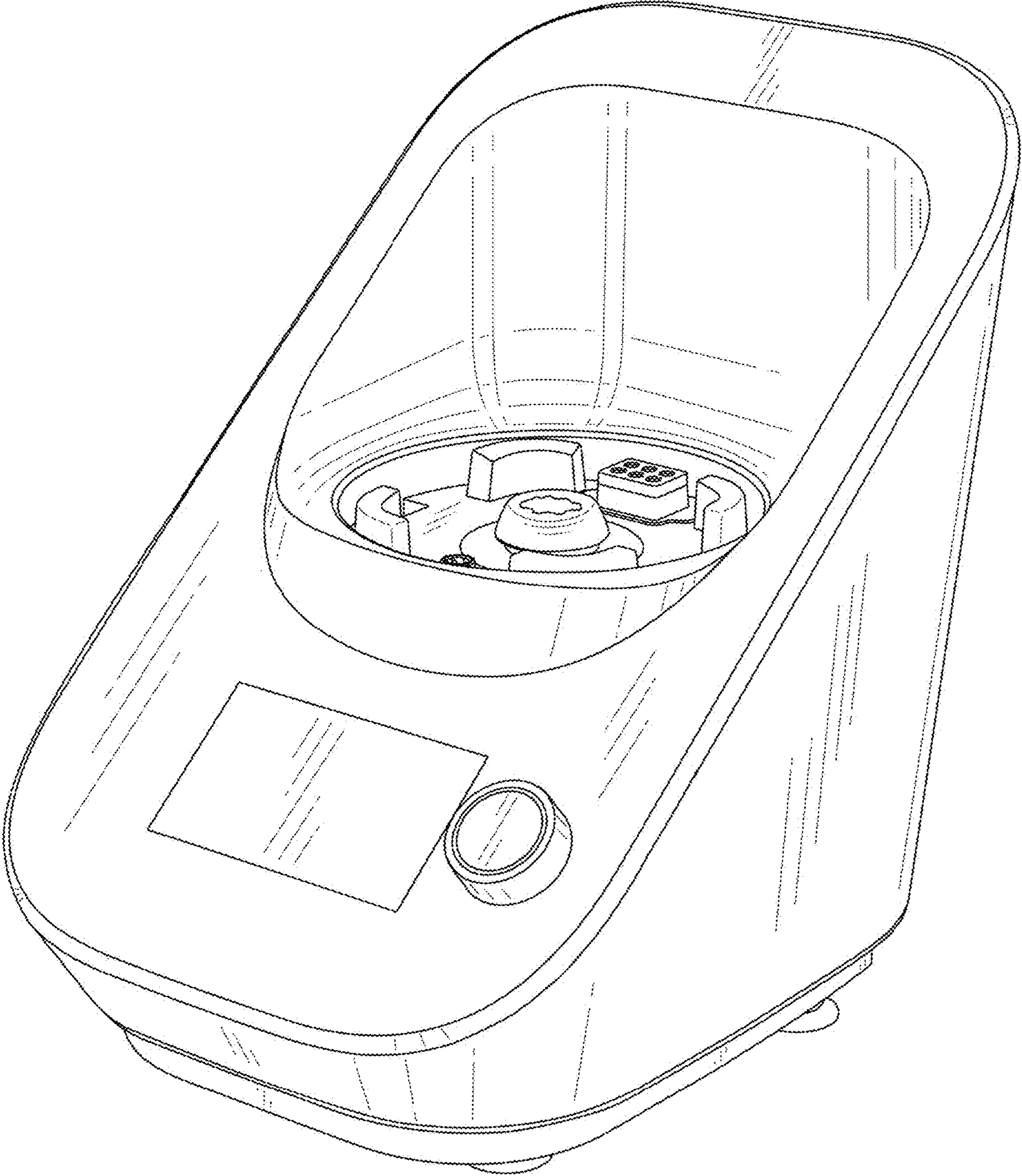


2.6





2.7



2.8

