



US00D925272S

(12) **United States Design Patent** (10) **Patent No.:** **US D925,272 S**  
**McConnell et al.** (45) **Date of Patent:** **\*\* Jul. 20, 2021**

(54) **HANDHELD BLENDER**

(56) **References Cited**

(71) Applicant: **WHIRLPOOL CORPORATION**,  
Benton Harbor, MI (US)

U.S. PATENT DOCUMENTS

(72) Inventors: **John W. McConnell**, St. Joseph, MI  
(US); **Yifan Wang**, St. Joseph, MI  
(US); **Wenkai Wu**, Aurora, IL (US)

|            |         |               |
|------------|---------|---------------|
| D308,001 S | 5/1990  | Ricard        |
| D327,603 S | 7/1992  | Van Asten     |
| D345,076 S | 3/1994  | Saltet        |
| D348,587 S | 7/1994  | Saltet        |
| D358,293 S | 5/1995  | Sebastia      |
| D361,241 S | 8/1995  | Littmann      |
| D447,380 S | 9/2001  | Feil          |
| D456,206 S | 4/2002  | Feil          |
| D485,729 S | 1/2004  | Patton et al. |
| D506,102 S | 6/2005  | Ikegaki       |
| D510,837 S | 10/2005 | Lloyd et al.  |
| D534,032 S | 12/2006 | Lloyd         |
| D614,438 S | 4/2010  | Fukasawa      |
| D623,009 S | 9/2010  | Bodum         |

(73) Assignee: **Whirlpool Corporation**, Benton  
Harbor, MI (US)

(\*\*) Term: **15 Years**

(21) Appl. No.: **29/764,246**

(22) Filed: **Dec. 29, 2020**

(Continued)

**Related U.S. Application Data**

(63) Continuation of application No. 29/741,533, filed on  
Jul. 14, 2020, now Pat. No. Des. 909,119, which is a  
continuation of application No. 29/682,096, filed on  
Mar. 1, 2019, now Pat. No. Des. 891,855.

(51) **LOC (13) Cl.** ..... **31-00**

(52) **U.S. Cl.**  
USPC ..... **D7/380**; D7/376; D7/379

(58) **Field of Classification Search**

USPC ..... D7/372, 376-386, 412-413, 602, 629,  
D7/665-666, 669, 679, 693-694  
CPC .... A21C 1/02; A21C 1/04; A23N 1/00; A23N  
1/02; A47J 43/04; A47J 43/25; A47J  
43/27; A47J 43/042; A47J 43/044; A47J  
43/046; A47J 43/075; A47J 43/0722;  
A47J 43/0727; B01F 3/00; B01F 3/0807;  
B01F 3/0853; B01F 13/0059; B01F  
13/0064; B02C 1/08; B02C 2/04; B02C  
4/42; B02C 4/142; B02C 4/143; B02C  
4/423; B02C 13/1835; B28C 5/10; B28C  
5/12; B28C 5/14; B28C 5/16

See application file for complete search history.

OTHER PUBLICATIONS

Immersion Hand Blender, OBERLY. Date First Available on Amazon.  
com Apr. 10, 2020 [https://www.amazon.com/dp/B086YHCTCW/](https://www.amazon.com/dp/B086YHCTCW/ref)  
ref (Year: 2020).\*

*Primary Examiner* — Ricky Pham

(74) *Attorney, Agent, or Firm* — Price Heneveld LLP

(57) **CLAIM**

The ornamental design for a handheld blender, as shown and  
described.

**DESCRIPTION**

FIG. 1 is a perspective view of a handheld blender according  
to the design;

FIG. 2 is a front elevation view thereof;

FIG. 3 is a back elevation view thereof;

FIG. 4 is a right side elevation view thereof;

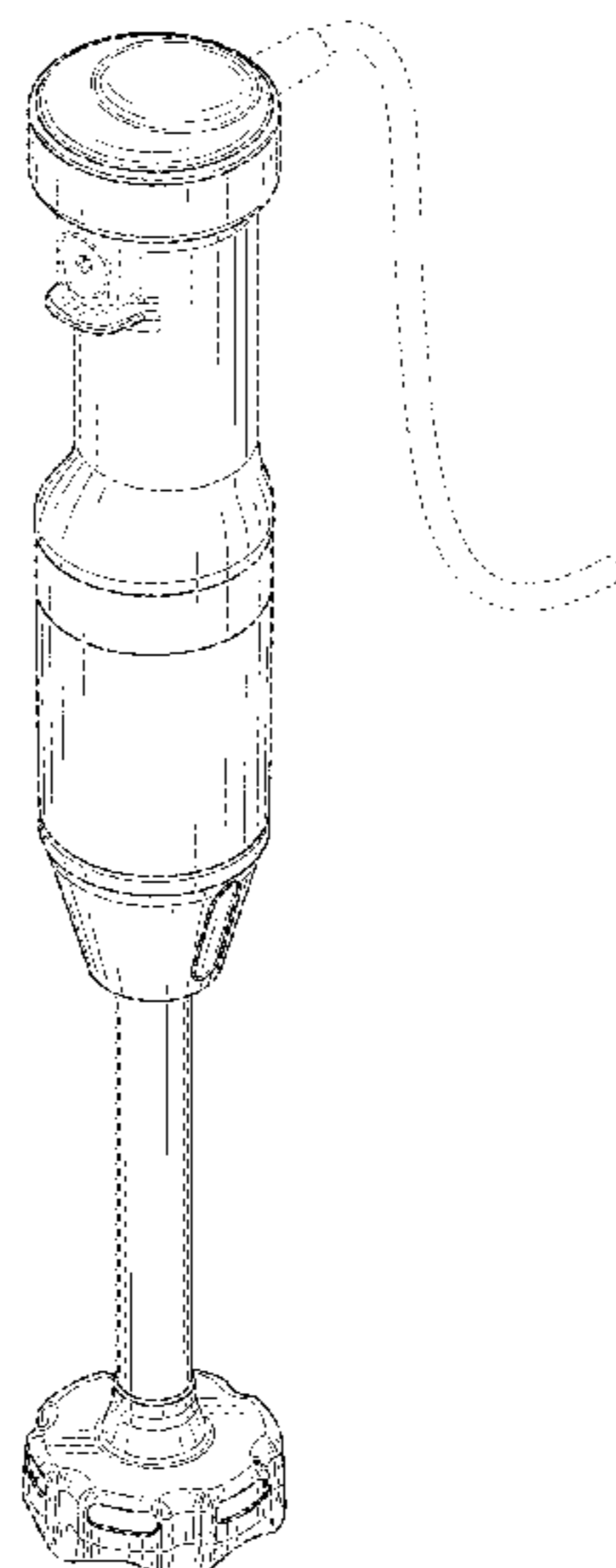
FIG. 5 is a left side elevation view thereof;

FIG. 6 is a top plan view thereof; and,

FIG. 7 is a bottom plan view thereof.

The portions of the article shown in broken line form no part  
of the claimed design.

**1 Claim, 5 Drawing Sheets**



(56)

References Cited

U.S. PATENT DOCUMENTS

|                 |         |                     |        |
|-----------------|---------|---------------------|--------|
| D638,656 S      | 5/2011  | Brinckerhoff et al. |        |
| D644,479 S      | 9/2011  | Lownds et al.       |        |
| D649,394 S      | 11/2011 | Grabes et al.       |        |
| D651,041 S      | 12/2011 | Bachmann et al.     |        |
| D651,846 S *    | 1/2012  | Roseby .....        | D7/380 |
| D662,765 S      | 7/2012  | Grabes et al.       |        |
| D663,573 S *    | 7/2012  | Nordwall .....      | D7/380 |
| D681,391 S      | 5/2013  | Agren               |        |
| D691,412 S      | 10/2013 | Ragot               |        |
| D695,565 S      | 12/2013 | Verbrugge et al.    |        |
| D703,481 S      | 4/2014  | Lownds              |        |
| D724,373 S      | 3/2015  | Jl                  |        |
| D724,374 S      | 3/2015  | Sanguinetti         |        |
| D726,496 S      | 4/2015  | Vu et al.           |        |
| D731,236 S      | 6/2015  | Yin                 |        |
| D751,858 S      | 3/2016  | Zhang               |        |
| D756,166 S      | 5/2016  | Lee et al.          |        |
| D769,062 S *    | 10/2016 | McConnell .....     | D7/380 |
| D796,255 S      | 9/2017  | Vu et al.           |        |
| D798,652 S *    | 10/2017 | Muller .....        | D7/380 |
| D805,345 S      | 12/2017 | Ho et al.           |        |
| D808,211 S      | 1/2018  | Vu et al.           |        |
| D809,331 S      | 2/2018  | Blazquez et al.     |        |
| D817,081 S      | 5/2018  | Verbrugge           |        |
| D846,340 S      | 4/2019  | Gan                 |        |
| D848,205 S      | 5/2019  | Mullen              |        |
| D886,512 S      | 6/2020  | Thun et al.         |        |
| D891,855 S      | 8/2020  | McConnell et al.    |        |
| D909,119 S *    | 2/2021  | McConnell .....     | D7/380 |
| D911,095 S *    | 2/2021  | Koszylko .....      | D7/379 |
| 2005/0078549 A1 | 4/2005  | Hamelin             |        |
| 2015/0009776 A1 | 1/2015  | Cheung et al.       |        |

\* cited by examiner

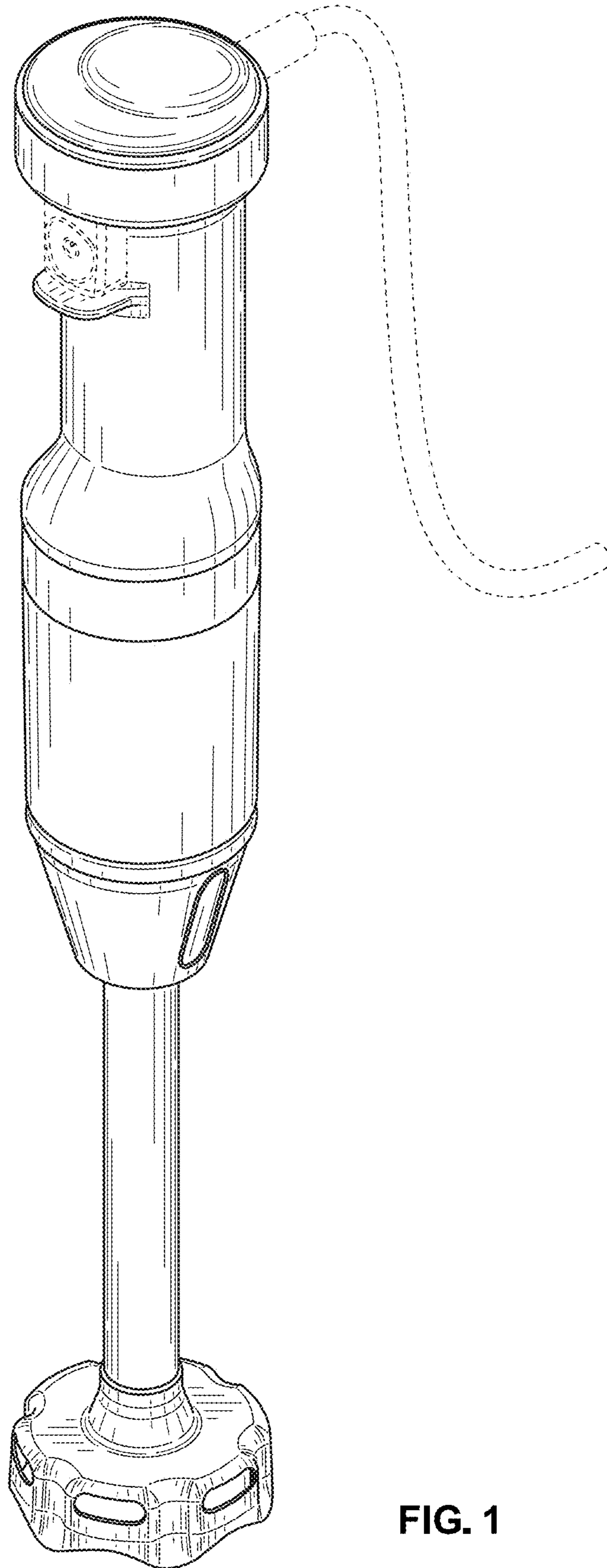


FIG. 1

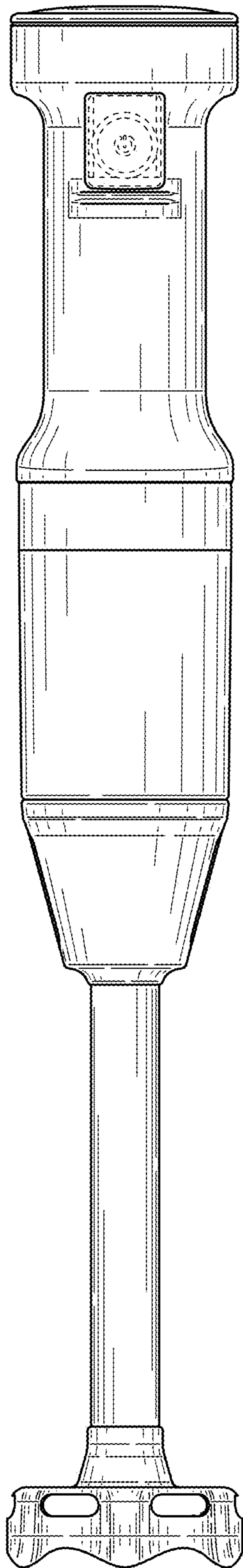


FIG. 2

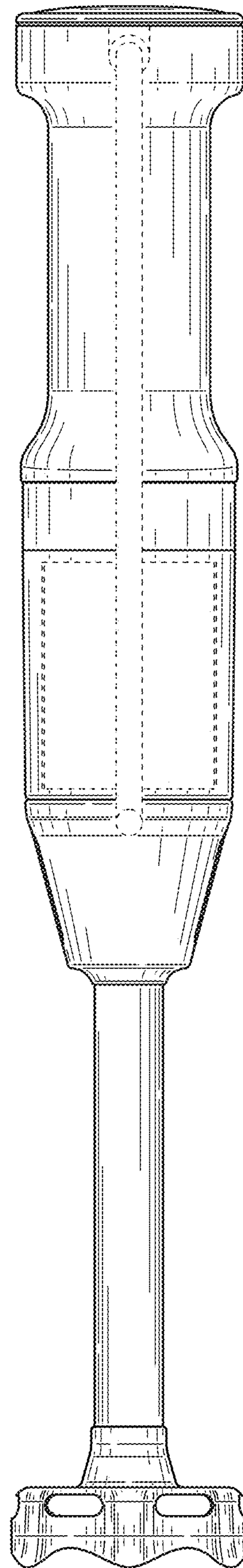


FIG. 3

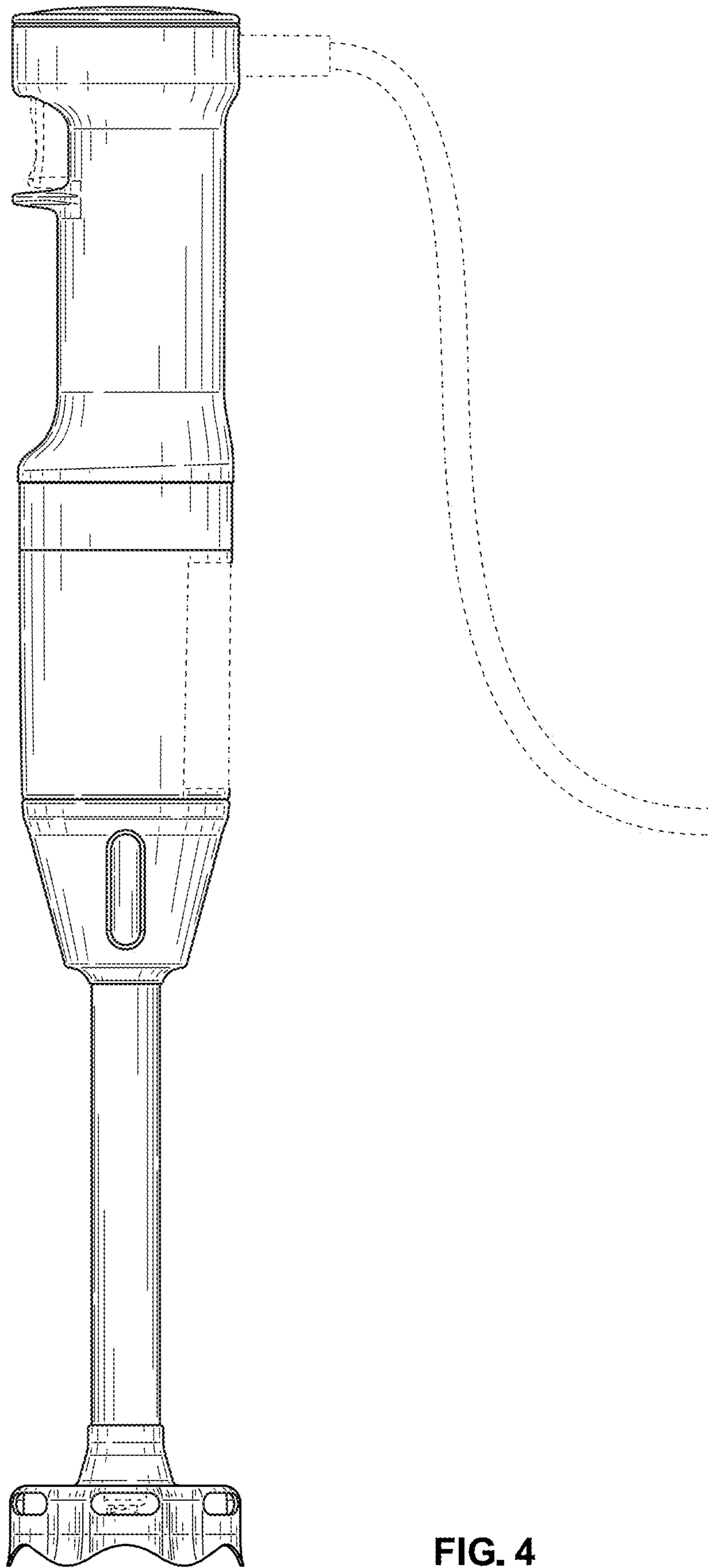


FIG. 4

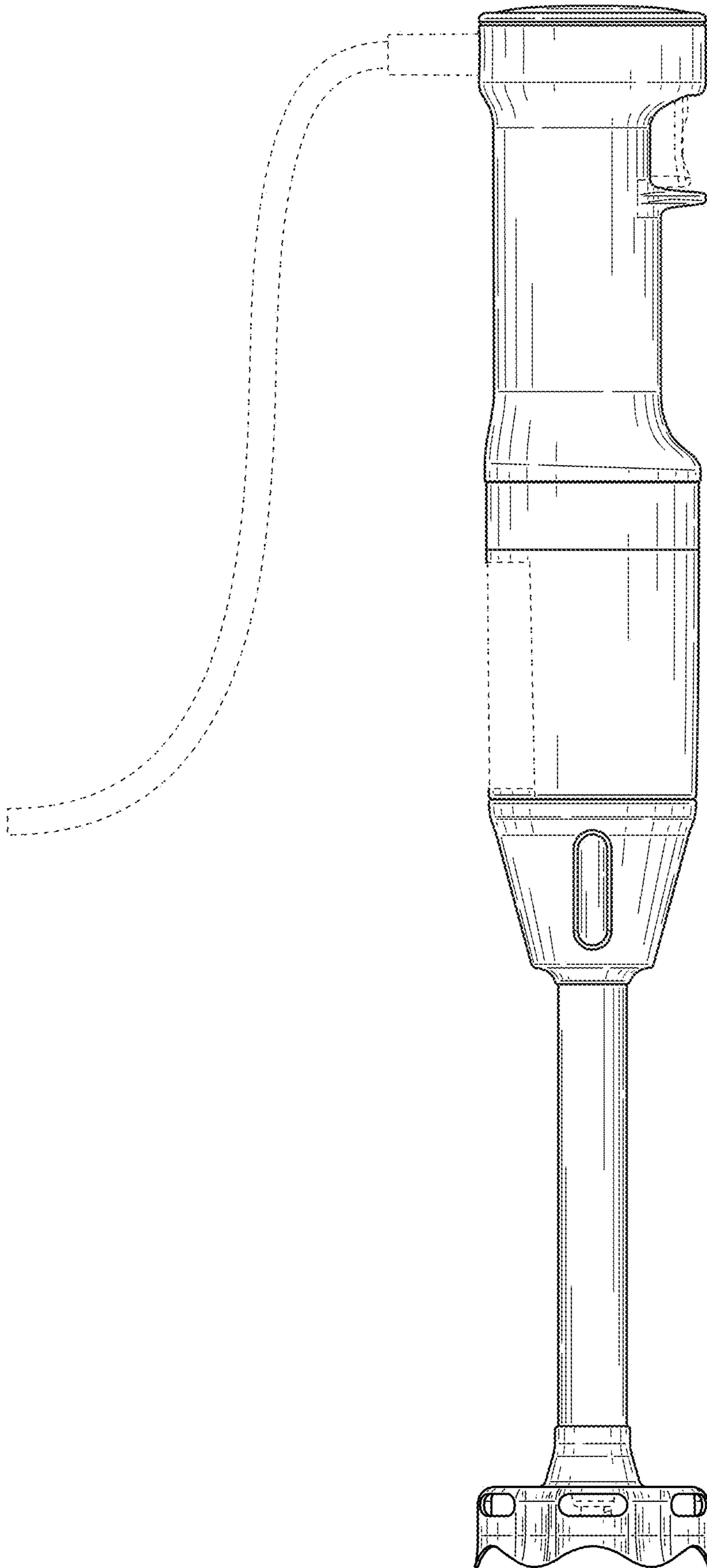


FIG. 5

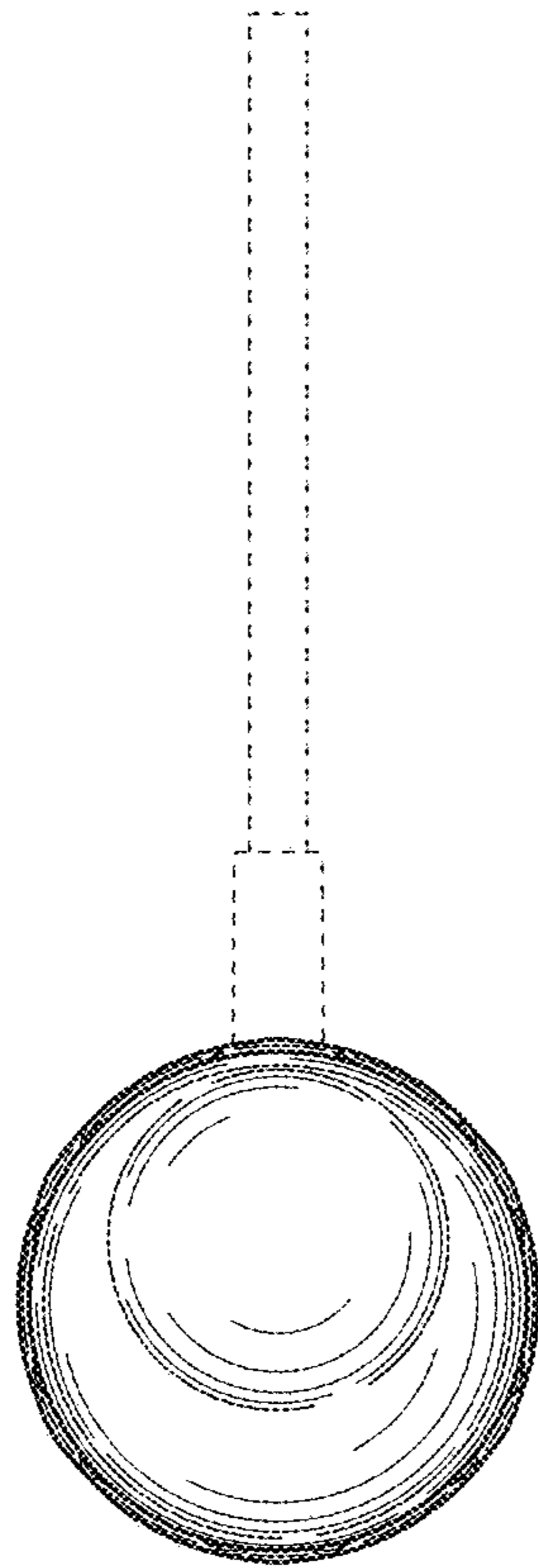


FIG. 6

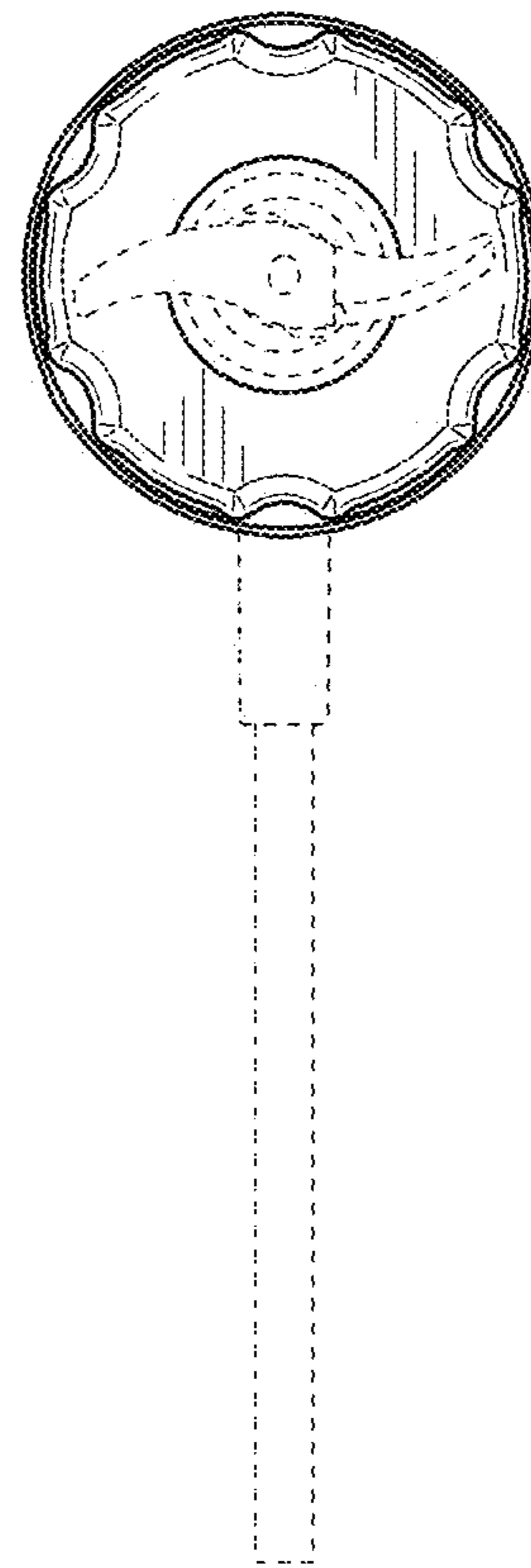


FIG. 7