



US00D925271S

(12) **United States Design Patent** (10) **Patent No.:** **US D925,271 S**
Palladino et al. (45) **Date of Patent:** **** Jul. 20, 2021**

(54) **BLENDER**
(71) Applicant: **SHARKNINJA OPERATING LLC**,
Needham, MA (US)
(72) Inventors: **Gary V. Palladino**, Roslindale, MA
(US); **Joyce Tu**, Arlington, MA (US)
(73) Assignee: **SHARKNINJA OPERATING LLC**,
Needham, MA (US)

D617,145 S 6/2010 Picozza et al.
D647,367 S * 10/2011 Audette D7/413
D660,642 S 5/2012 Boozer et al.
D668,100 S * 10/2012 Palermo D7/386
D690,152 S 9/2013 Palermo et al.
D702,078 S 4/2014 Coakley et al.
D705,606 S * 5/2014 Coakley D7/413
D730,682 S * 6/2015 Tu D7/386
D765,465 S * 9/2016 Du D7/386
D784,761 S * 4/2017 Tu D7/413

(Continued)

(**) Term: **15 Years**

OTHER PUBLICATIONS

(21) Appl. No.: **29/723,585**
(22) Filed: **Feb. 7, 2020**
(51) **LOC (13) Cl.** **31-00**
(52) **U.S. Cl.**
USPC **D7/378; D7/376; D7/386; D7/412;**
D7/413

U.S. Appl. No. 29/727,180, filed Mar. 9, 2020; Restriction Requirement dated Feb. 17, 2021; 7 pages.

Primary Examiner — Ricky Pham
(74) *Attorney, Agent, or Firm* — Burns & Levinson, LLP;
Joseph M. Maraia

(58) **Field of Classification Search**
USPC D7/372, 374, 376–386, 412–413, 602,
D7/607, 629, 665–666, 669, 679,
D7/693–694
CPC A21C 1/02; A21C 1/04; A23N 1/00; A23N
1/02; A47B 77/08; A47J 27/04; A47J
36/321; A47J 43/04; A47J 43/25; A47J
43/27; A47J 43/042; A47J 43/044; A47J
43/046; A47J 43/075; A47J 43/0716;
A47J 43/0722; A47J 43/0727; B01F 3/00;
B01F 3/0807; B01F 3/0853; B01F
11/0008; B01F 13/0059; B01F 13/0064;
B02C 1/08; B02C 2/04; B02C 4/42;
B02C 4/142; B02C 4/143; B02C 4/423;
B02C 13/1835; B28C 5/10; B28C 5/12;
B28C 5/14; B28C 5/16
See application file for complete search history.

(57) **CLAIM**

The ornamental design for a blender, as shown and described.

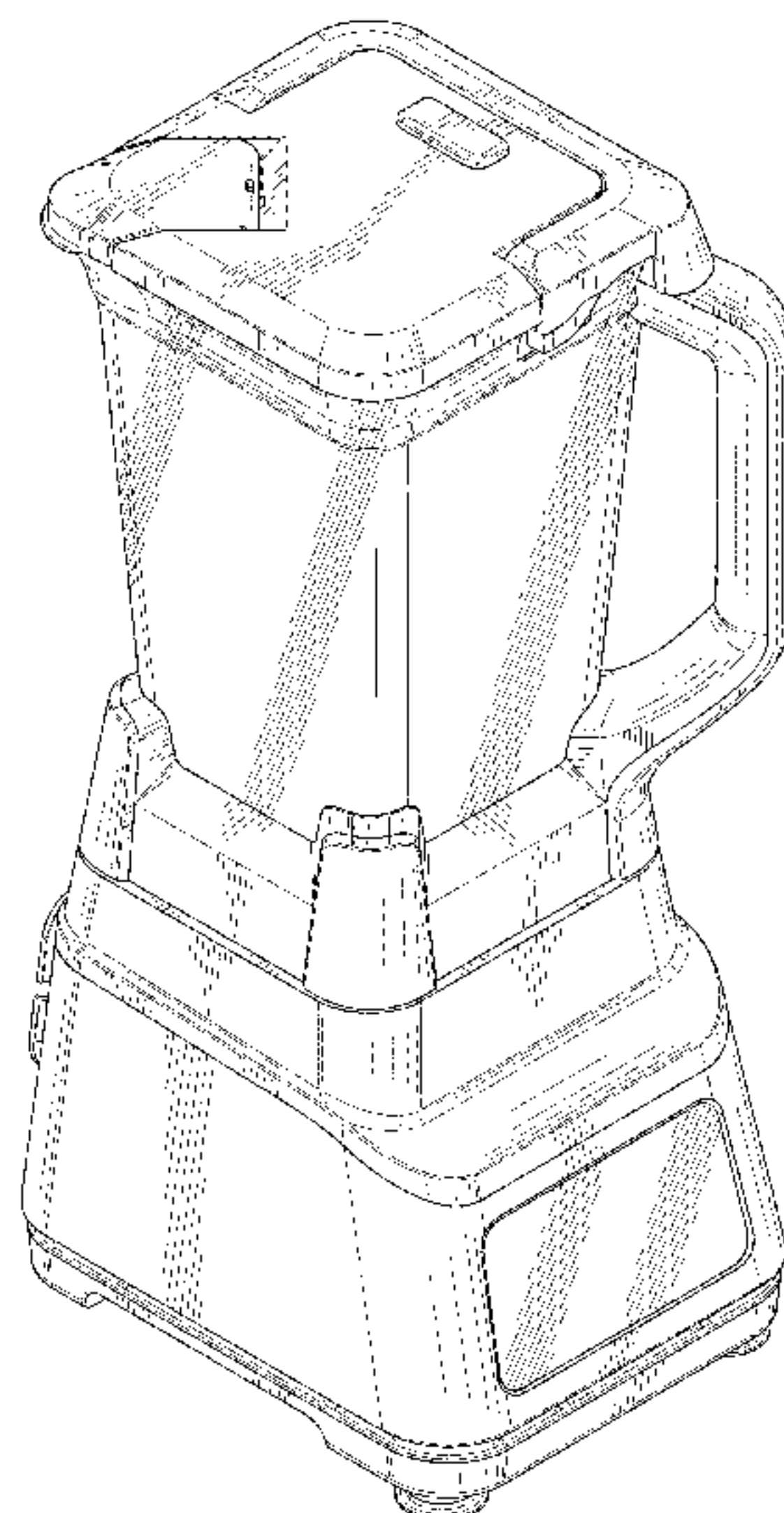
DESCRIPTION

FIG. 1 is a perspective view of a blender showing our new design;
FIG. 2 is a front view of the embodiment shown in FIG. 1;
FIG. 3 is a rear view of the embodiment shown in FIG. 1;
FIG. 4 is a side view of the embodiment shown in FIG. 1;
FIG. 5 is another side view of the embodiment shown in FIG. 1;
FIG. 6 is a top view of the embodiment shown in FIG. 1;
and,
FIG. 7 is a bottom view of the embodiment shown in FIG. 1.
The broken lines in the drawings are for illustrative purposes only and form no part of the claimed design.

(56) **References Cited**
U.S. PATENT DOCUMENTS

D242,208 S * 11/1976 Madl D7/386
D605,462 S 12/2009 Picozza et al.

1 Claim, 7 Drawing Sheets



(56)

References Cited

U.S. PATENT DOCUMENTS

D786,615 S	5/2017	Tsai	
D808,719 S *	1/2018	Coakley	D7/413
D817,082 S *	5/2018	Lee	D7/386
D832,029 S *	10/2018	Gee, II	D7/386
D846,338 S *	4/2019	Smith	D7/378
D846,339 S *	4/2019	Smith	D7/378
D899,844 S	10/2020	Ye	
D905,504 S *	12/2020	Upston	D7/413

* cited by examiner

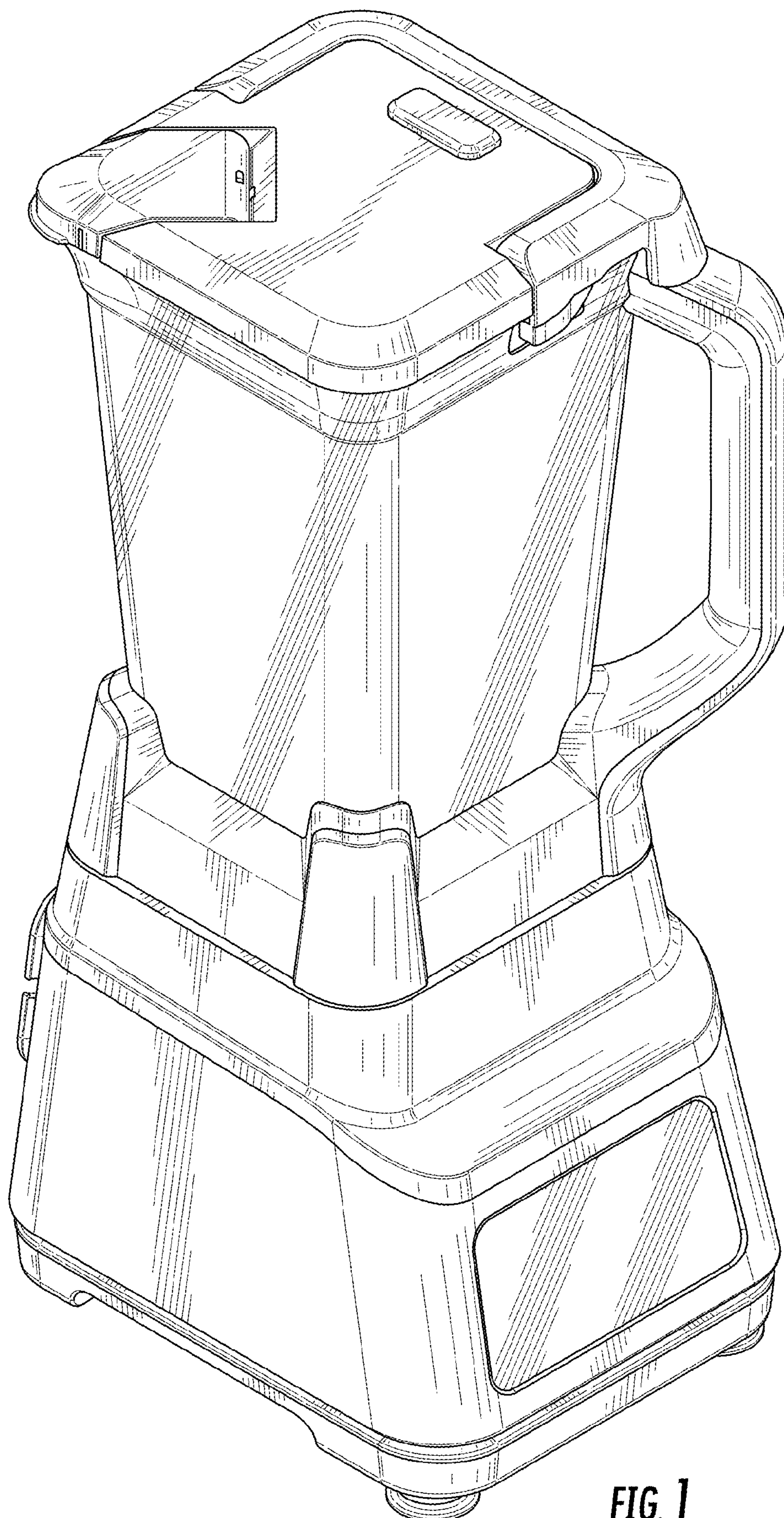


FIG. 1

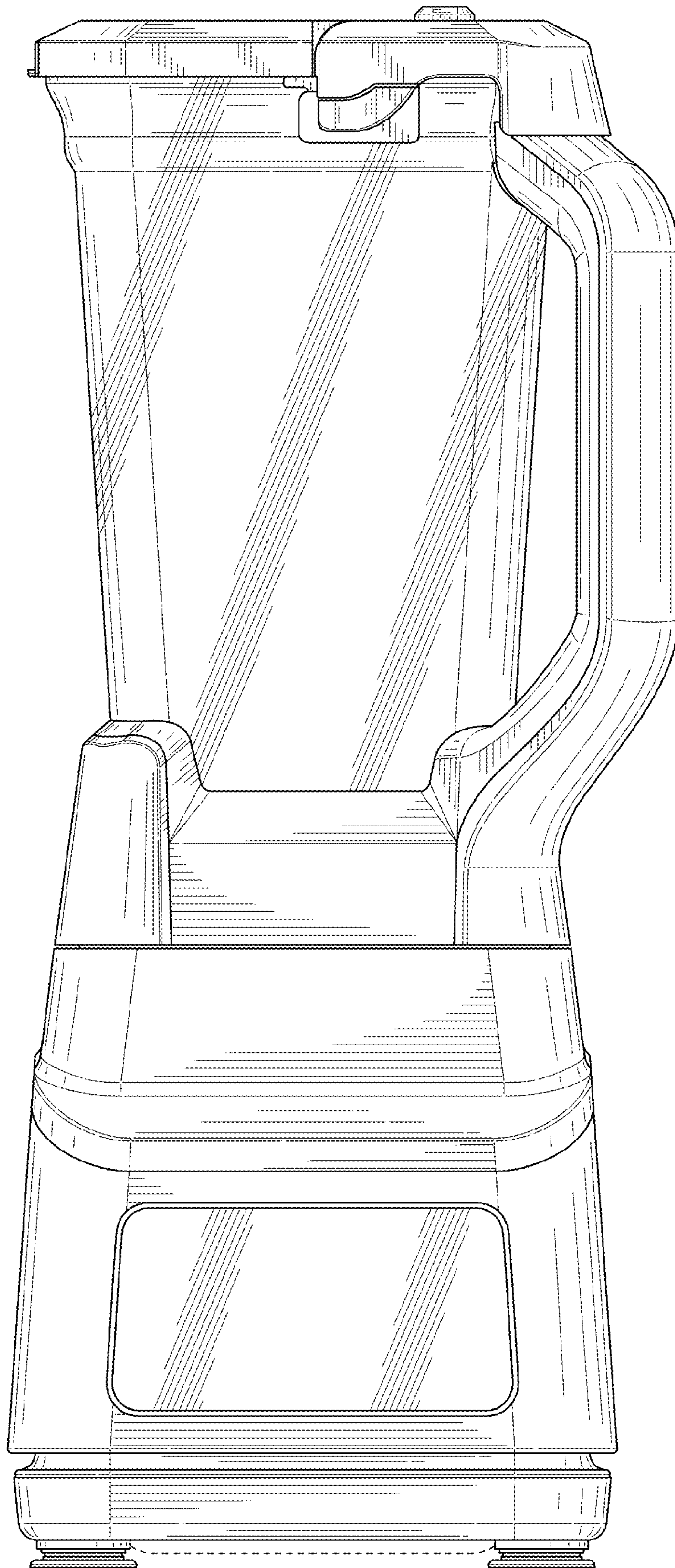


FIG. 2

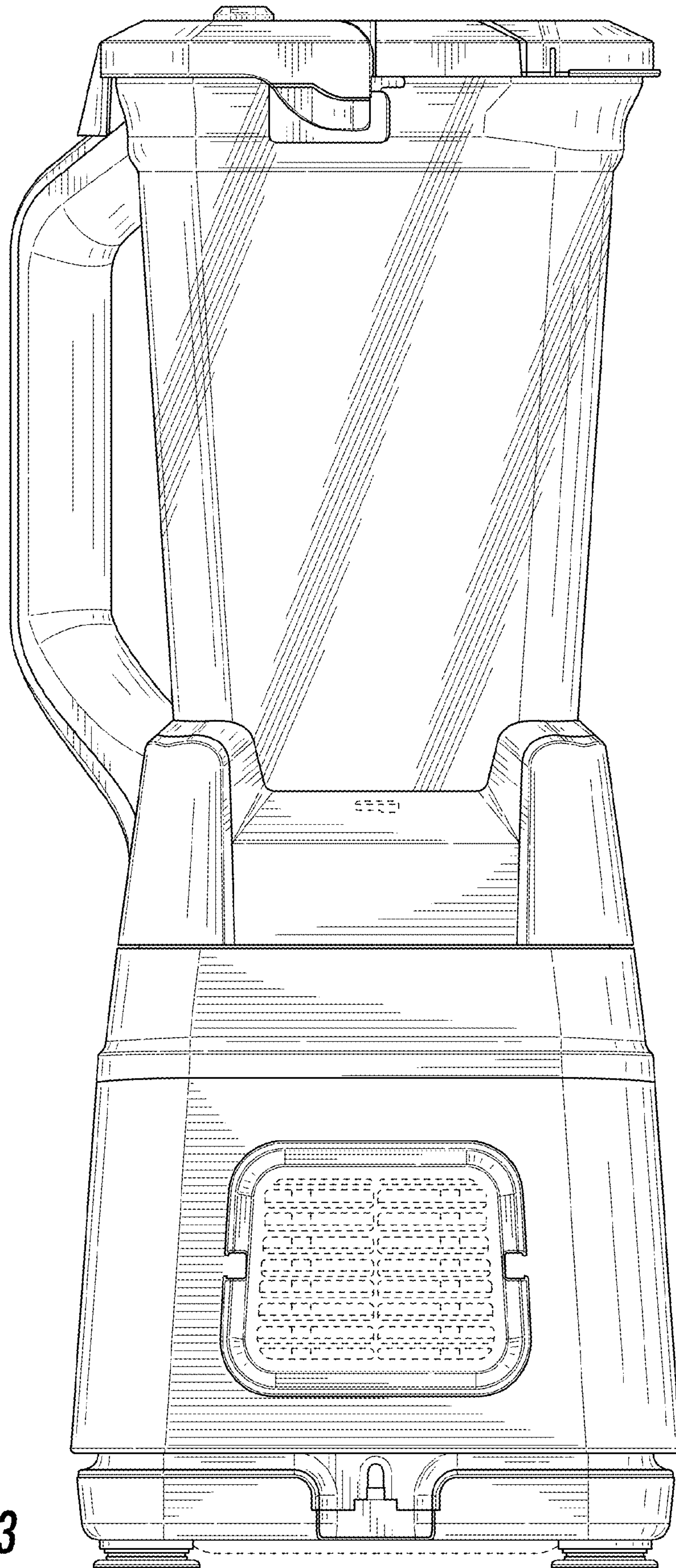


FIG. 3

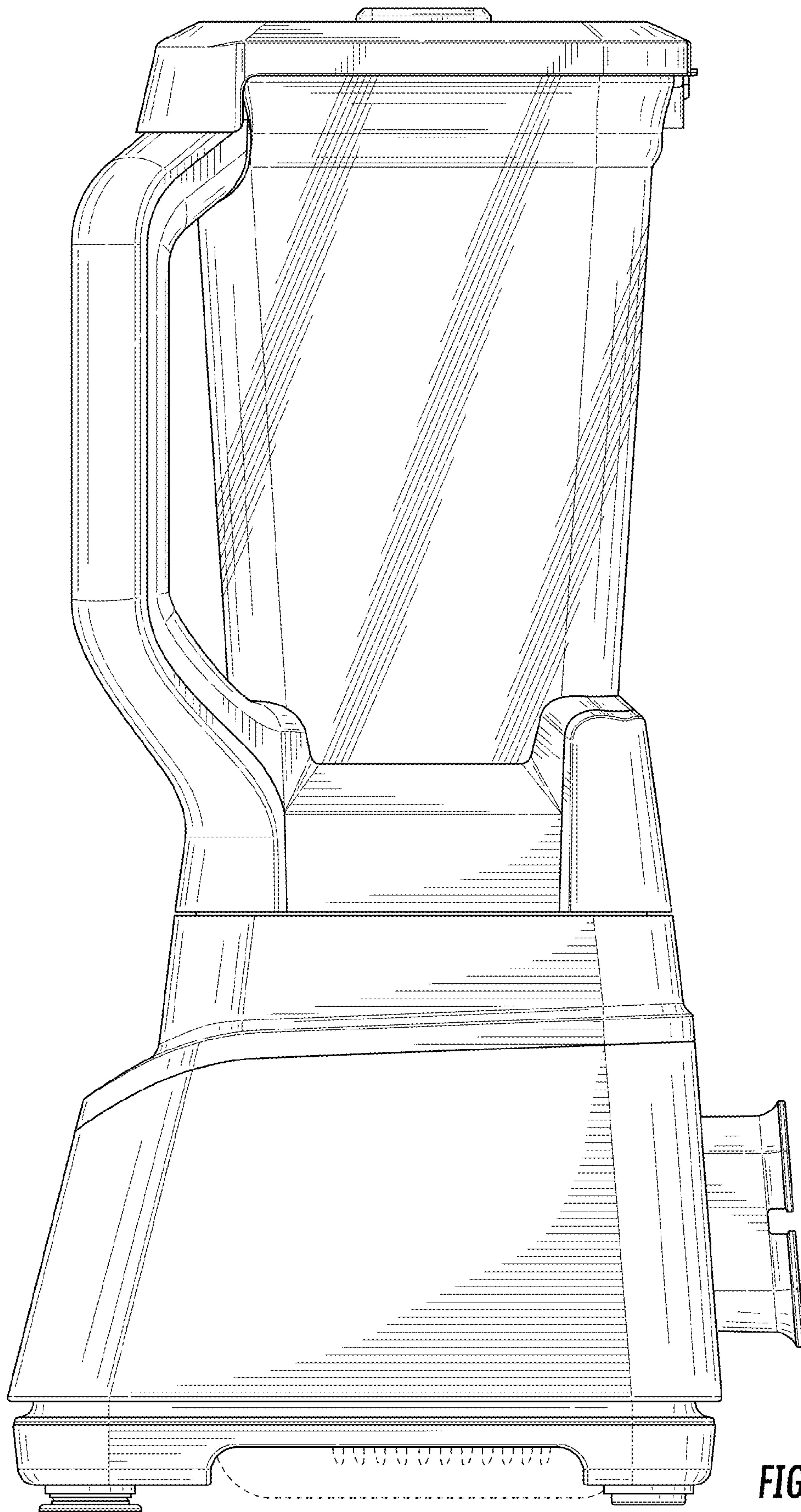


FIG. 4

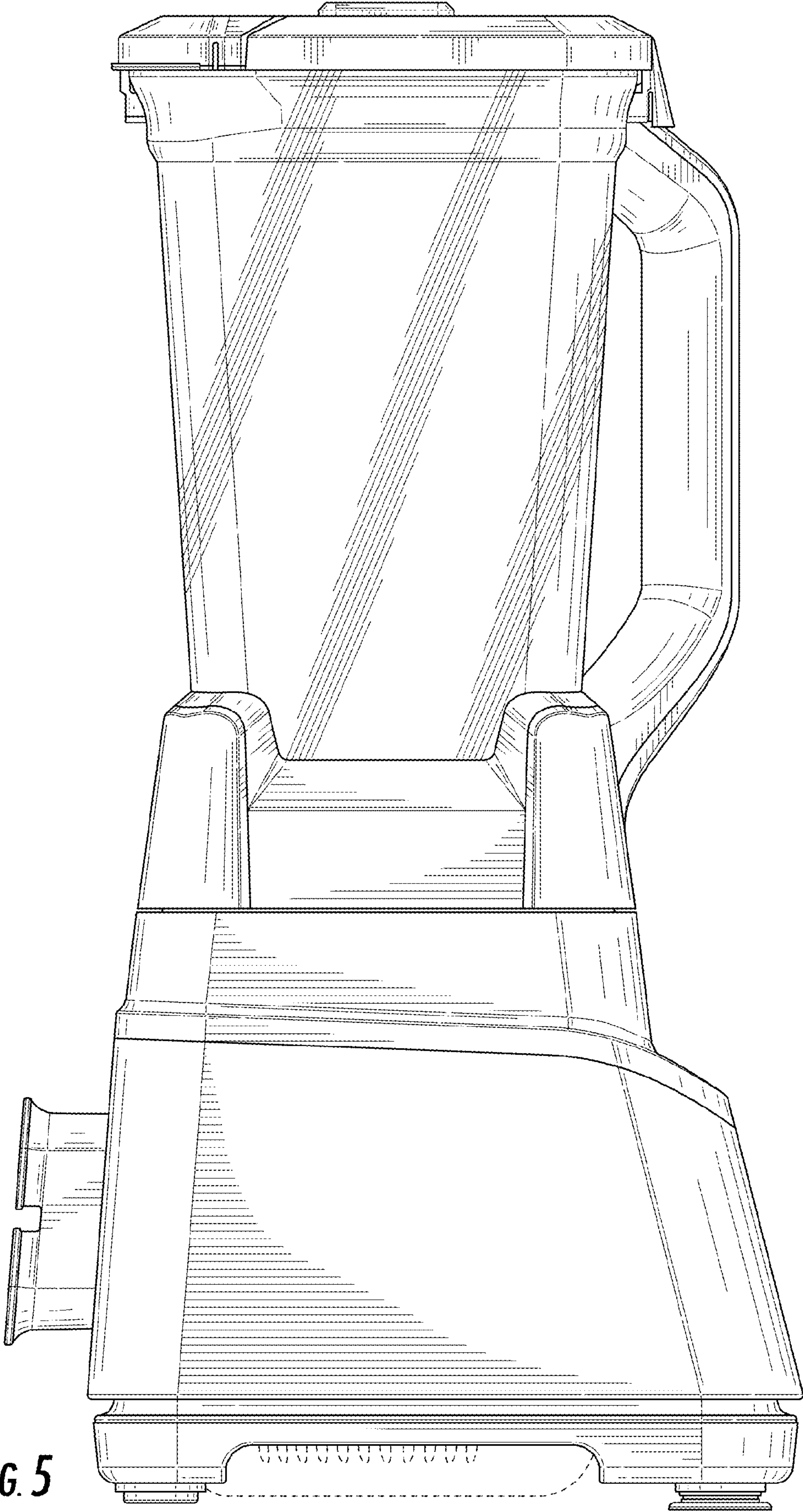


FIG. 5

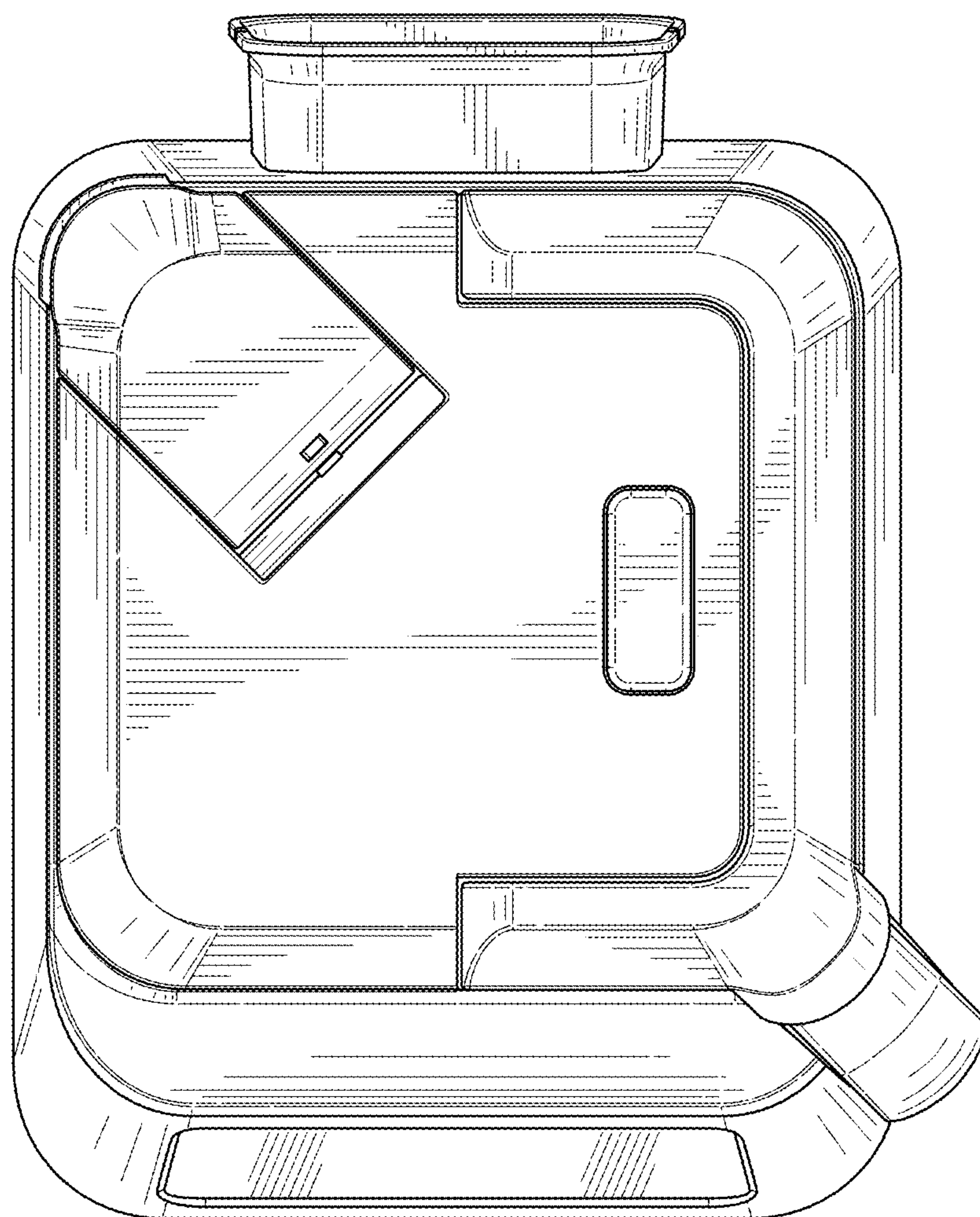


FIG. 6

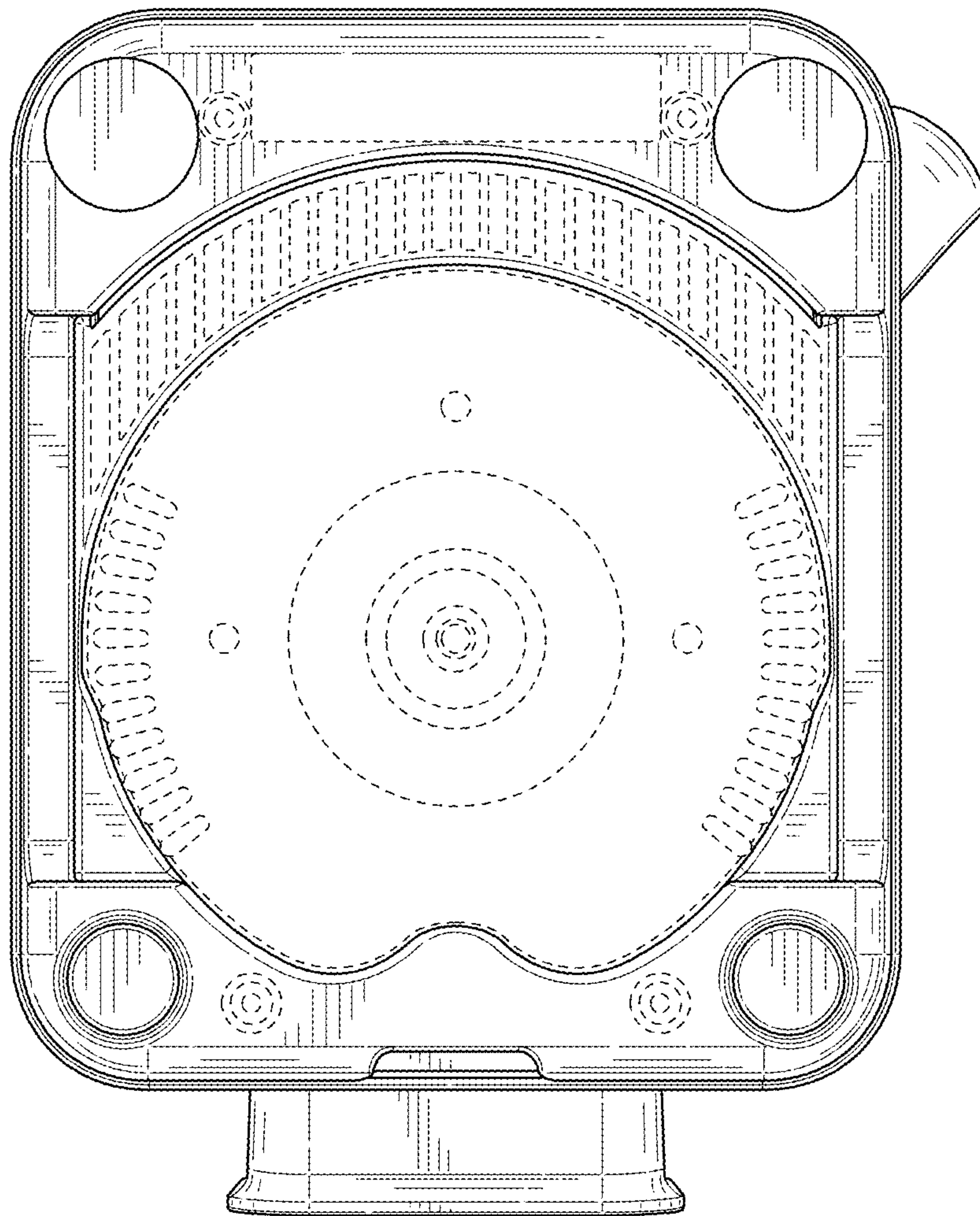


FIG. 7