



US00D925269S

(12) **United States Design Patent**
Thun et al.

(10) **Patent No.:** **US D925,269 S**

(45) **Date of Patent:** **** Jul. 20, 2021**

(54) **BLENDER**

(71) Applicant: **Zwilling J.A. Henckels AG**, Solingen (DE)

(72) Inventors: **Matteo Thun**, Mailand (IT); **Antonio Rodriguez**, Mailand (IT)

(73) Assignee: **Zwilling J.A. Henckels AG**, Solingen (DE)

(**) Term: **15 Years**

(21) Appl. No.: **29/682,553**

(22) Filed: **Mar. 6, 2019**

(30) **Foreign Application Priority Data**

Sep. 11, 2018 (EM) 005636552-0008

Sep. 11, 2018 (EM) 005636552-0009

(51) **LOC (13) Cl.** **31-00**

(52) **U.S. Cl.**
USPC **D7/378**

(58) **Field of Classification Search**
USPC D7/306, 309, 372, 374, 376, 377, 378,
D7/379, 380, 381, 383, 384, 385, 386,
D7/412, 413, 598, 694, 669, 679
CPC .. A47J 43/04; A47J 43/25; A47J 43/27; A47J
43/042; A47J 43/044; A47J 43/046; A47J
43/075; A47J 43/0722; A47J 43/0727;
A47J 42/40; A21C 1/02; A21C 1/04;
A23G 9/045; A23N 1/00; A23N 1/02;
B01F 3/00; B01F 3/0807; B01F 3/0853;
B01F 13/0059; B01F 13/0064; B02C
1/08; B02C 2/04; B02C 4/42; B02C
4/142; B02C 4/143; B02C 4/423; B02C
13/1835; B28C 5/10; B28C 5/12; B28C
5/14; B28C 5/16

See application file for complete search history.

(56) **References Cited**

U.S. PATENT DOCUMENTS

D578,340 S * 10/2008 Picozza D7/378

D583,190 S * 12/2008 Christou D7/378

D616,244 S * 5/2010 Thai D7/378
D642,858 S * 8/2011 Lazzer D7/378
D755,004 S * 5/2016 Bock D7/386
D791,541 S * 7/2017 Stumph D7/413

(Continued)

OTHER PUBLICATIONS

Zwilling Enfinigy power Blender, announced Mar. 2020 [online],
retrieved Jul. 20, 2020, retrieved from internet, <https://www.zwilling.com/us/zwilling-enfinigy-power-blender-53100-000/53100-000-0.html#>.*

(Continued)

Primary Examiner — Dana K Weiland

Assistant Examiner — Messina L Smith

(74) *Attorney, Agent, or Firm* — Gregory L. Mayback;
Dickinson Wright PLLC

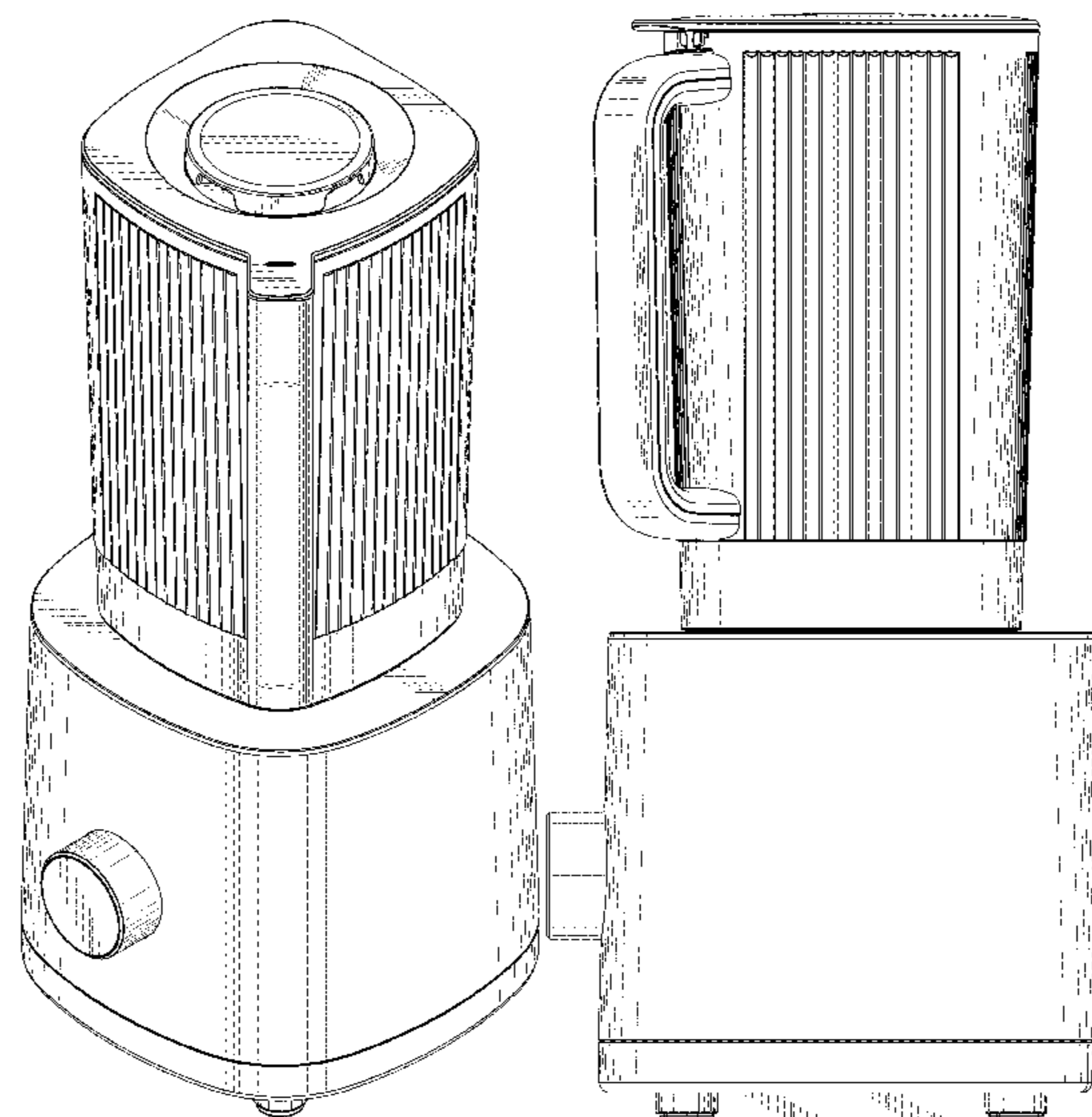
(57) **CLAIM**

The ornamental design for a blender, as shown and described.

DESCRIPTION

FIG. 1 is a perspective view of a blender showing our new design;
FIG. 2 is a top plan view thereof;
FIG. 3 is a left side elevation view thereof;
FIG. 4 is a front elevation view thereof;
FIG. 5 is a right side elevation view thereof;
FIG. 6 is a rear elevation view thereof;
FIG. 7 is a bottom plan view thereof;
FIG. 8 is an enlarged bottom perspective view of a portion of the blender;
FIG. 9 is an enlarged right side perspective view of a portion of the blender; and,
FIG. 10 is a right side perspective view of the blender.
The broken lines shown in the figures depict portions of the blender that form no part of the claimed design.

1 Claim, 9 Drawing Sheets



(56)

References Cited

U.S. PATENT DOCUMENTS

D801,109 S * 10/2017 Lee D7/386
D845,696 S * 4/2019 Ou D7/378
D851,982 S * 6/2019 DeLeo D7/359
D852,574 S * 7/2019 McConnell D7/378
D864,655 S * 10/2019 Brook D7/386
D885,117 S * 5/2020 Kim D7/378
2018/0361526 A1 * 12/2018 Spencer B24D 15/08
2019/0133378 A1 * 5/2019 Kim A47J 43/0716

OTHER PUBLICATIONS

Zwilling Enfinigy Kitchen Appliances, announced Apr. 8, 2020 [online], retrieved Jul. 20, 2020, retrieved from internet, <https://www.extrabux.com/en/deals/4250138>.*

Zwilling Enfinigy Power Blender, announced Mar. 15, 2020 [online], retrieved Jul. 20, 2020, retrieved from internet, <https://www.amazon.com/ZWILLING-53100-000-Enfinigy-Power-Blender/dp/B085XM1NLR>.*

* cited by examiner

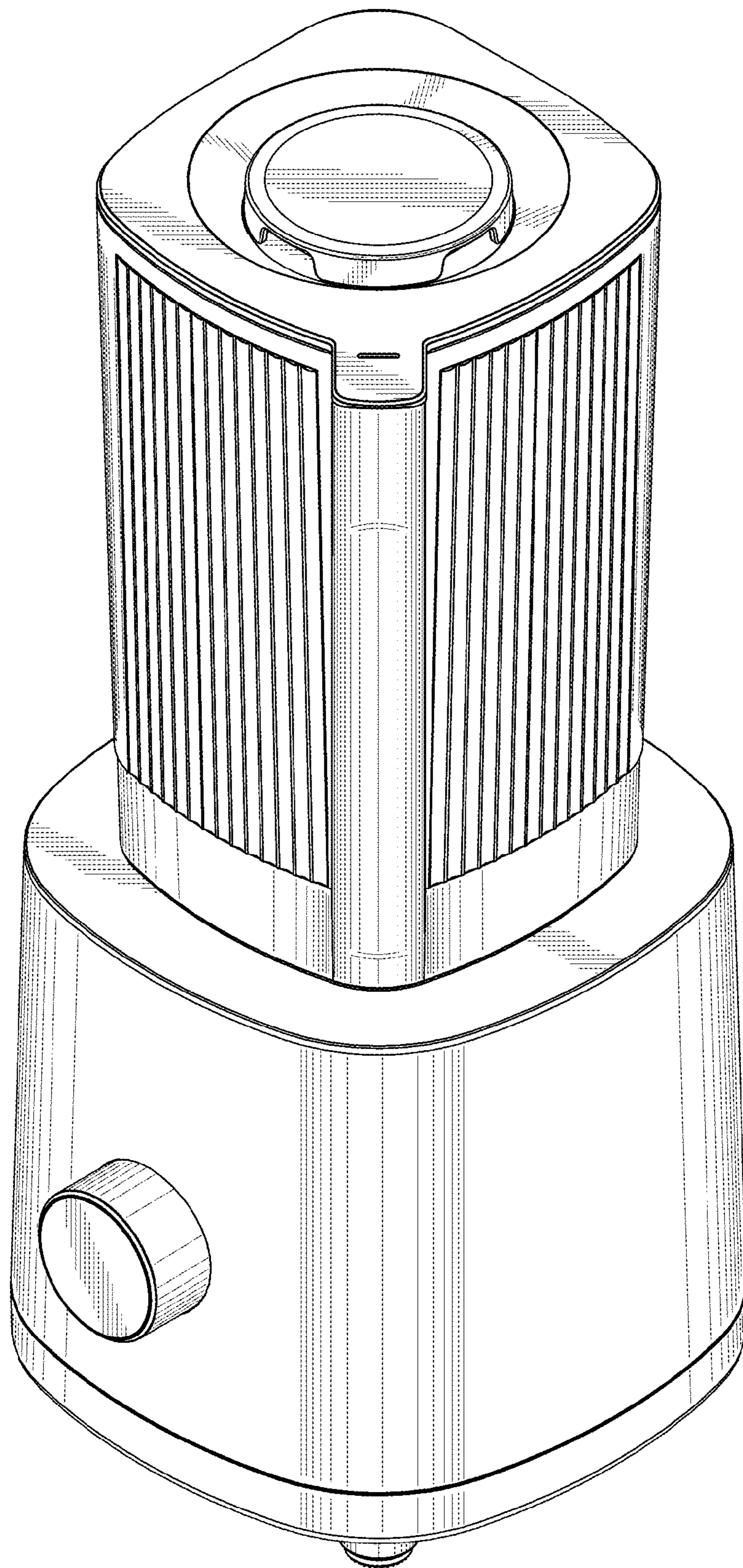


FIG. 1

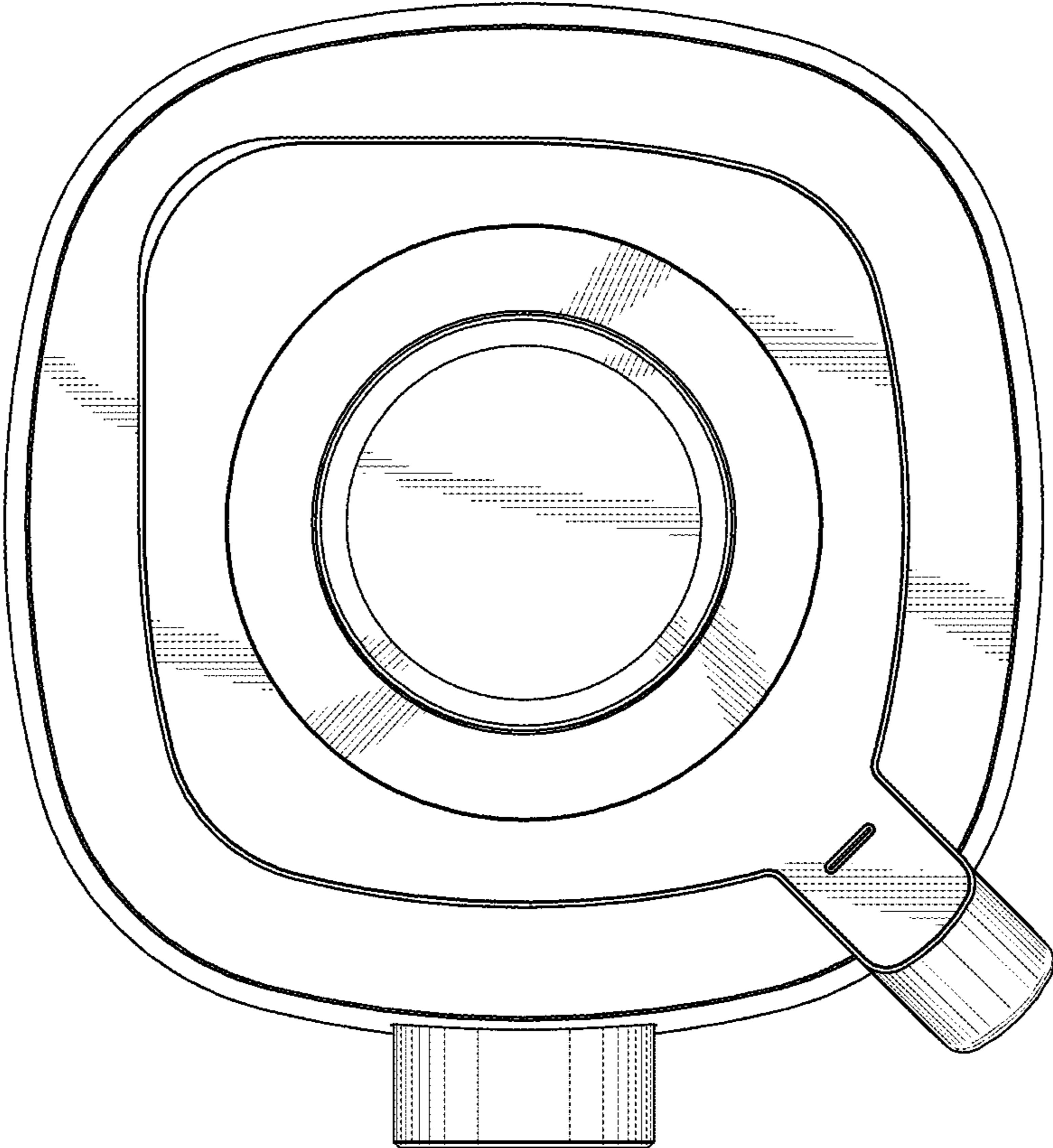


FIG. 2

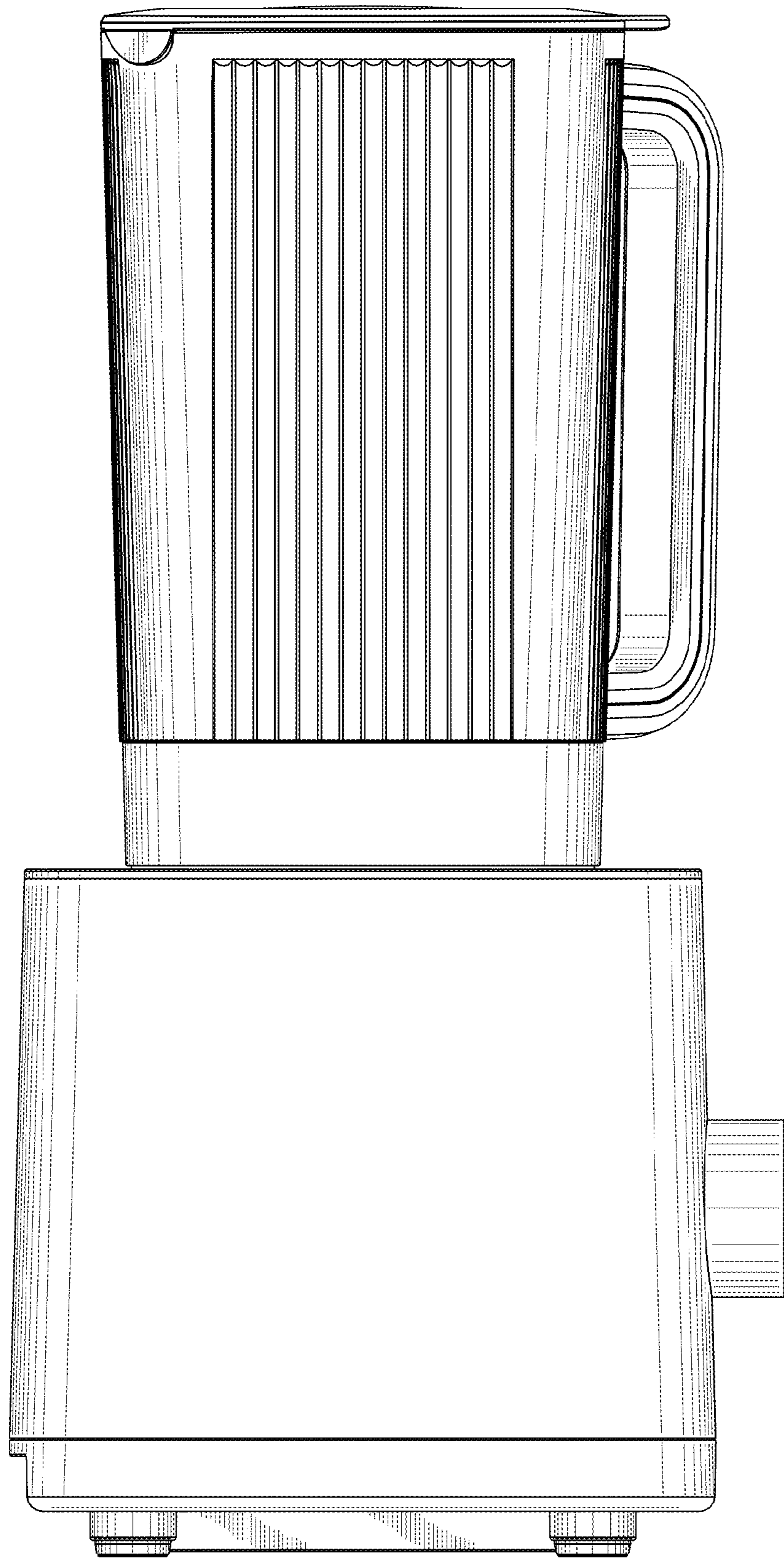


FIG. 3

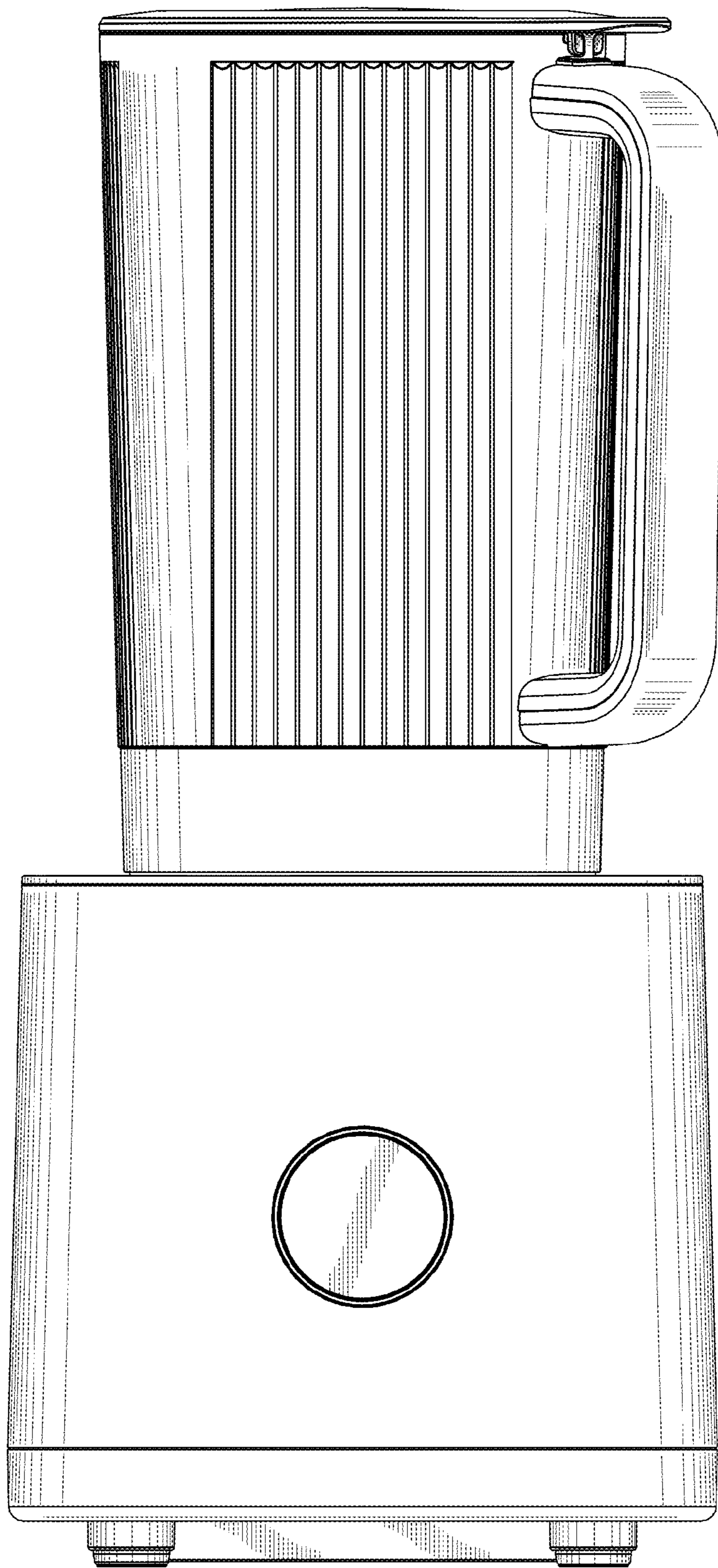


FIG. 4

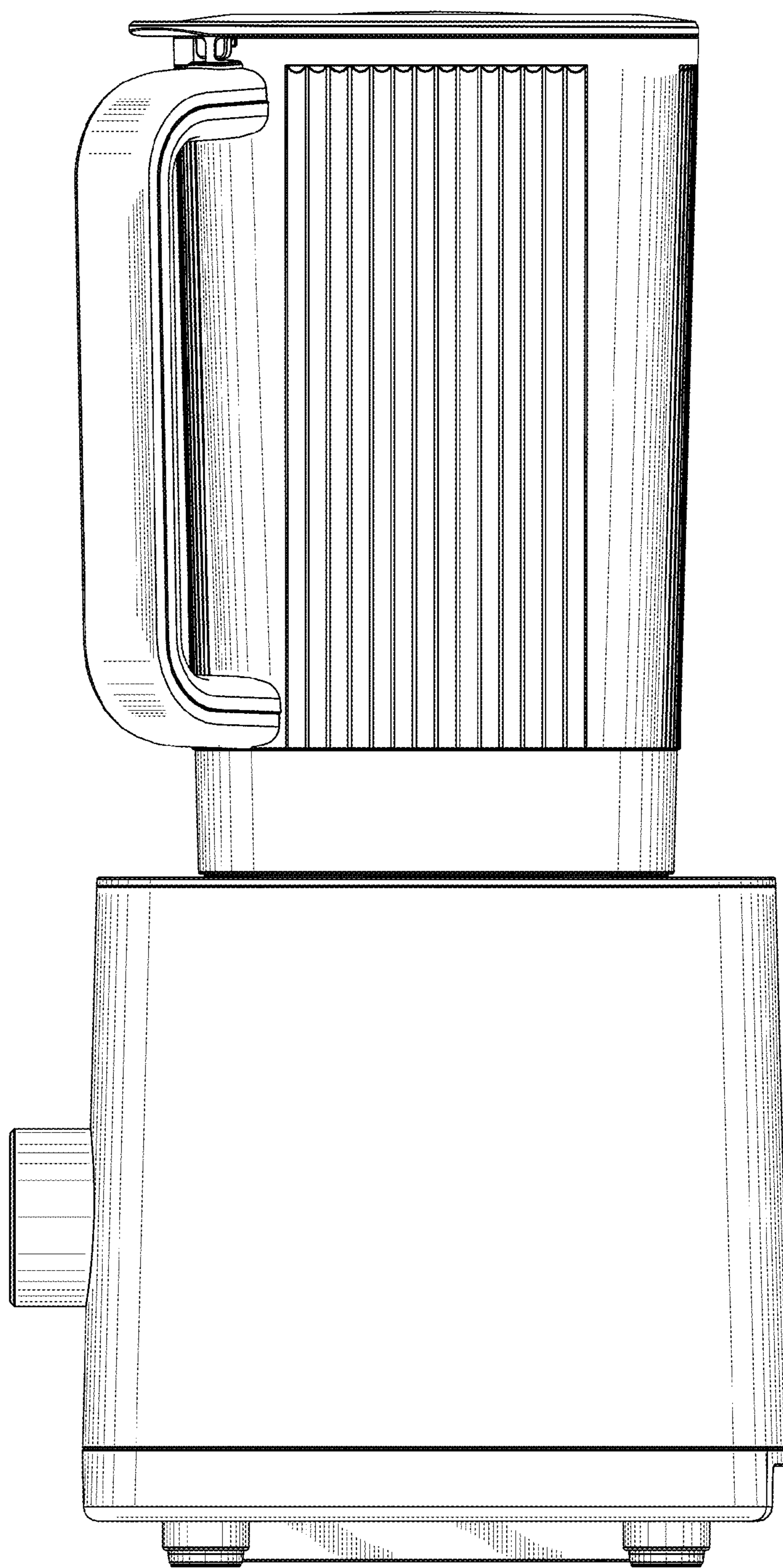


FIG. 5

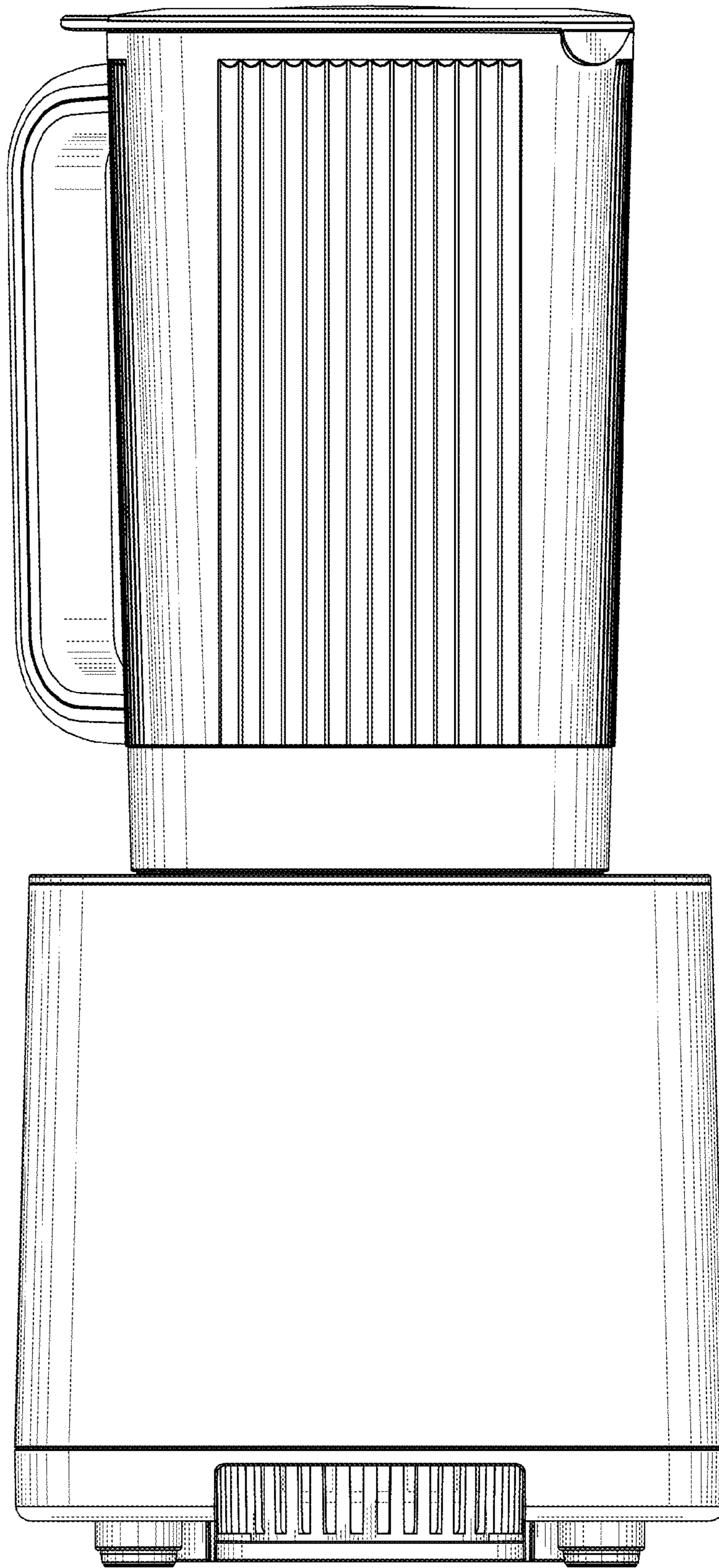


FIG. 6

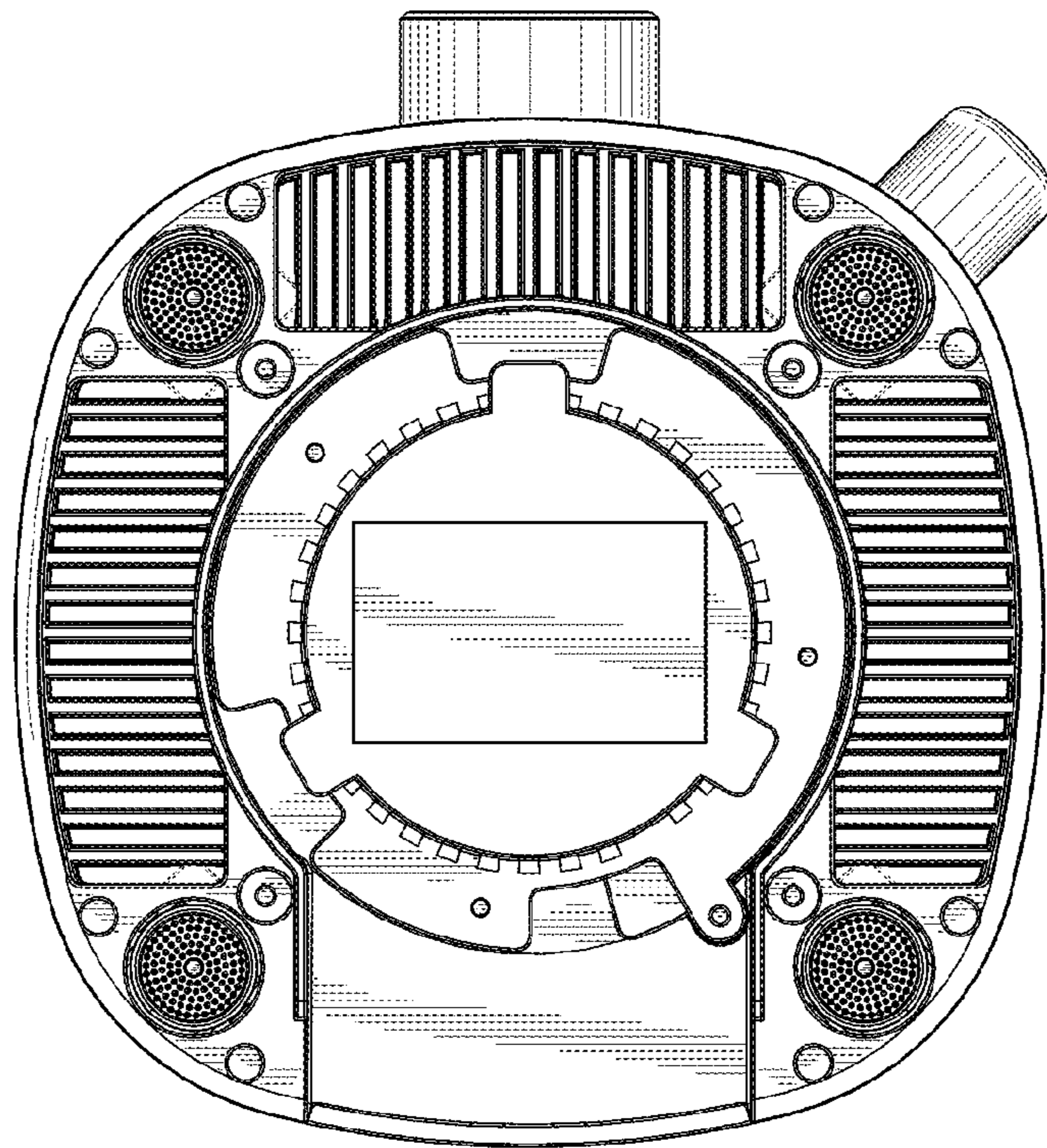


FIG. 7

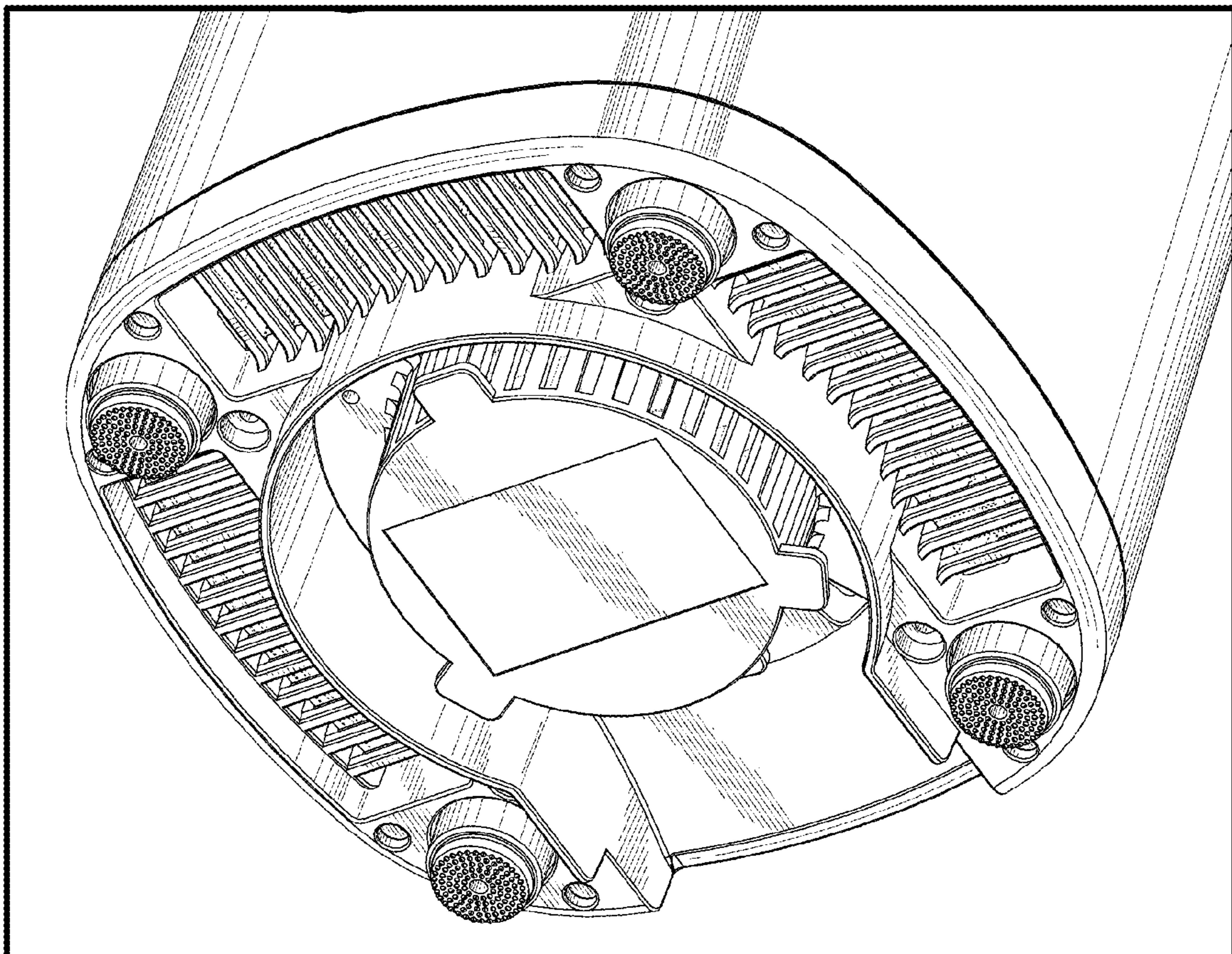


FIG. 8

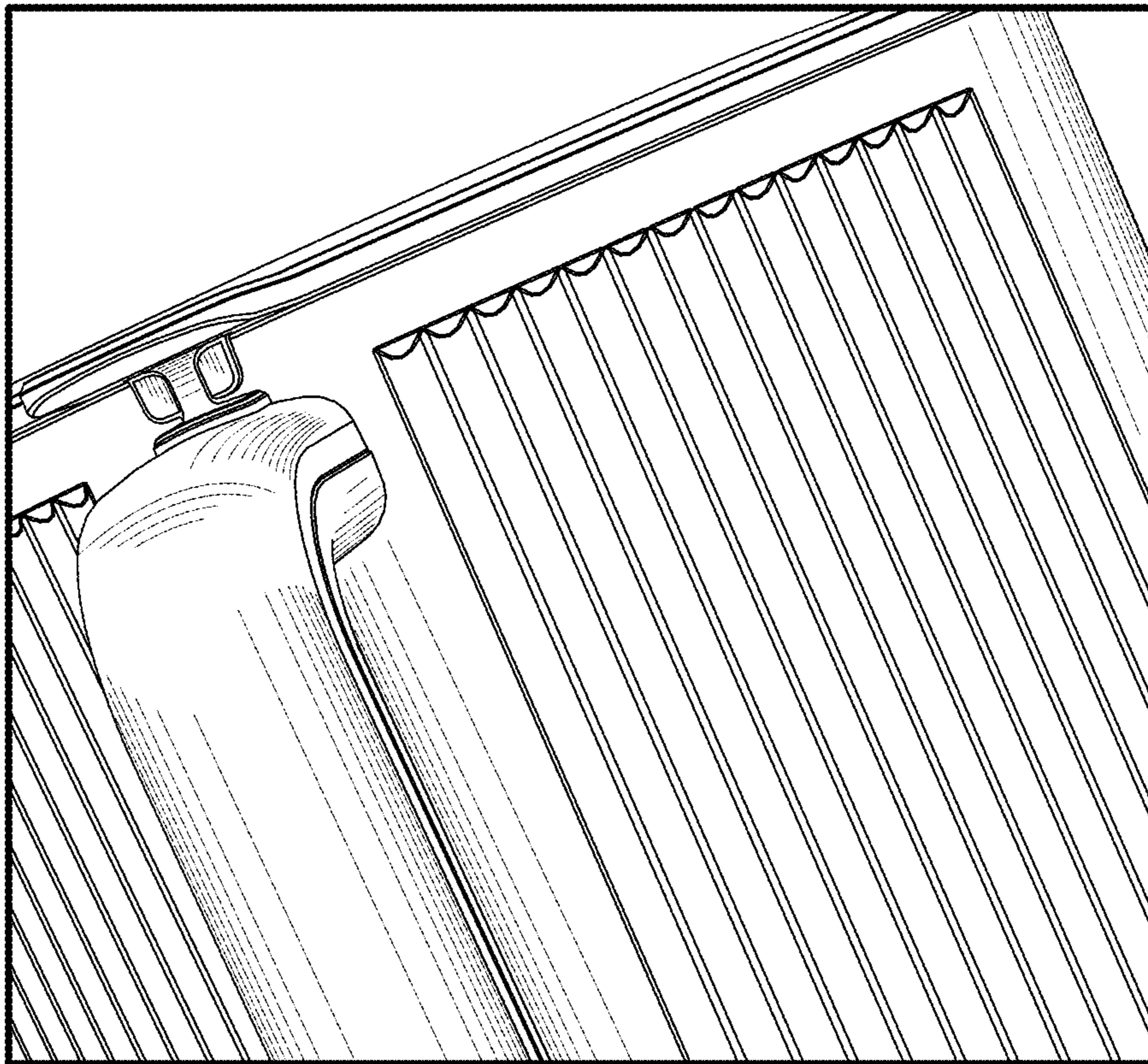


FIG. 9

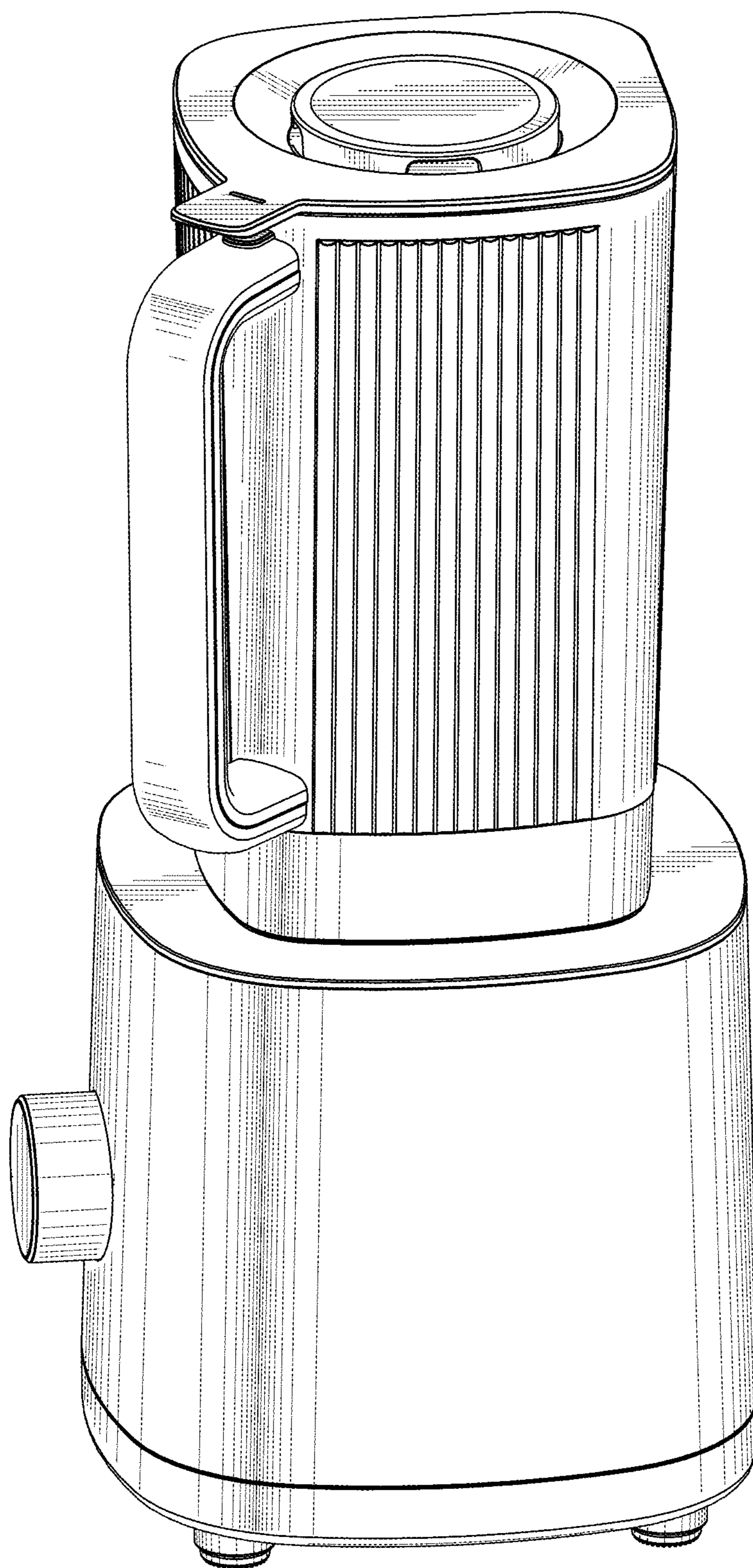


FIG. 10