



US00D925264S

(12) **United States Design Patent** (10) **Patent No.:** **US D925,264 S**
Bennion et al. (45) **Date of Patent:** **** Jul. 20, 2021**

(54) **PORTABLE GRILL**

(71) Applicant: **Weber-Stephen Products LLC**,
Palatine, IL (US)

(72) Inventors: **Derek Bennion**, Chicago, IL (US);
Evan Sparks, Cottage Grove, WI (US);
Joel Kramka, Madison, WI (US);
Montel Caruthers, Madison, WI (US)

(73) Assignee: **WEBER-STEPHEN PRODUCTS LLC**, Palatine, IL (US)

(**) Term: **15 Years**

(21) Appl. No.: **29/720,246**

(22) Filed: **Jan. 10, 2020**

(51) **LOC (13) Cl.** **07-02**

(52) **U.S. Cl.**
USPC **D7/334**

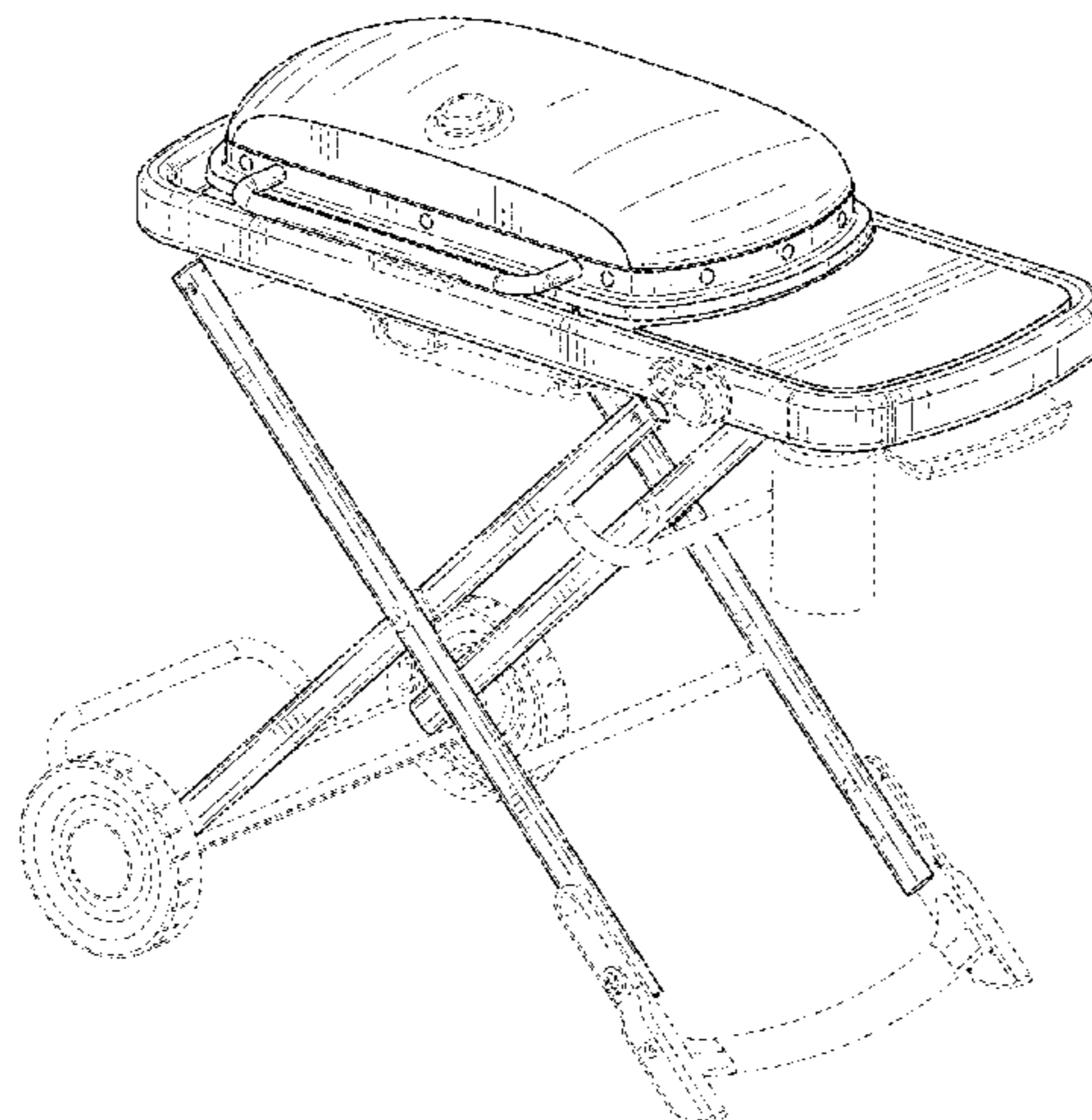
(58) **Field of Classification Search**
USPC D7/323, 332, 334-337, 339-341,
D7/346-349, 350.1, 350.3, 351-353, 362,
D7/363, 387, 402, 403, 405-409;
D8/315-318
CPC .. A47J 33/00; A47J 36/00; A47J 36/26; A47J
37/00; A47J 37/04; A47J 37/06; A47J
37/0611; A47J 37/0623; A47J 37/0647;
A47J 37/0652; A47J 37/07; A47J
37/0704; A47J 37/0713; A47J 37/0718;
A47J 37/0727; A47J 37/0731; A47J
37/074; A47J 37/0754; A47J 37/0763;
A47J 2037/0777; F23D 14/10; F24C
1/00; F24C 3/00; F24C 3/002; F24C
3/022; F24C 3/042; F24C 3/08; F24C
3/082; F24C 3/10; F24C 3/106; F24C
3/14; F24C 7/00; F24C 7/02; F24C 7/04;
F24C 7/043; F24C 7/10; F24C 7/083;
F24C 15/10; F24C 15/36
See application file for complete search history.

5,560,582 A	10/1996	Beelen
D404,963 S	2/1999	Schlosser et al.
6,267,047 B1	7/2001	Mosher, II et al.
6,302,097 B1	10/2001	Rivera
D456,202 S	4/2002	McNair et al.
6,422,230 B1	7/2002	Stewart et al.
D461,360 S	8/2002	Bossier
6,431,319 B1	8/2002	Myers et al.
6,439,221 B1	8/2002	Ward et al.
6,439,222 B1	8/2002	Dixon et al.
D464,228 S	10/2002	Hsu
D464,843 S	10/2002	Schulte et al.
6,513,515 B1	2/2003	Wu
D472,757 S	4/2003	Schulte et al.
6,546,925 B1	4/2003	Wu
6,684,877 B2	2/2004	Wu
6,792,935 B2	9/2004	Williams et al.
D498,388 S	11/2004	Long et al.
6,863,063 B2	3/2005	Yeh
6,910,475 B2	6/2005	Zelek et al.
6,913,458 B2	7/2005	Mosher, II et al.
6,951,213 B2	10/2005	Coleman et al.
7,055,847 B2	6/2006	Miller et al.
D533,008 S	12/2006	Macri et al.
7,255,355 B2	8/2007	Chisholm et al.
7,284,549 B1	10/2007	Eby et al.
D562,619 S	2/2008	Henley et al.
D562,628 S	2/2008	Henley et al.
7,958,882 B1	6/2011	Sgourides
D662,348 S	6/2012	Siow
8,201,550 B2	6/2012	Malumyan
8,316,837 B2	11/2012	Malumyan
8,397,707 B2	3/2013	Montaño et al.
D680,365 S	4/2013	Chung
8,505,960 B1	8/2013	Shindelar et al.
8,540,316 B2	9/2013	Deml et al.
D709,315 S	7/2014	Initzel et al.
8,814,199 B2	8/2014	Shindelar et al.
8,820,310 B1	9/2014	Plott
D719,394 S *	12/2014	Inada D7/334
8,915,238 B2	12/2014	Goeken
D726,491 S	4/2015	Witzel et al.
D737,096 S	8/2015	Lee et al.
9,096,247 B2	8/2015	Witzel et al.
9,187,108 B2	11/2015	Bruno et al.
D747,910 S	1/2016	Costa et al.
9,226,614 B2	1/2016	Lin
9,351,608 B2	5/2016	Lin
D770,223 S	11/2016	Witzel et al.
9,505,421 B2	11/2016	Bruno et al.
D786,004 S	5/2017	Yang
D801,745 S	11/2017	Costa et al.
D809,847 S	2/2018	Liu

(56) **References Cited**

U.S. PATENT DOCUMENTS

4,488,535 A 12/1984 Johnson
4,492,215 A 1/1985 DiGianvittorio



9,915,432	B2	3/2018	Plott	
10,143,336	B2	12/2018	Liu	
D911,091	S *	2/2021	Chung	D7/334
D917,948	S *	5/2021	Chung	D7/334
2004/0025859	A1	2/2004	Schulte	
2004/0118393	A1	6/2004	Schulte	
2005/0087182	A1	4/2005	Schulte	
2005/0252504	A1	11/2005	Cabrera et al.	
2009/0071415	A1	3/2009	Jehn	
2010/0326417	A1	12/2010	Groth et al.	
2014/0265186	A1 *	9/2014	Witzel	A47J 37/0713 280/35
2015/0114383	A1 *	4/2015	Lin	A47J 37/0664 126/25 R
2015/0251678	A1 *	9/2015	Bruno	A47J 37/0704 280/645
2016/0213198	A1	7/2016	Smith	
2017/0035245	A1	2/2017	Smith et al.	

FOREIGN PATENT DOCUMENTS

DE	202018103566	6/2018
DE	202018106159	12/2018
EP	1306043	5/2003
EP	1309265	10/2006
EP	2208633	7/2010
EP	2420167	2/2012
EP	2850981	3/2015
GB	2415360	12/2007
JP	D1586658	9/2017
TW	464218	11/2001
TW	D179757	12/2016
TW	D209635	1/2021
WO	2008085534	7/2008
WO	2010151642	12/2010

OTHER PUBLICATIONS

Design No. 302214510, Dec. 5, 2012—China National Intellectual Property Administration (CNIPA) Publication Date—Dec. 5, 2012 Owner—Techtronic Industries Co Ltd, Designer—J WIPO, available at <https://www3.wipo.int/designdb/en/index.jsp> (Year: 2012).*

Design No. 008034607-0001, Jul. 8, 2020—European Union Intellectual Property Office (EUIPO) Publication Date—Jul. 23, 2020 Owner—Weber-Stephen Products LLC, Designer—Derek Bennion et. al. DesignView, available at www.tmdn.org/tmdsview-web/welcome (Year: 2020).*

Weber Traveler Portable Gas Grill, Weber, [online], [site visited May 27, 2021], Available from internet URL: <https://www.weber.com/US/en/grills/portable-grills/weber-traveler/the-weber-traveler/9010001.html> (Year: 2021).*

Landmann, “42235 Pantera Portable Kit,” Sep. 6, 2019, retrieved from [<https://landmann.com/us/manuals/42235-pantera-portable/>], 2 pages.

Landmann, “Pantera Portable Kit, Assembly Instructions,” Edition 12/17LI, Version 42264, Dated 2018, 10 pages.

Cuisinart Outdoor Grilling Products, “Model: CGG-240 Roll-Away Portable LP Gas Grill Assembly and Operating Instructions,” 9 pages.

Coleman, “Coleman Roadtrip 225 Portable Stand-Up Propane Grill,” retrieved from [https://www.coleman.com/grills/coleman-roadtrip-225-portable-stand-up-propane-grill/Roadtrip225.html?dwvar_Roadtrip225_color=red&cgid=coleman] on Aug. 23, 2019, 5 pages.

Coleman, “Coleman Roadtrip 285 Portable Stand-Up Propane Grill,” retrieved from [https://www.coleman.com/grills/coleman-roadtrip-285-portable-stand-up-propane-grill/Roadtrip285.html?dwvar_Roadtrip285_color=green&cgid=coleman] on Aug. 23, 2019, 8 pages.

GrillBoss, “1-Bumer Portable Folding LP Gas Gas Grill in Green with Push-Button Ignition,” retrieved from [<https://www.homedepot.com/p/GrillBoss-1-Burner-Portable-Folding-LP-Gas-Gas-Grill-in-Green-with-Push-Button-Ignition-GTC1405G/305587162>] on Sep. 6, 2019, 4 pages.

Napoleon Grills, “TQ285X-1 instructions,” retrieved from [www.napoleongrills.com] dated Nov. 9, 2018, 40 pages.

Coleman, “NXT™ 100 Grill,” dated Aug. 23, 2019, retrieved from [<https://www.coleman.com/nxt-100-grill/2000012519.html?cgid=coleman-stovesandgrills-grills#start=12>], 3 pages.

Coleman, “NXT™ 200 Grill,” dated Aug. 23, 2019, retrieved from [<https://www.coleman.com/nxt-200-grill/2000012520.html?cgid=coleman-stovesandgrills-grills#start=15>], 7 pages.

Coleman, “NXT™ Lite Standup Propane Grill,” dated Aug. 23, 2019, retrieved from [<https://www.coleman.com/nxt-50-lite-standup-propane-grill/2000014018.html?cgid=coleman-stovesandgrills-grills#start=9>], 3 pages.

Coleman, “Roadtrip® LX Grill,” dated Aug. 23, 2019, retrieved from [<https://www.coleman.com/roadtrip-lx-propane-grill/2000020966.html?cgid=coleman-stovesandgrills-grills#start=5>], 7 pages.

Coleman, “Roadtrip® LXE Grill,” dated Aug. 23, 2019, retrieved from [<https://www.coleman.com/grills/roadtrip-lxe-grill/RoadTripLXE.html?cgid=coleman-stovesandgrills-grills#start=18>], 6 pages.

Coleman, “Roadtrip® X-Cursion™ Propane Grill,” dated Aug. 23, 2019, retrieved from [<https://www.coleman.com/roadtrip-x-cursion-propane-grill/2000017461.html?cgid=coleman-stovesandgrills-grills#start=13>], 7 pages.

Coleman, “Sportster® Propane Grill,” dated Aug. 23, 2019, retrieved from [<https://www.coleman.com/roadtrip-propane-grill/2000020947.html?cgid=coleman-stovesandgrills-grills#start=19>], 6 pages.

STÖK®, “Operators Manual Electric Gridiron™ Grill STE1150Q,” Jan. 22, 2014, 56 pages.

STÖK®, “Operators Manual Electric Gridiron™ Grill STG1050,” Dec. 20, 2013, 20 pages.

STÖK®, “Operators Manual Electric Gridiron™ Grill STG1150HD,” Sep. 21, 2015, 56 pages.

Napoleon Grills, “PRO285X instructions,” retrieved from [www.napoleongrills.com] dated May 9, 2018, 40 pages.

Ip Australia, “Design examination report No. 1,” issued in connection with Australian Patent Application No. 202014607 dated Apr. 20, 2021, 13 pages.

Ip Australia, “Design examination report No. 1,” issued in connection with Australian Patent Application No. 202015274 dated Apr. 20, 2021, 13 pages.

IP Australia, “Certificate of Registration,” issued in connection with Australian Design No. 202013674, dated Aug. 24, 2020, 9 pages.

IP Australia, “Certificate of Examination,” issued in connection with Australian Design No. 202013674, dated Feb. 3, 2021, 2 pages.

European Union Intellectual Property Office, “Certificate of Registration No. 008034607-0001,” dated Jul. 8, 2020, 5 pages.

Taiwan Intellectual Property Office, “Allowance Decision of Examination and Search Report,” issued in connection with Taiwan Patent Application No. 109303697, dated Dec. 2, 2020, 4 pages.

IP Australia, “Certificate of Registration,” issued in connection with Australian Design No. 202013675, dated Aug. 24, 2020, 9 pages.

IP Australia, “Certificate of Examination,” issued in connection with Australian Design No. 202013675, dated Feb. 3, 2021, 2 pages.

European Union Intellectual Property Office, “Certificate of Registration No. 008034086-0001,” dated Jul. 8, 2020, 4 pages.

Taiwan Intellectual Property Office, “Allowance Decision of Examination and Search Report,” issued in connection with Taiwan Patent Application No. 109303696, dated Dec. 2, 2020, 5 pages.

IP Australia, “Certificate of Registration,” issued in connection with Australian Design No. 202014607, dated Nov. , 2020, 16 pages.

European Union Intellectual Property Office, “Certificate of Registration No. 008167498-0001 and 0002,” dated Sep. 11, 2020, 9 pages.

Taiwan Intellectual Property Office, “Allowance Decision of Examination and Search Report,” issued in connection with Taiwan Patent Application No. 109305051, dated Feb. 9, 2021, 5 pages.

IP Australia, “Formalities notice No. 1—requirements for registration not met,” issued in connection with Australian Patent Application No. 202015274, dated Nov. 23, 2020, 4 pages.

IP Australia, “Formalities notice No. 2—requirements for registration not met,” issued in connection with Australian Patent Application No. 202015274, dated Dec. 14, 2020, 4 pages.

IP Australia, “Certificate of Registration,” issued in connection with Australian Design No. 202015274, dated Dec. 18, 2020, 16 pages.

China National Intellectual Property Administration, “Notice of Decision of Grant of Patent Right,” issued in connection with Chinese Patent Application No. 202030580598.2, dated Jan. 22, 2021, 4 pages.

China National Intellectual Property Administration, “Design Certificate,” issued in connection with Chinese Patent No. ZL202030580598.2, dated Mar. 5, 2021, 3 pages.

European Union Intellectual Property Office, “Certificate of Registration No. 008188817-0001 and 0002,” dated Sep. 29, 2020, 9 pages.

Taiwan Intellectual Property Office, “Allowance Decision of Examination and Search Report,” issued in connection with Taiwan Patent Application No. 109305462, dated Mar. 5, 2021, 5 pages.

United States Patent and Trademark Office, “Notice of Allowance and Fee(s) Due,” issued in connection with U.S. Appl. No. 29/720,248, dated Feb. 22, 2021, 8 pages.

* cited by examiner

Primary Examiner — Mary Ann Calabrese

Assistant Examiner — Natalya M Rapundalo

(74) *Attorney, Agent, or Firm* — Hanley, Flight & Zimmerman, LLC

(57)

CLAIM

The ornamental design for a “portable grill,” as shown and described.

DESCRIPTION

FIG. 1 is a front perspective view of a portable grill shown in an erected configuration.

FIG. 2 is a front view of the portable grill of FIG. 1.

FIG. 3 is a rear view of the portable grill of FIG. 1.

FIG. 4 is a right side view of the portable grill of FIG. 1.

FIG. 5 is a left side view of the portable grill of FIG. 1.

FIG. 6 is a top view of the portable grill of FIG. 1; and,

FIG. 7 is a bottom view of the portable grill of FIG. 1.

The features shown in broken lines form no part of the claimed design.

1 Claim, 7 Drawing Sheets

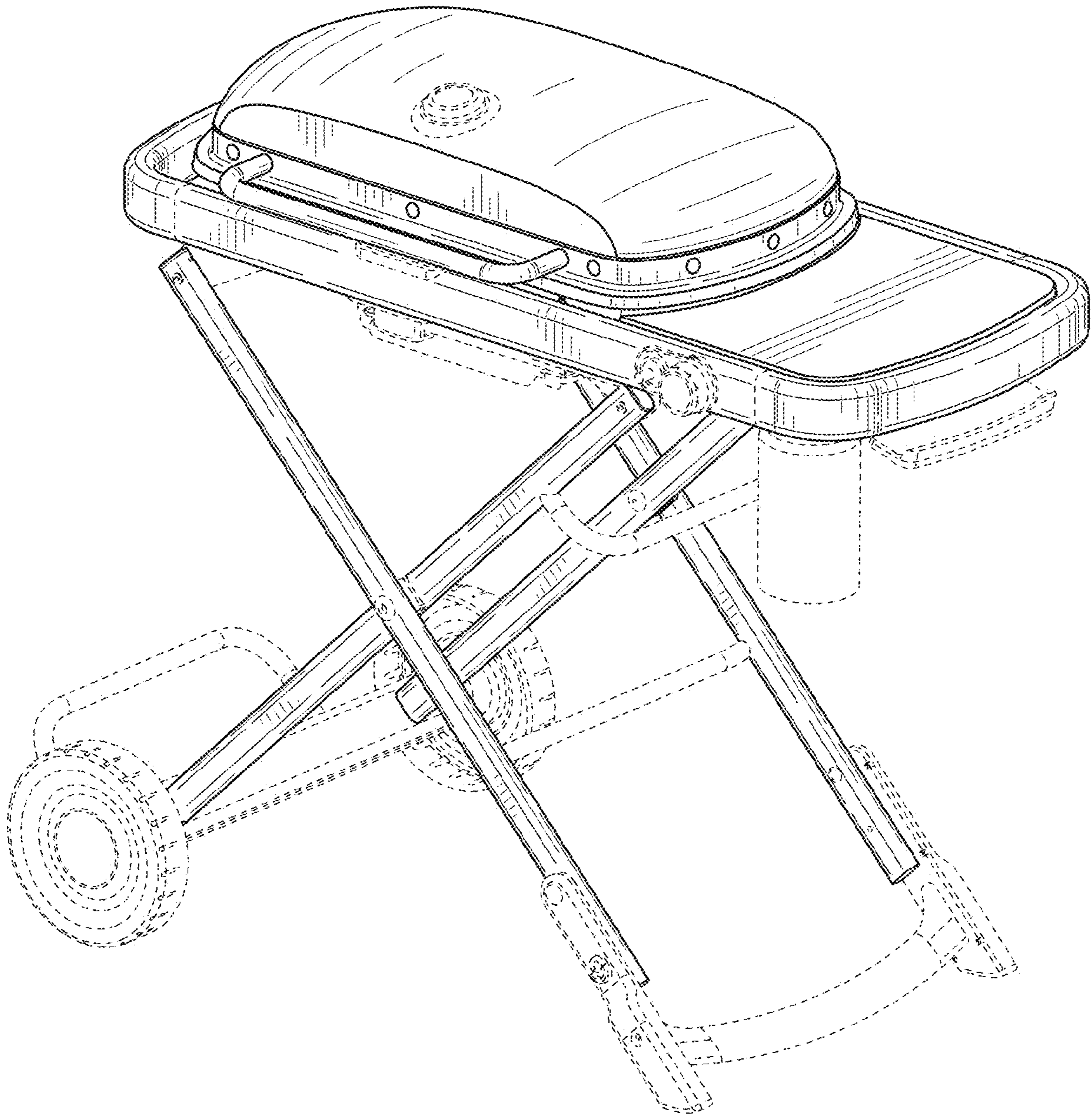


FIG. 1

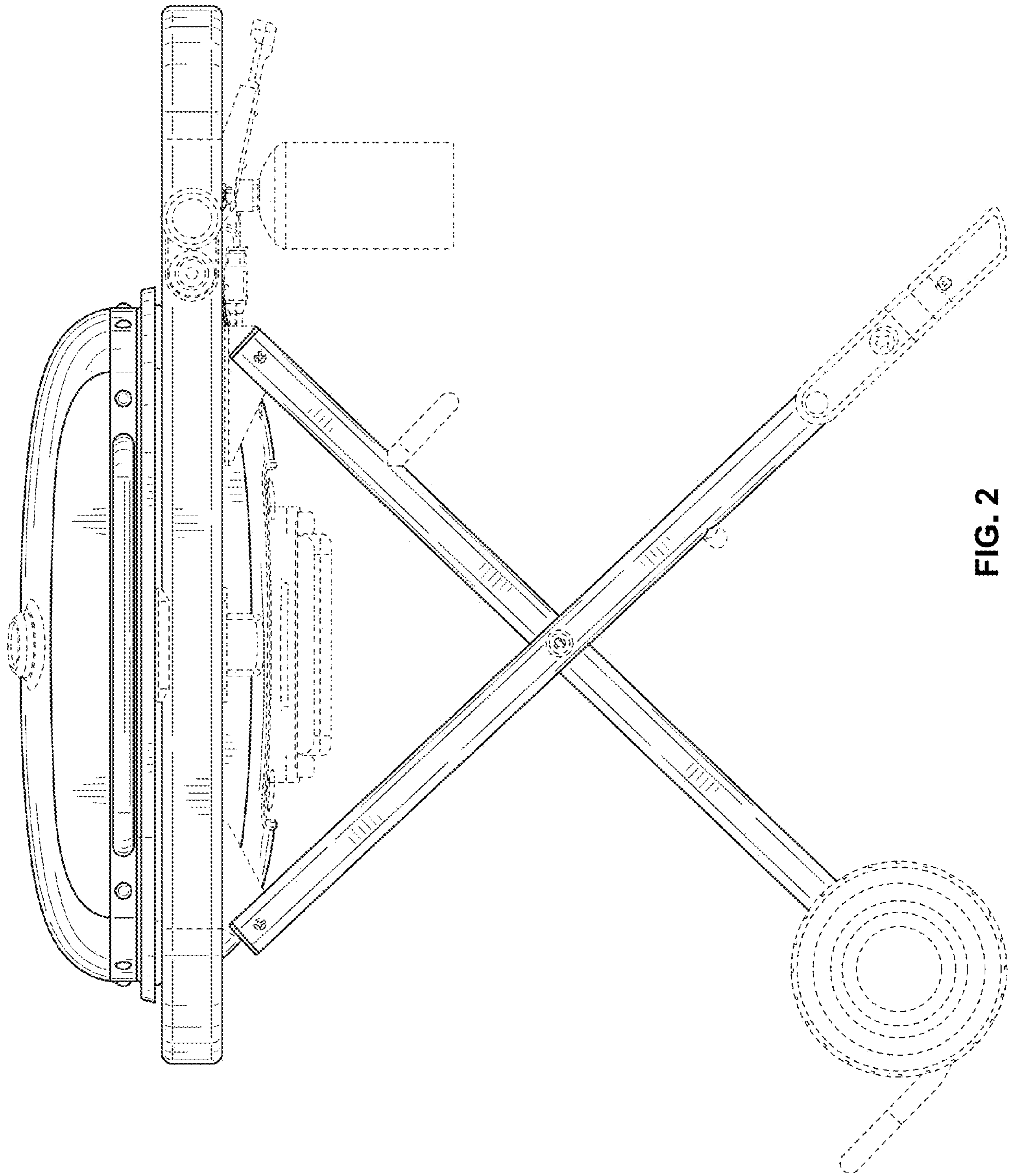


FIG. 2

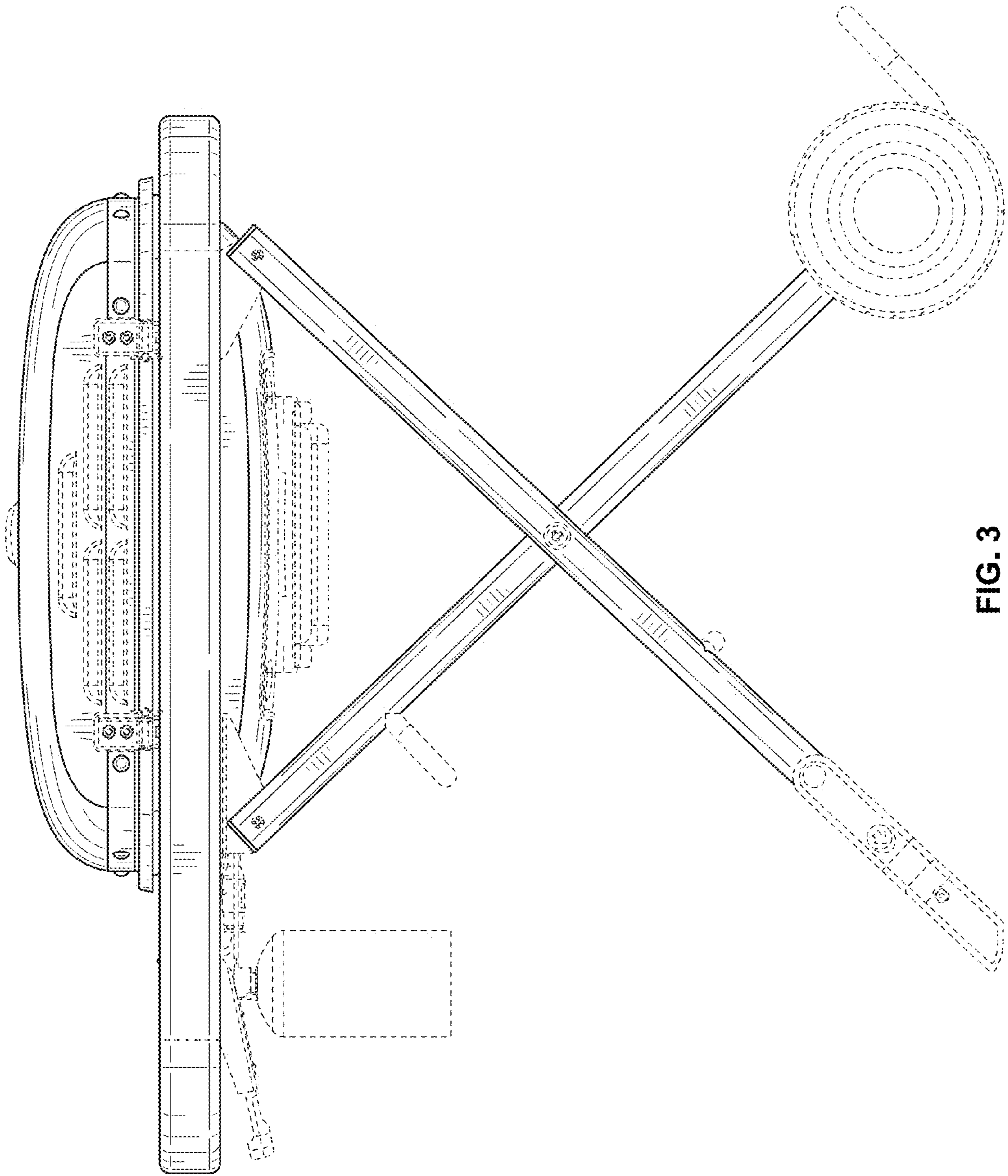


FIG. 3

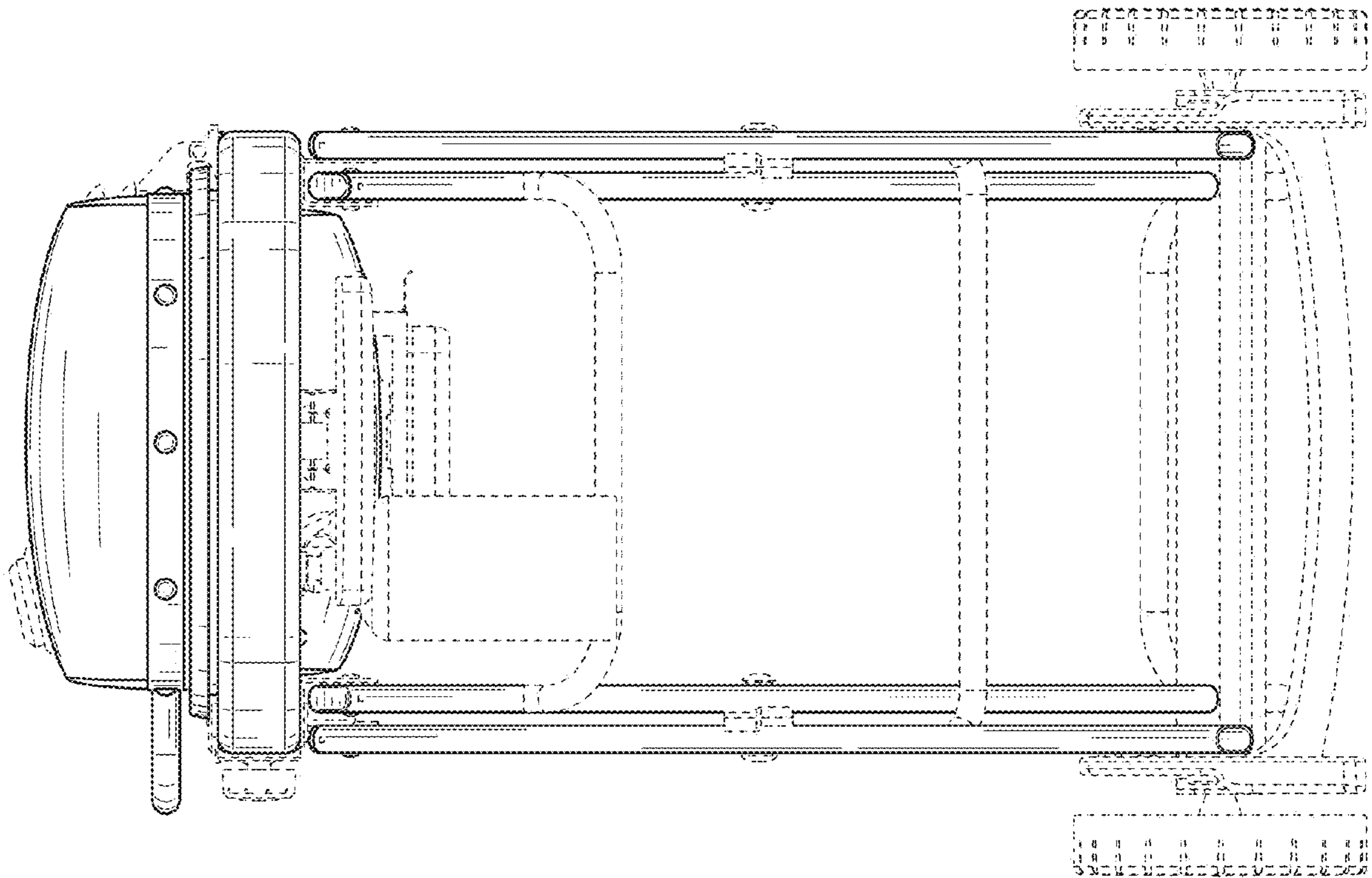


FIG. 4

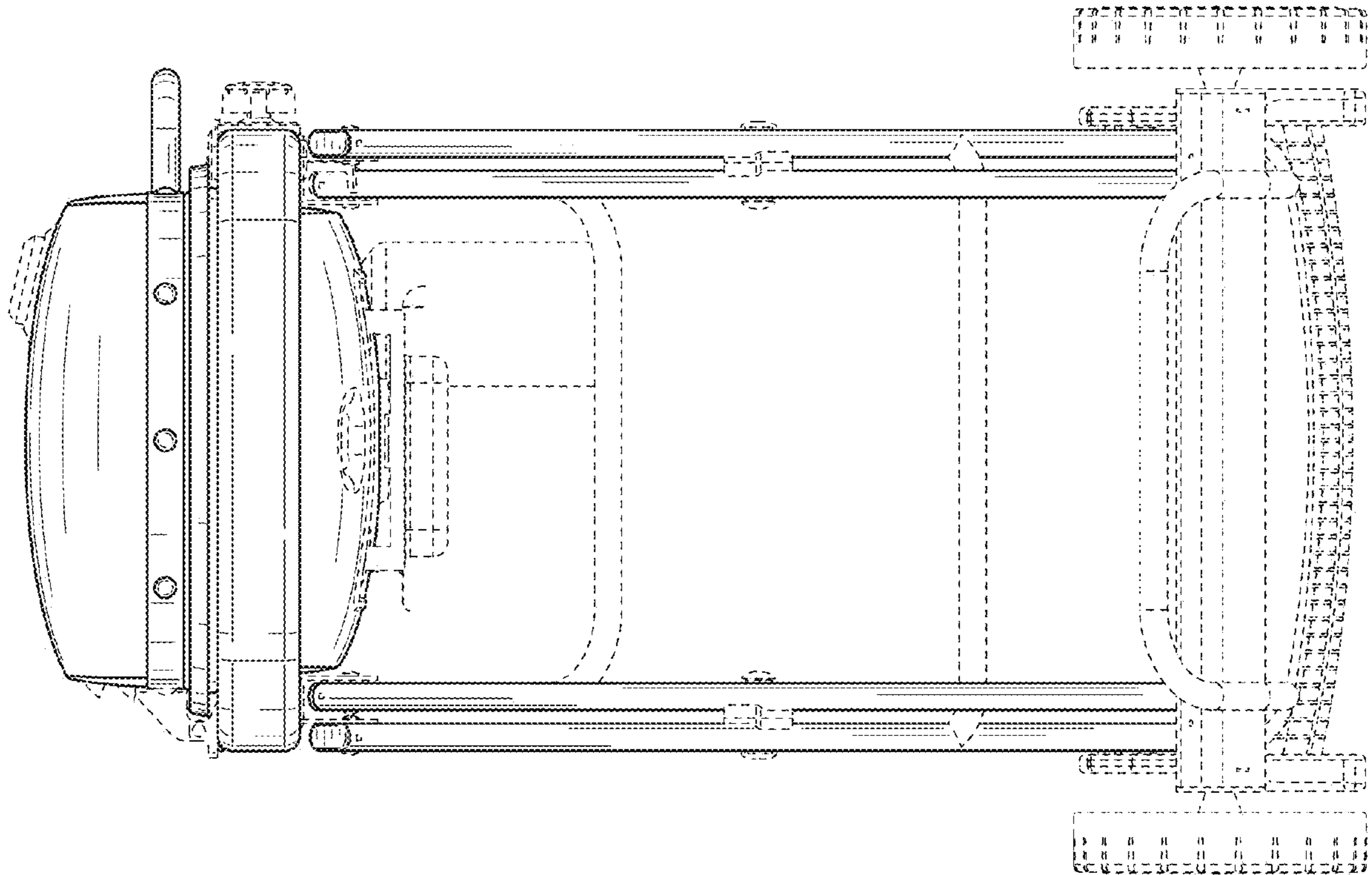


FIG. 5

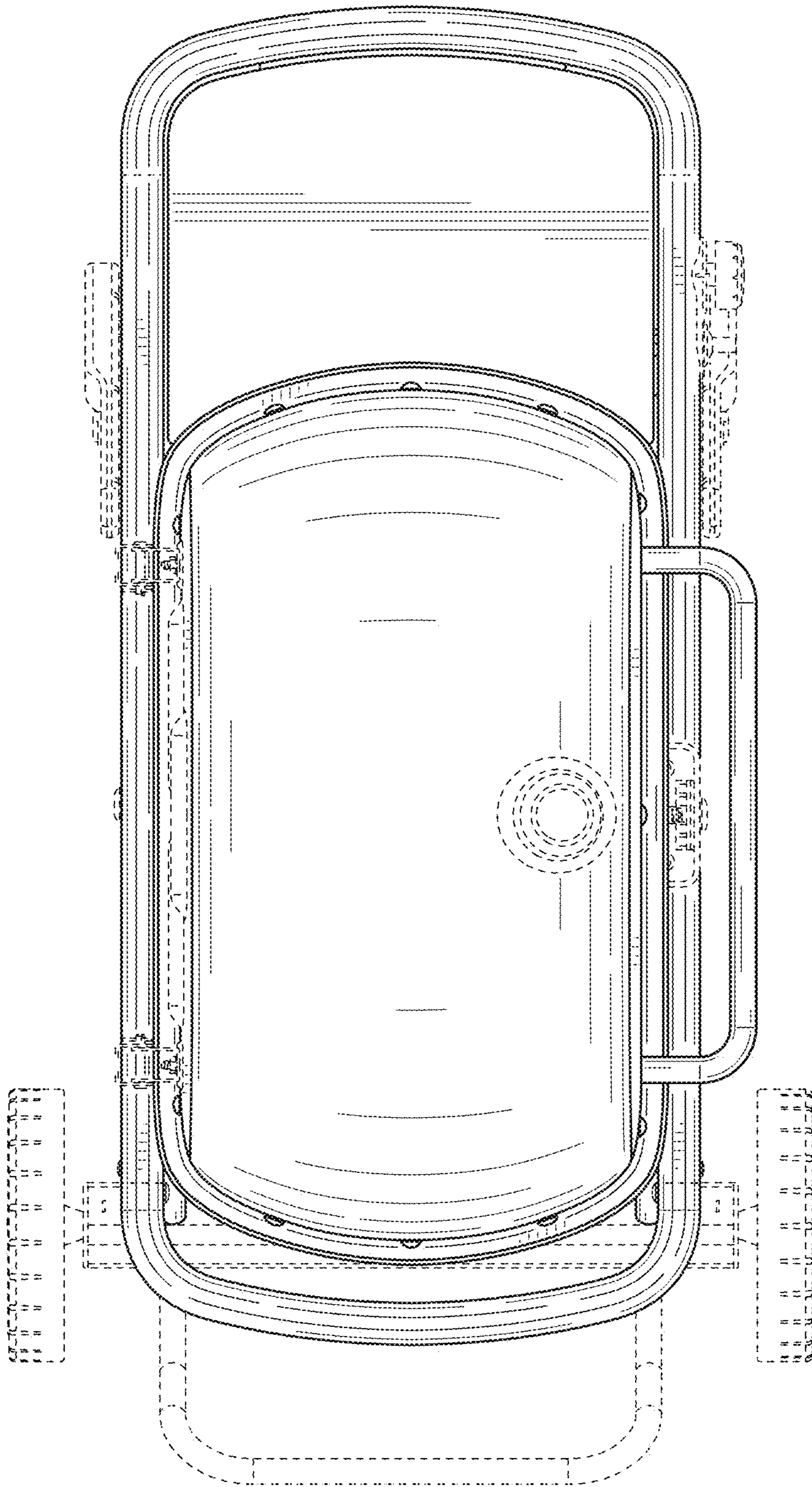


FIG. 6

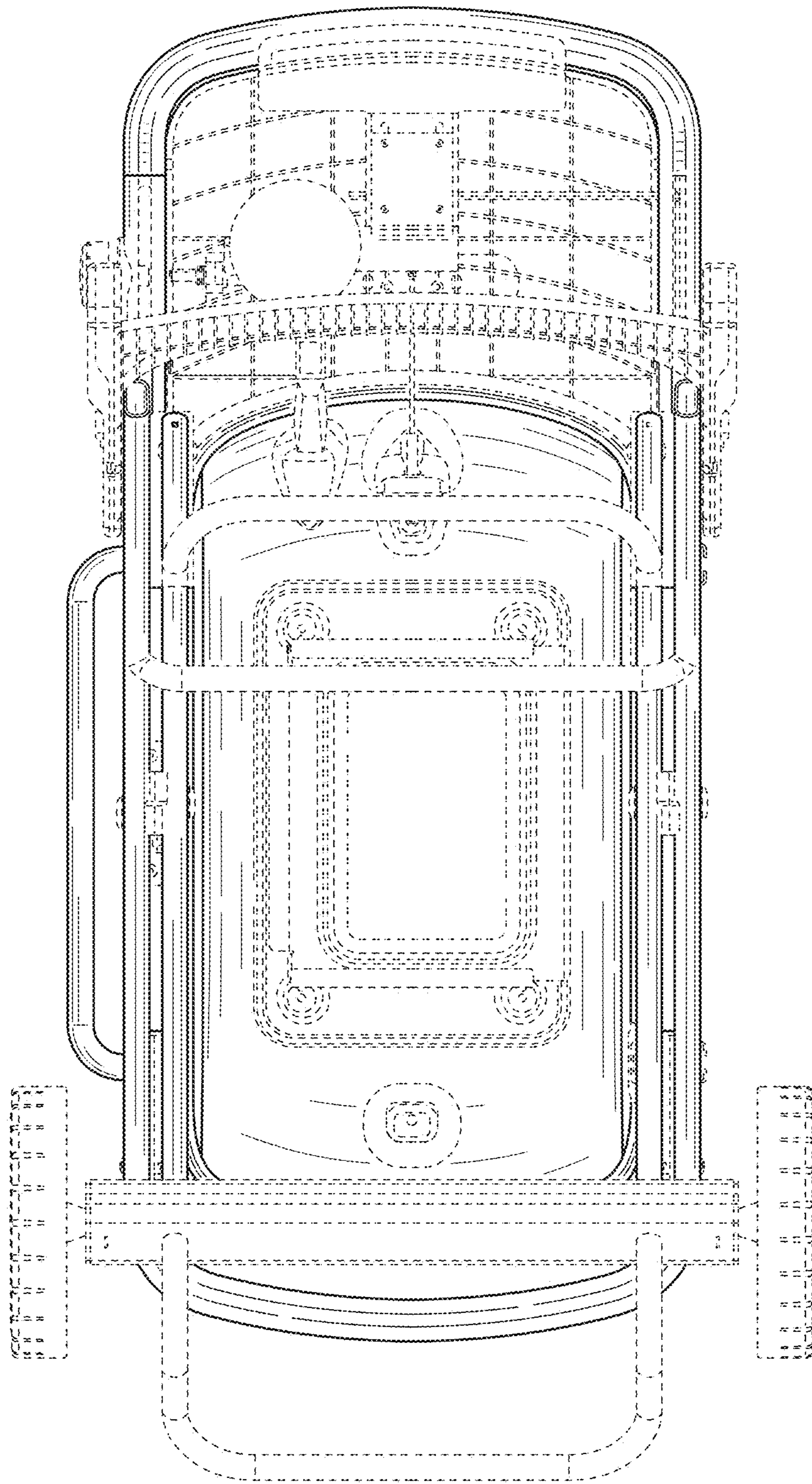


FIG. 7