



US00D925263S

(12) **United States Design Patent** (10) **Patent No.:** **US D925,263 S**  
**Bahreinian et al.** (45) **Date of Patent:** **\*\* Jul. 20, 2021**

(54) **GRILL**

FOREIGN PATENT DOCUMENTS

(71) Applicant: **NewAge Products, Inc.**, Vaughan (CA)

WO 2009012793 A1 1/2009  
WO 2013116946 A1 8/2013

(72) Inventors: **Hessam Bahreinian**, Toronto (CA);  
**Robert Vandenharm**, Woodbridge (CA)

(Continued)

(73) Assignee: **NewAge Products Inc.**, Vaughan (CA)

Big Green Egg, Egghead Forum, "I'm Hanging a Chicken Too Blog", Oct. 2014, 9 pages.

(\*\*) Term: **15 Years**

(Continued)

(21) Appl. No.: **29/722,399**

*Primary Examiner* — Mary Ann Calabrese

(22) Filed: **Jan. 29, 2020**

*Assistant Examiner* — Natalya M Rapundalo

(51) **LOC (13) Cl.** ..... **07-02**

(74) *Attorney, Agent, or Firm* — Howard & Howard Attorneys PLLC

(52) **U.S. Cl.**

(57) **CLAIM**

USPC ..... **D7/332**

An ornamental design for a grill, as shown and described.

(58) **Field of Classification Search**

**DESCRIPTION**

USPC ..... D7/323, 327, 332, 334, 335, 339, 347,  
D7/348, 350.2, 350.3, 350.4, 354, 402  
CPC .. A47J 33/00; A47J 36/38; A47J 37/00; A47J  
37/04; A47J 37/06; A47J 37/0623; A47J  
37/0629; A47J 37/0635; A47J 37/0647;  
A47J 37/0652; A47J 37/0658; A47J  
37/07; A47J 37/0704; A47J 37/0709;  
A47J 37/0713; A47J 37/0718; A47J  
37/0727; A47J 37/075; A47J 37/0754;  
A47J 37/0763; A47J 37/0786; A47J  
2037/0777; F24C 1/16; F24C 5/20  
See application file for complete search history.

FIG. 1 is a first perspective view of the grill, according to the present invention;  
FIG. 2 is a front elevational view of the grill shown in FIG. 1;  
FIG. 3 is a rear elevational view of the grill shown in FIG. 1;  
FIG. 4 is a top plan view of the grill shown in FIG. 1;  
FIG. 5 is a bottom plan view of the grill shown in FIG. 1;  
FIG. 6 is a first side elevational view of the grill shown in FIG. 1;  
FIG. 7 is a second side elevational view of the grill shown in FIG. 1;  
FIG. 8 is a second perspective view of the grill shown in FIG. 1;  
FIG. 9 is a third perspective view of the grill shown in FIG. 1; and,  
FIG. 10 is a fourth perspective view of the grill shown in FIG. 1.  
In the drawings, the broken lines represent portions of the grill that form no part of the claimed design.

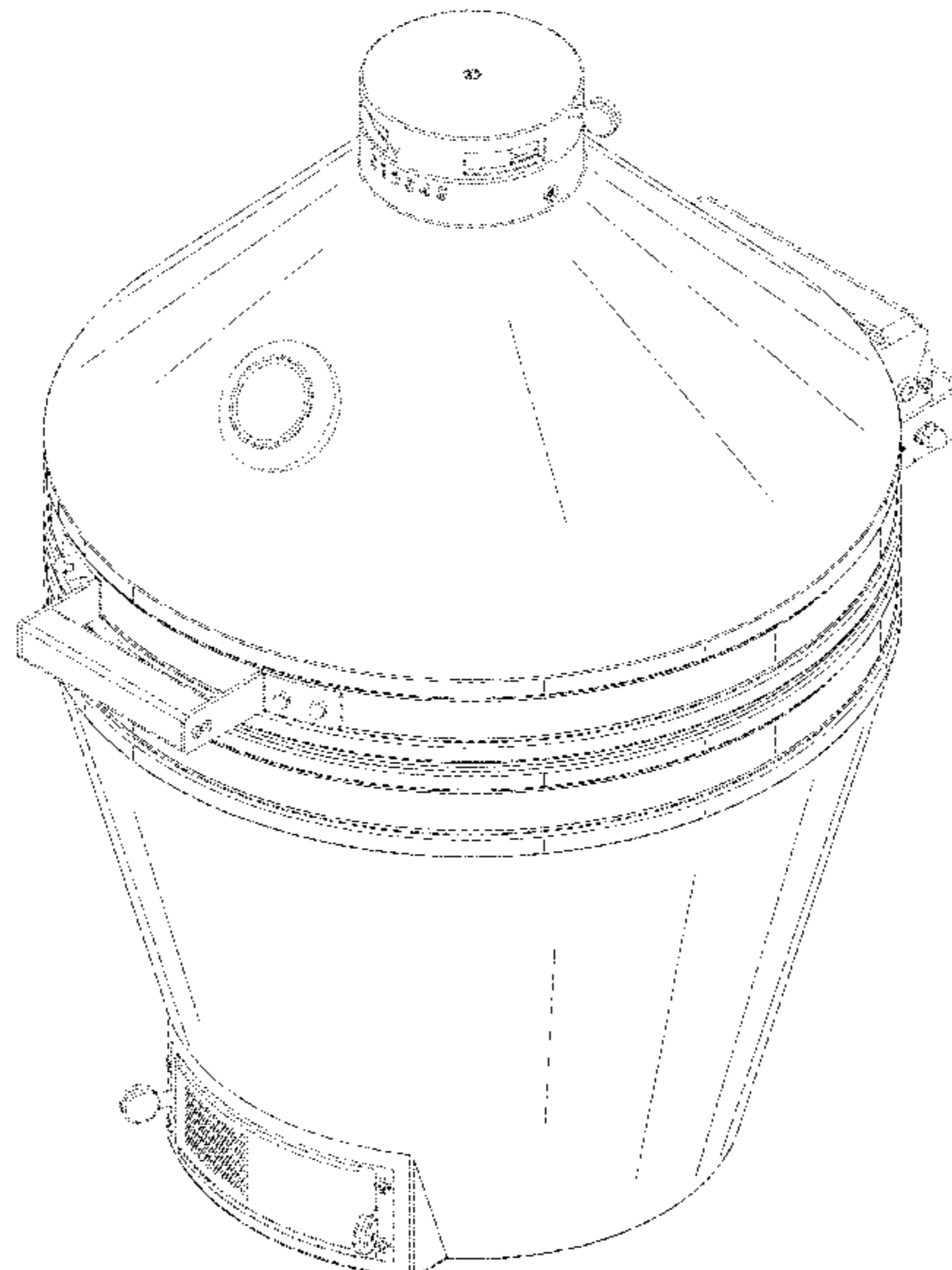
(56) **References Cited**

U.S. PATENT DOCUMENTS

6,616,058 B1 9/2003 Pirkle  
6,742,446 B2 6/2004 McLemore et al.  
6,827,076 B2 12/2004 Crawford et al.  
6,945,161 B1 9/2005 Battaglia et al.

(Continued)

**1 Claim, 10 Drawing Sheets**



(56)

References Cited

U.S. PATENT DOCUMENTS

6,966,253 B2 11/2005 Witzel  
 7,040,219 B1 5/2006 D'Amato et al.  
 7,237,476 B1 7/2007 Bourgeois et al.  
 7,281,469 B1 10/2007 Barbour et al.  
 7,516,692 B2 4/2009 Pirkle et al.  
 7,644,711 B2 1/2010 Creel  
 D615,807 S 5/2010 Creel  
 D615,814 S 5/2010 Creel  
 D642,416 S 8/2011 Scott et al.  
 D671,361 S 11/2012 Witzel et al.  
 D680,372 S 4/2013 Brennan  
 D683,177 S 5/2013 Brennan  
 8,464,702 B2 6/2013 Foster  
 8,516,644 B2 8/2013 Witzel et al.  
 D709,315 S 7/2014 Witzel et al.  
 D726,491 S 4/2015 Witzel et al.  
 9,016,190 B2 4/2015 Webb  
 9,096,247 B2 8/2015 Witzel et al.  
 9,101,244 B2 8/2015 Samaras  
 D741,605 S 10/2015 Witzel et al.  
 9,204,754 B1 12/2015 Bourgeois  
 9,237,828 B2 1/2016 Walters et al.  
 9,244,467 B2 1/2016 Quinty  
 9,339,145 B1 5/2016 Owczarzak  
 9,370,276 B2 6/2016 Witzel et al.  
 9,554,671 B2 1/2017 Poon  
 D781,647 S 3/2017 Bogazzi  
 9,603,484 B2 3/2017 Cleveland et al.  
 9,655,472 B1 5/2017 Alvarenga  
 9,668,615 B2 6/2017 Contarino, Jr.  
 9,681,775 B2 6/2017 Contarino, Jr.  
 9,707,679 B1 7/2017 Bogazzi  
 D802,997 S 11/2017 Bogazzi  
 9,814,352 B2 11/2017 Ahmed  
 9,879,796 B2 1/2018 Tallos et al.  
 D809,340 S 2/2018 Poon  
 D810,509 S 2/2018 Bogazzi  
 9,883,771 B2 2/2018 Minnich  
 D815,878 S \* 4/2018 Wong ..... A47J 37/0786  
 D817,090 S 5/2018 Bogazzi  
 10,010,219 B1 7/2018 Brewer  
 10,051,997 B2 8/2018 Contarino, Jr.  
 10,070,754 B2 9/2018 Schlosser et al.  
 10,070,755 B2 9/2018 Schlosser et al.  
 10,085,595 B2 10/2018 Minnich  
 10,092,135 B2 10/2018 DeBruler  
 10,098,502 B2 10/2018 Ohler et al.  
 10,125,995 B2 11/2018 Kohli  
 10,132,502 B2 11/2018 Contarino, Jr.  
 10,159,381 B2 12/2018 Walters et al.  
 D837,593 S 1/2019 Trudnak et al.  
 10,231,575 B1 3/2019 Nicoll et al.  
 D844,362 S 4/2019 Davis et al.  
 10,258,145 B2 4/2019 Witzel et al.

10,299,626 B2 5/2019 Walters et al.  
 D850,853 S 6/2019 Brennan  
 D851,450 S 6/2019 Brennan  
 D851,451 S 6/2019 Brennan  
 10,405,699 B2 9/2019 Contarino, Jr.  
 2005/0279223 A1 12/2005 McPeak  
 2012/0107476 A1 5/2012 McLemore et al.  
 2016/0255998 A1 9/2016 Feng et al.  
 2017/0224157 A1 8/2017 Rummel et al.  
 2017/0261385 A1\* 9/2017 Kohli ..... G01K 13/00  
 2017/0336076 A1 11/2017 Walters et al.  
 2017/0360238 A1 12/2017 Bogazzi  
 2017/0367534 A1 12/2017 Bogazzi  
 2017/0370592 A1 12/2017 Bogazzi  
 2018/0008093 A1 1/2018 Parker et al.  
 2018/0038502 A1 2/2018 Tallos et al.  
 2018/0078090 A1 3/2018 Boyd, Sr. et al.  
 2018/0098662 A1 4/2018 Klassen  
 2018/0116453 A1 5/2018 Boyd, Sr. et al.  
 2018/0132659 A1 5/2018 Morgan  
 2018/0153344 A1 6/2018 Scott et al.  
 2018/0177336 A1 6/2018 Brennan  
 2018/0180286 A1 6/2018 Brennan  
 2018/0263415 A1 9/2018 Hackley  
 2018/0317706 A1 11/2018 Graves et al.  
 2018/0368619 A1 12/2018 Boyd, Sr.  
 2019/0029466 A1 1/2019 Zhao  
 2019/0059652 A1 2/2019 Kohli  
 2019/0099040 A1 4/2019 Hopper  
 2019/0246839 A1 8/2019 Trudnak et al.  
 2019/0282031 A1 9/2019 Feng  
 2020/0046163 A1\* 2/2020 Yang ..... A47J 37/0786

FOREIGN PATENT DOCUMENTS

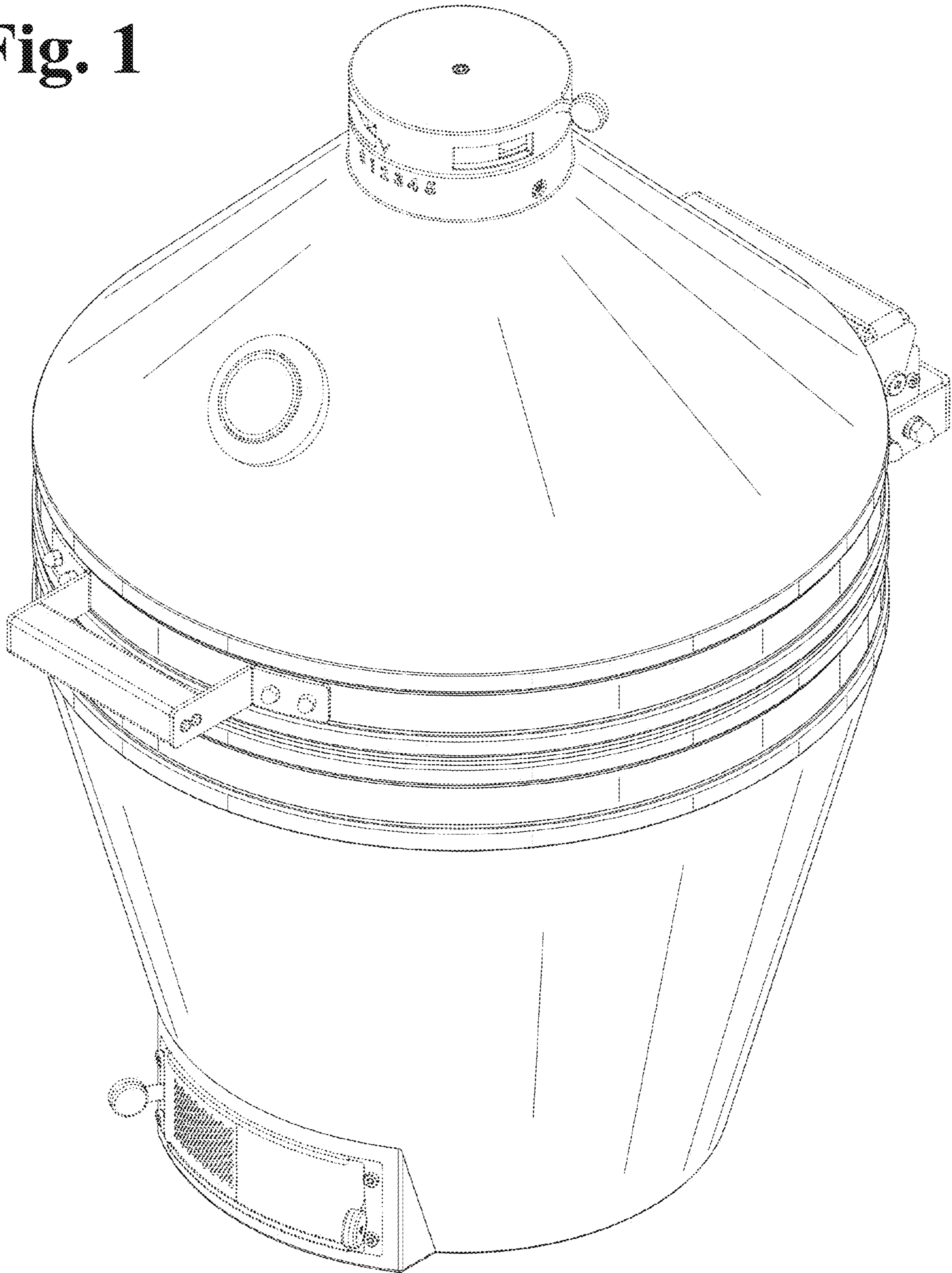
WO 2016171775 A1 10/2016  
 WO 2017220088 A1 12/2017  
 WO 2018204265 A1 11/2018  
 WO 2018208919 A1 11/2018  
 WO 2019079371 A1 4/2019  
 WO 2019104274 A1 5/2019  
 WO 2019104372 A1 6/2019  
 WO 2019140002 A1 7/2019  
 WO 2019104274 A9 9/2019  
 WO 2019210387 A1 11/2019

OTHER PUBLICATIONS

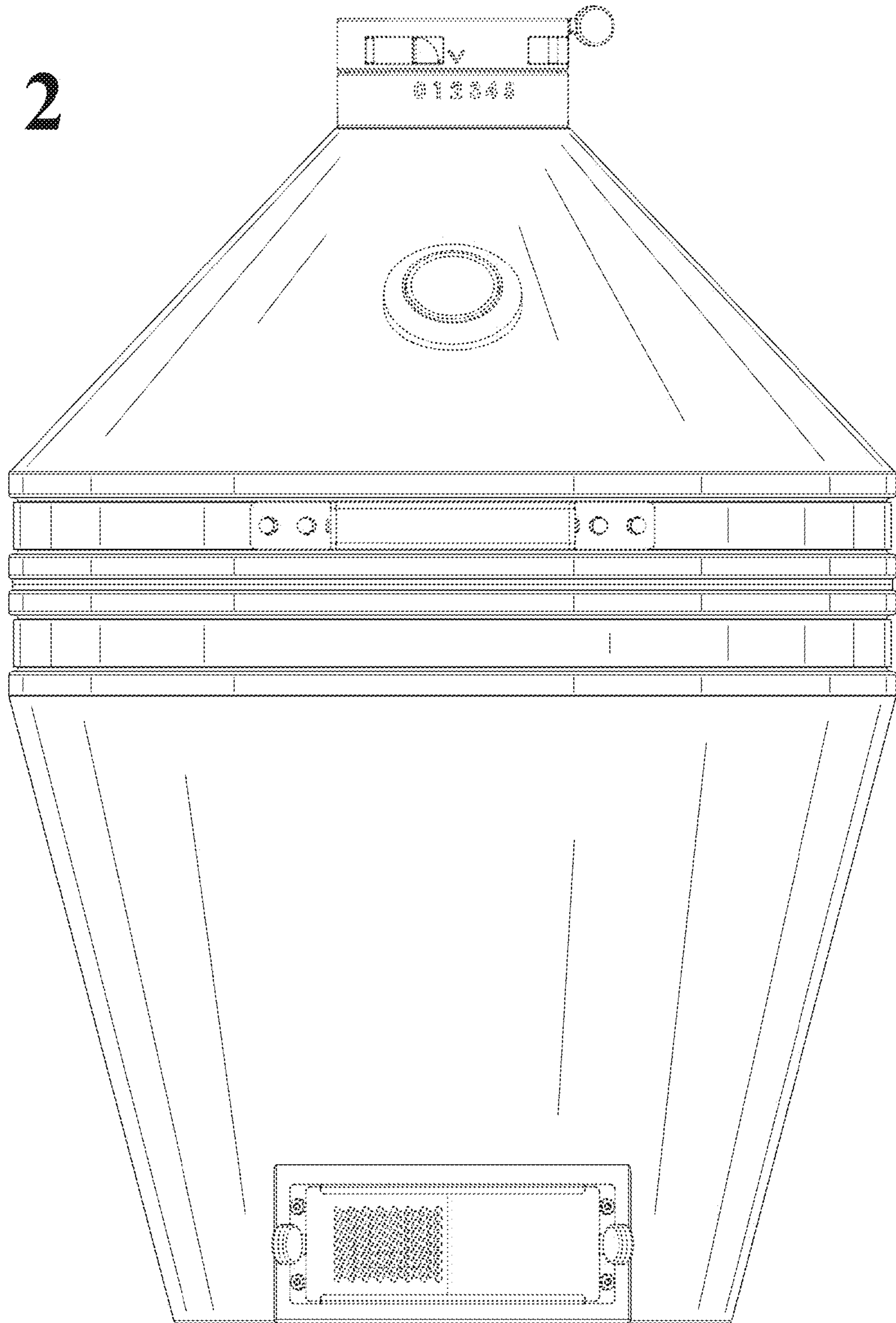
U.S. Appl. No. 16/775,919, filed Jan. 29, 2020.  
 English language abstract for WO 2009/012793 A1 extracted from  
 espacenet.com database on Apr. 13, 2020, 1 page.  
 English language abstract for WO 2017/220088 A1 extracted from  
 espacenet.com database on Apr. 13, 2020, 1 page.  
 English language abstract for WO 2019/210387 A1 extracted from  
 espacenet.com database on Apr. 13, 2020, 1 page.

\* cited by examiner

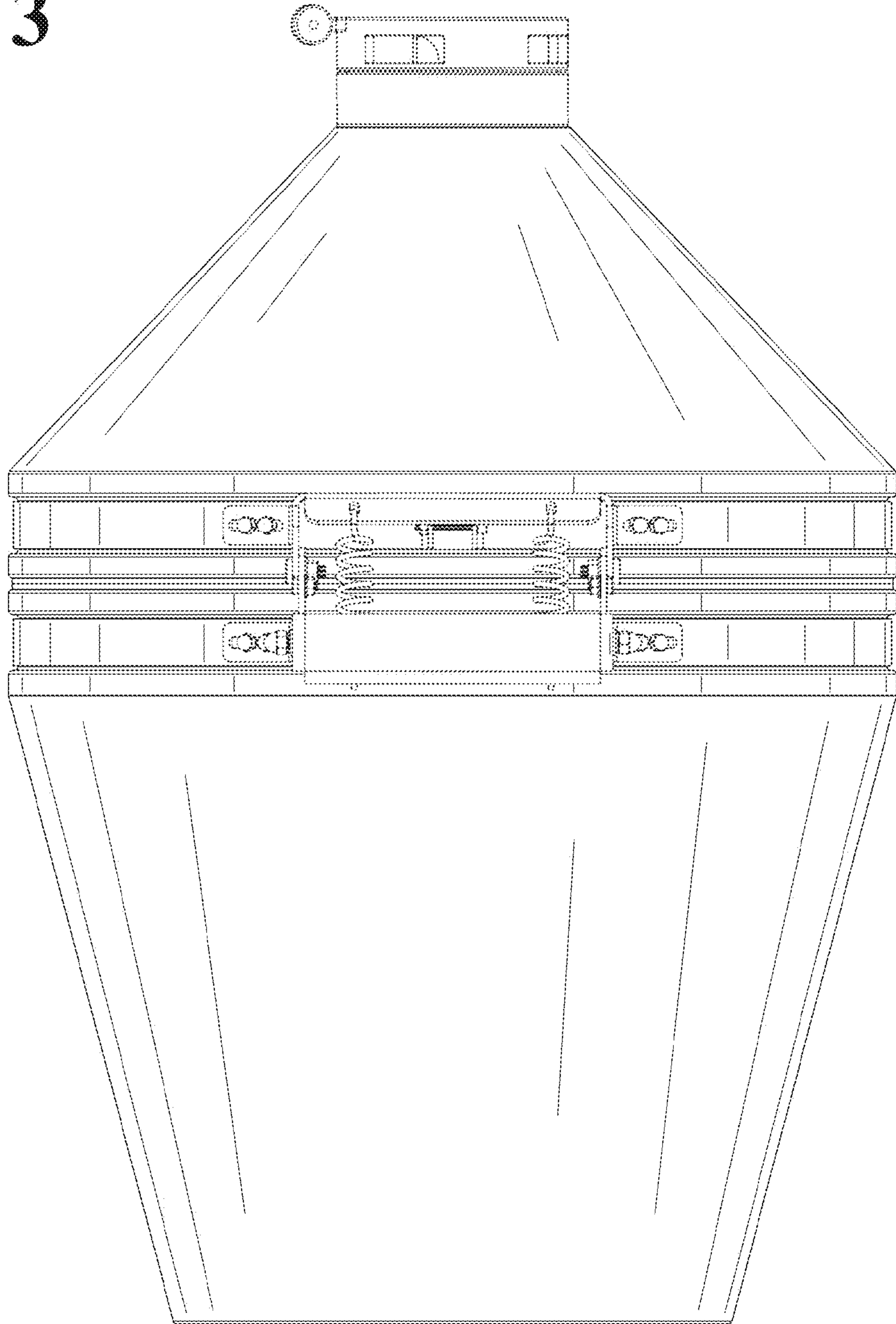
**Fig. 1**



**Fig. 2**



**Fig. 3**



**Fig. 4**

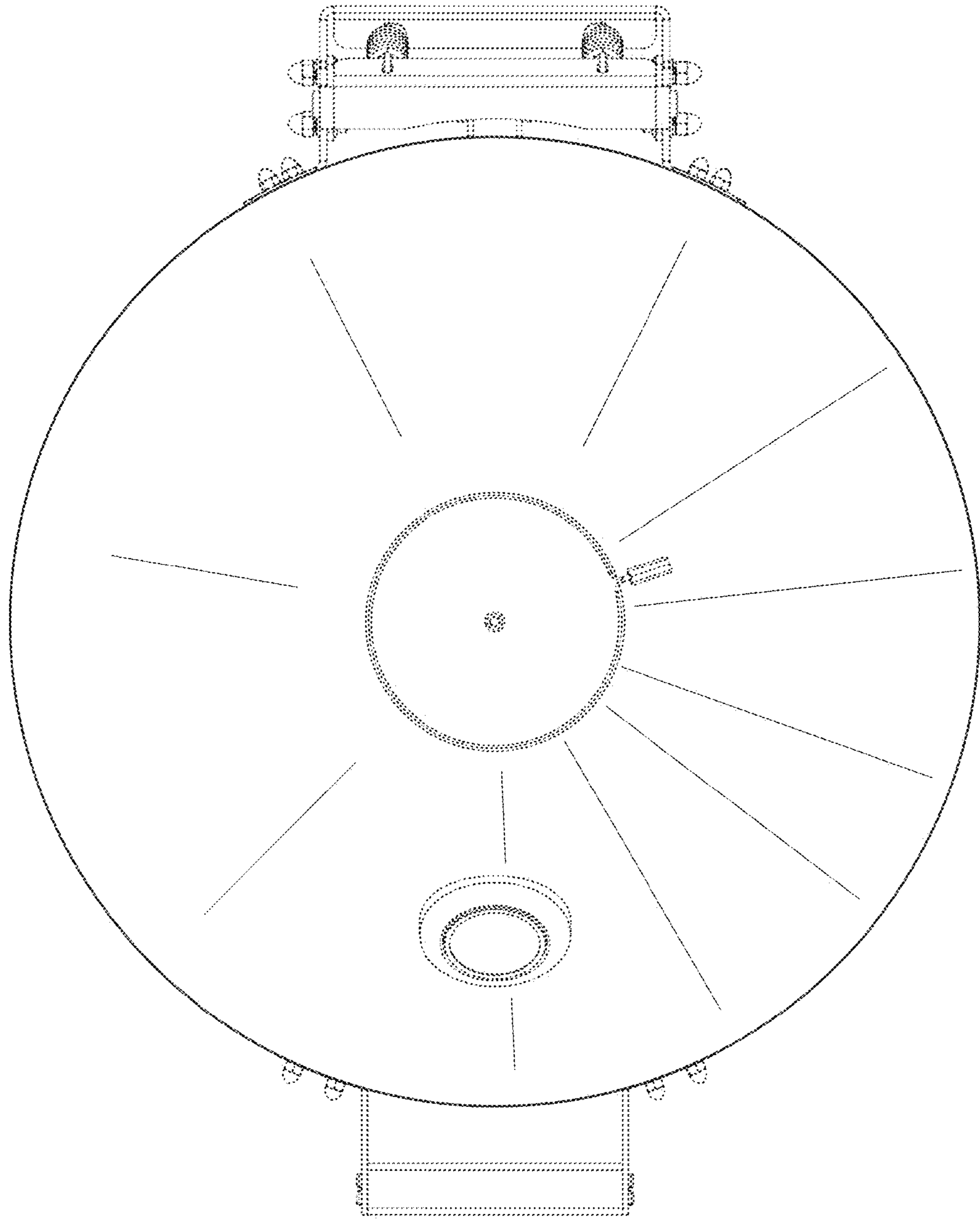
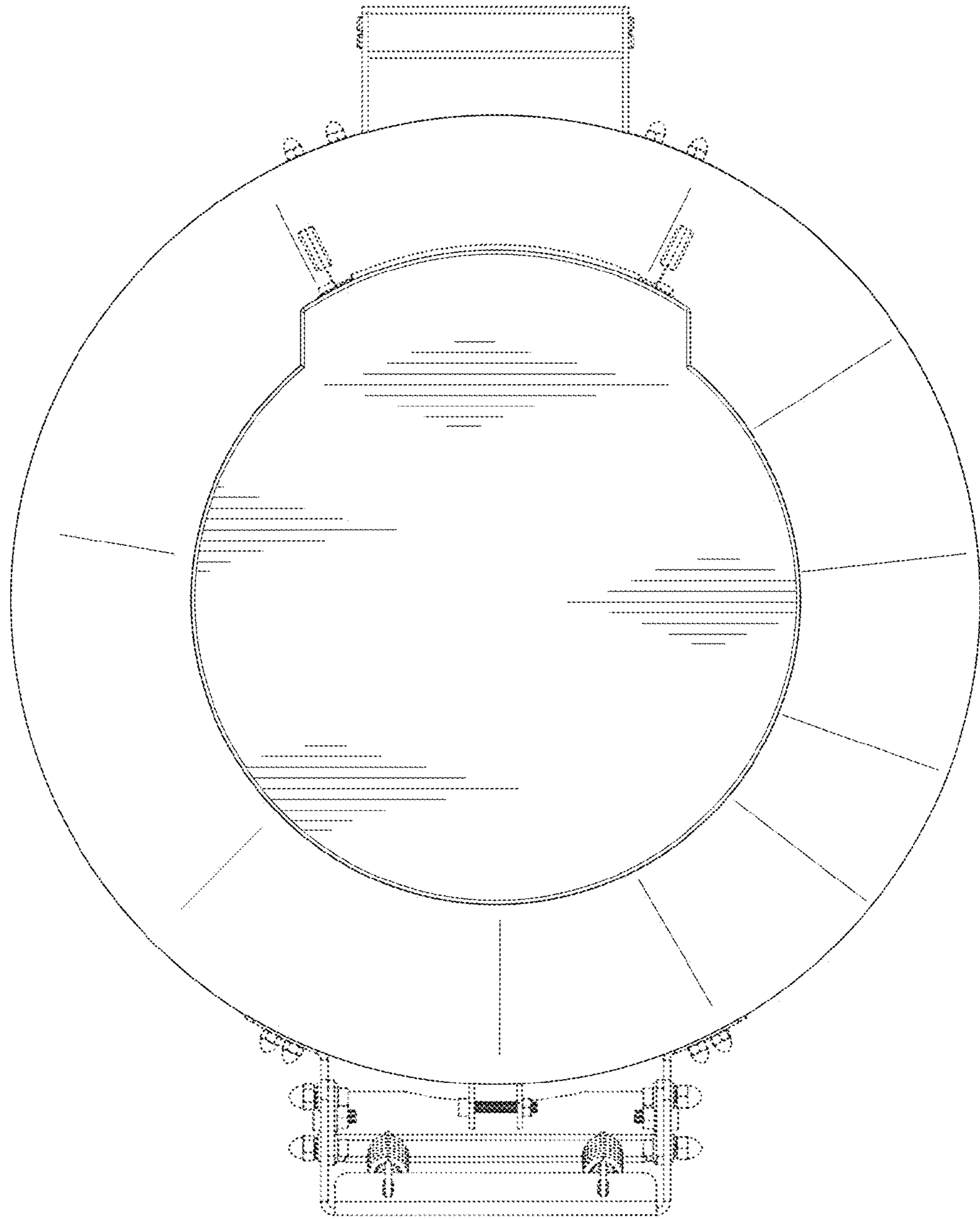
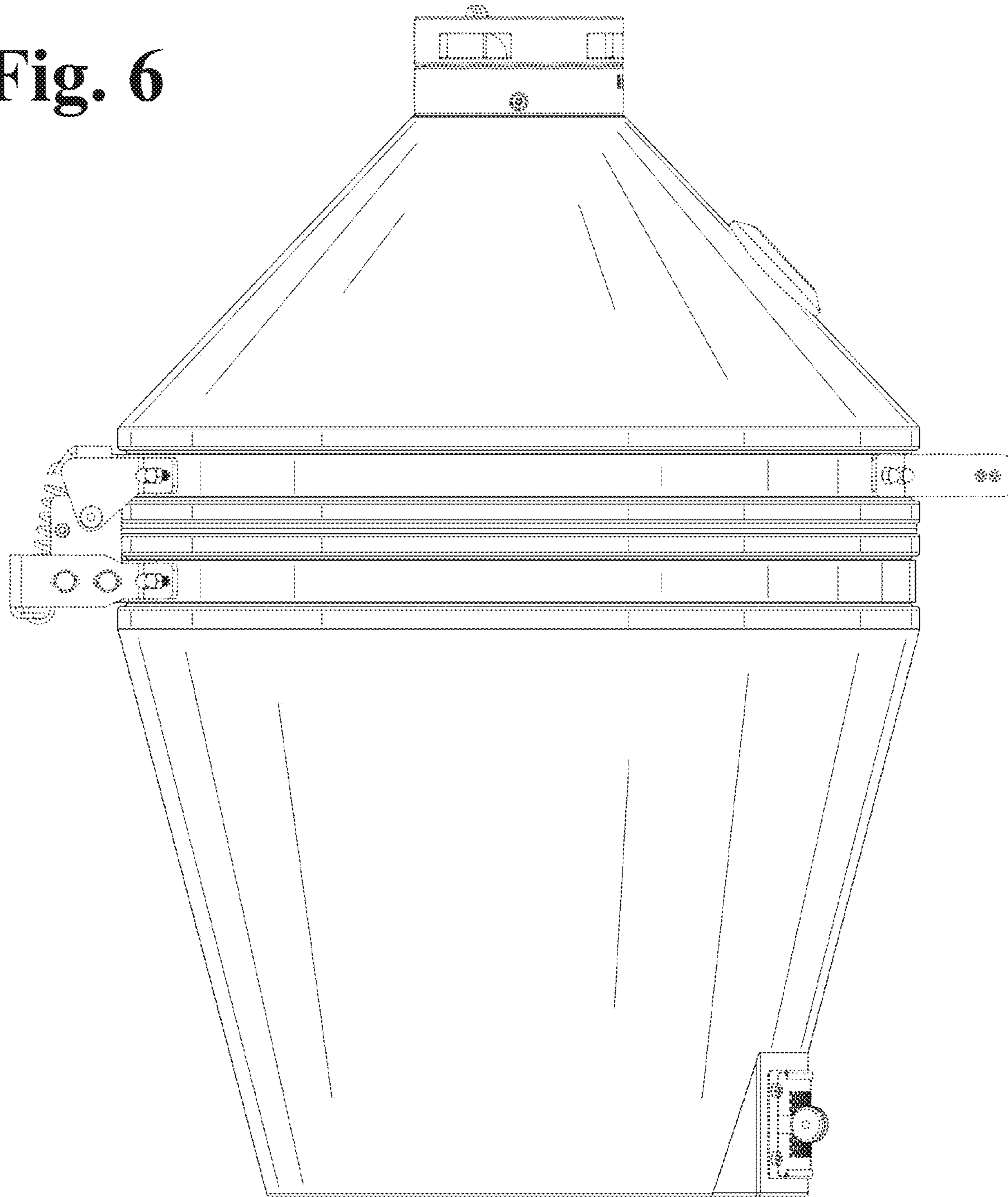


Fig. 5

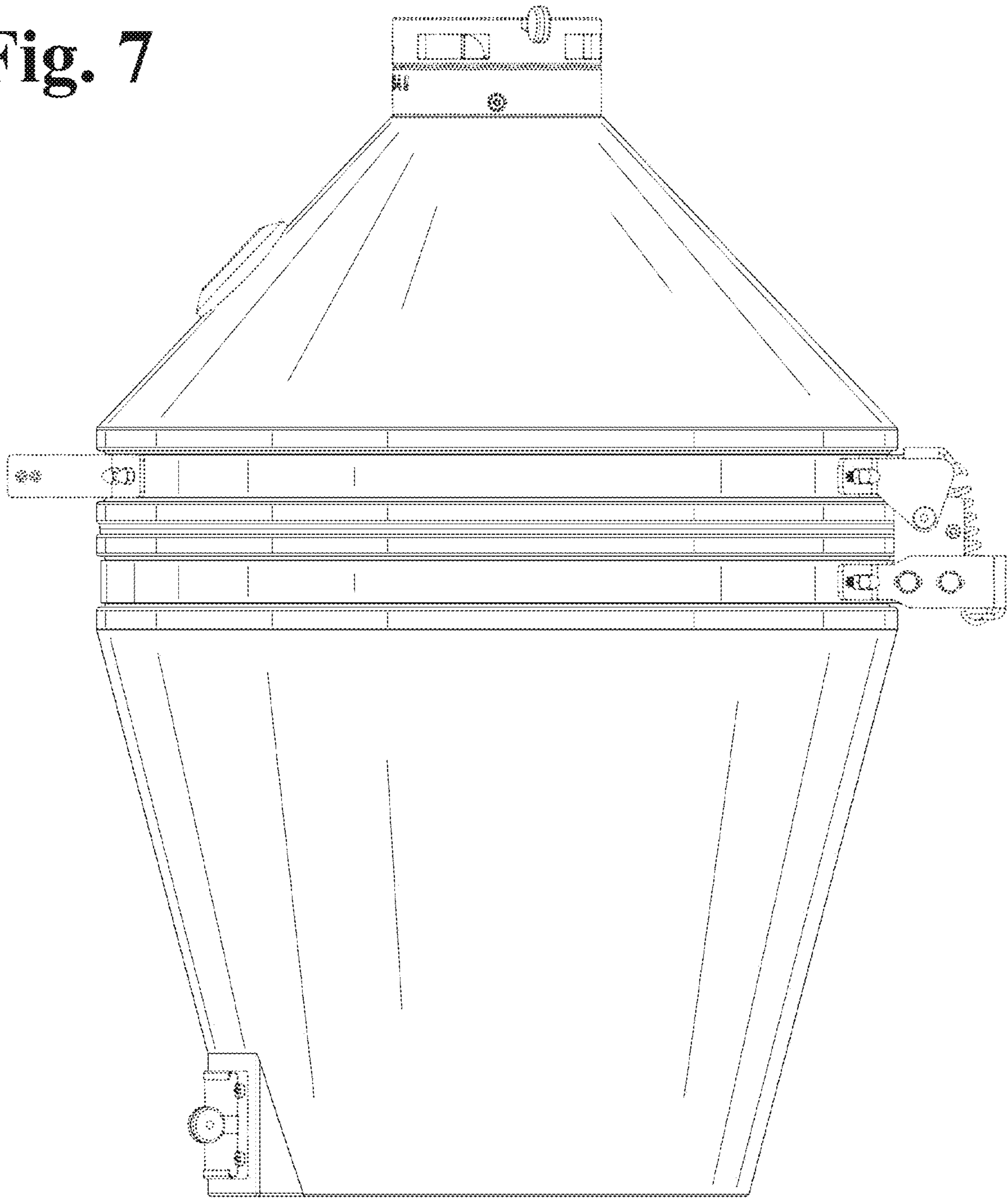


**Fig. 6**

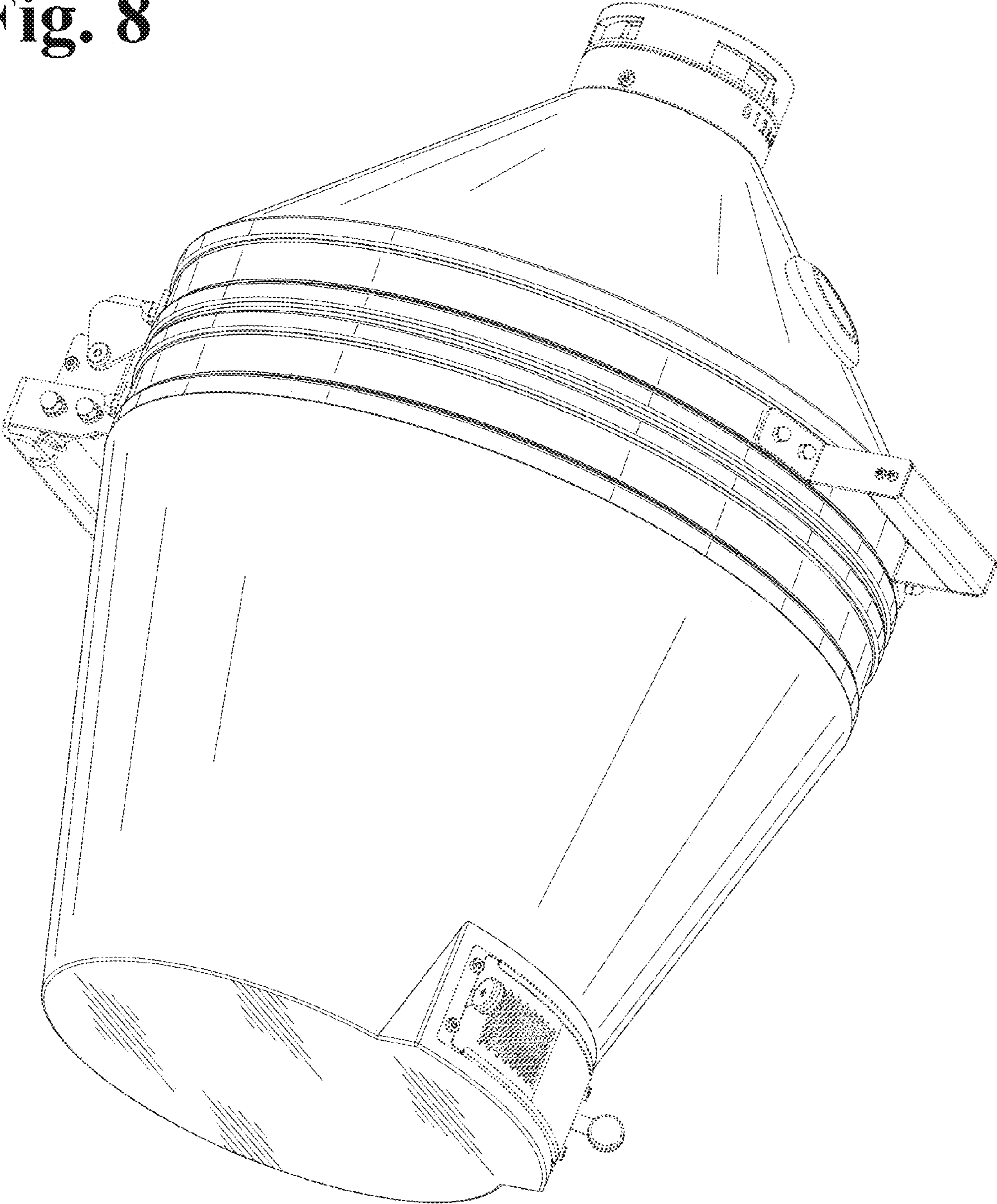




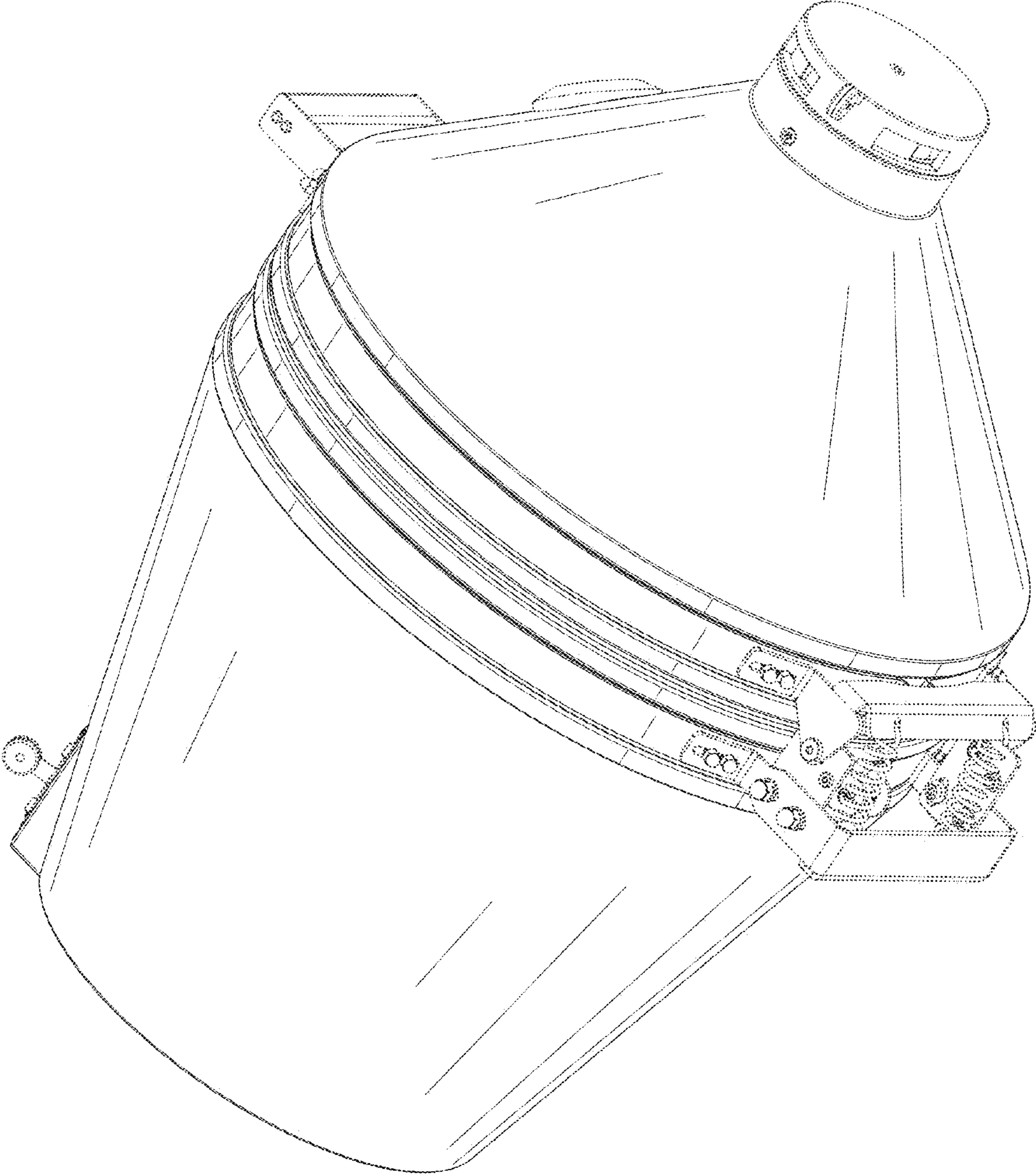
**Fig. 7**



**Fig. 8**



**Fig. 9**



**Fig. 10**

