



US00D925262S

(12) **United States Design Patent** (10) **Patent No.:** **US D925,262 S**
Yang (45) **Date of Patent:** **** *Jul. 20, 2021**

- (54) **VERTICAL GRILL**
- (71) Applicant: **Zhaohua Yang**, Guangdong (CN)
- (72) Inventor: **Zhaohua Yang**, Guangdong (CN)
- (73) Assignee: **Guangzhou Kay Machinery Technology Co., Ltd.**, Guangdong (CN)
- (*) Notice: This patent is subject to a terminal disclaimer.
- (**) Term: **15 Years**
- (21) Appl. No.: **29/741,155**
- (22) Filed: **Jul. 9, 2020**
- (51) **LOC (13) Cl.** **07-02**
- (52) **U.S. Cl.**
USPC **D7/331; D7/338**
- (58) **Field of Classification Search**
USPC D7/323, 331, 332, 337-339, 350.3, 409
CPC F24C 15/325; F24C 15/164; A47J 37/042-043
See application file for complete search history.

- (56) **References Cited**
U.S. PATENT DOCUMENTS
- D232,510 S * 8/1974 Liakouras D7/331
- D262,348 S * 12/1981 Levy D7/331
- 4,589,333 A * 5/1986 Murphy A47J 37/0688
99/419
- D292,863 S * 11/1987 Johansson D7/338
- D326,030 S * 5/1992 Silver D7/337
- D373,046 S * 8/1996 Newnan 99/286
- D381,552 S * 7/1997 Pizzey D7/332
- D391,799 S * 3/1998 Haring D7/338
- D459,143 S * 6/2002 Pasternak D7/338
- 6,837,149 B1 * 1/2005 Tsonakis A47J 37/046
99/339

- D521,801 S * 5/2006 Huxhold D7/393
- D535,845 S * 1/2007 King D7/332
- D634,965 S 3/2011 Martinez
- D751,853 S 3/2016 Buzick
- D789,728 S * 6/2017 Huang D7/337
- D820,025 S 6/2018 Yang
- D840,210 S * 2/2019 Kim D8/311
- D846,330 S 4/2019 Hong
- D848,204 S 5/2019 Chung
- D871,821 S 1/2020 Boltz et al.
- D874,864 S 2/2020 Lien
- D880,928 S * 4/2020 Jones D7/338
- 2010/0199855 A1 * 8/2010 Georgis A47J 37/043
99/421 V

OTHER PUBLICATIONS

Li Bai Doner Kebab Shawarma Machine, Mar. 6, 2020, Amazon, <https://www.amazon.com/Shawarma-Commercial-Rotisserie-Stainless-Restaurant/dp/B085LBDYXY> (Year: 2020).*

Li Bai Doner Kebab Shawarma Machine, Jan. 2, 2020, Amazon, <https://www.amazon.com/Li-Bai-Commercial-Stainless-Restaurant/dp/B083DR86M8> (Year: 2020).*

(Continued)

Primary Examiner — Brett Miller

(57) **CLAIM**

The ornamental design for a vertical grill, as shown and described.

DESCRIPTION

FIG. 1 is a perspective view of a vertical grill showing my new design;

FIG. 2 is a front elevation view thereof;

FIG. 3 is a rear elevation view thereof;

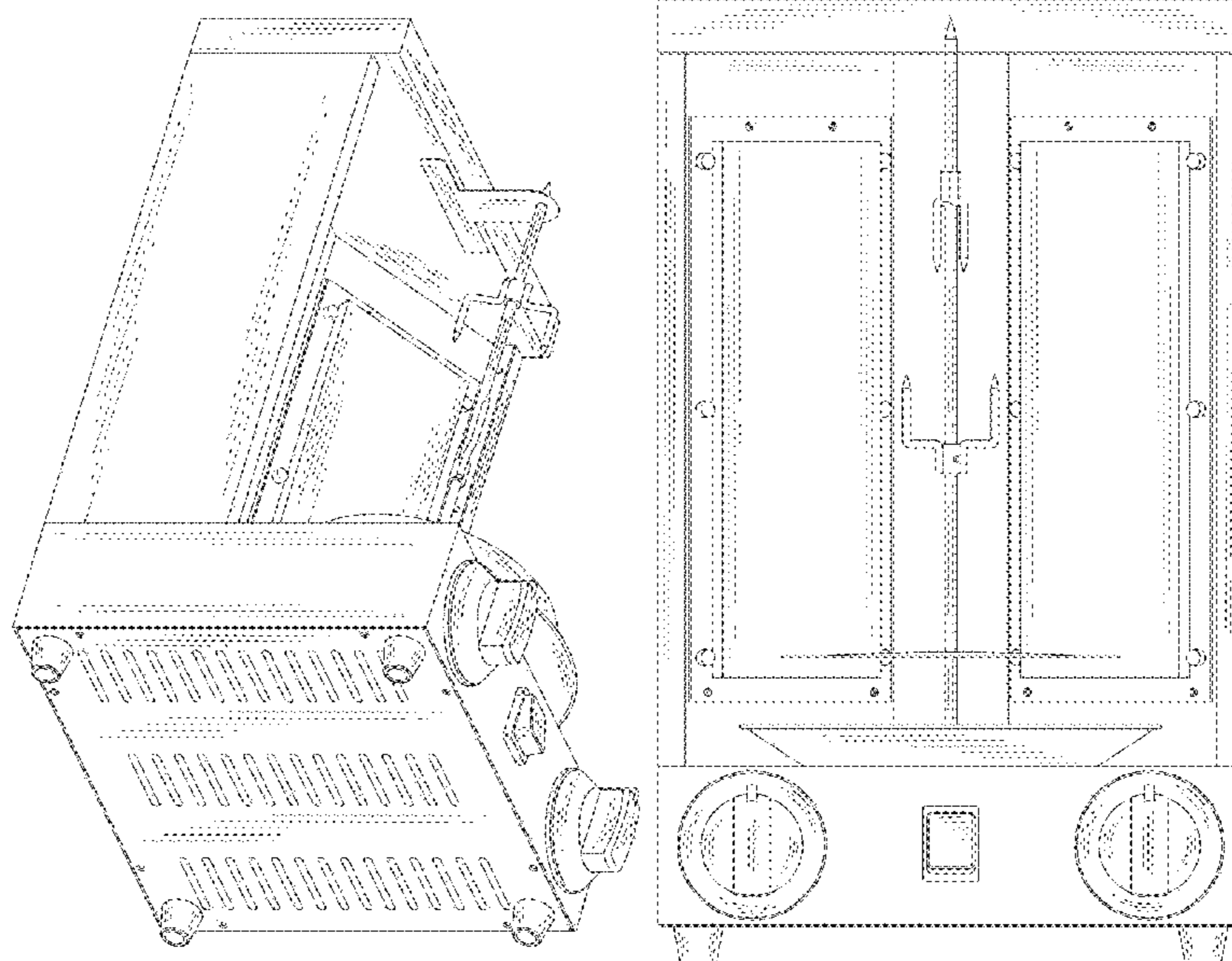
FIG. 4 is a left side elevation view thereof;

FIG. 5 is a right side elevation view thereof;

FIG. 6 is a top plan view thereof; and,

FIG. 7 is a bottom plan view thereof.

1 Claim, 7 Drawing Sheets



(56)

References Cited

OTHER PUBLICATIONS

Top 9 Best Vertical Rotisseries in 2020, Dec. 27, 2019, Kitchen Gearzone, <https://www.kitchengearzone.com/vertical-rotisseries-reviews/> (Year: 2019).*

Aistan, GB25/EB25 Electric/LPG gas kebab machine, Jul. 4, 2020 (earliest review), Aliexpress, <https://www.aliexpress.com/item/4000075990820.html> (Year: 2020).*

* cited by examiner

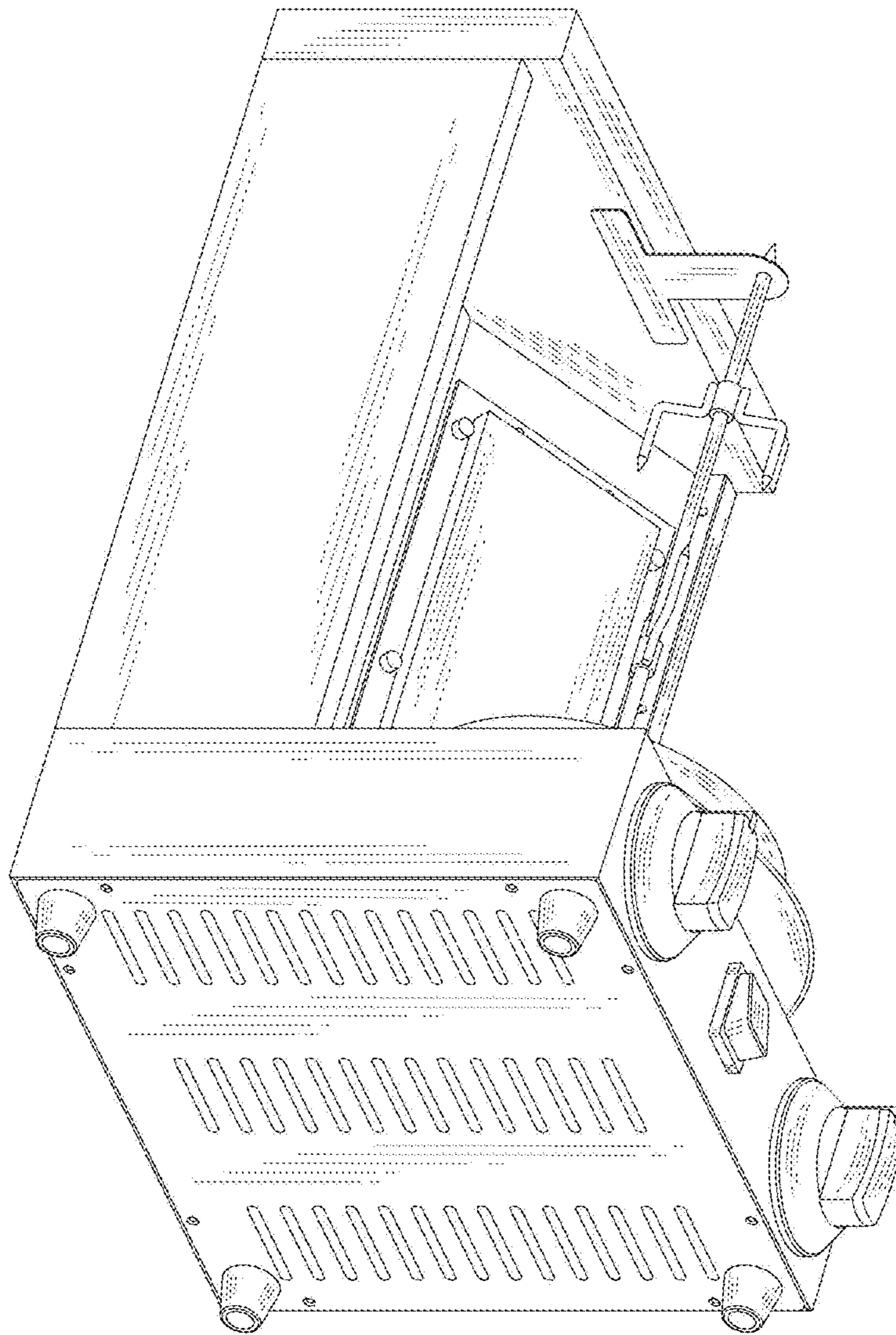


FIG.1

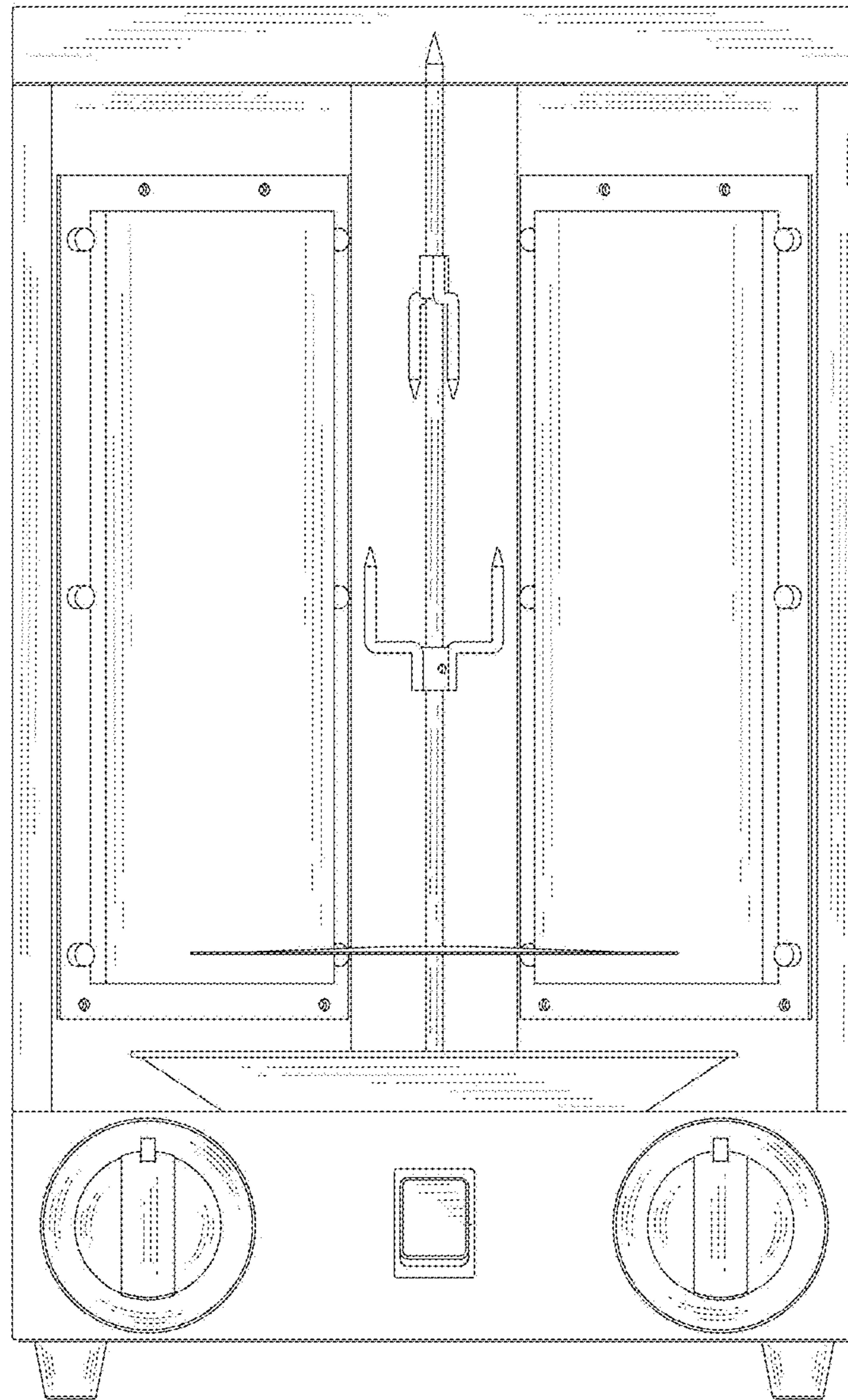


FIG.2

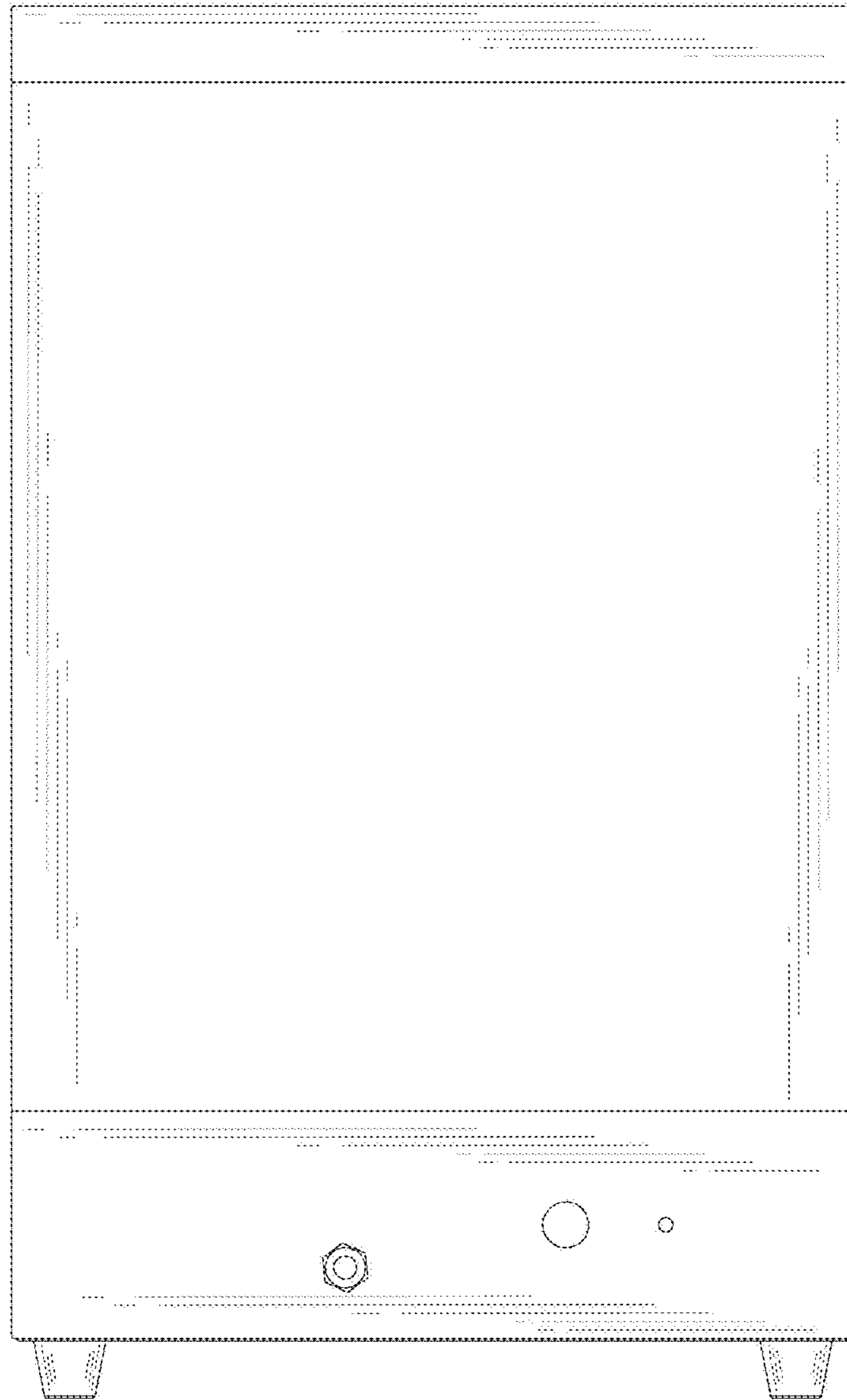


FIG.3

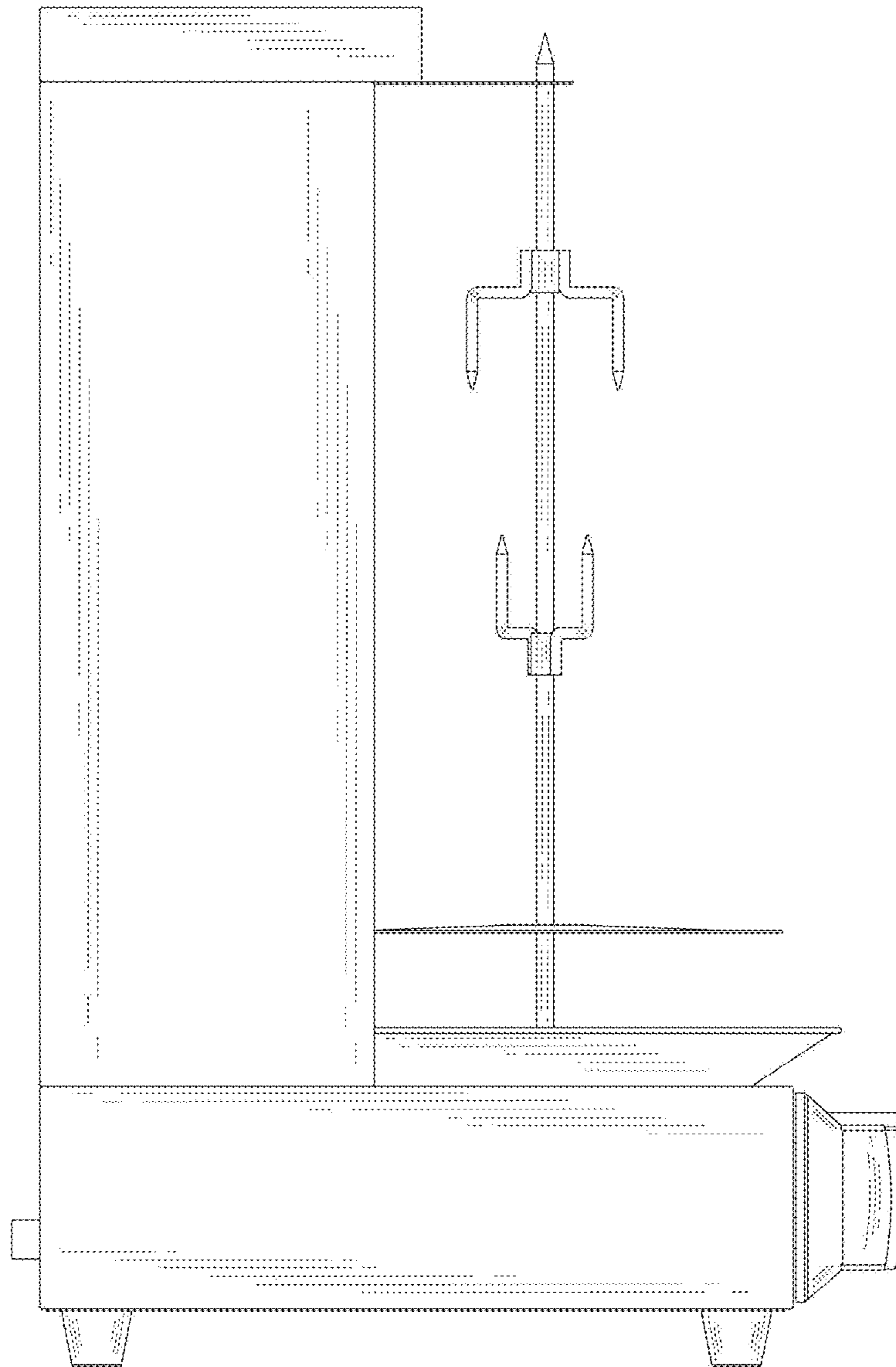


FIG.4

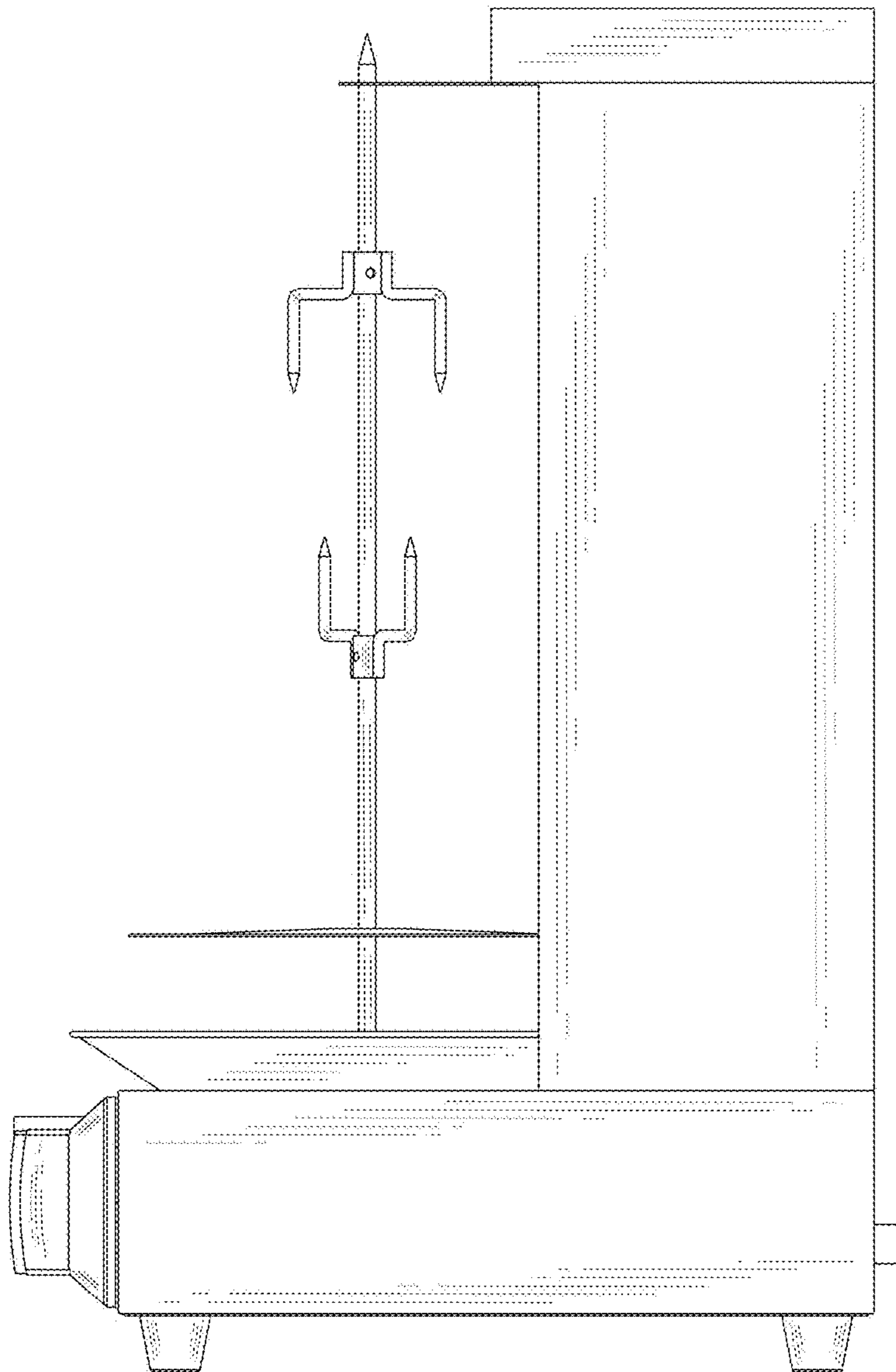


FIG.5

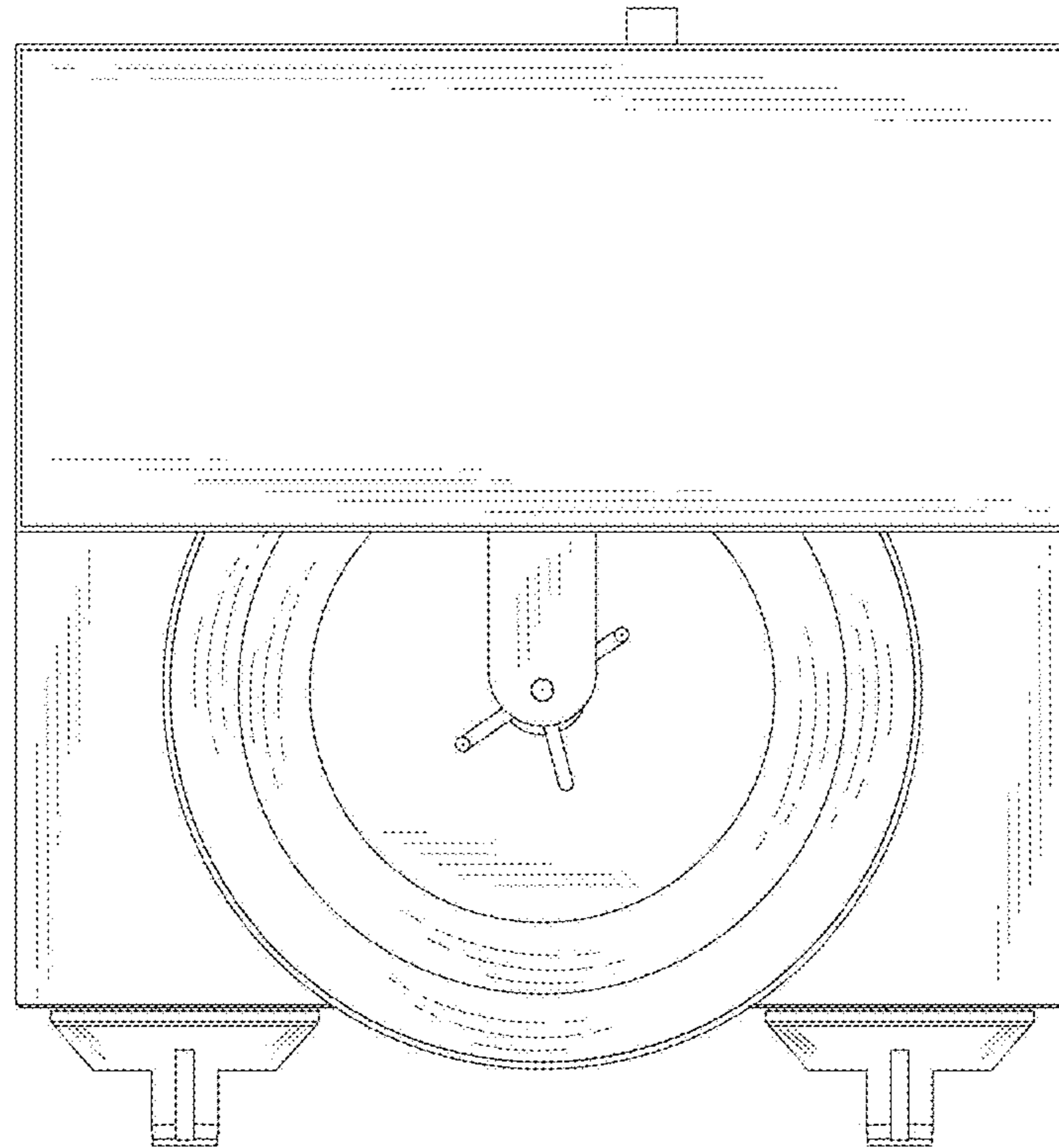


FIG.6

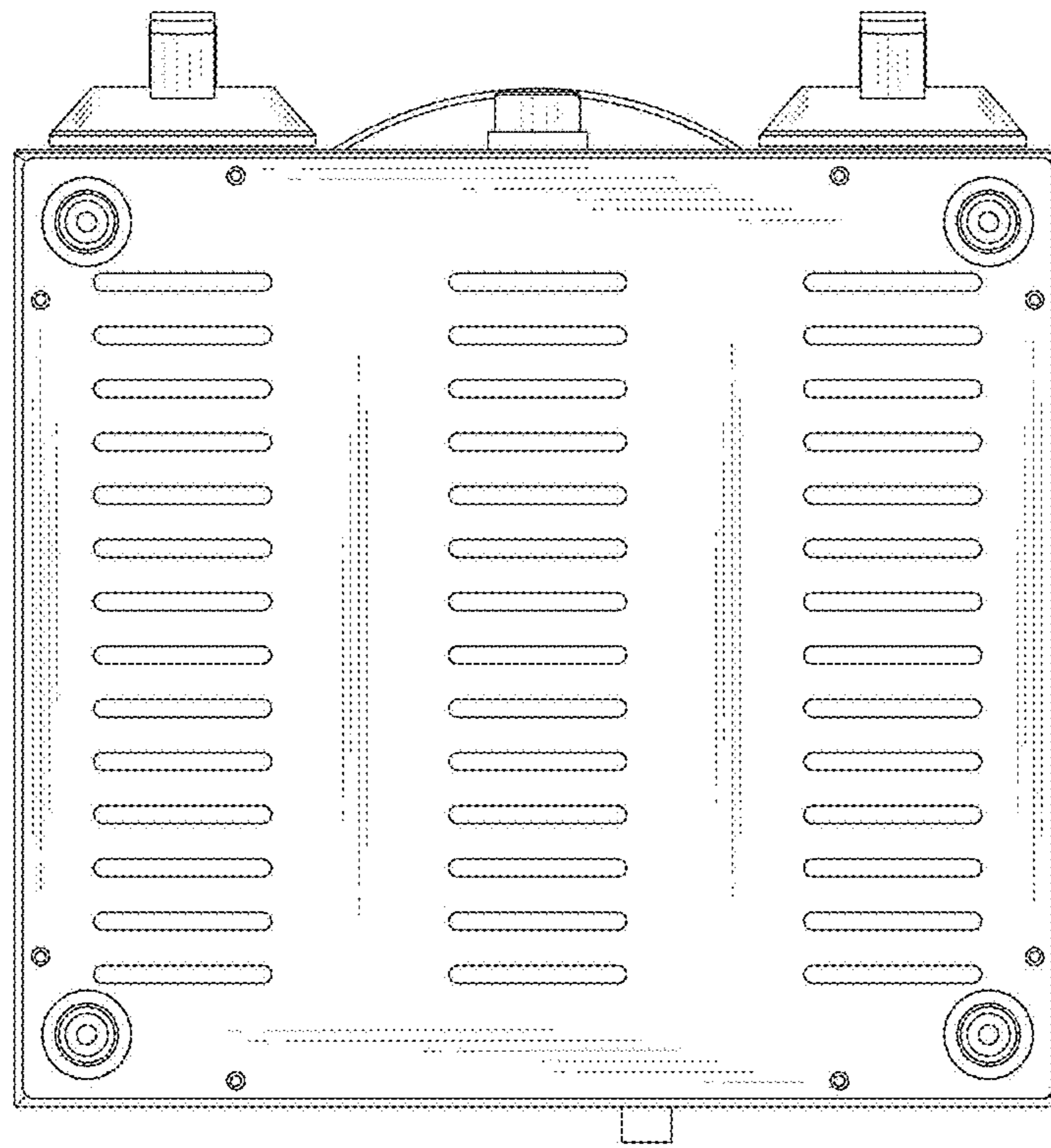


FIG. 7