



US00D925257S

(12) **United States Design Patent**  
**Amendt**

(10) **Patent No.:** **US D925,257 S**

(45) **Date of Patent:** **\*\* Jul. 20, 2021**

(54) **RACK**

(71) Applicant: **Efficient Lab Innovations LLC**,  
Camarillo, CA (US)

(72) Inventor: **Christine Adrienne Amendt**,  
Camarillo, CA (US)

(73) Assignee: **Hardy Diagnostics**, Santa Maria, CA  
(US)

(\*\*) Term: **15 Years**

(21) Appl. No.: **29/716,015**

(22) Filed: **Dec. 5, 2019**

(51) **LOC (13) Cl.** ..... **06-06**

(52) **U.S. Cl.**  
USPC ..... **D6/675.5**

(58) **Field of Classification Search**  
USPC ..... D6/672, 673, 675, 675.1, 678, 678.1,  
D6/678.4, 680.2, 680.3, 681.1, 681.2,  
D6/682, 682.2, 682.4; D24/224,  
D24/227-228; D3/304, 306, 307, 314  
CPC ..... A47B 55/02; A47G 19/08; A47F 5/0018;  
A47F 5/101; A47F 7/0057; A47F 7/0064;  
A47J 47/16

See application file for complete search history.

(56) **References Cited**

**U.S. PATENT DOCUMENTS**

D100,442 S *	7/1936	Sherrick	.....	D24/228
D167,356 S *	7/1952	Jensen	.....	D6/675.5
D182,404 S *	4/1958	Dickson	.....	D6/675.5
D236,840 S *	9/1975	Farrough	.....	D24/228
D237,849 S *	12/1975	Hale	.....	D6/678.4

D278,497 S *	4/1985	Walpin	.....	D6/675.5
4,705,178 A *	11/1987	Vail, Sr.	.....	A47F 5/01 206/513
D329,954 S *	10/1992	Sharon	.....	D6/675.5
D736,566 S *	8/2015	Tsai	.....	D7/601
D785,812 S *	5/2017	Pattison	.....	D24/228
D821,166 S *	6/2018	Chu	.....	D7/704
D835,439 S *	12/2018	Tsai	.....	D6/678.4
D846,319 S *	4/2019	Min	.....	D6/675.2
D850,169 S *	6/2019	Tsai	.....	D6/678.4
D891,832 S *	8/2020	Min	.....	D6/675.2
D910,349 S *	2/2021	Kurlander	.....	D6/678.4
D913,734 S *	3/2021	Sabounjian	.....	D6/675.2

\* cited by examiner

*Primary Examiner* — Kelley A Donnelly

(57) **CLAIM**

The ornamental design for a rack, as shown and described.

**DESCRIPTION**

A portion of the disclosure of this patent document contains material to which a claim for copyright is made. The copyright owner has no objection to the facsimile reproduction by anyone of the patent document or the patent disclosure, as it appears in the Patent and Trademark Office patent file or records, but reserves all other copyright rights whatsoever.

FIG. 1 is a top perspective view of a rack.

FIG. 2 is a left-side view the rack of FIG. 1.

FIG. 3 is a right-side view of the rack of FIG. 1.

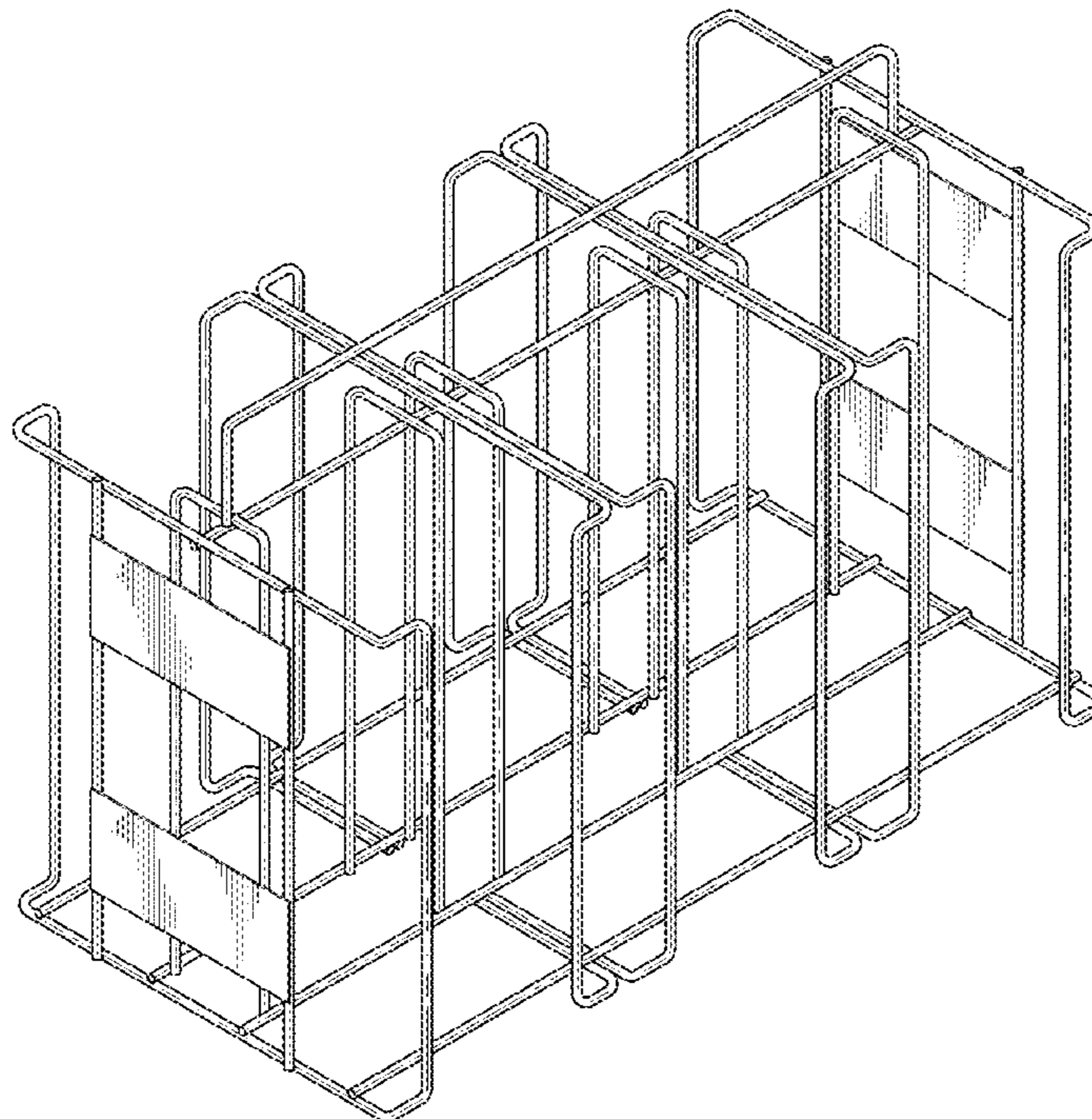
FIG. 4 is a top view of the rack of FIG. 1.

FIG. 5 is a bottom view of the rack of FIG. 1.

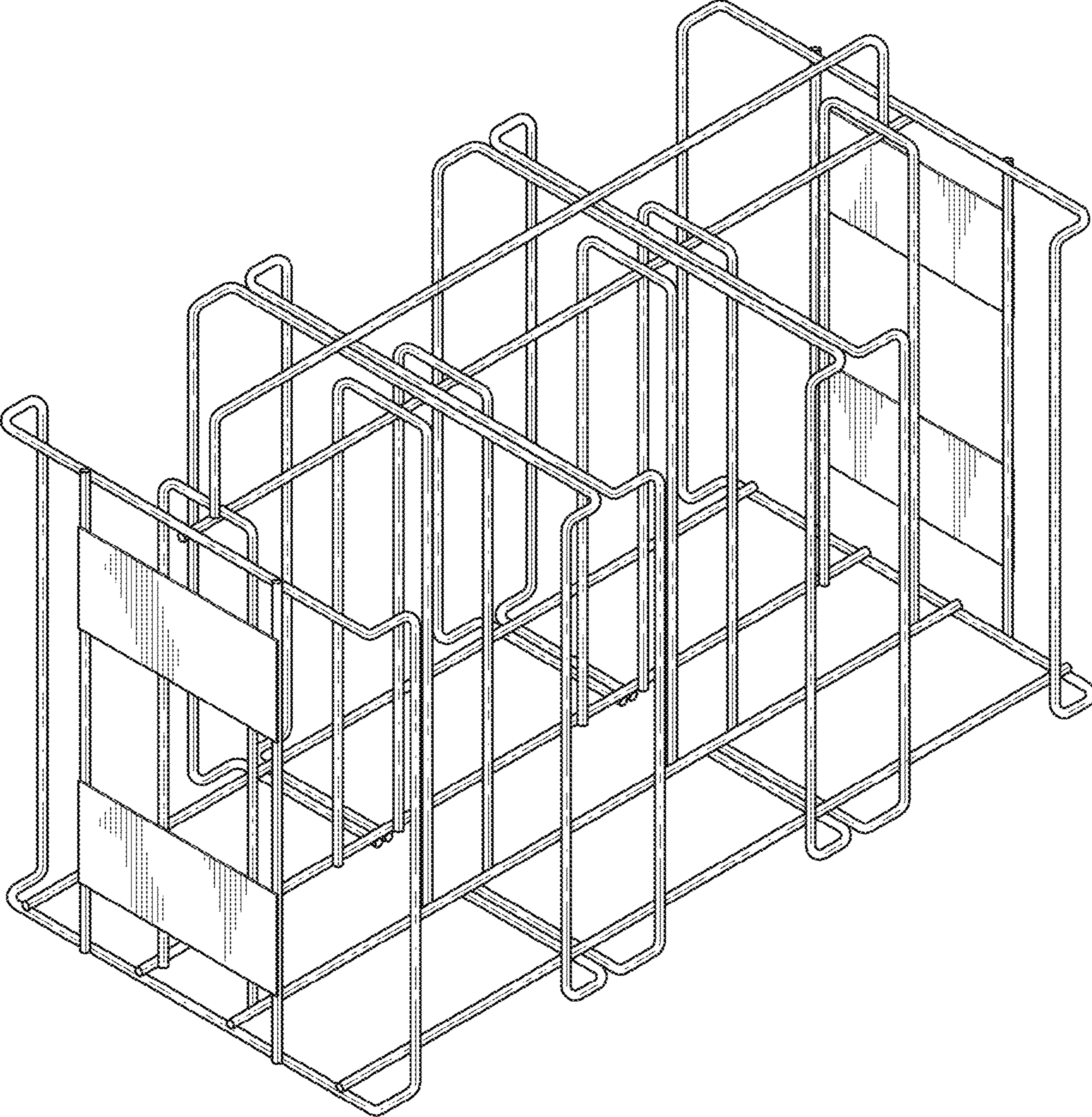
FIG. 6 is a front view of the rack of FIG. 1; and,

FIG. 7 is a back view of the rack of FIG. 1.

**1 Claim, 6 Drawing Sheets**



*FIG. 1*



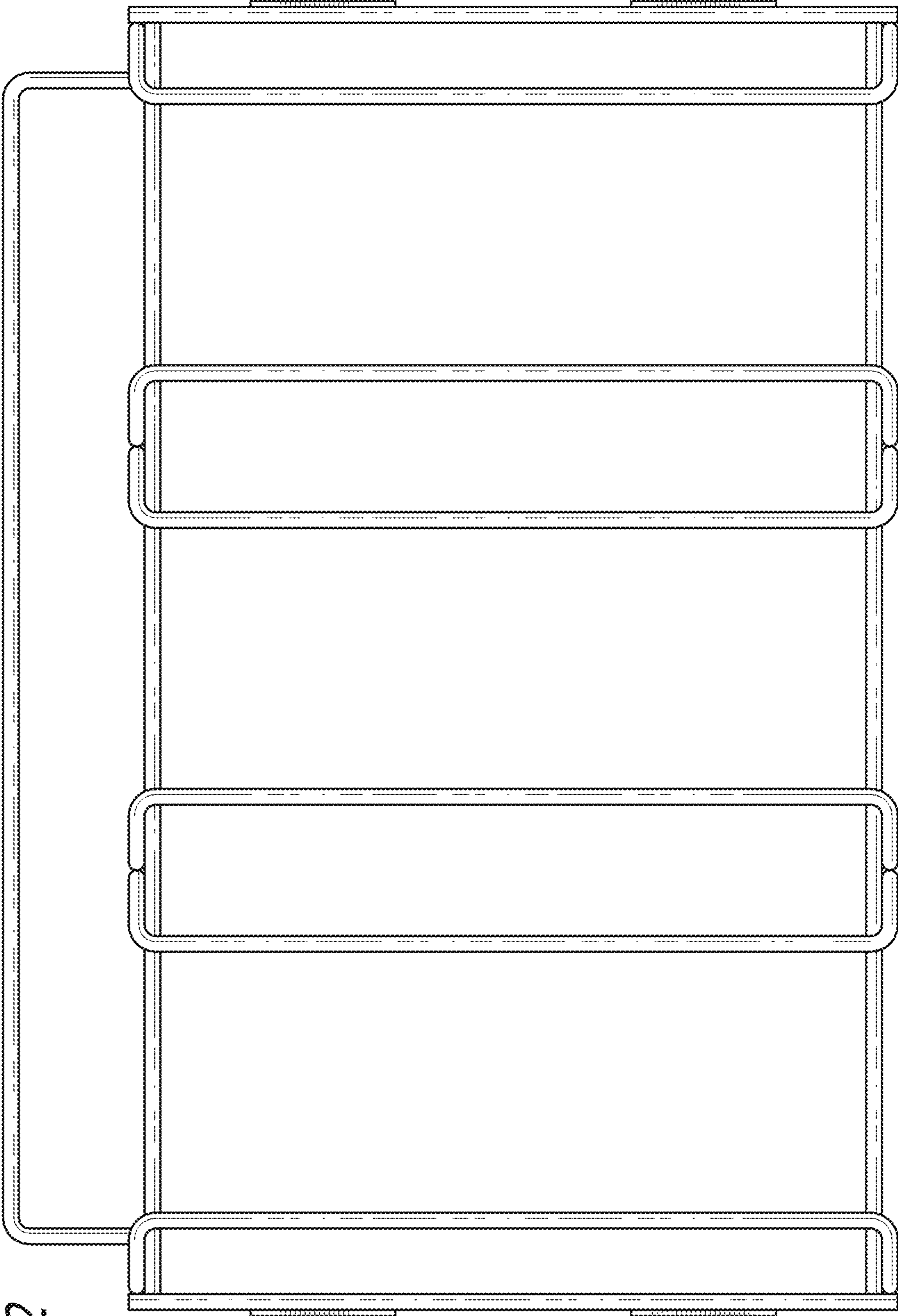


FIG. 2

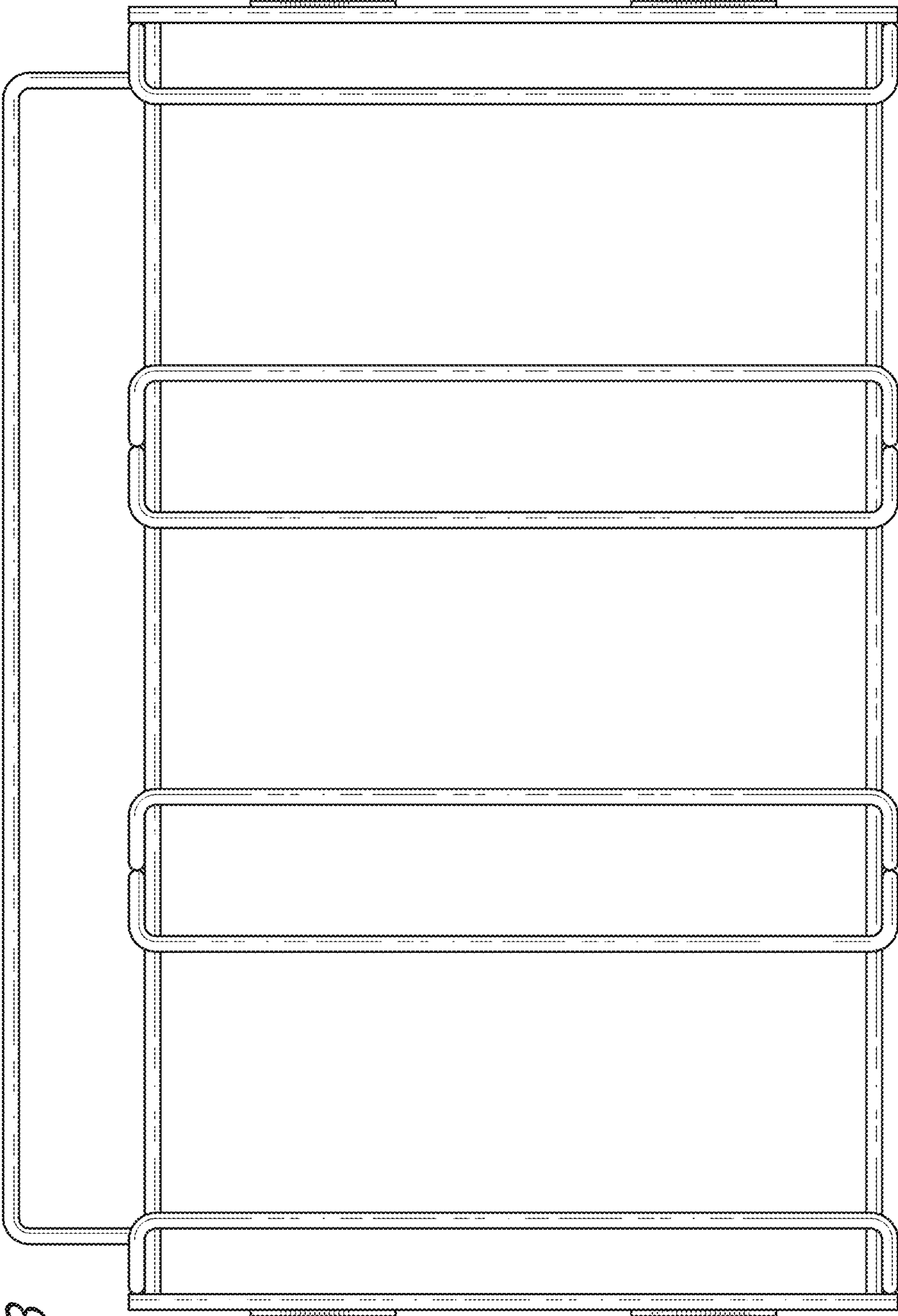


FIG. 3

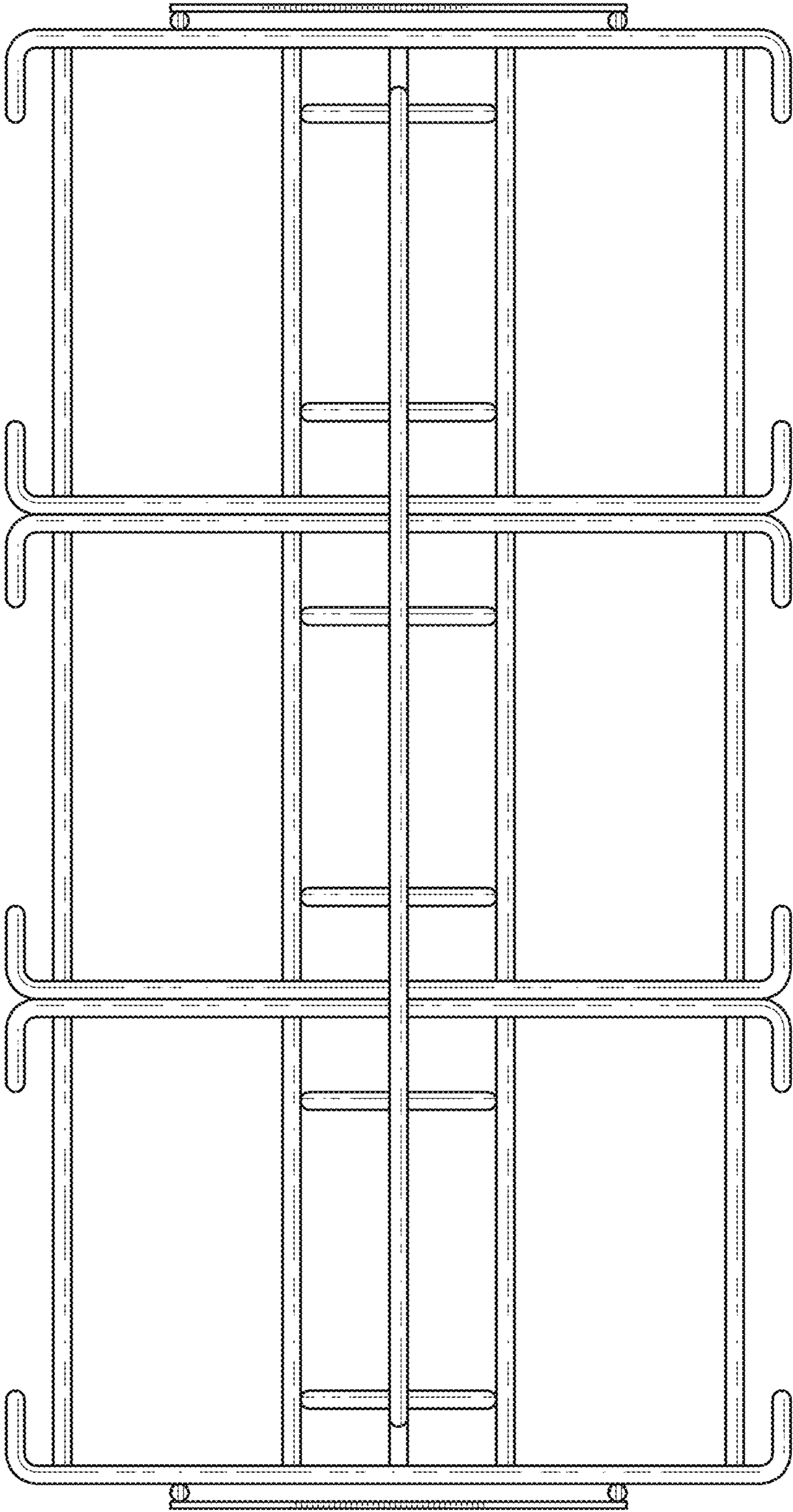


FIG. 4

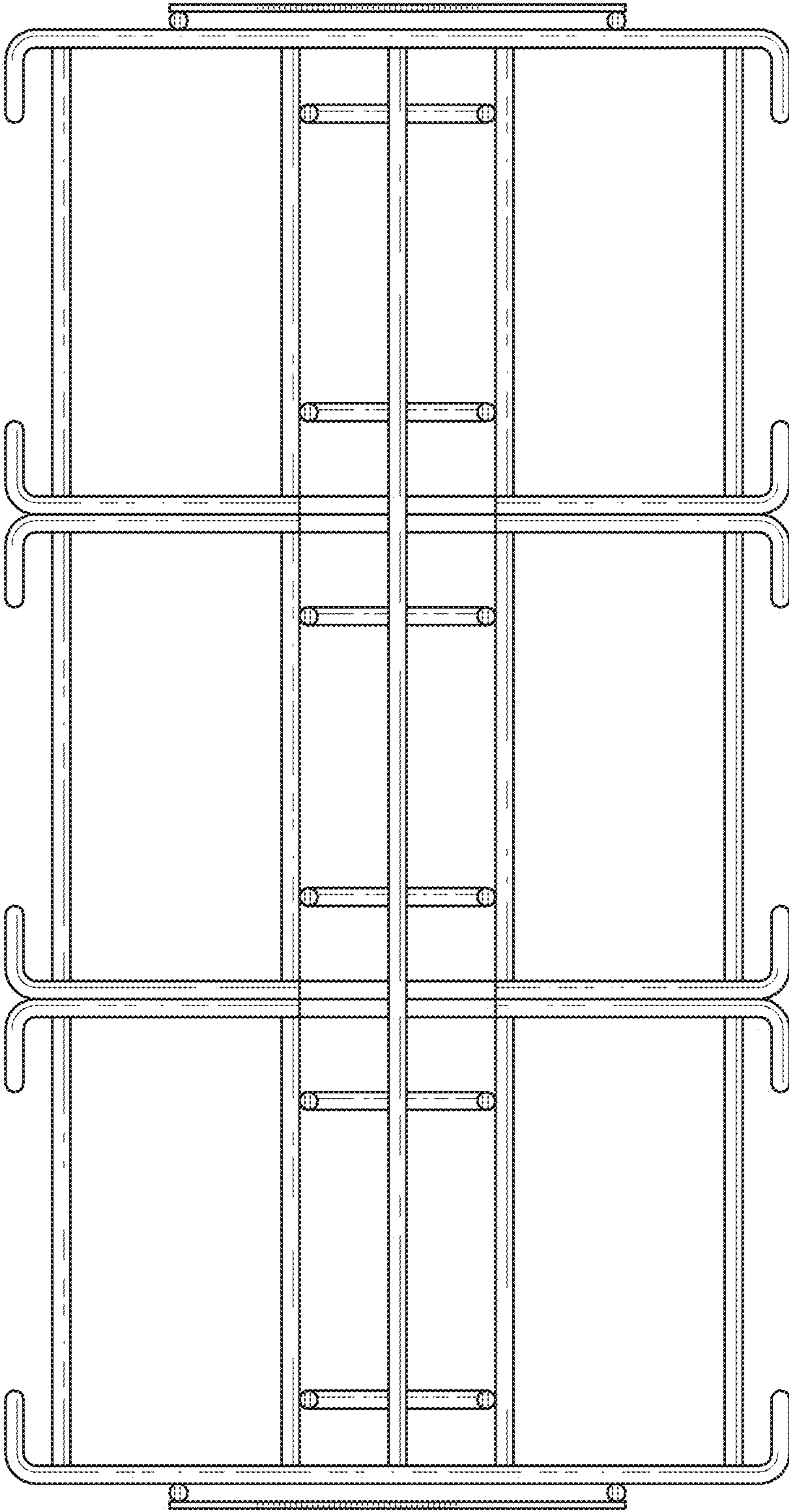


FIG. 5

FIG. 7

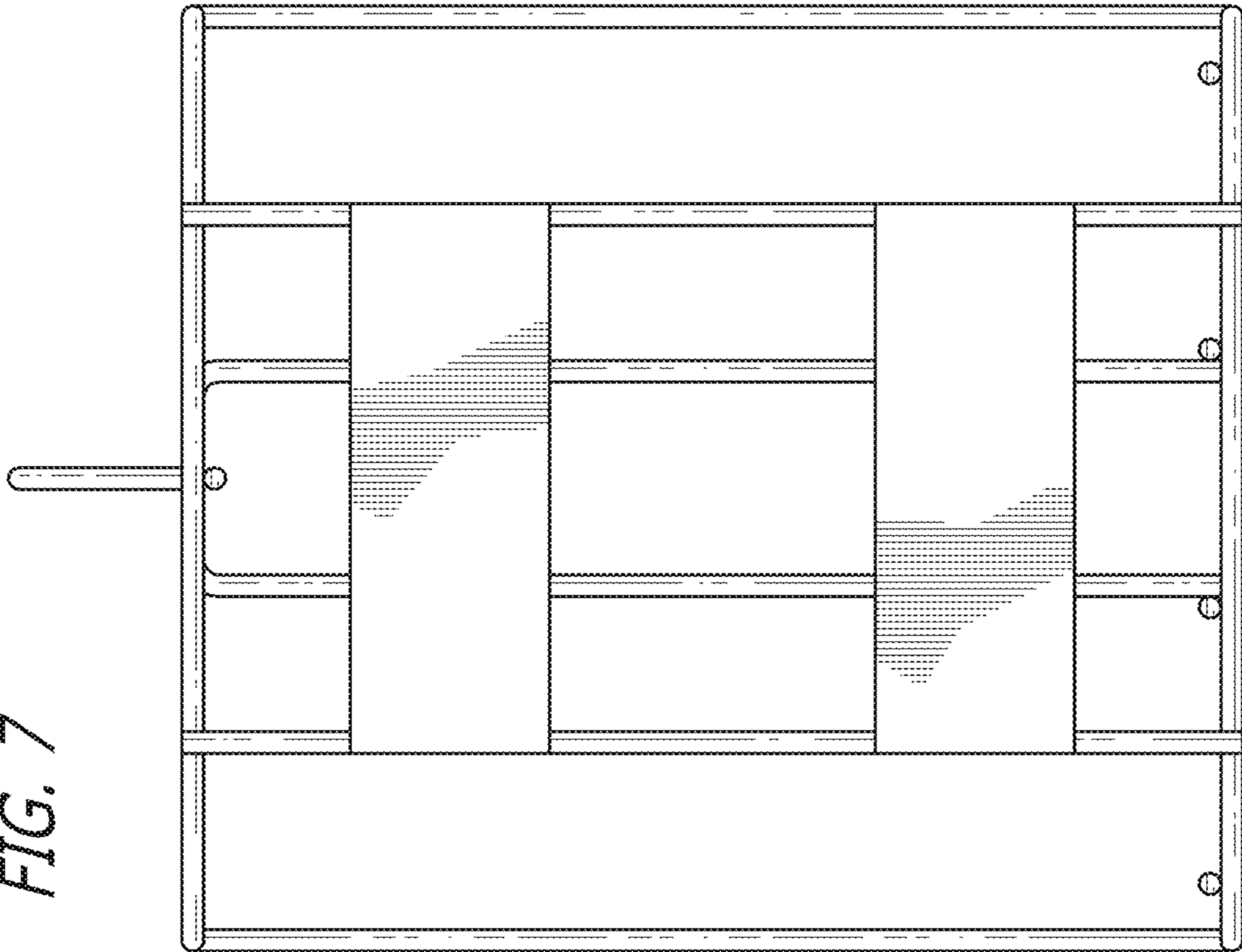


FIG. 6

